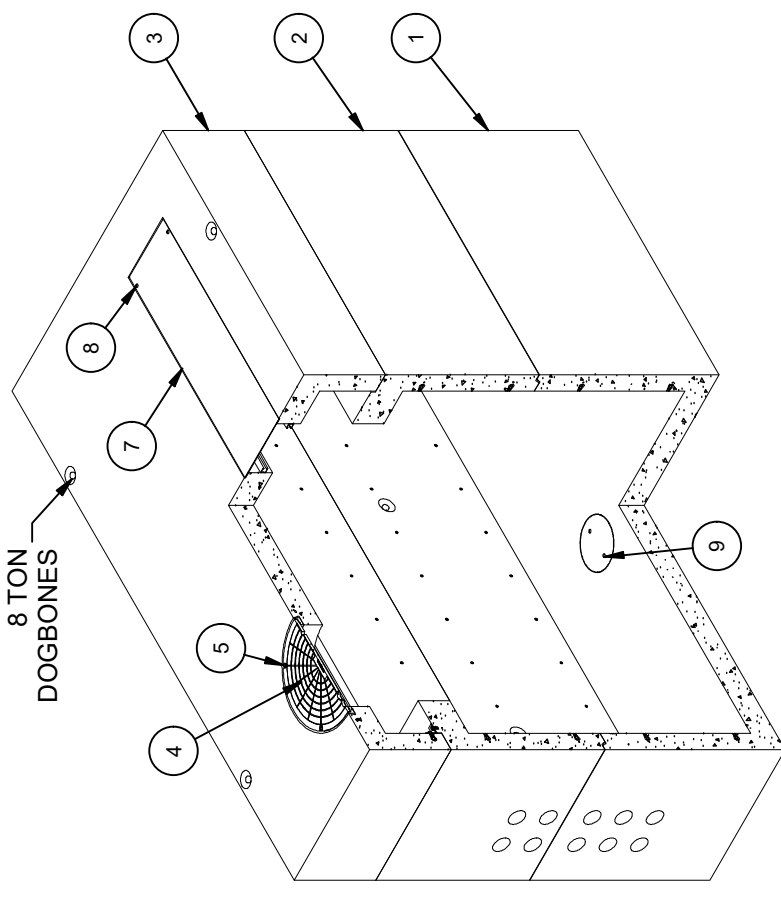


DESIGN NOTES

- DESIGNED IN ACCORDANCE WITH AASHTO HS20-44 TRAFFIC BRIDGE LOADING USING 5,500 PSI COMPRESSIVE STRENGTH CONCRETE AND 60,000 PSI YIELD STRENGTH ASTM A-706 STEEL REINFORCEMENT PER CALCS. #33436.
- MINIMUM EXCAVATION SIZE: 9'-0" X 17'-0" DEPTH REQ'D.
- VAULT TO BE PLACED ON A MIN. 6" BASE OF CRUSHER RUN FOR EASE OF INSTALLATION AND EVEN LOAD DISTRIBUTION.
- FINISH COATING: ALL INTERIOR WALLS AND CEILING SHALL BE PAINTED WHITE.
- ALL PARTS TO BE STENCILED: MFG DATE / JOB NUMBER / PRODUCT ID / WEIGHT.
- FOR COMPLETE DESIGN AND PRODUCT INFORMATION CONTACT JENSEN PRECAST.
- REFERENCE UGS SS 541 7x14x11 TYPE 1.

BILL OF MATERIALS

ITEM	UNIT QTY	QTY	PART NUMBER	DESCRIPTION	MASS (lb)
1	1	1	200017101	Vault 84168x48 Rect. Bottom Section Terminators Sump Edison UGS SS541 TYPE 1 & 2	25054
2	1	1	200017319	Vault 84168x42 Rect. Top Section Terminators Edison UGS SS541 TYPE 1 & TYPE 2	18314
3	1	1	200017179	Vault 84168x18 Rect. Top Section 30"E Edison UGS SS541 TYPE 1	15327
4	1	1	100006912	CI COVER 30DIA NF R-1581-0175 ASTM A48 CL35B BP B/D EDISON	224
5	1	4	100022412	PENTA BOLT 5/8-11 UNC 1-5/8 HD 304SS	
6	1	1	100008122	PLUG PICKHOLE NEOPRENE RUBBER CI COVER ED/LA	
7	1	1	200086054	DAS1-SD-1696-DX-DP-G-BD-TEMPORARY	167
8	1	4	100008098	BOLT ALLEN HD 1/2X1-1/2	
9	1	1	100006783	SUMP COVER FOR 13"SUMP(15"OD)GALV DIA PLATE	
10	1	6	100008133	ANGLE CLIP 3-1/2X3-1/2 1/4X3 316SS	
11	1	12	100004330	BOLT HEX 1/2-13 UNC 1.50 304SS	
12	1	12	100007135	WASHER FLAT 1/2 REGULAR TYPE A 304SS	
13	1	4	100022758	GROUND ANCHOR BRACKET KIT HALO HB304R	
14	1	4	100004320	BOLT HEX 1/2-13 UNC 1 304SS	
15	1	2	100044668	STRUT SLOTTED C-CHANNEL 1-5/8 X 1-5/8 12GA SHORT SLOT BOLT-ON 316SS - 132IN	
16	1	2	100044669	STRUT SLOTTED C-CHANNEL 1-5/8 X 1-5/8 12GA SHORT SLOT BOLT-ON 316SS - 92IN	
17	1	40	100007134	WASHER FLAT 1/2 REGULAR TYPE A 316SS	
18	1	40	100008101	SCREW BUTT HEAD CAP 1/2-12 2 304SS	
19	1	9	100002527	CABLE RACK 18 HOLE GALV TABS	
20	1	18	100003939	BOLT HEX 1/2-13 UNC 2.5 316SS	
21	3.500 gal	3.500 gal	100006420	COATING PAINT LATEX WHITE	
22	1	1	100005749	SEALANT JOINT BUTYL RUBBER ASTM C-990 AND M198 CS-102 1IN EQUIV X14.5FT PER BOX 118FT	



ISOMETRIC VIEW

LIFTING NOTES

- FIELD INSTALLATION: PLANT DEMOLDING: MINIMUM HANDLING CONCRETE STRENGTH F'c = 5500 PSI RIGGING EQUALIZER REQUIRED TO EQUALIZE LOAD TO 4 LIFTING POINTS WITH A SLING ANGLE BETWEEN 60° AND 90°

BURY DEPTH:	0.0' - 0.0' to Top
WATER LEVEL:	3.0'
DESIGN SPEC:	ACI 318, ASTM C857
AGENCY:	Edison
APPROX. WEIGHT:	59208.84 Lbs
LOADING SPEC:	A-16 (AASHTO HS20-44)
AGENCY SPEC:	UGS SS541 TYPE 1

©2024 Jensen Precast-All rights reserved. All materials appearing as Jensen Precast documents and the like are proprietary work product and are protected under U.S. copyright and other laws. Unless in conjunction with business conducted with Jensen Precast, any use of Jensen Precast work product without express, written consent is prohibited, and recipient is prohibited from distributing any and all work product to non-approved third parties under penalty of civil action.

REVISION HISTORY	
REV	DESCRIPTION
D	REVISED REBAR CAGE TO MISS DOGBONES

DATE	8/21/2024
APPROVED	

DESCRIPTION:
Vault Layout 84168x90 Terminators Sump 30"E Edison UGS SS541 TYPE 1

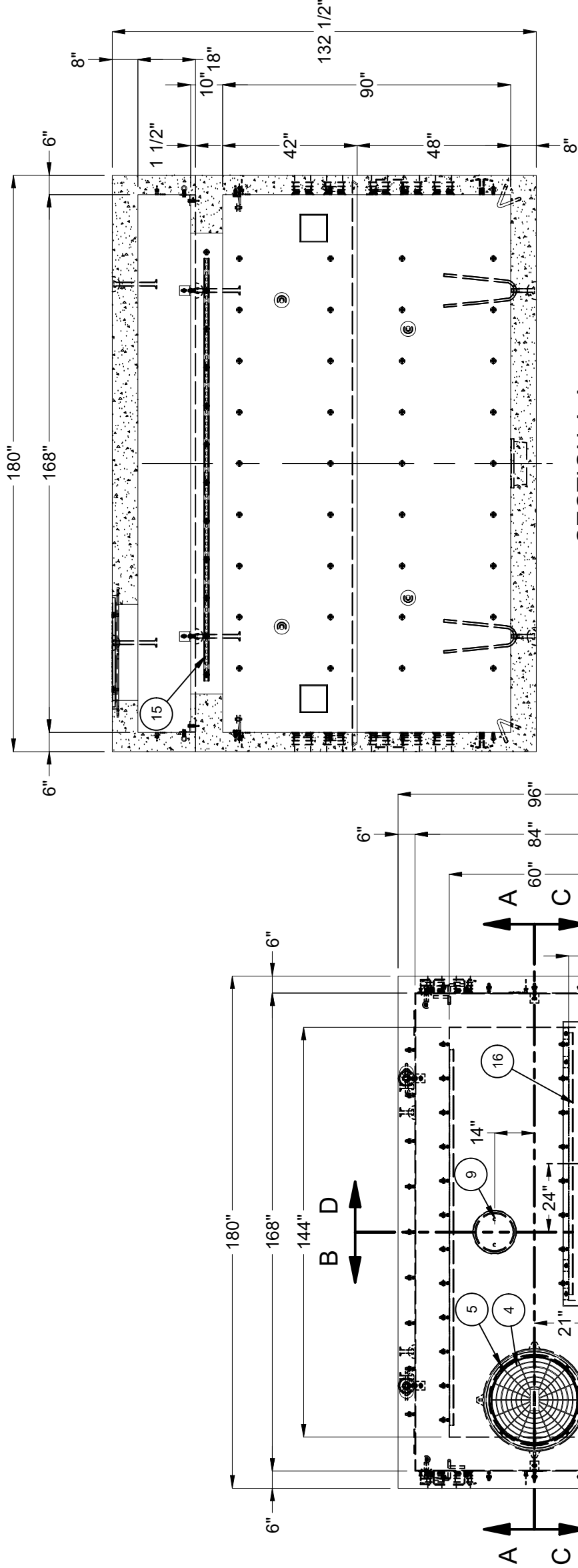
LAYOUT REVIEW

PART NUMBER: 100010578 DRAWN BY: J. Prado

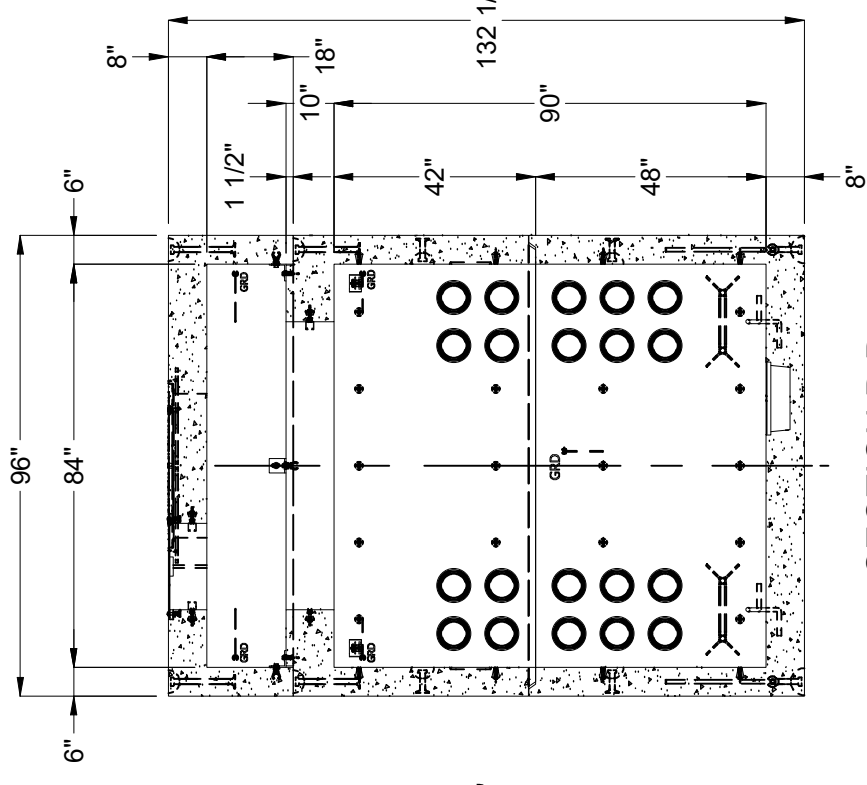
CREATED: 3/5/2019 MODIFIED: 8/21/2024

REV: D-1

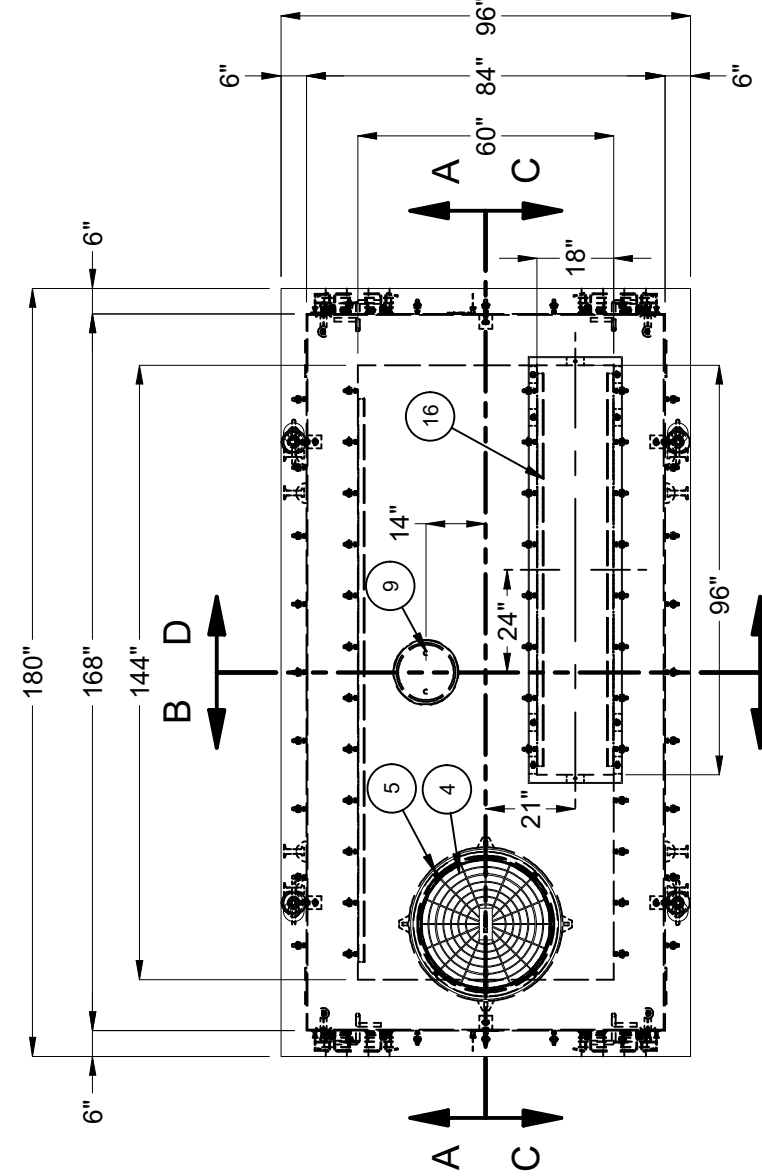
SHEET: 1 OF 2



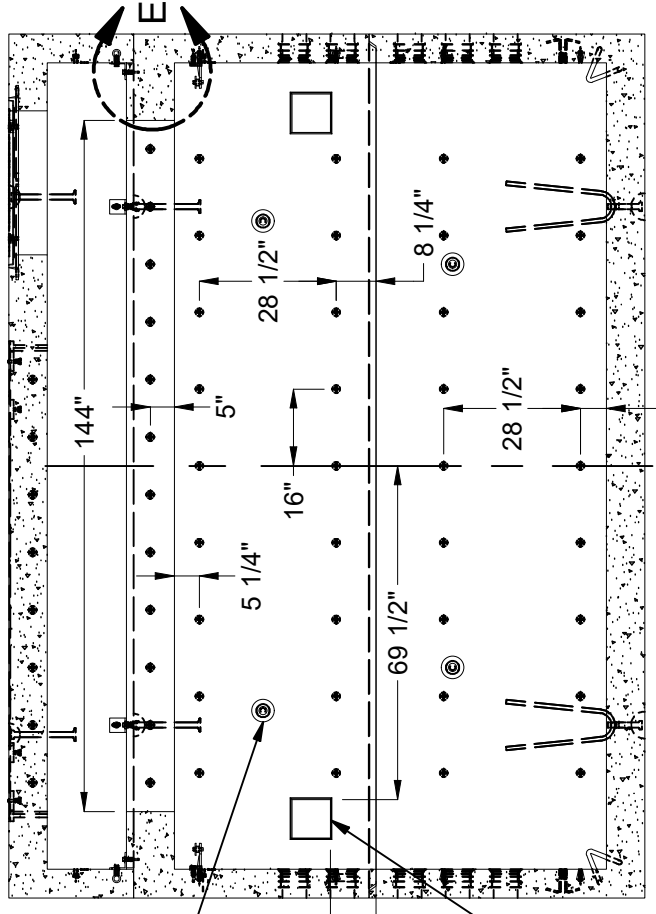
SECTION A-A



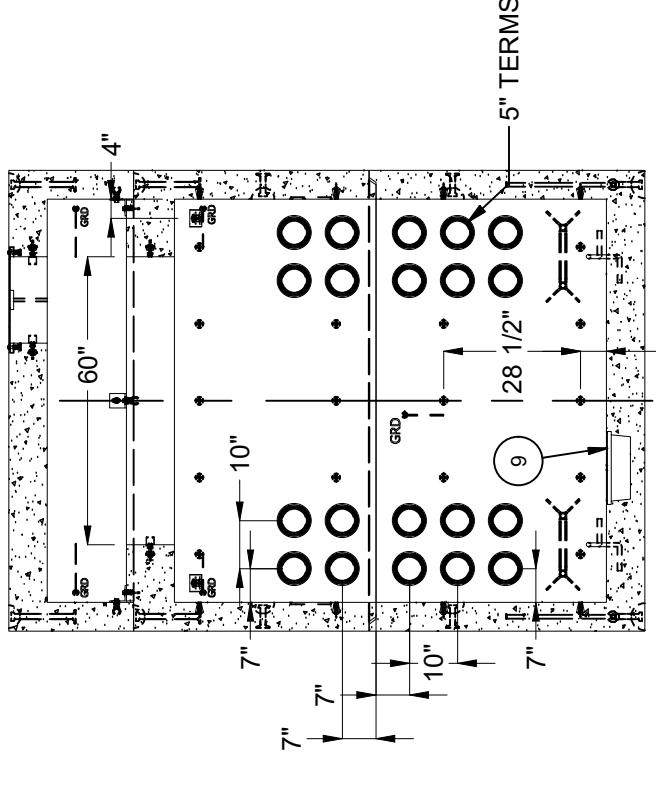
SECTION B-B



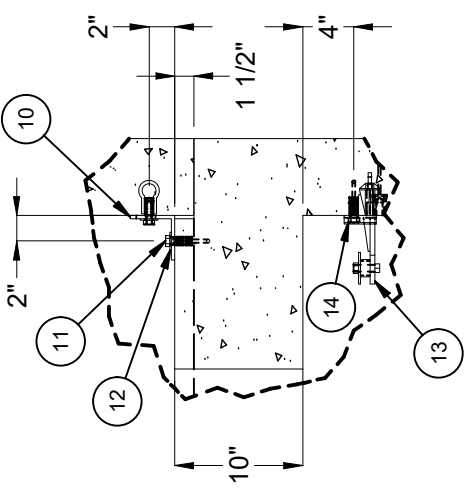
PLAN VIEW



SECTION C-C



SECTION D-D



DETAIL E

BURY DEPTH:	0.0' - 0.0' to Top
WATER LEVEL:	3.0'
DESIGN SPEC:	ACI 318, ASTM C857
AGENCY:	Edison
APPROX. WEIGHT:	59208.84 Lbs
LOADING SPEC:	A-16 (AASHTO HS20-44)
AGENCY SPEC:	UGS SS541 TYPE 1

JENSEN PRECAST EST. 1968
 WWW.JENSENPRECAST.COM

©2024 Jensen Precast. All rights reserved. All materials appearing as Jensen Precast documents and the like are proprietary work product and are protected under U.S. copyright and other laws. Unless in conjunction with business conducted with Jensen Precast, any use of Jensen Precast work product without express, written consent is prohibited, and recipient is prohibited from distributing any and all work product to non-approved third parties under penalty of civil action.

DESCRIPTION:	Vault Layout 84168x90 Terminators Sump 30"E Edison UGS SS541 TYPE 1
LAYOUT DRAWING	
PART NUMBER:	100010578
DRAWN BY:	J. Prado
CREATED:	3/5/2019
MODIFIED:	8/21/2024

100010578.dwg