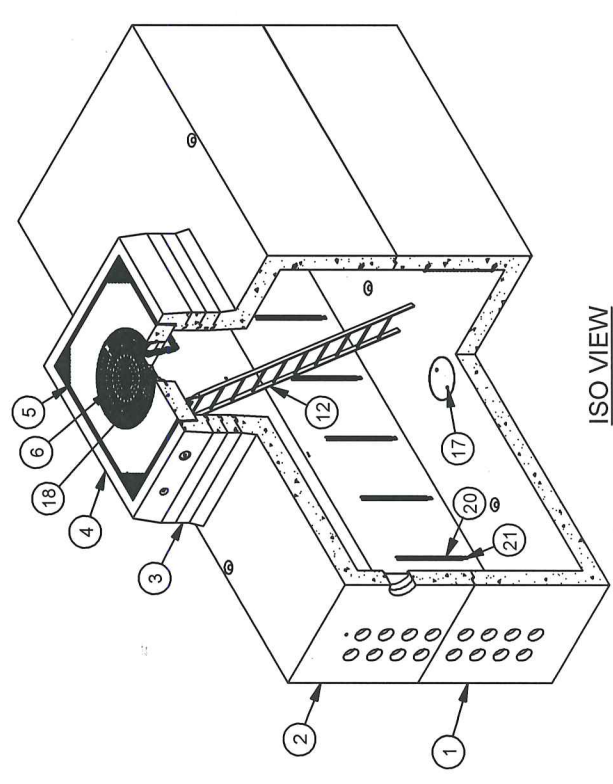
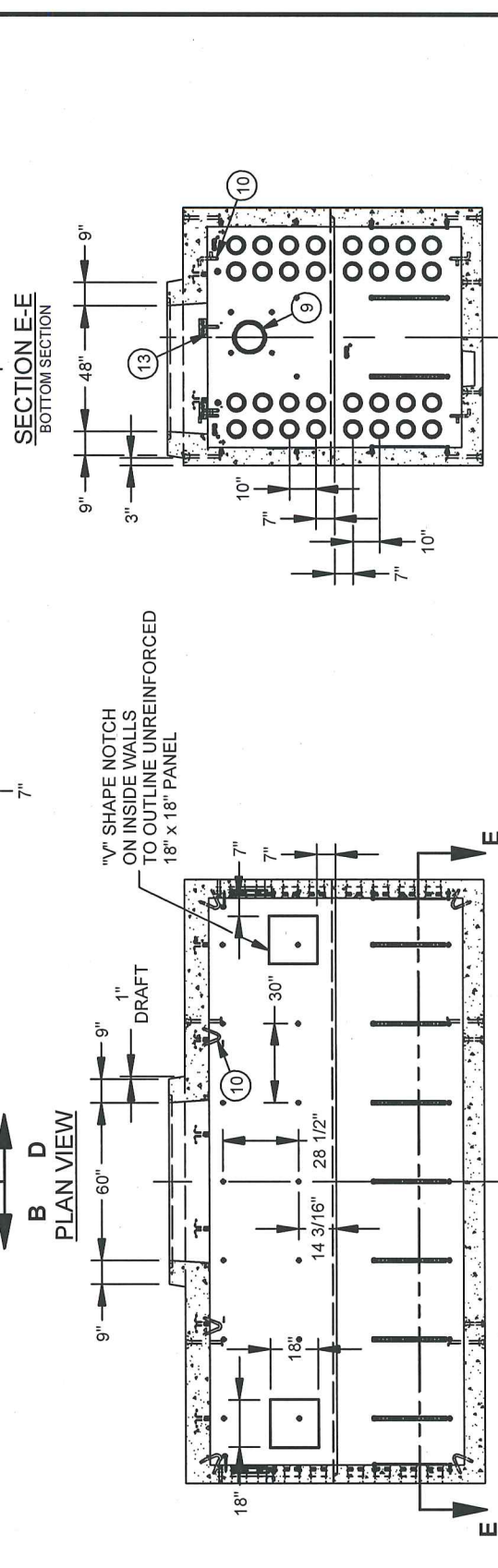
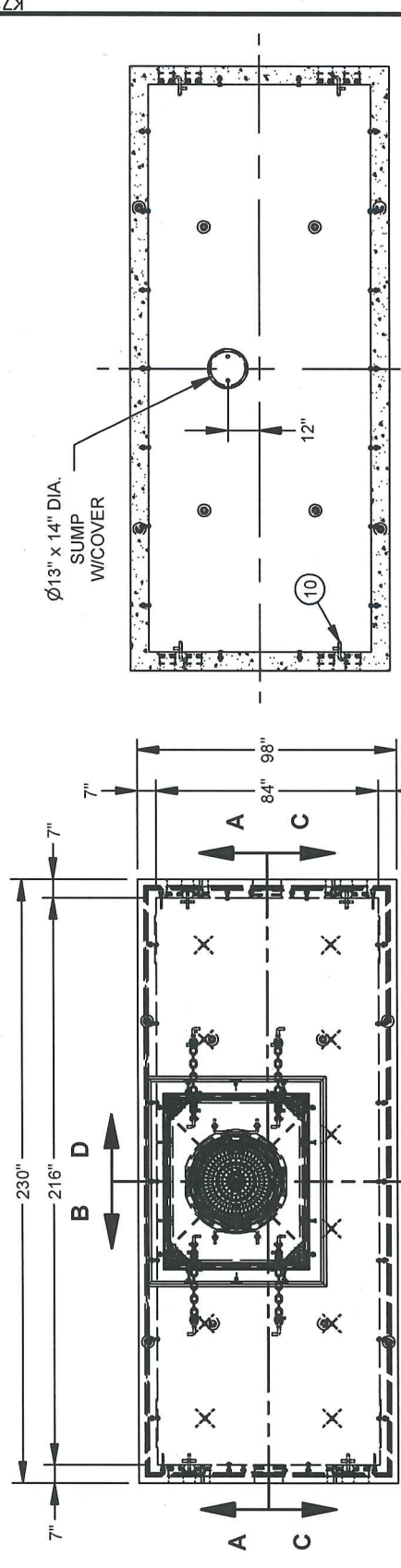
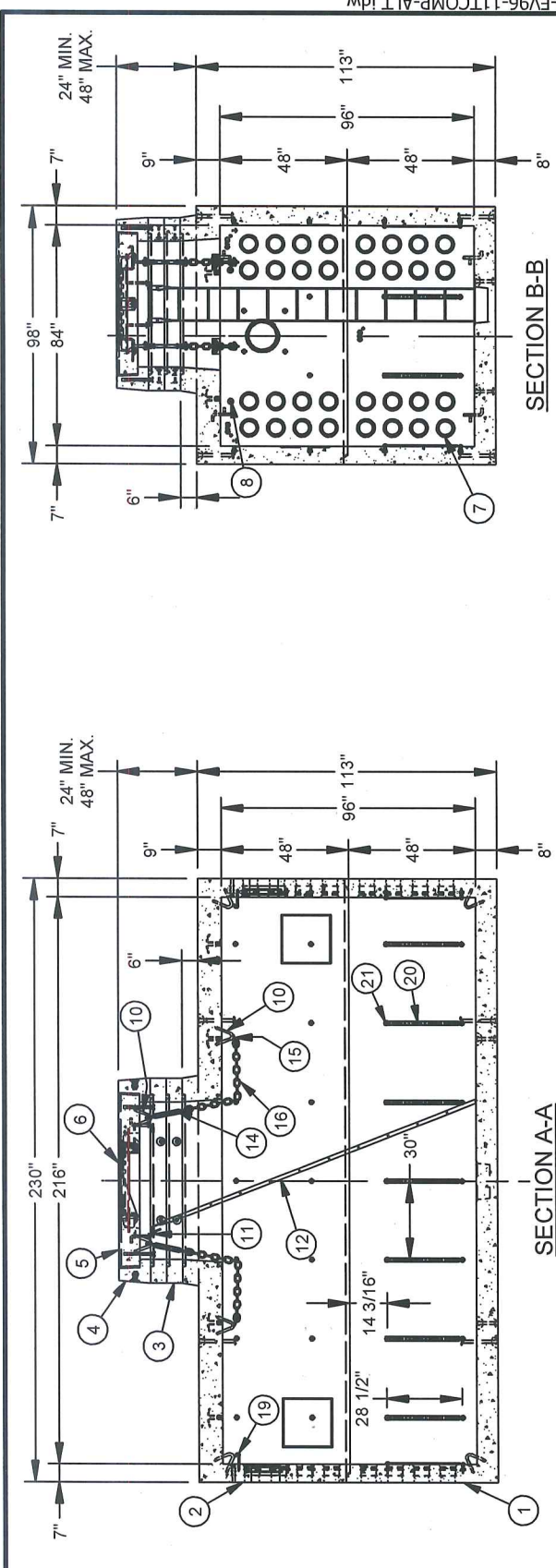


| BILL OF MATERIALS | | | | |
|-------------------|--------------------------------|--|-----|---------------------------------|
| ITEM | PART NUMBER | DESCRIPTION | QTY | WEIGHT (lbs) |
| 1 | UV718-B48-11-ALT | 7'-0" X 18'-0" X 4'-0" BOTTOM SECTION | 1 | 33667 |
| 2 | UV718-T48-11-ALT | 7'-0" X 18'-0" X 4'-0" TOP SECTION | 1 | 33880 |
| 3 | VN45-R6 | 4'-0" X 5'-0" X 0'-6" RISER | 2 | 1167 |
| 4 | VN45-N12-11 | NECK, 4'-0" X 5'-0" X 1'-0" EDISON | 1 | 1710 |
| 5 | VN45-T8-11S | COVER SLAB, 4' X 5' X 8" W/30" DIA. RING NF-15812024 ED, DIAMOND PLATE IMPRINT | 1 | 1731 |
| 6 | 04-30-114 | COVER 30" SWIVELOC "EDISON" | 1 | |
| 7 | 55-30-52 | TERMINATOR, 5" DIA. BLK W/SEAL T5001 MA | 64 | CORE |
| 8 | 22-30-01 | 1" PVC PIPE WITH CAP SCH 40 6'L | 4 | CORE |
| 9 | 55-30-80 | 10" DIA. PLASTIC VENT COUPLER W/CAP | 2 | CORE |
| 10 | 55-35-06 | PULL IRON, 7/8" X 6" GALV. | 16 | TOP/BOTTOM SECTION & COVER SLAB |
| 11 | 55-35-20 | LADDER, STEP GALV. EDISON CAST-IN | 2 | COVER SLAB |
| 12 | 15-10-25 | LADDER, 11' ED/LA GALV. | 1 | |
| 13 | 55-11-336AS | EMBEDDED STAINLESS STEEL ANGLE 3"x3"x1/4"-6" LONG | 4 | TOP SECTION |
| 14 | 20-10-813 | TURNBUCKLE CLEVIS-TO-CLEVIS 3/4 THREADED | 4 | |
| 15 | 20-10-811 | 5/8" GALV. SHACKLE WITH 3/4" PIN W/ COTTER PINS | 4 | |
| 16 | 20-10-810C | 1/2" GALV. CHAIN, 7-1/2 FT LONG, GRADE 30 (FIELD CUT) | 4 | |
| 17 | SC13-SUMP | SUMP COVER FOR 13" SUMP (15" OD) GALV DIA PLATE | 1 | |
| 18 | 20-30-06 | PLUG, RUBBER PICKHOLE ED/LA C.I. COVER | 1 | |
| 19 | 20-10-461 | BOLT, 1/2"x6" J' GALV. | 4 | |
| 20 | 18-10-18 | CABLE RACK, 18 HOLE GALV. W/TABS | 18 | |
| 21 | 400003512 20-10-425 | Hex Bolt - 1/2-13 UNC - 2.5 - Zinc | 36 | |
| 22 | 20-10-610 | BOLT, 3/4" X 10 1/2" COIL POST YELLOW DIP | 4 | SHIP LOOSE |
| 23 | 20-20-60 | NUT, 3/4" HEX COIL POST YELLOW DIP | 8 | SHIP LOOSE |
| 24 | 20-25-61 | WASHER, 3/4" CUT PLATED | 8 | SHIP LOOSE |



- NOTES:
- DESIGNED IN ACCORDANCE WITH AASHTO H-20-44 TRAFFIC BRIDGE LOADING USING 5,500 PSI COMPRESSIVE STRENGTH CONCRETE AND 60,000 PSI YIELD STRENGTH ASTM A-708 STEEL REINFORCEMENT PER CALCS. #31003.
 - COVER DESIGN FOR TRAFFIC LOADING.
 - LIMIT OF COVER OVER ROOF SECTION IS 1'-6" TO 4'-0".
 - VAULT TO BE PLACED ON A MIN. 6" BASE OF CRUSHER RUN FOR EASE OF INSTALLATION AND EVEN LOAD DISTRIBUTION.
 - CONCRETE MIX USED IN POURING THIS PRODUCT SHALL USE FLY ASH AS AN ADMIXTURE.
 - FINISH COATING: ALL INTERIOR WALLS AND CEILING SHALL BE PAINTED WHITE.
 - ALL PARTS TO BE STENCILED: MFG DATE / JOB NUMBER / PRODUCT ID / WEIGHT.
 - MINIMUM EXCAVATION SIZE: 9'-0" X 21'-0" DEPTH REQ'D.



SPECIAL HANDLING NOTE: THIS CONCRETE PRODUCT IS DESIGNED TO BE LIFTED WITH 4 (FOUR) EQUALLY LOADED RIGGINGS LEGS MIN. 60° SLING ANGLE, MEASURED FROM HORIZONTAL.

| REVISION HISTORY | |
|------------------|-------------|
| REV | DESCRIPTION |
| | |
| | |

JENSEN PRECAST EST. 1968
825 STENERI WAY
SPARKS, NV 89431
WWW.JENSENPRECAST.COM

©2016 Jensen Precast. All rights reserved. All materials appearing as Jensen Precast products and are protected under U.S. copyright and other laws. In conjunction with business conducted with Jensen Precast, any use of Jensen Precast work product without express, written consent is prohibited. Jensen Precast does not warrant, distribute, or sell any of its work product to non-approved third parties under penalty of civil action.

VAULT DESC: 7'-0" x 18'-0" FLAT WALL TYPE 2 VAULT x 8'-0" DEEP
PART ID: K718-FV96-11TCOMP-ALT
JOB NO:
DATE CREATED: 11/8/2017
DATE MODIFIED: 1/27/2018
DRAWN BY: JPRADO
SHEET: 1 OF 1

FILENAME: K718-FV96-11TCOMP-ALT.idw