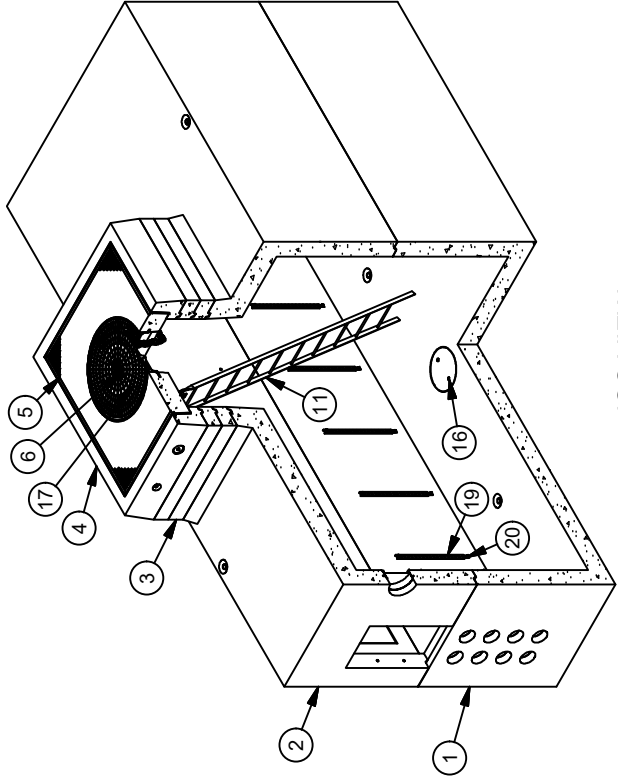


BILL OF MATERIALS				
ITEM	PART NUMBER	DESCRIPTION	#	WEIGHT (lbs)
1	UV718-B48-11	7'-0" X 18'-0" X 4'-0" BOTTOM SECTION	1	33921
2	UV718-T48-INT-11	7'-0" X 18'-0" X 4'-0" TOP SECTION INT, 20"W x 36"H SLOT	1	33532
3	VN45-R6	4'-0" X 5'-0" X 0'-6" RISER	2	1167
4	VN45-N12-11	NECK, 4'-0" X 5'-0" X 1'-0" EDISON	1	1710
5	VN45-T8-11S	COVER SLAB, 4' X 5' X 8" W/30" DIA. RING NF-15812024 ED, DIAMOND PLATE IMPRINT	1	1731
6	04-30-114	COVER 30" SWIVELLOC "EDISON"	1	
7	55-30-52	TERMINATOR, 5" DIA. BLK W/SEAL T5001 MA	16	CORE
8	55-30-80	10" DIA. PLASTIC VENT COUPLER W/CAP	2	CORE
9	55-35-06	PULL IRON, 78" x 6" GALV.	12	TOP/BOTTOM SECTION & COVER SLAB
10	55-35-20	LADDER, STEP GALV. EDISON CAST-IN	2	COVER SLAB
11	15-10-25	LADDER, 11' ED/LA GALV.	1	COVER SLAB
12	55-11-336	EMBEDDED STAINLESS STEEL ANGLE 3"x3"x1/4"-6" LONG	4	TOP SECTION
13	20-10-813	3/4" THREAD SIZE GALV. CLEVIS TO CLEVIS (5/8" DIA. PINS W/COTTER PINS) TURNBUCKLE	4	TOP SECTION
14	20-10-811	5/8" GALV. SHACKLE WITH 3/4" PIN W/ COTTER PINS	4	
15	20-10-810	1/2" GALV. CHAIN, GRADE 30 (FIELD CUT)	30 ft	
16	SC13-SUMP	SUMP COVER FOR 13"SUMP(15"OD)GALV DIA PLATE	1	
17	20-30-06	PLUG, RUBBER PICKHOLE ED/LA C.I. COVER	1	
18	20-10-461	BOLT, 1/2"x6" J' GALV.	4	
19	18-10-18	CABLE RACK, 18 HOLE GALV. W/TABS	11	
20	100003512	Hex Bolt - 1/2-13 UNC - 2.5 - Zinc	22	
21	20-10-610	BOLT, 3/4" X 10 1/2" COIL POST YELLOW DIP	4	SHIP LOOSE
22	20-20-60	NUT, 3/4" HEX COIL POST YELLOW DIP	8	SHIP LOOSE
23	20-25-61	WASHER, 3/4" CUT PLATED	8	SHIP LOOSE

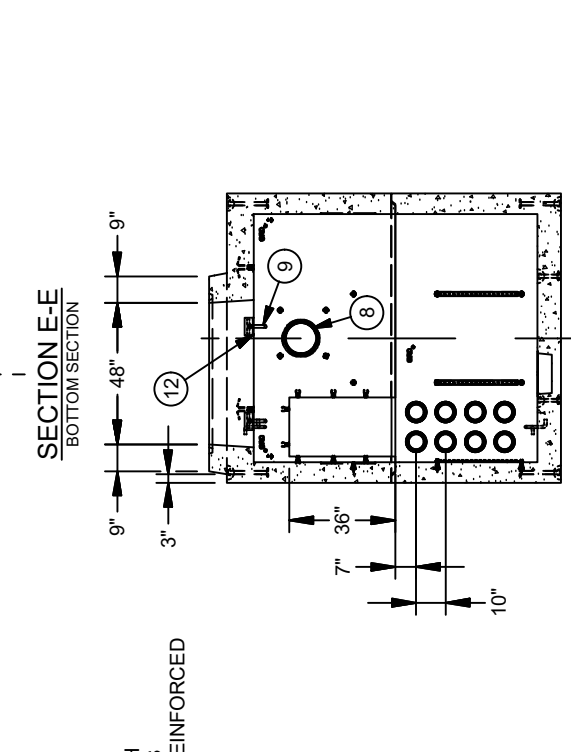
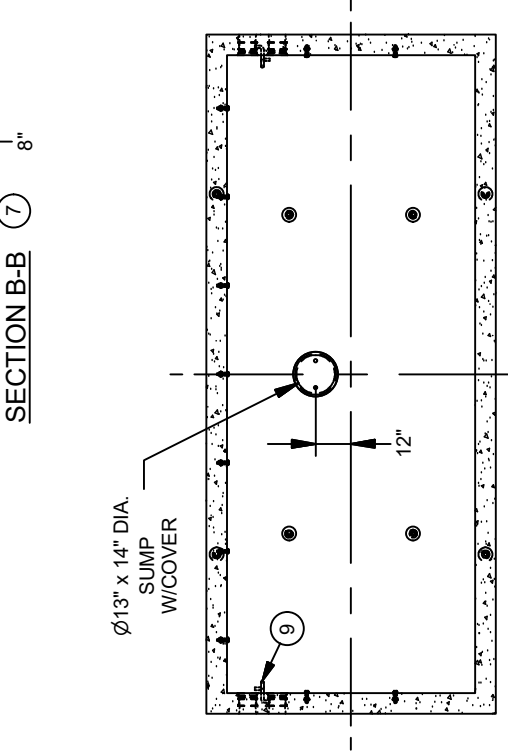
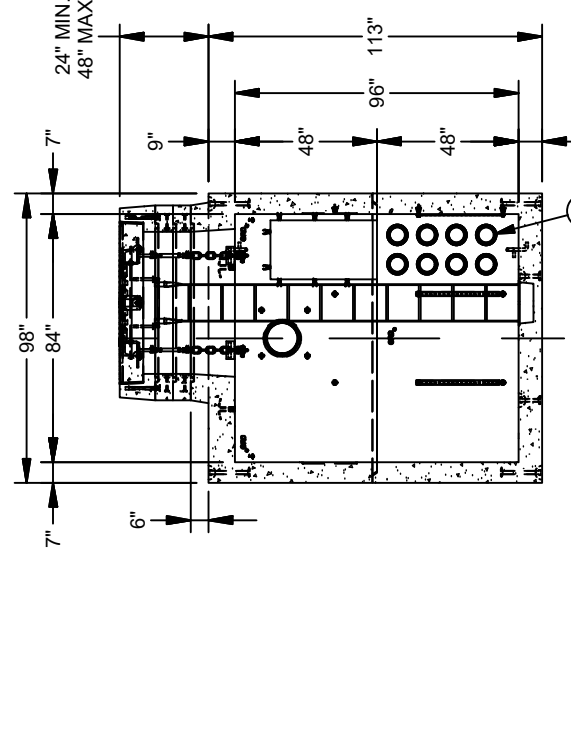
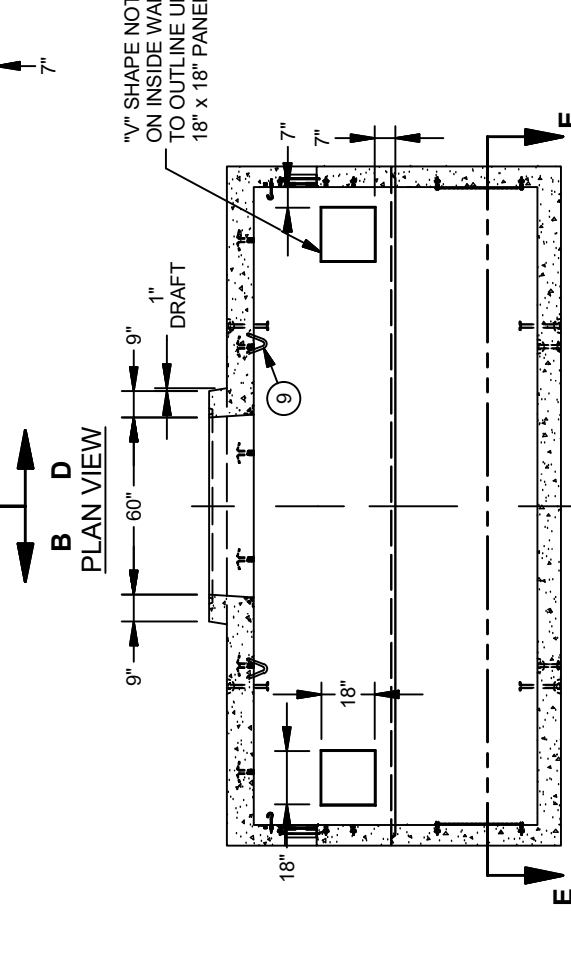
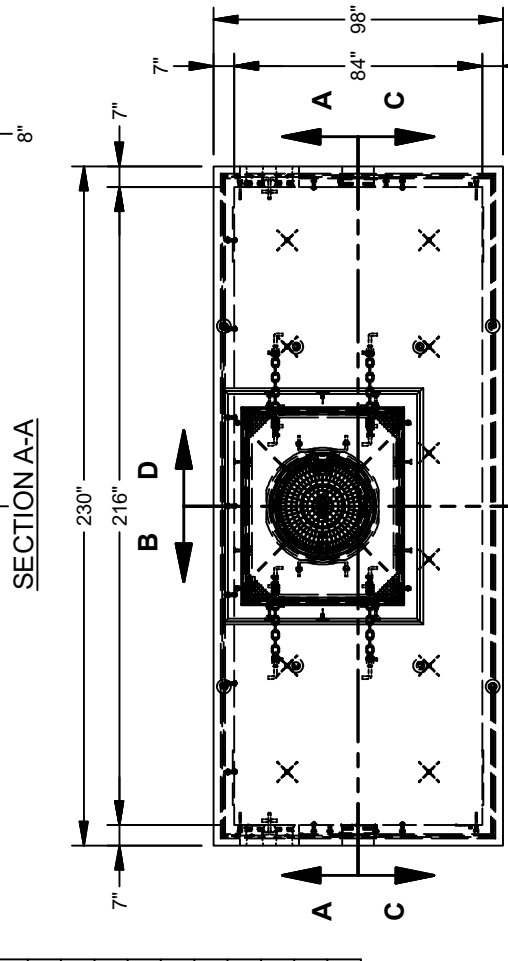
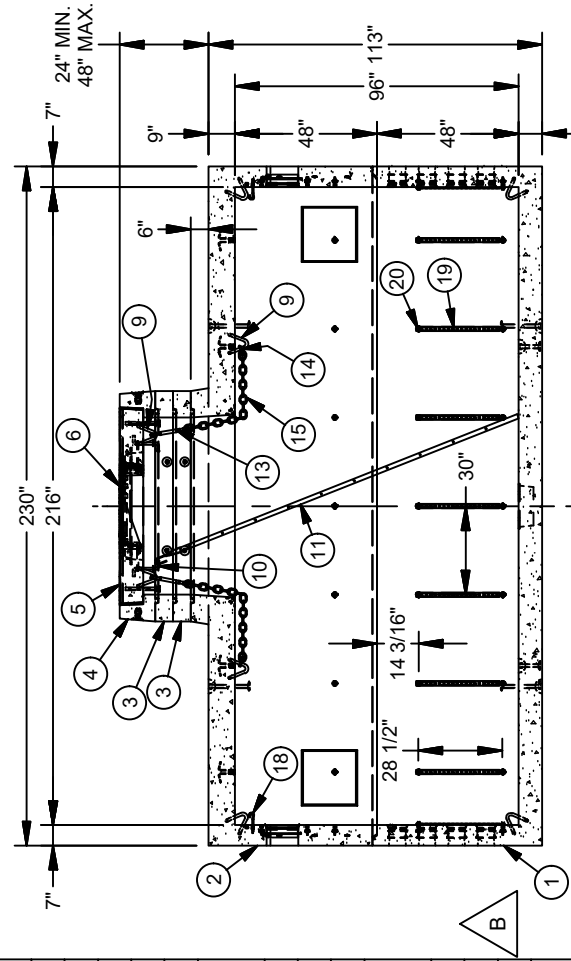


NOTES:

- DESIGNED IN ACCORDANCE WITH AASHTO H-20-44 TRAFFIC BRIDGE LOADING USING 5,500 PSI COMPRESSIVE STRENGTH CONCRETE AND 60,000 PSI YIELD STRENGTH ASTM A-706 STEEL REINFORCEMENT PER CALCS. #31003.
- COVER DESIGN FOR TRAFFIC LOADING.
- LIMIT OF COVER OVER ROOF SECTION IS 1'-6" TO 4'-0".
- VAULT TO BE PLACED ON A MIN. 6" BASE OF CRUSHER RUN FOR EASE OF INSTALLATION AND EVEN LOAD DISTRIBUTION.
- CONCRETE MIX USED IN POURING THIS PRODUCT SHALL USE FLY ASH AS AN ADMIXTURE.
- FINISH COATING: ALL INTERIOR WALLS AND CEILING SHALL BE PAINTED WHITE.
- ALL PARTS TO BE STENCILED: MFG DATE / JOB NUMBER / PRODUCT ID / WEIGHT.
- MINIMUM EXCAVATION SIZE: 9'-0" X 21'-0" DEPTH REQD.

AGENCY: EDISON

AGENCY SPEC: UGS VA 410



SPECIAL HANDLING NOTE: THIS CONCRETE PRODUCT IS DESIGNED TO BE LIFTED WITH 4 (FOUR) EQUALLY LOADED RIGGINGS LEGS MIN. 60° SLING ANGLE, MEASURED FROM HORIZONTAL.

REVISION HISTORY

REV	DATE	DESCRIPTION	BY
A	12/27/2017	ADDED DIMS. TO INTERCEPT INSERTS	RR
B	1/5/2018	REVISED PART# FROM 55-10-336 TO 55-11-336	RR

**JENSEN PRECAST** EST. 1968  
 825 STENERI WAY  
 SPARKS, NV 89431  
 WWW.JENSENPRECAST.COM

©2018 Jensen Precast. All rights reserved. All materials appearing as Jensen Precast documents and the like are proprietary work, product and are protected under U.S. copyright and other laws. Unless in conjunction with business conducted with Jensen Precast, any use of Jensen Precast work product without the written consent of Jensen Precast is prohibited, and recipient is prohibited from distributing any and all work product to non-approved third parties under penalty of civil action.

VAULT DESC: 7'-0" X 18'-0" INTERCEPT VAULT X 8'-0" DEEP

PART NO: K718-FV96-INT-11TCOMP

DATE CREATED: 11/30/2017

DATE MODIFIED: 1/27/2018

DRAWN BY: JPRADO

SHEET: 1 OF 1

FILENAME: K718-FV96-INT-11TCOMP.iDW