

7'-0" x 8'-0" INTERCEPT TUNNEL VAULT x 16'-0" LONG

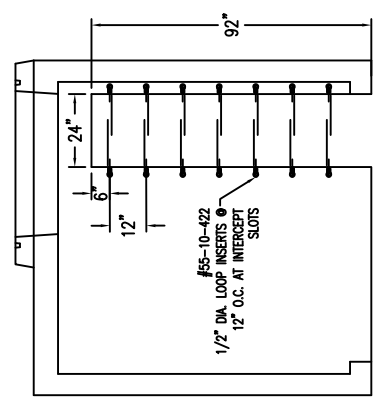
MATERIAL LIST	DESCRIPTION	WEIGHT/ MOUNT
ITEM PART NO.	CAGE NO. / LOCATION	
1 TV78-INT-E48-A-N-11	48" INT END SECTION-A	13,250 lbs
2 TV78-INT-E48-B-N-11	48" INT END SECTION-B	13,250 lbs
3 TV78-INT-C96-N-11	96" INT CENTER SECTION-INTERCEPT.	16,900 lbs
4 55-30-52	5" DIA. CONTERM	(12) CORE MTD.
5 22-30-01	1" DIA SCH. 40 PVC CONDUIT, CAPPED FLUSH WITH OUTSIDE WALL.	(1) CORE MTD.
6 KNOCK OUT	2.83" WIDE x 1.41" DEEP "v" SHAPED GROOVE	(2) CORE MTD.
7 55-30-80	10" DIA x 4" DEEP ABS PLASTIC VENT TERMINATOR	(3) CORE MTD.
8 55-35-06	7/8" DIA x 6" GALVANIZED PULL IRON	(2) CORE MTD.
9 55-10-425	12" THREADED BRONZE GROUND INSERT WELD TO REBAR "GRD" SHOULD BE STENCILED IN RED LETTERS.	(4) CORE MTD.
10 55-10-422	1/2" x 2 3/4" (THREAD LENGTH 1 3/8") FX-5 FERRULE-LOOP ELECTROPLATED.	(2) CORE MTD.
11 55-10-424	1/2" PLASTIC W/ SNAP INSERT	(15) CORE
12 55-10-855	1" x 5" DOUBLE COIL THREADED GALV. INSERT	(16) CORE MTD.
13 55-10-850	1" SINGLE COIL THREADED GALV. INSERT	(9) CORE MTD.
14 BRK-TV	BOLT UP CASTING W/ RECESS	(1) CORE
15 55-20-813	8 TON x 13-3/8" GALV. DOGBONE ANCHOR FOR HANDLING	(4) SHELL MTD.
16 55-20-80434	8 TON x 4 3/4" GALV. DOGBONE ANCHOR FOR HANDLING	(8) CORE MTD.
17 55-10-525	5/8" x 3 1/2" (THREAD LENGTH 1 5/8") FX-5 FERRULE-LOOP ELECTROPLATED	(4) SHELL / SURFACE MTD.
	END/CENTER SECTION	(4) SHELL MTD.
		(68) CORE MTD.

NOTES:

- VAULT IS DESIGNED PER ASTM C-857 LOAD DESIGNATION A-16. AASHTO H-20-44 BRIDGE LOADING USING 5,500 PSI CONCRETE AND ASTM A-706 GR.60 STEEL REINFORCEMENT PER CALCS. #32018.
- LIMIT OF COVER OVER ROOF SECTION IS 1'-6" TO 4'-0" WATER LEVEL 3'-0" BELOW GRADE.
- ALL WALLS AND CEILING SHALL BE PAINTED WHITE.
- STRUCTURAL DESIGN APPROVED BY LOS ANGELES COUNTY ROAD AND BRIDGE DEPARTMENT.
- VAULT TO BE PLACED ON A 6" BASE OF CRUSHER RUN FOR EASE OF INSTALLATION AND EVEN LOAD DISTRIBUTION.
- SEE DRAWING KPKINT-TV816-N-11 FOR CAST IN PLACE INTERCEPT PACKAGE.

SPECIAL HANDLING NOTE: THIS CONCRETE PRODUCT IS DESIGNED TO BE LIFTED WITH 4 (FOUR) EQUALLY LOADED VERTICAL RIGGINGS LEGS. ANY DEVIATION TO THIS CONFIGURATION COULD RESULT IN CONCRETE CRACKING AND POSSIBLE LIFTING FAILURE.

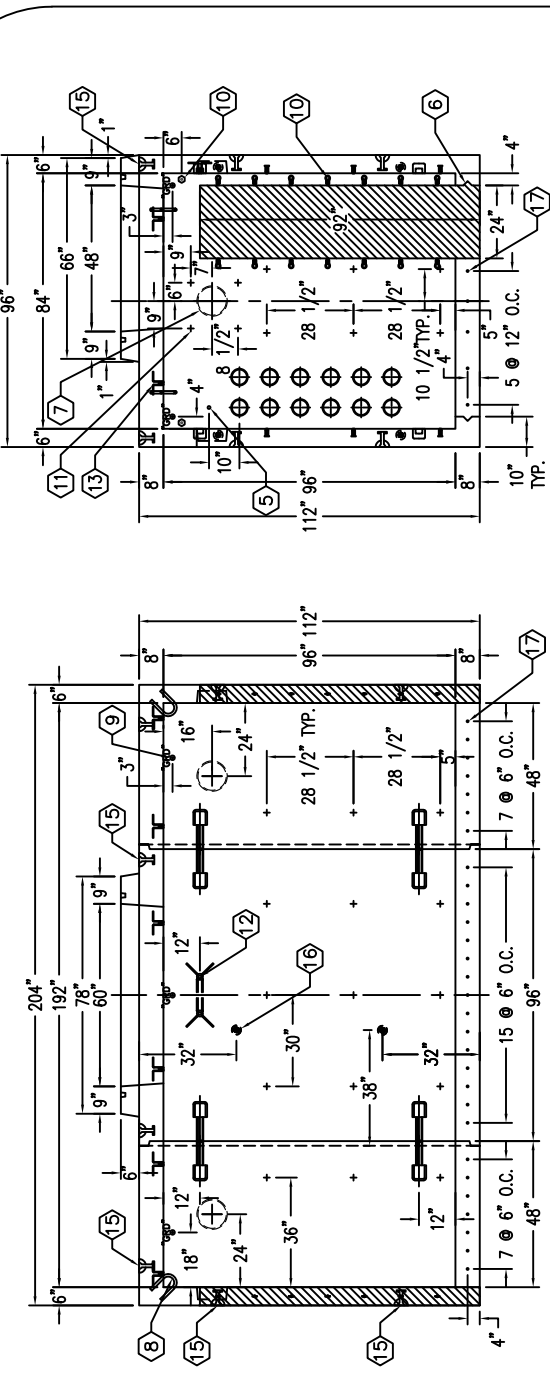
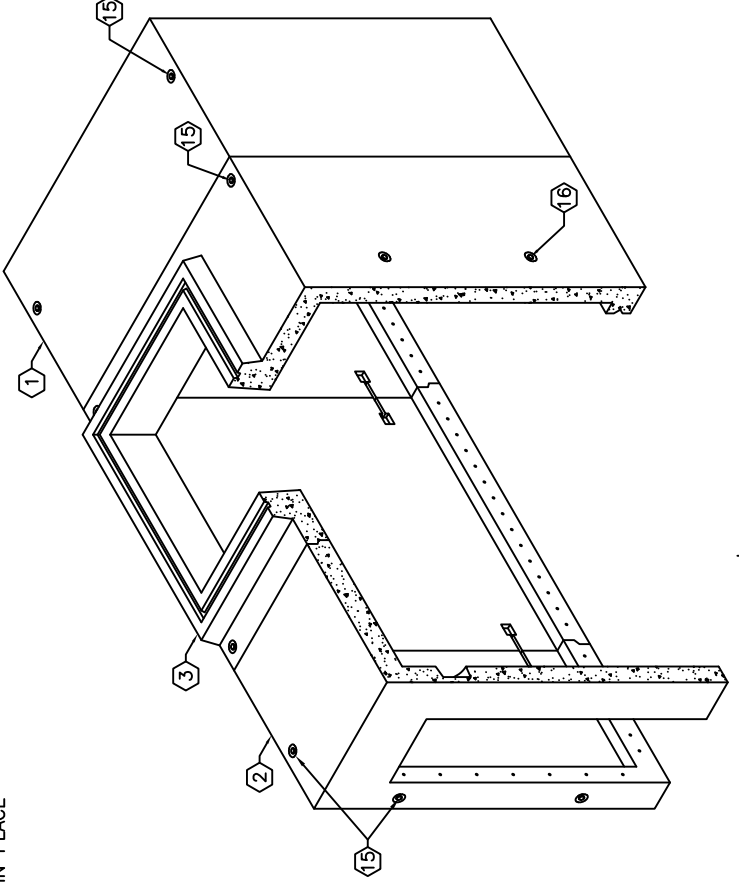
MINIMUM EXCAVATION SIZE:  
9'-0" x 20'-0" x 2'-0" DEPTH REQD.



DETAIL SECTION B-B  
INSERTS LOCATION

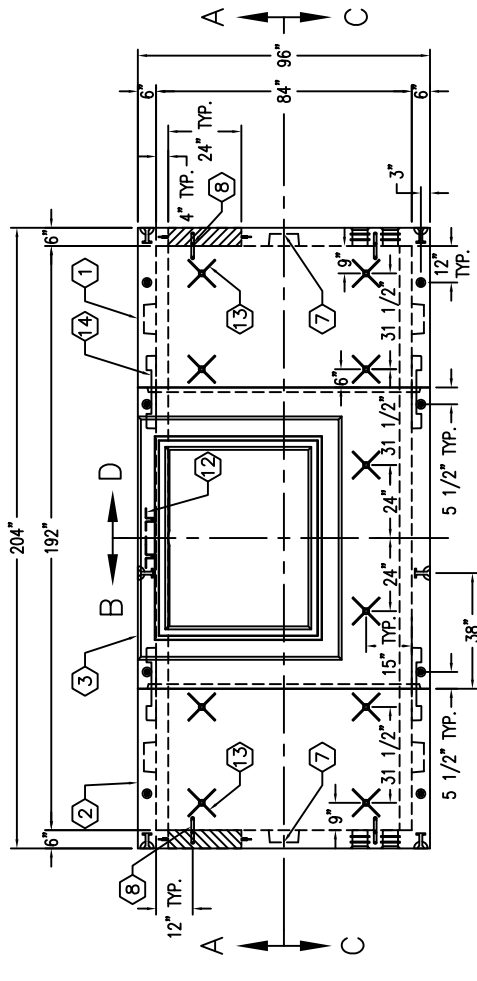
SHIP LOOSE MATERIAL LIST

ITEM	PART NO.	DESCRIPTION	QTY
A	20-10-461	BOLT, 1/2" x 6" J GALVANIZED.	(4) REQD.
B	18-10-18	CABLE RACK, 18 HOLES GALVANIZED W/TABS.	(10) REQD.
C	20-10-422	BOLT, 1/2" x 2 1/2" HEX HD SS A304.	(20) REQD.
D	20-25-41	WASHER, 1/2" FLAT PLATED.	(20) REQD.
E	20-10-618	THREADED ROD 3/4" x 18" COIL YELLOW	(8) REQD.
F	20-10-610	BOLT, 3/4" x 10 1/2" COIL POST YELLOW DI	(4) REQD.
G	20-25-61	WASHER, 3/4" CUT PLATED.	(8) REQD.
H	20-20-60	NUT, 3/4" HEX COIL POST YELLOW DIP.	(16) REQD.
J	SC13-SUMP	SUMP COVER FOR 13" SUMP (15" OD.) GALV.	(1) REQD.

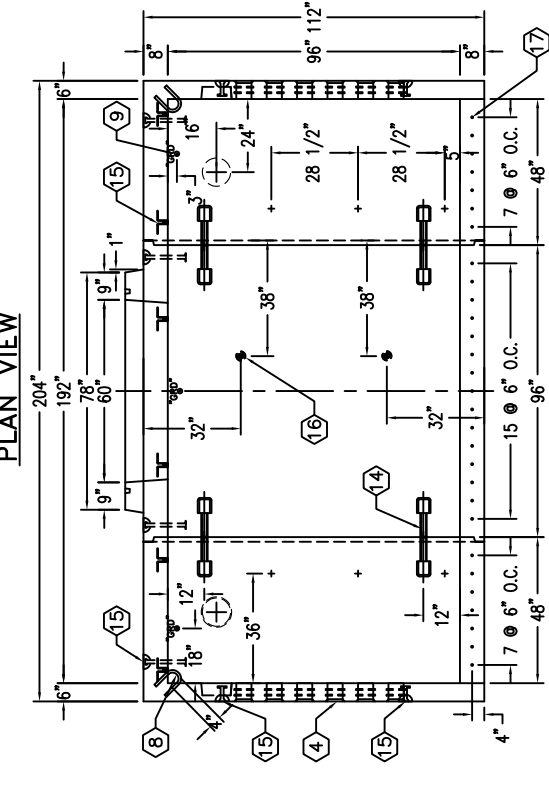


SECTION A-A

SECTION B-B



PLAN VIEW



SECTION C-C

SECTION D-D

DATE	DRAWN BY	CHECKED BY
04-24-15	JESUS SANCHEZ	
#	DESCRIPTION	BY
C	11-08-17 MOVED LIFTERS ON CENTER SECTION 1/2"	SWG
B	02-26-16 DELETE DIM. FROM ISO. ADDED SHIPPING MATERIAL TABLE.	JM



K78-TV16-INT-N-11

PER EDISON SPEC. U.S. VA. 411 05-16-05



AUTOCAD 2005

K78-TV16-INT-N-11

PER EDISON SPEC. U.S. VA. 411 05-16-05

A	04-29-15	REMOVED PART NUMBERS ON ITEMS 1-3	JMS
---	----------	-----------------------------------	-----