

7'-0" x 8'-0" FLAT WALL TUNNEL VAULT x 16'-0" LONG

MATERIAL LIST

ITEM	PART NO.	DESCRIPTION	CAGE NO./ LOCATION	WEIGHT/ MOUNT
1	TV78-E48-N-11	(2) END SECTION	CG-TV78-E48-11	16,375 lbs
2	TV78-C96-N-11	CENTER SECTION	CG-TV78-C96-11	21,975 lbs.
3	KNOCK-OUT	13"x14" DIA. SUMP x 3" DEEP W/ RECESS 3/8" DEEP x 15 1/4" DIA.	CENTER SECTION	(1) CORE MTD.
4	55-30-52	5" DIA. CONTERM.	END SECTION	(24) CORE MTD.
5	22-30-01	1" DIA. SCH. 40 PVC CONDUIT, CAPPED FLUSH W/ OUTSIDE WALL	END SECTION	(2) CORE MTD.
6	KNOCK-OUT	2.83" WIDE x 1.41" DEEP "V" SHAPED DRAIN TROUGH	CENTER SECTION	(1) CORE MTD.
7	55-30-80	10" DIA x 4" DEEP ABS PLASTIC VENT TERMINATOR	END SECTION	(3) CORE MTD.
8	55-35-06	7/8" DIA x 6" GALVANIZED PULL IRON	END SECTION	(4) CORE MTD.
9	55-10-425	1/2" THREADED BRONZE GROUND INSERT WELD TO REBAR "GRD" SHOULD BE STENCILED IN RED LETTERS.	END SECTION	(4) CORE MTD.
10	55-10-422	1/2" FERRULE LOOP ELEC. INSERT.	CENTER SECTION	(2) CORE MTD.
11	55-10-424	1/2" PLASTIC W/SNAP INSERT.	END SECTION	(16) CORE MTD.
12	55-10-855	1" x 5" DOUBLE COIL THREADED GALV. INSERT	CENTER SECTION	(9) CORE MTD.
13	55-10-850	1" SINGLE COIL THREADED GALV. INSERT.	END SECTION	(1) CORE MTD.
14	BRK-TV	BOLT UP CASTING W/ RECESS.	CENTER SECTION	(4) CORE MTD.
15	55-20-813	8 TON x 13-3/8" GALV. DOGBONE ANCHOR FOR HANDLING	END SECTION	(8) CORE MTD.
16	55-20-80434	8 TON x 4 3/4" GALV. DOGBONE ANCHOR FOR STRIPING	CENTER SECTION	(4) SURFACE/SHELL MTD. (4) SHELL MTD.

NOTES:

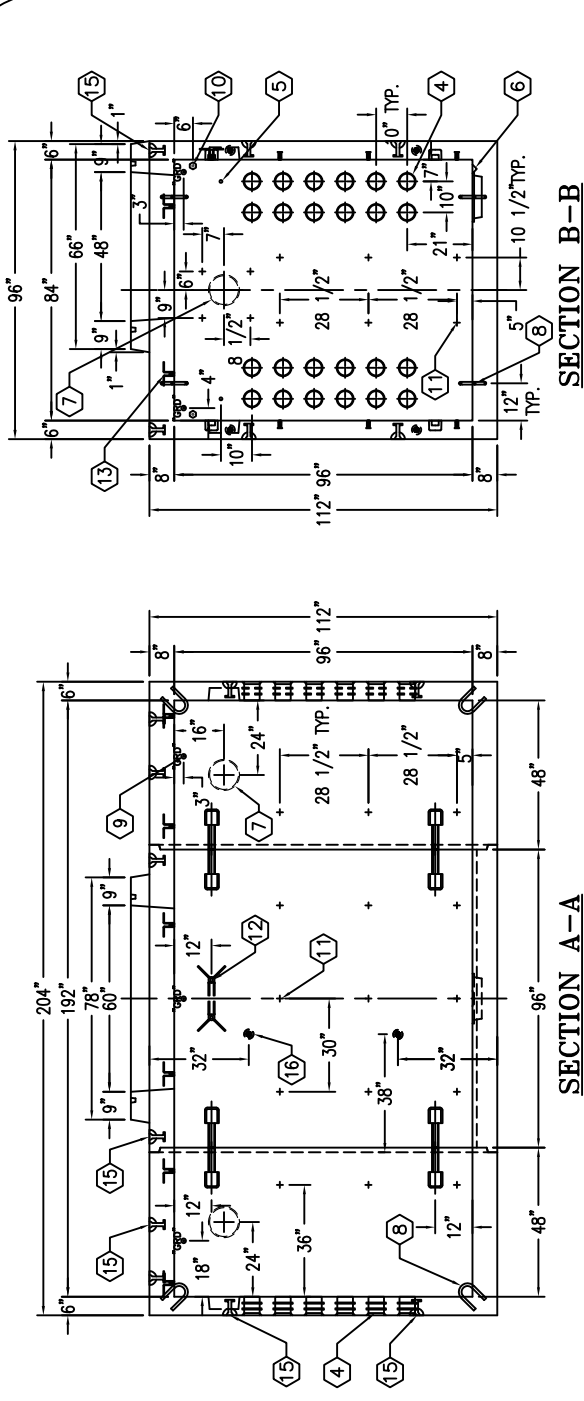
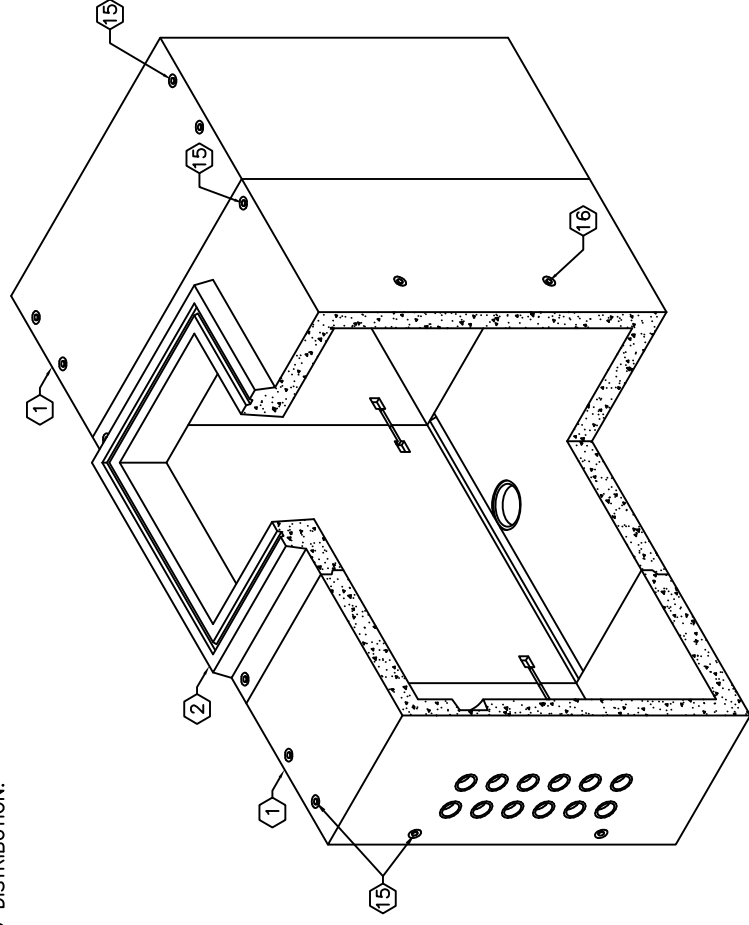
- VAULT IS DESIGNED PER ASTM C-857 LOAD DESIGNATION A-16 AASHTO H-20-44 BRIDGE LOADING USING 5,500 PSI CONCRETE AND ASTM A-706 GR.60 STEEL REINFORCEMENT PER CALCS. #31658.
- LIMIT OF COVER OVER ROOF SECTION IS 1'-6" TO 4'-0".
- ALL WALLS AND CEILING SHALL BE PAINTED WHITE.
- STRUCTURAL DESIGN APPROVED BY LOS ANGELES COUNTY ROAD AND BRIDGE DEPARTMENT.
- VAULT TO BE PLACED ON A 6" BASE OF CRUSHER RUN FOR EASE OF INSTALLATION AND EVEN LOAD DISTRIBUTION.

SPECIAL HANDLING NOTE: THIS CONCRETE PRODUCT IS DESIGNED TO BE LIFTED WITH 4 (FOUR) EQUALLY LOADED VERTICAL RIGGING LEGS. ANY DEVIATION TO THIS CONFIGURATION COULD RESULT IN CONCRETE CRACKING AND POSSIBLE LIFTING FAILURE.

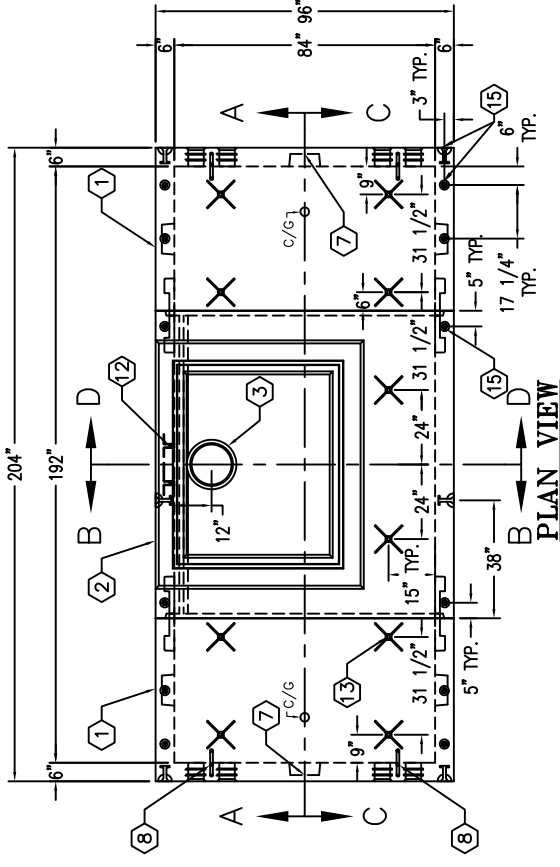
MINIMUM EXCAVATION SIZE:
9'-0" x 20'-0" x DEPTH REQD.

SHIP LOOSE MATERIAL LIST

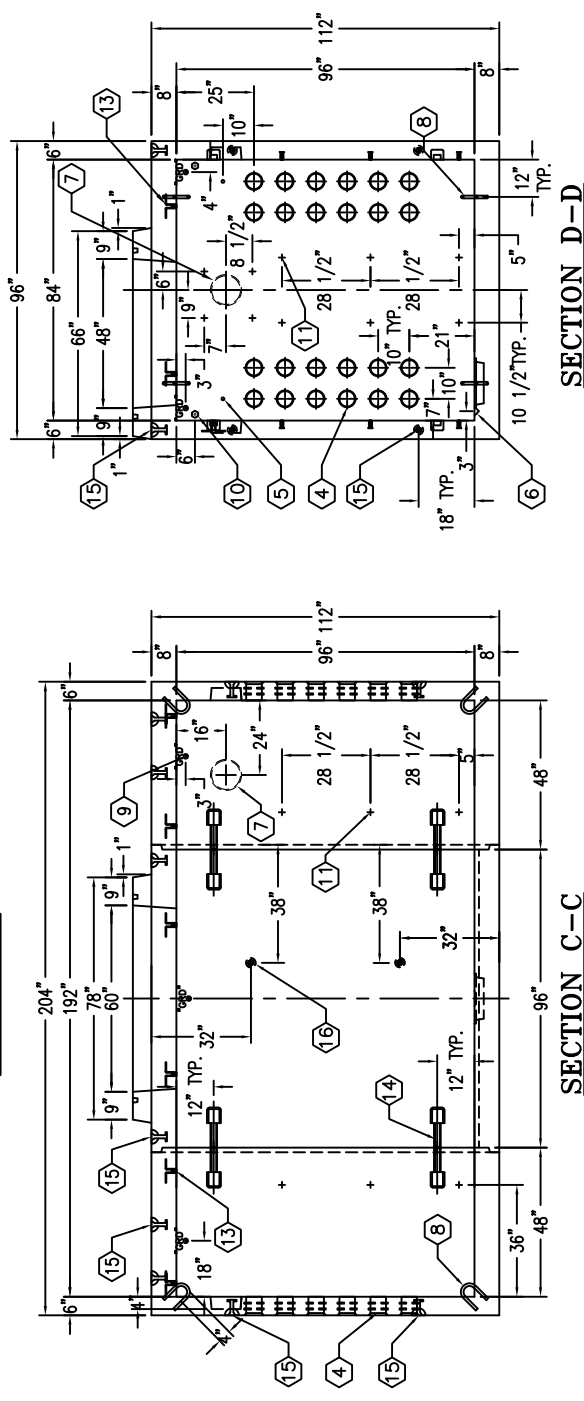
ITEM	PART NO.	DESCRIPTION	QTY
A	20-10-461	BOLT, 1/2" x 6" J GALVANIZED	(4) REQD.
B	18-10-18	CABLE RACK, 18 HOLES GALVANIZED W/TABS.	(10) REQD.
C	20-10-422	BOLT, 1/2" x 2 1/2" HEX HD SS A304.	(20) REQD.
D	20-25-41	WASHER, 1/2" FLAT PLATED.	(20) REQD.
E	20-10-618	THREADED ROD, 3/4" x 18" COIL YELLOW.	(6) REQD.
F	20-10-610	BOLT, 3/4" x 10 1/2" COIL POST YELLOW DI	(4) REQD.
G	20-25-61	WASHER, 3/4" CUT PLATED.	(6) REQD.
H	20-20-80	NUT, 3/4" HEX COIL POST YELLOW DIP.	(16) REQD.
J	SC13-SUMP	SUMP COVER FOR 13" SUMP (15" OD.) GALV.	(1) REQD.



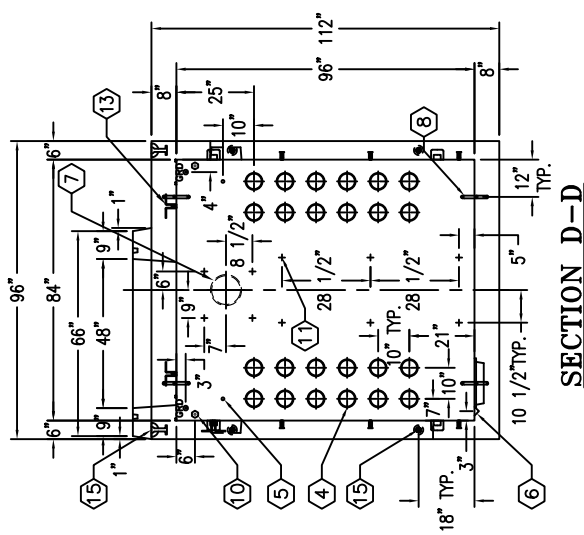
SECTION A-A



PLAN VIEW



SECTION C-C



SECTION D-D

DATE	DRAWN BY	CHECKED BY			
01-14-15	J. SCENBERY				
#	DATE	DESCRIPTION	REVISION	BY	CHK
C	04-29-15	REVISED PART NUMBER ON ITEMS 1 AND 2		JMS	JM
D	02-09-16	CORRECTED DIM @ ISO. FROM 118" TO 112"			



K78-TV16-N-11

PER EDISON SPEC. UCS V4H11, V716



AUTOCAD 2005