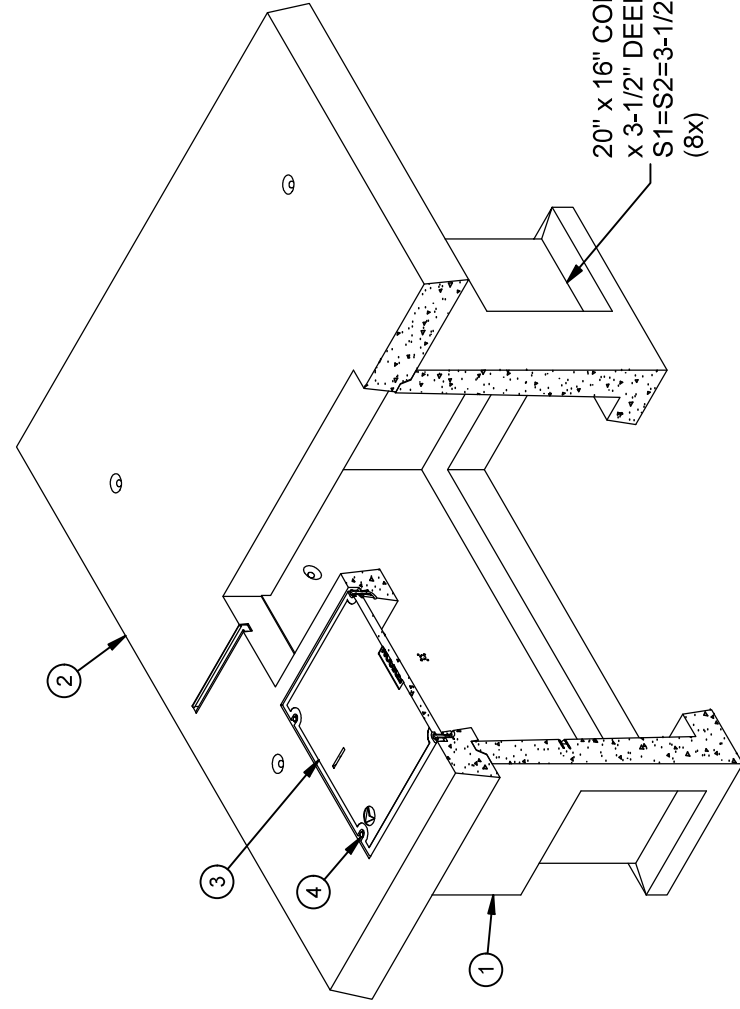


BILL OF MATERIALS

ITEM	UNIT QTY	QTY	PART NUMBER	DESCRIPTION
1	1	1	100012313	Vault 488x42 Rect. Bottom Section Thinwall ED/AN/RP/AZ UGS SS530, SB-2
2	1	1	200015165	Pad 96120x8 EDISON UGS SS530
3	1	1	100007038	COVER 3048 POLYMER EDISON
4	1	6	100008105	PENTA BOLT 1/2-13 UNC 2-1/2 304SS W/CAPWASH
5	1	1	100005749	SEALANT JOINT BUTYL RUBBER ASTM C-990 AND M198 CS-102 1IN EQUIV X14.5FT PER BOX 118FT

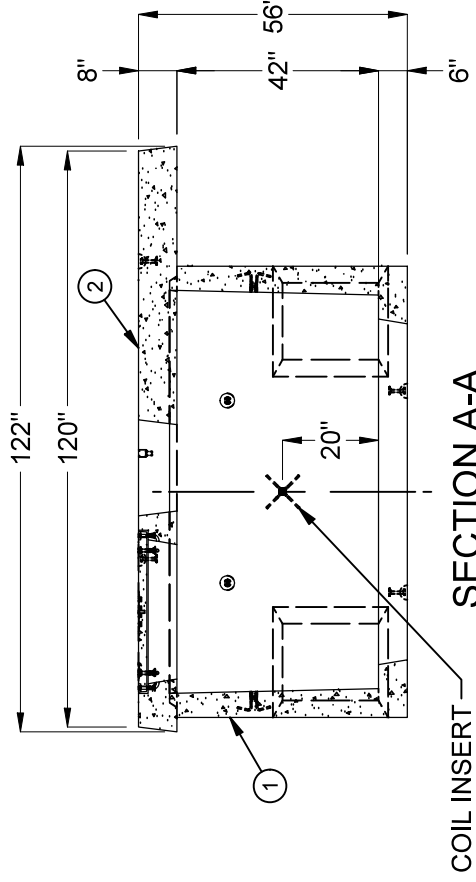


ISO VIEW

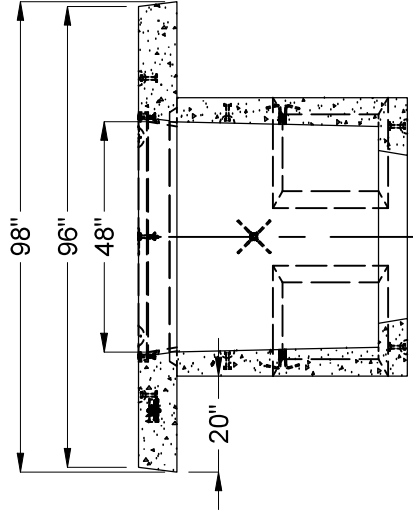
DESIGN NOTES

- SUBSTRUCTURE CONCRETE DESIGNED PER ASTM C857, LOAD DESIGNATION A-16 (AASHTO HS-20-44) TRAFFIC LOADING USING ASTM A-706 GR. 60. STEEL REINFORCEMENT PER CALCS. #31654.
- PAD CONCRETE DESIGNED PER ASTM C857 LOAD DESIGNATION A-0.3 (300 PSF) PARKWAY LOADING USING 5,500 PSI CONCRETE AND ASTM A-706 GR. 60. STEEL REINFORCEMENT PER CALCS. #31654.
- MINIMUM EXCAVATION SIZE: 5'-10" X 8'-10" X DEPTH REQ'D.
- FOR COMPLETE DESIGN AND PRODUCT INFORMATION CONTACT JENSEN PRECAST.
- COVER DESIGN FOR PARKWAY LOADING (300 PSF).
- VAULT TO BE PLACED ON A MIN. 6" BASE OF CRUSHER RUN FOR EASE OF INSTALLATION AND EVEN LOAD DISTRIBUTION.
- ALL PARTS TO BE STENCILED: MFG DATE / JOB NUMBER / PRODUCT ID / WEIGHT.

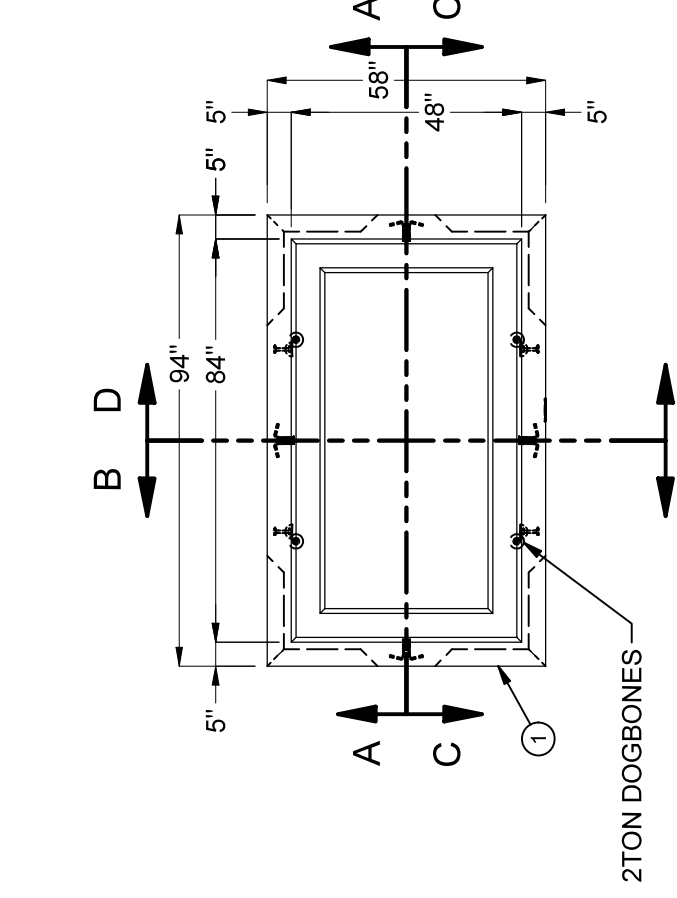
BURY DEPTH:	-0.3' - 0.3' to Top of Top Slab
WATER LEVEL:	3.0'
DESIGN SPEC:	ASTM C857, ACI 318
AGENCY:	EDISON
WEIGHT:	12928.96 Lbs
LOADING SPEC:	A-03 (300 psf)
AGENCY SPEC:	UGS SS530, SB-2



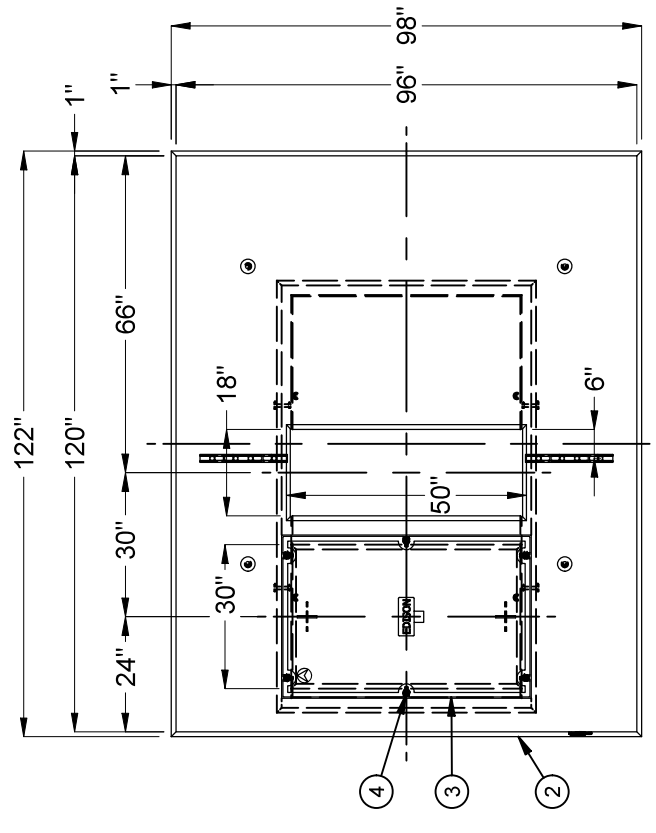
SECTION A-A



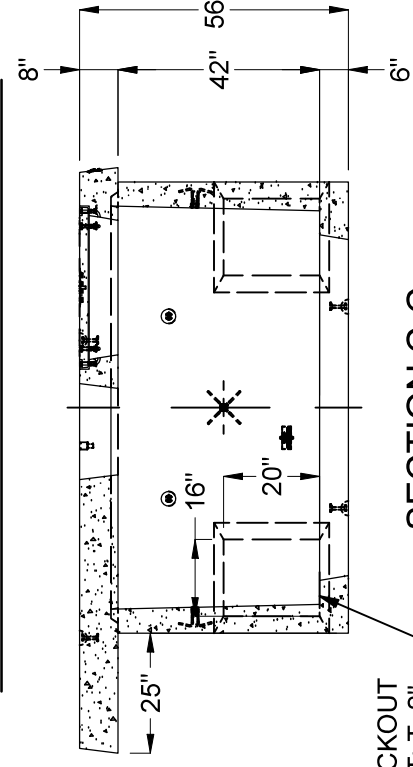
SECTION B-B



PLAN VIEW W/O EQUIPMENT PAD

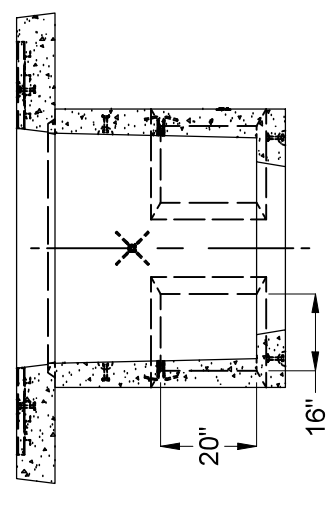


PLAN VIEW OF EQUIPMENT PAD



SECTION C-C

20" x 16" CORNER KNOCKOUT
x 3-1/2" DEEP DRAFT: T=2",
S1=S2=3-1/2", B=2"
(8x)



SECTION D-D

REVISION HISTORY			
REV	DESCRIPTION	DATE	APPROVED
B	INITIAL RELEASE	3/23/2021	

DESCRIPTION:	KIT, 8X10X42 SLAB BOX EDISON		
PART NUMBER:	100010599	DRAWN BY:	J. Prado
CREATED:	5/24/2019	MODIFIED:	3/23/2021
LAYOUT REVIEW			

©2018 Jensen Precast-All rights reserved. All materials appearing as Jensen Precast documents and the like are proprietary work product and are protected under U.S. copyright and other laws. Unless in conjunction with business conducted with Jensen Precast, any use of Jensen Precast work product without express, written consent is prohibited, and recipient is prohibited from distributing any and all work product to non-approved third parties under penalty of civil action.

REV:	B-1	124
SHEET:	1 OF 1	