

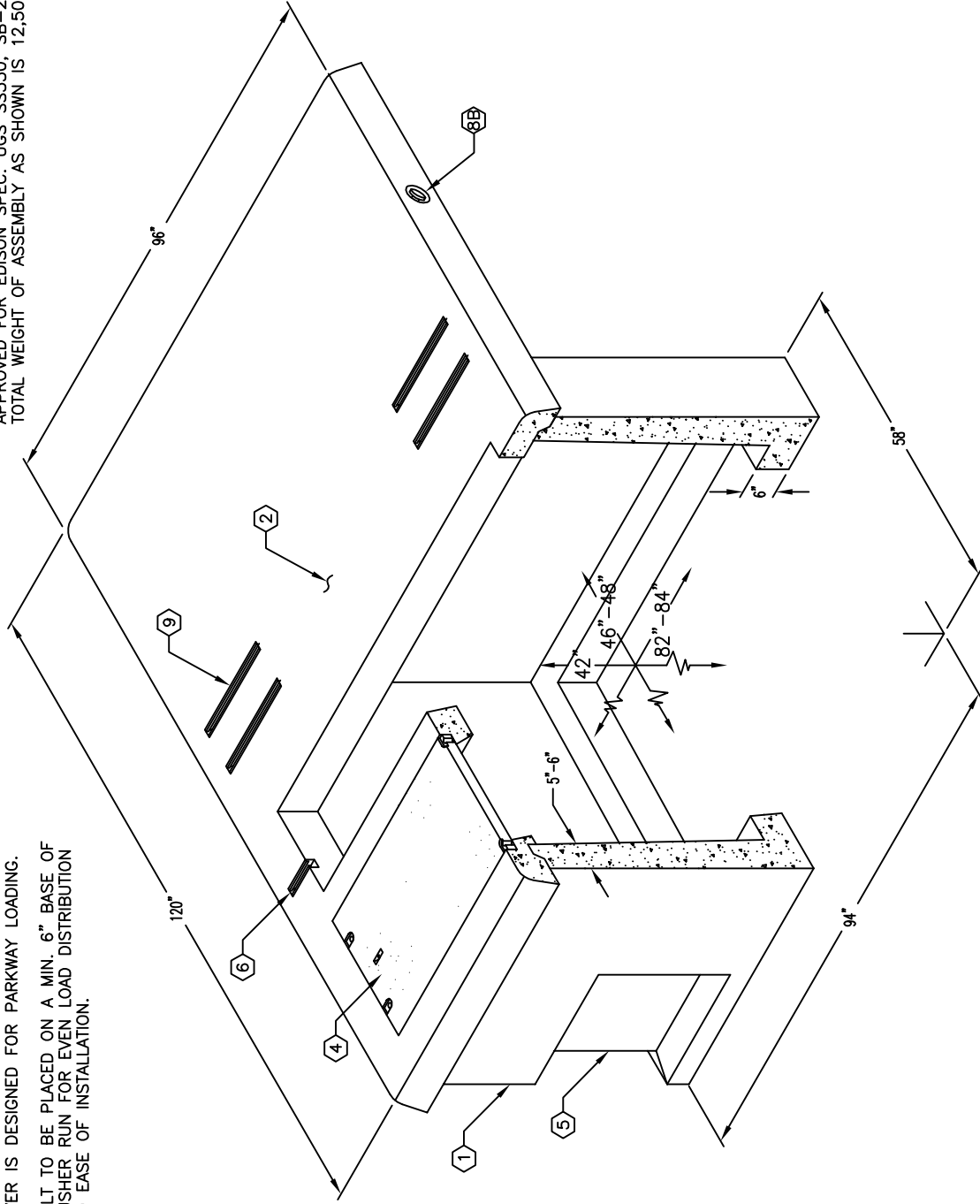
8'-0" x 10'-0" x 8" EQUIPMENT PAD W/4'-0" x 7'-0" ENCLOSURE x 42" DEEP

MATERIAL LIST- K810-SB42-538-11

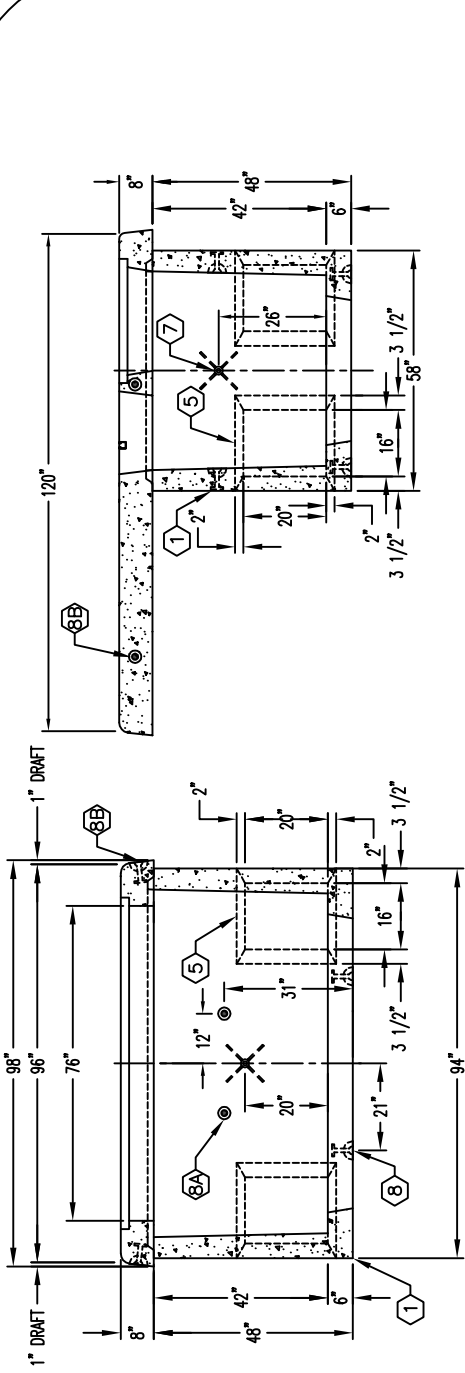
ITEM	PART NO.	DESCRIPTION	CAGE NO./ LOCATE	WEIGHT/ MOUNT
1	SB47-B42-11	42" BOTTOM SECTION	CG-SB47-B42-11(30)	6,400 lbs
2	PD96120-T8-538-11	8" EQUIPMENT PAD w/ CAST-IN FRAME	CG-PD96120-T8-538-11	5,960 lbs
3	SCB47-140	TRANSFORMER PAD BEAM FOR PD8496 / PD96120-T8-538 SERIES		
4	12-20-10	(2) 24" x 36" RPM COVER MARKED "EDISON" (8) 1/2" x 2-1/2" P.H.S.S. BOLT WITH CAPTIVE WASHERS (2) LIFT EYES		
5	KNOCK OUT	16" x 20" K.O. x 3-1/2" DEEP DRAFT: T=2", S1= 3-1/2", S2= 3-1/2", B=2"	BOTTOM SECTION	(8) SHELL
6	55-21-008	1-5/8" x 1-5/8" UNISTRUT x 8" LONG	TRANSFORMER PAD	(2) TABLE
7	55-10-830	1" GALV. COIL THREAD INSERT	BOTTOM SECTION	(4) CORE
8A	55-20-203	2 TON x 3 3/8" SL ANCHOR	BOTTOM SECTION	(4) SURFACE & CORE
8B	55-20-409	4 TON x 9" SL ANCHOR	TRANSFORMER PAD	(4) SIDE
9	55-21-024	1-5/8" x 1-5/8" UNISTRUT x 24" LONG	TRANSFORMER PAD	(4) TABLE
10	55-10-416	1/2" x 1-1/2" P-35T OPEN BOTTOM	TRANSFORMER PAD	(8) FRAME

NOTES:

- TRANSFORMER PAD AND ENCLOSURE ARE DESIGNED FOR PARKWAY LOADING AND TRANSFORMER WEIGHT PER CALCS. #32736 USING 5,500 PSI COMPRESSIVE STRENGTH CONCRETE.
 - COVER IS DESIGNED FOR PARKWAY LOADING.
 - VAULT TO BE PLACED ON A MIN. 6" BASE OF CRUSHER RUN FOR EVEN LOAD DISTRIBUTION AND EASE OF INSTALLATION.
- THE FOLLOWING MATERIAL TO BE SHIPPED WITH EACH VAULT:
(6) 7/8" x 1 3/4" CONSEAL GASKET (45 FT. REQ'D).
- ORDERING INFORMATION:
K810-SB42-538-11 FOR ASSEMBLY AS SHOWN.
APPROVED FOR EDISON SPEC. UGS SS530, SB-2.
TOTAL WEIGHT OF ASSEMBLY AS SHOWN IS 12,500 lbs.

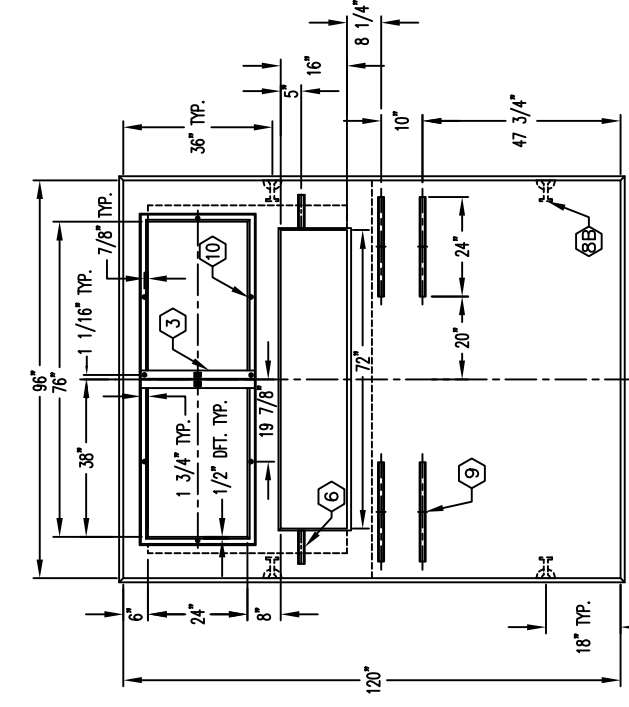


#	DATE	DESCRIPTION	BY
A	7-25-11	MOVED COIL INSERTS	JEM

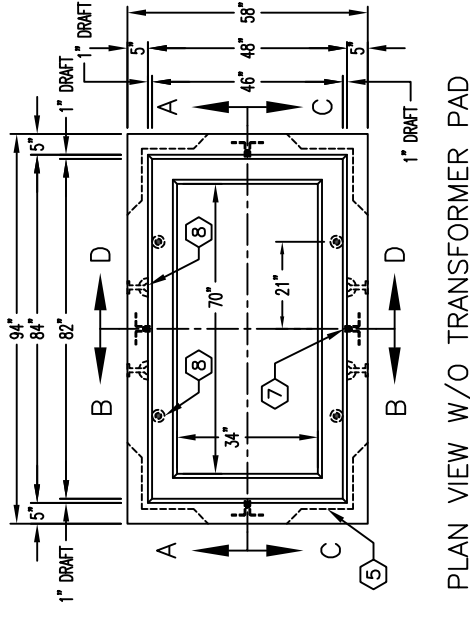


SECTION A-A

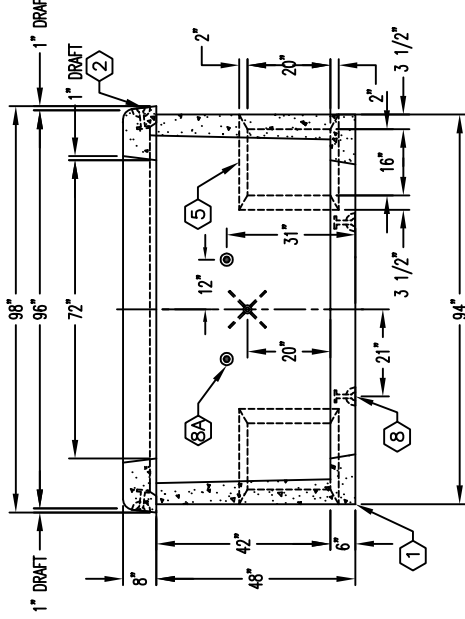
SECTION B-B



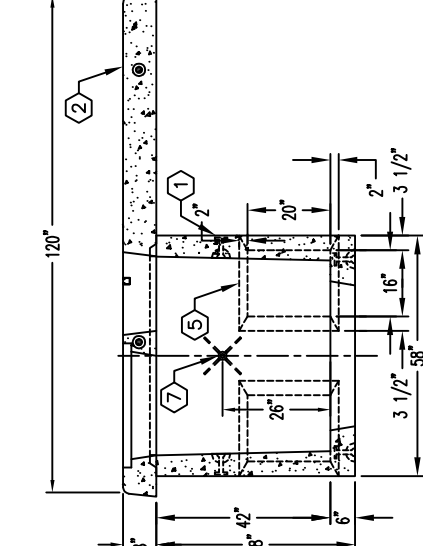
PLAN VIEW OF TRANSFORMER PAD



PLAN VIEW W/O TRANSFORMER PAD



SECTION C-C



SECTION D-D

MINIMUM EXCAVATION SIZE:
5'-6" x 8'-6" x DEPTH REQ'D.

#	DATE	DESCRIPTION	BY
A	7-25-11	MOVED COIL INSERTS	JEM