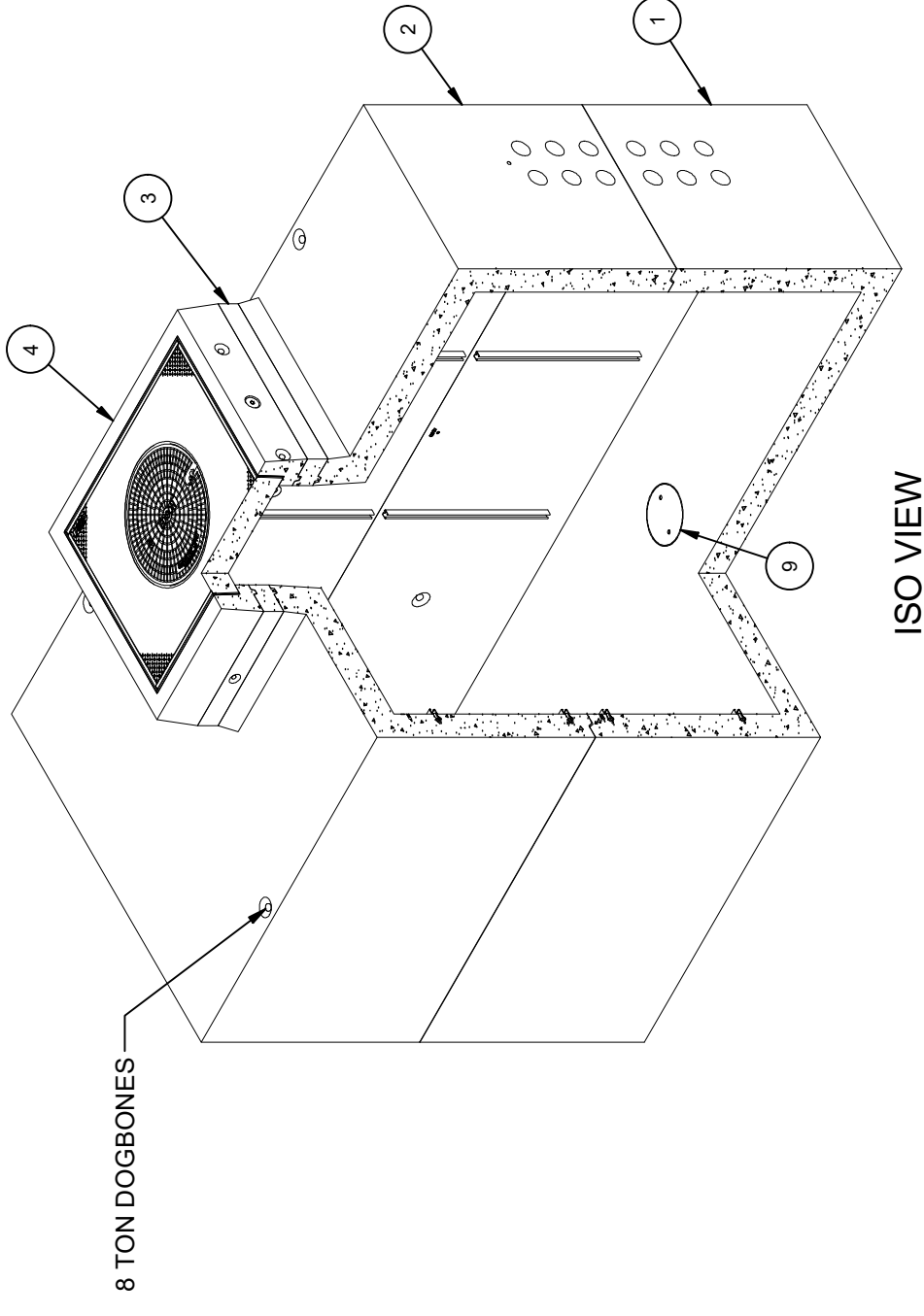


DESIGN NOTES

- DESIGNED IN ACCORDANCE WITH AASHTO HS20-44 TRAFFIC BRIDGE LOADING USING 5,500 PSI COMPRESSIVE STRENGTH CONCRETE AND 60,000 PSI YIELD STRENGTH ASTM A-706 STEEL REINFORCEMENT PER CALCS. #34506.
- MINIMUM EXCAVATION SIZE: 10'-4" X 18'-4" DEPTH REQ'D.
- VAULT TO BE PLACED ON A MIN. 6" BASE OF CRUSHER RUN FOR EASE OF INSTALLATION AND EVEN LOAD DISTRIBUTION.
- FINISH COATING: ALL INTERIOR WALLS AND CEILING SHALL BE PAINTED WHITE.
- FOR COMPLETE DESIGN AND PRODUCT INFORMATION CONTACT JENSEN PRECAST.

BILL OF MATERIALS

ITEM	UNIT QTY	QTY	PART NUMBER	DESCRIPTION	MASS (lb)
1	1	1	100009741	Vault 96192x57 Rect. Bottom Section Terminators Sump Edison UGT 007	40222
2	1	1	100012846	Vault 96192x57 Rect. Top Section 48"x60"E Terminators, Opening Edison UGT 007	40491
3	1	1	200012851	Riser 4860x6 LADWP 1-802 2B	1169
4	1	1	200040425	Vault Neck and Plug Cover Assembly 4860x12 30"C Edison UGS VA 470 & FC 641 Swiveloc	4046
5	1	4	100009239	ROD THREADED COIL YELLOW DIP 3/4 X 10-1/2"	
6	1	8	100007136	WASHER FLAT 3/4 REGULAR TYPE A ZINC	
7	1	8	100007010	HEX COIL NUT 3/4-4.5 POST YELLOW DIP	
8	1	4	100022758	GROUND ANCHOR BRACKET KIT HALO HB304R	2
9	1	1	100007066	SUMP COVER 14-3/4IN X 1/4IN POLYMER	
10	1	4	100006061	STRUT SLOTTED C-CHANNEL 1-5/8 X 1-5/8 12GA BOLT-ON GALV 168IN	26
11	1	8	100008136	STRUT SLOTTED C-CHANNEL 1-5/8 X 1-5/8 12GA BOLT-ON GALV 48IN	7
12	1	68	100008101	SCREW BUTT HEAD CAP 1/2-12 2 304SS	
13	1	68	100007135	WASHER FLAT 1/2 REGULAR TYPE A 304SS	
14	4.860 gal	4.860 gal	100006420	COATING PAINT LATEX WHITE	
15	1.000 ul	1.000 ul	100005749	SEALANT JOINT BUTYL RUBBER ASTM C-990 AND M198 CS-102 1IN EQUIV X14.5FT PER BOX 118FT	



LIFTING NOTES

- FIELD INSTALLATION: PLANT DEMOLING: MINIMUM HANDLING CONCRETE STRENGTH F_c = 5500 PSI RIGGING EQUALIZER REQUIRED TO EQUALIZE LOAD TO 4 LIFTING POINTS WITH A SLING ANGLE BETWEEN 60° AND 90°
- BURY DEPTH: 1.5' - 4.0' to Top
- WATER LEVEL: 3.0'
- APPROX. WEIGHT: 86119.68 Lbs
- DESIGN SPEC: ACI 318, ASTM C857
- LOADING SPEC: A-16 (AASHTO HS20-44)
- AGENCY: Edison
- AGENCY SPEC: UGT 007

REVISION HISTORY	
REV	DESCRIPTION
B-1	RELEASED IN INVENTOR
	DATE 3/28/2024
	APPROVED

DESCRIPTION: Vault Layout 96192x114 Terminators Sump 30"E Edison UGT 007 Int. Paint - White Latex

REV: B-2

PART NUMBER: 100010614

CREATED: 8/13/2019

DRAWN BY: D. Mejia

MODIFIED: 3/28/2024

LAYOUT REVIEW

SHEET: 1 OF 2



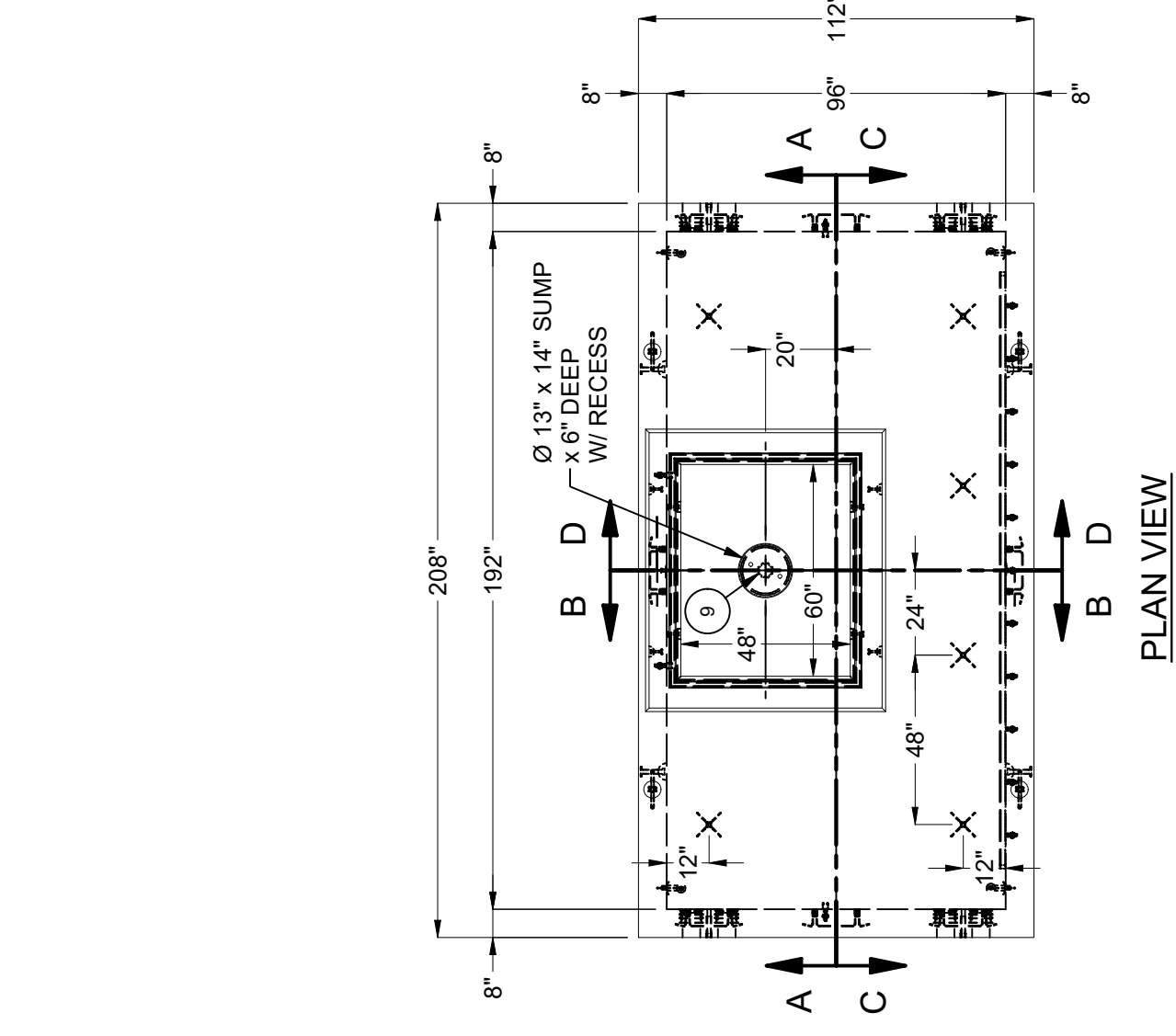
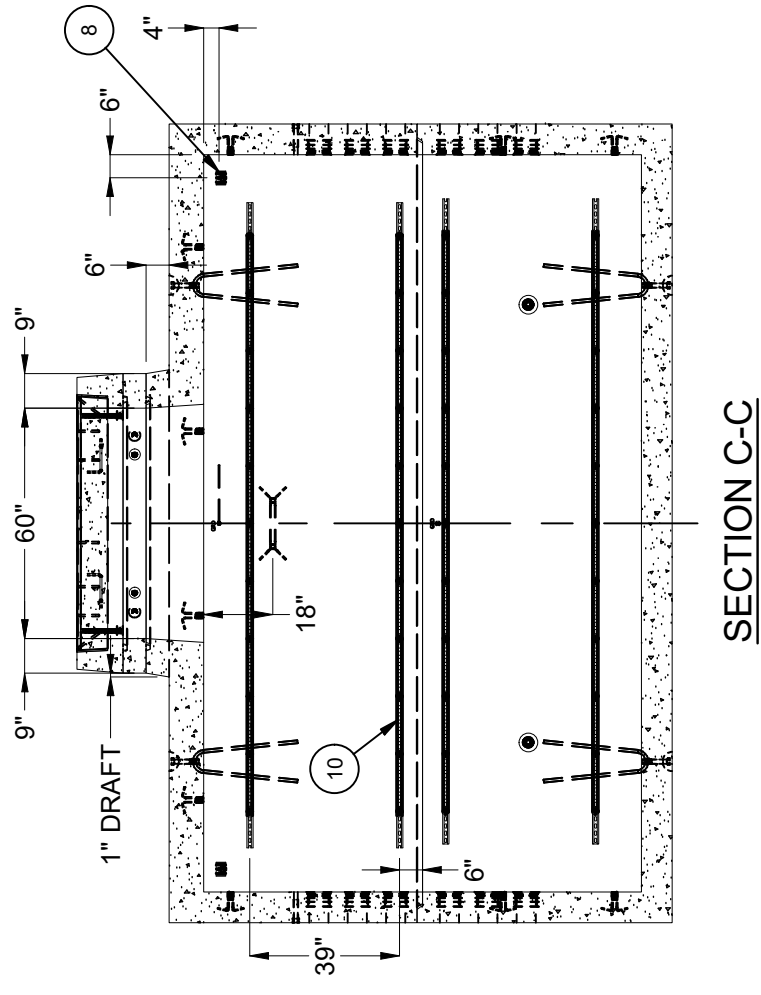
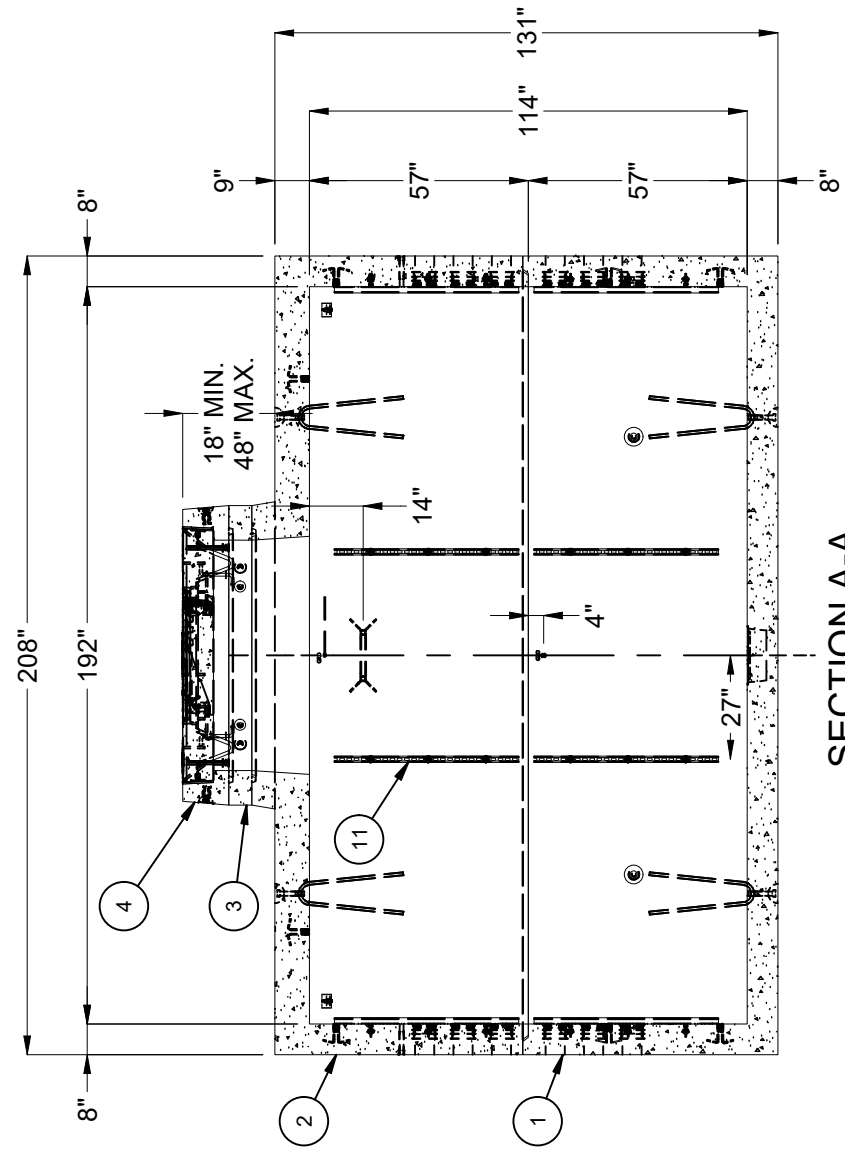
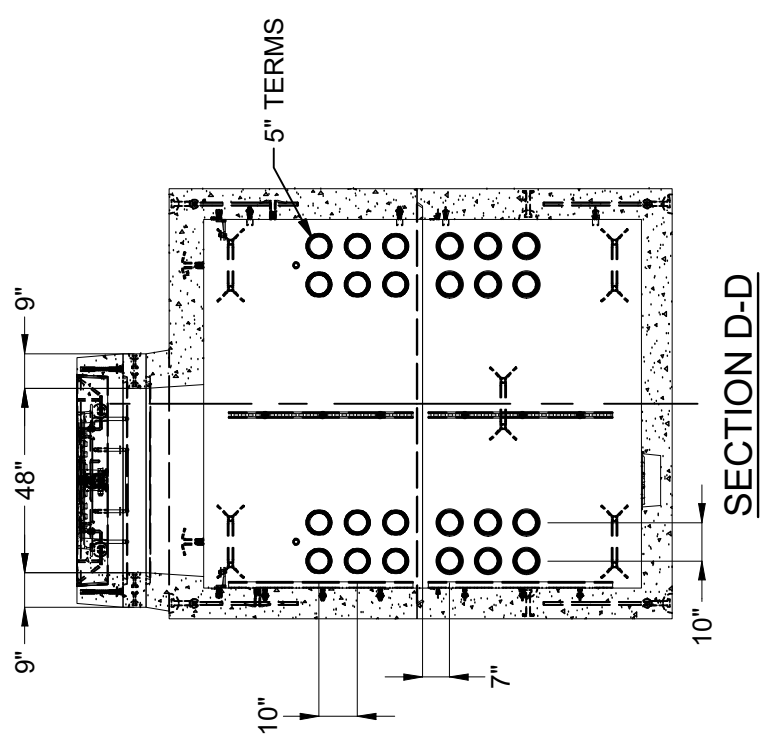
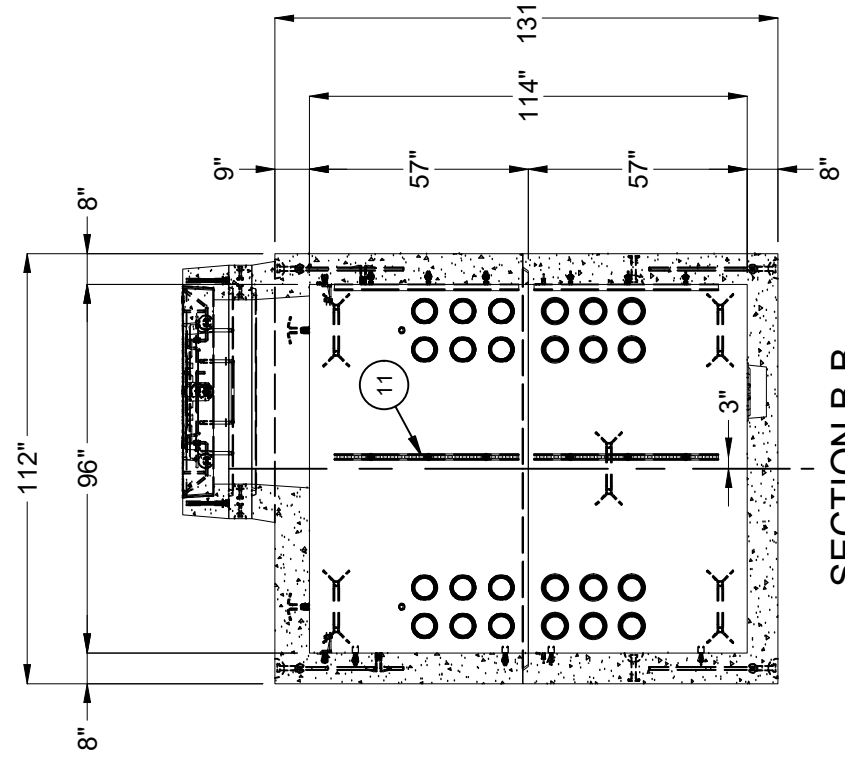
EST. 1968

WWW.JENSENPRECAST.COM

©2024 Jensen Precast. All rights reserved. All materials appearing as Jensen Precast documents and the like are proprietary work product and are protected under U.S. copyright and other laws. Unless in conjunction with business conducted with Jensen Precast, any use of Jensen Precast work product without express, written consent is prohibited, and recipient is prohibited from distributing any and all work product to non-approved third parties under penalty of civil action.

MPI 19010001

MPI'19010001



BURY DEPTH: 1.5' - 4.0' to Top WATER LEVEL: 3.0' DESIGN SPEC: ACI 318, ASTM C857 AGENCY: Edison	APPROX. WEIGHT: 86119.68 Lbs LOADING SPEC: A-16 (AASHTO HS20-44) AGENCY SPEC: UGT 007	 WWW.JENSENPRECAST.COM	DESCRIPTION: Vault Layout 96192x114 Terminators Sump 30"E Edison UGT 007 Int. Paint - White Latex LAYOUT DRAWING DRAWN BY: D. Mejia MODIFIED: 3/28/2024	REV: B-2 SHEET: 127 2 OF 2
	1.5' - 4.0' to Top APPROX. WEIGHT: 86119.68 Lbs LOADING SPEC: A-16 (AASHTO HS20-44) AGENCY SPEC: UGT 007			PART NUMBER: 100010614 CREATED: 8/13/2019

©2024 Jensen Precast. All rights reserved. All materials appearing as Jensen Precast documents and the like are proprietary work product and are protected under U.S. copyright and other laws. Unless in conjunction with business conducted with Jensen Precast, any use of Jensen Precast work product without express, written consent is prohibited, and recipient is prohibited from distributing any and all work product to non-approved third parties under penalty of civil action.