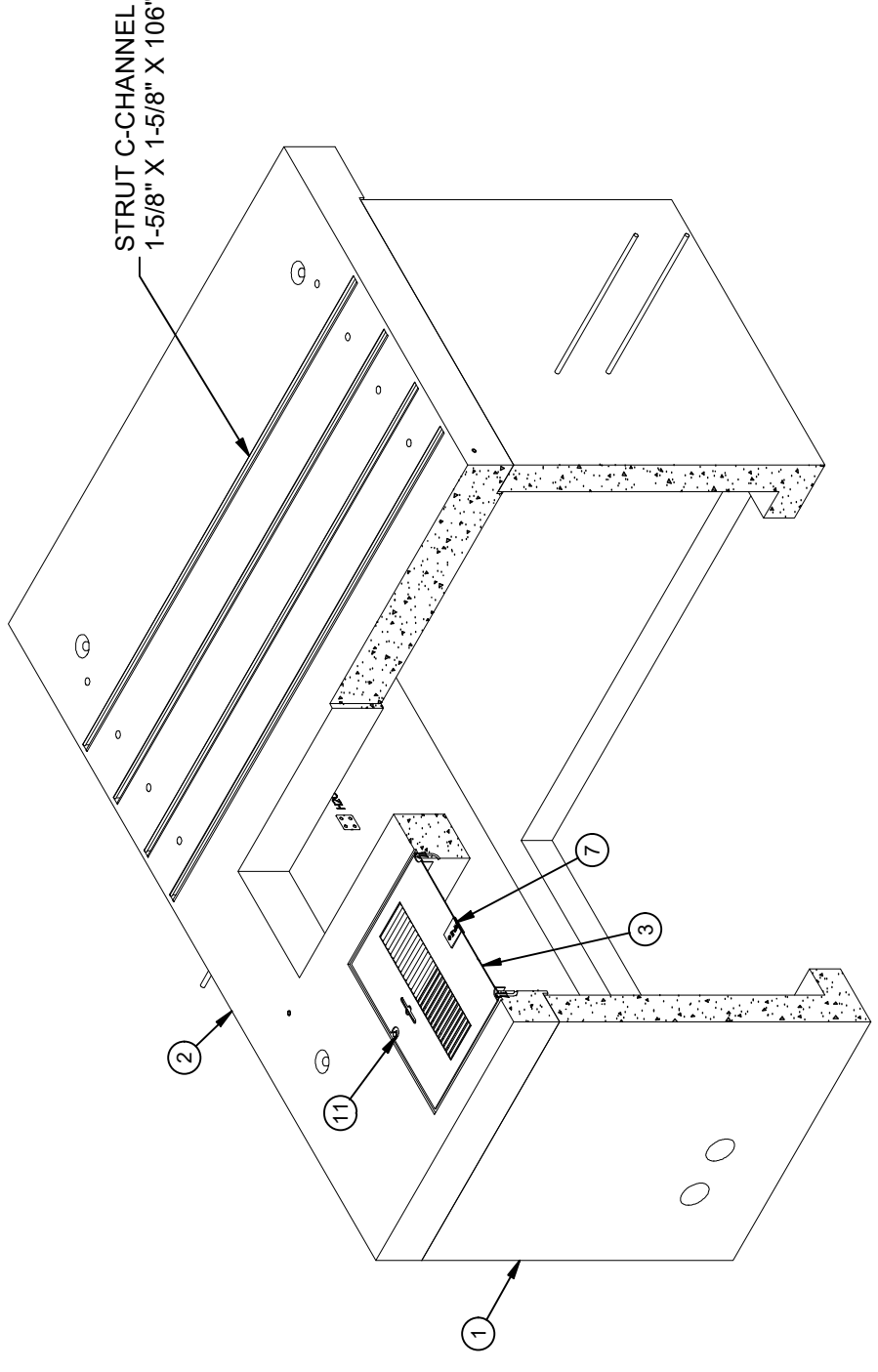


DESIGN NOTES

- CONCRETE DESIGNED IN ACCORDANCE WITH L.A.D.W.P. SPEC. P178, ACI 318R-11, AND ASTM C857-14, USING 5,500 PSI COMPRESSIVE STRENGTH CONCRETE AT 28 DAYS AND 60,000 PSI YIELD STRENGTH ASTM A-706 STEEL REINFORCEMENT PER CALC. #32950.
- COVER IS DESIGN FOR 300 PSF PARKWAY LOADING PER CALC. #32215.
- INSTALLATION. VAULT TO BE PLACED ON A MIN. 6" COMPACTED CRUSHED ROCK 1", GRADE A or CONCRETE AGGREGATE #3, GRADE B (SSPWC, SUBSECTIONS 200-1.2 & 200-1.4), INSTALLATION AND EVEN LOAD DISTRIBUTION.
- CONCRETE MIX USED IN POURING THIS PRODUCT SHALL USE FLY ASH AND DCI AS AN ADMIXTURE.
- EACH CONCRETE SECTION SHALL BE STENCILED ON THE INSIDE & OUTSIDE WITH "JENSEN PRECAST", THE DESIGNATION "DWP/FA-CN" or "DWP/F-CN-SC" IF SCC MIX USED, AND THE DATE OF POUR.
- EACH CONCRETE SECTION SHALL HAVE CAST-IN ON THE INSIDE "JENSEN", THE YEAR, AND THE DESIGNATION "FA-CN" or "F-CN-SC" IF SCC MIX USED.
- MINIMUM EXCAVATION SIZE: 10'-0" X 12'-0" X DEPTH REQ'D.
- FOR COMPLETE DESIGN AND PRODUCT INFORMATION CONTACT JENSEN PRECAST.

BILL OF MATERIALS

ITEM	UNIT QTY	QTY	PART NUMBER	DESCRIPTION	MASS(lb)
1	1	1	100012300	Vault 96120x55 Rect. Bottom Section Flat Terminators LADWP UB721-19-G3	17018
2	1	1	100012258	Pad 108144x10 LADWP UB721-19	10427
3	1	1	100006642	DAS1-SD-3048-DX-DP-G-V-FONT-(SC3048-PAGV-12-VENT)	203
4	1	6	100007116	ROD THREADED NC E-PLTDW/NUT&WSHR 7/8 X 14	
5	1	2	100005170	STRUCTURAL ANGLE EQUAL - A36 STEEL - L 6 x 6 x 3/8	35
6	1	2	100007587	PLATE 1X10X30 W/HLS 3/8 PLT WLD GALV	25
7	1	1	100006748	NAME PLATE SS - LADWP-E	
8	1	2	100006067	STRUT SLOTTED C-CHANNEL 1-5/8 X 1-5/8 12GA BOLT-ON GALV 72IN	5
9	1	12	100008101	SCREW BUTT HEAD CAP 1/2-12 2 304SS	
10	1	12	100007134	WASHER FLAT 1/2 REGULAR TYPE A 316SS	
11	1	4	100007122	BOLT PENTA 1/2-13 UNC 0.875 HEAD 1.5L 304SS	
12	1	6	100003545	BOLT HEX 3/4-10 UNC 2 ZINC	
13	1	1	100007588	PLATE 8X1/4X7-8 W/SLOTS GALV	25
14	1	2	100008106	PENTA BOLT 5/8X1-1/2 W/CAPWASH	
15	1	1	100005749	SEALANT JOINT BUTYL RUBBER ASTM C-990 AND M198 CS-102 1IN EQUIV X14.5FT PER BOX 118FT	



ISO VIEW

LIFTING NOTES

- FIELD INSTALLATION: PLANT DEMOLDING: MINIMUM HANDLING CONCRETE STRENGTH F_c = 5500 PSI RIGGING EQUALIZER REQUIRED TO EQUALIZE LOAD TO 4 LIFTING POINTS WITH A SLING ANGLE BETWEEN 60° AND 90°
- BURY DEPTH: -0.8' - 0.8' to Top of Top Slab
- WATER LEVEL: Below Structure WEIGHT: 27809.25 Lbs
- DESIGN SPEC: ASTM C857 LOADING SPEC: A-16 (AASHTO HS20-44)
- AGENCY: LADWP AGENCY SPEC: UB721-19



WWW.JENSENPRECAST.COM

©2018 Jensen Precast. All rights reserved. All materials appearing as Jensen Precast documents and the like are proprietary work product and are protected under U.S. copyright and other laws. Unless in conjunction with business conducted with Jensen Precast, any use of Jensen Precast work product without express, written consent is prohibited, and recipient is prohibited from distributing any and all work product to non-approved third parties under penalty of civil action.

REVISION HISTORY		REVISION HISTORY	DATE	APPROVED
REV	DESCRIPTION	DESCRIPTION	DATE	APPROVED
C	REVISED THROUGH HOLES & ADDED EXTRA 3/4" INSERTS		11/23/2021	

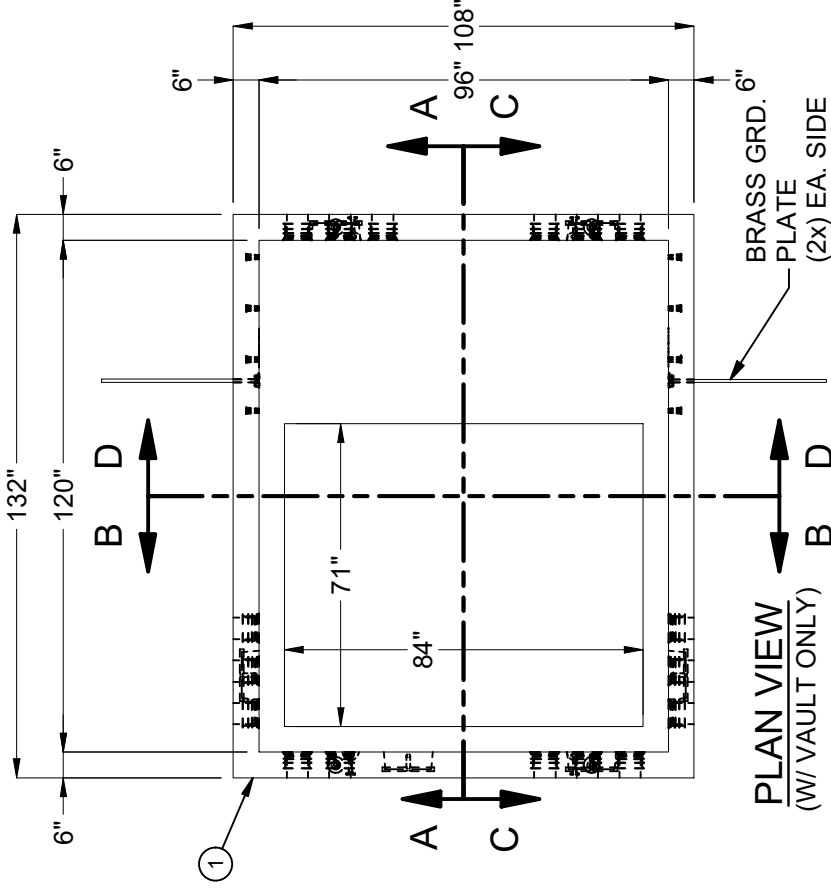
DESCRIPTION: Utility Vault 96120 Layout Assembly LADWP UB721-19-G3

LAYOUT REVIEW

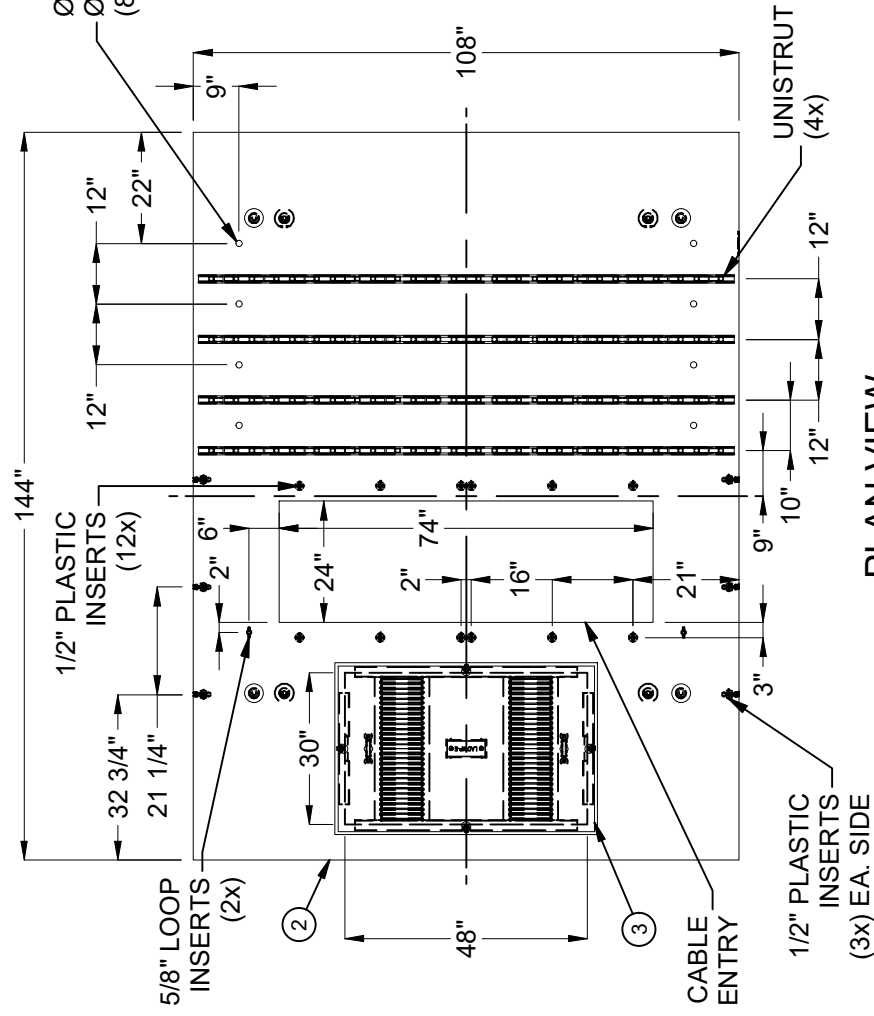
PART NUMBER: 100010634 DRAWN BY: J. Prado

CREATED: 12/16/2019 MODIFIED: 11/23/2021

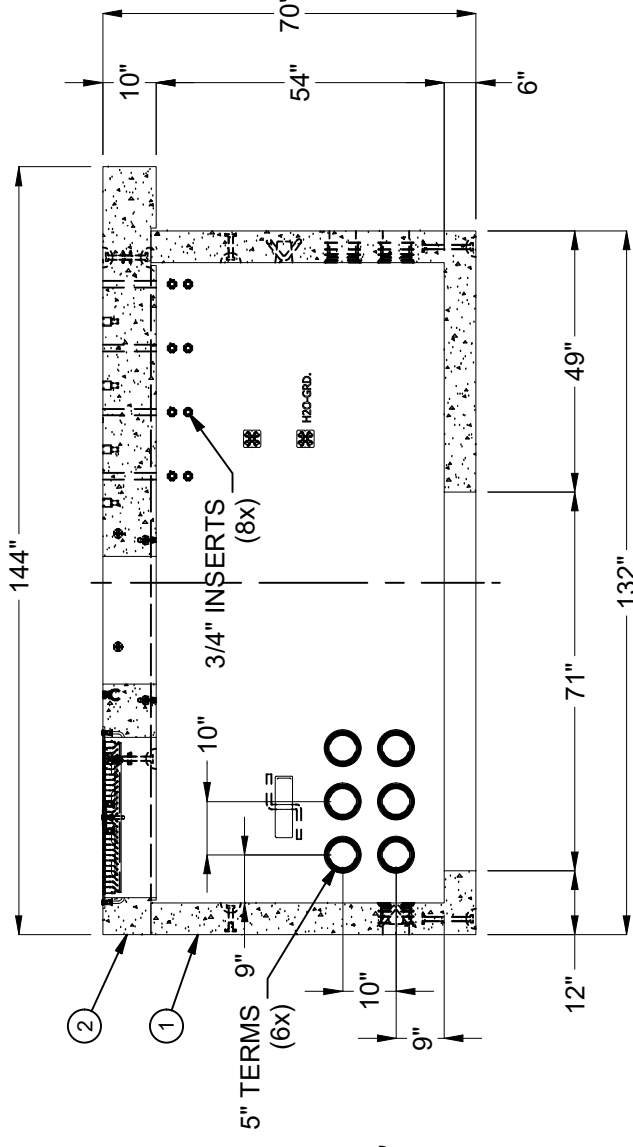
REV: C-167 SHEET: 1 OF 2



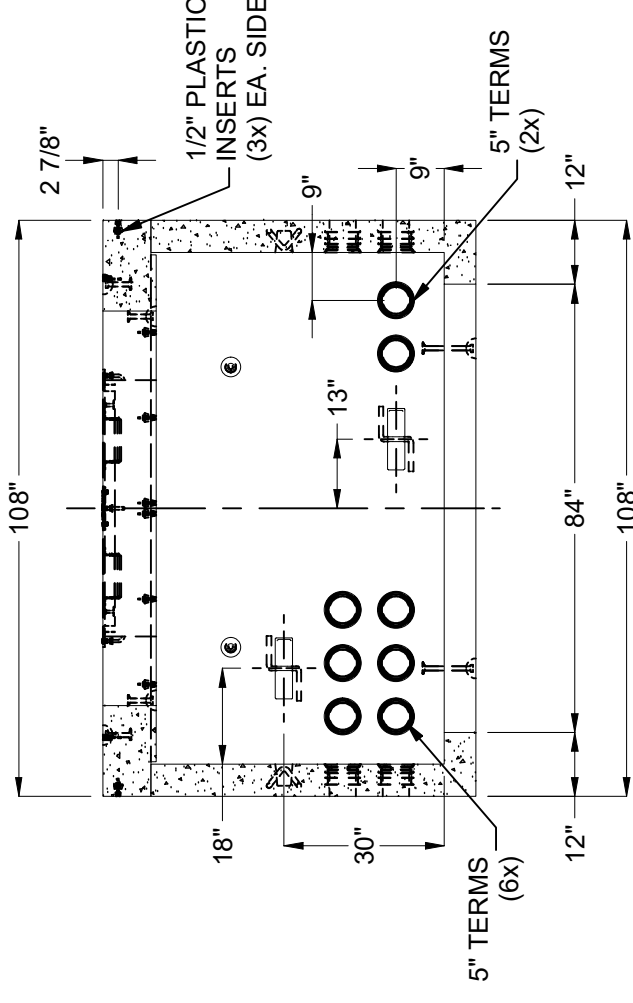
PLAN VIEW
(W/ VAULT ONLY)



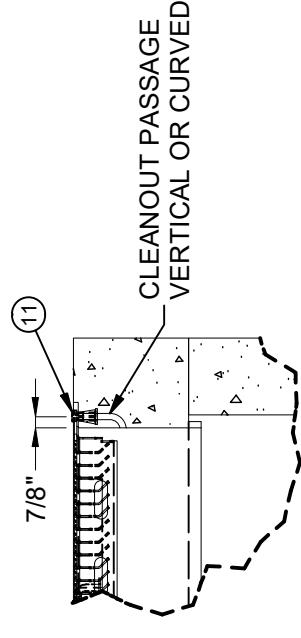
PLAN VIEW
(W/ TRANSFORMER PAD)



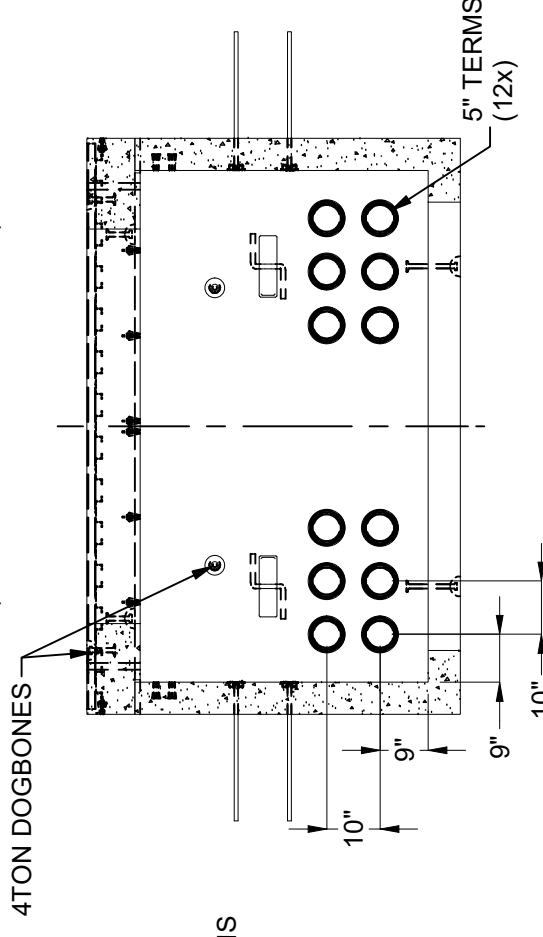
SECTION A-A



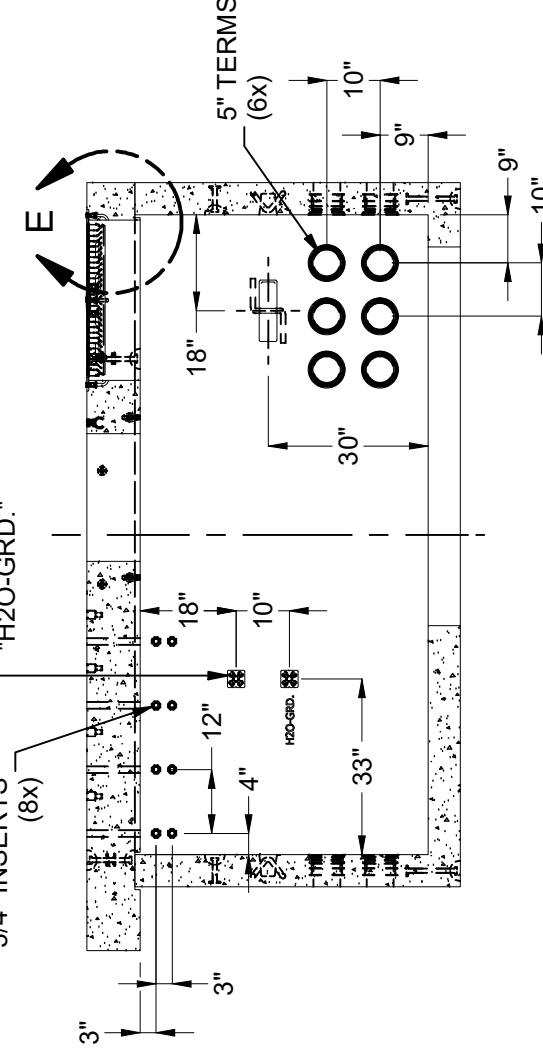
SECTION B-B



DETAIL E
(INSERTS AROUND OPENING)



SECTION C-C



SECTION D-D

BURY DEPTH:	-0.8' - 0.8' to Top of Top Slab
WATER LEVEL:	Below Structure
DESIGN SPEC:	ASTM C857
AGENCY:	LADWP
WEIGHT:	27809.25 Lbs
LOADING SPEC:	A-16 (AASHTO HS20-44)
AGENCY SPEC:	UB721-19

©2018 Jensen Precast-All rights reserved. All materials appearing as Jensen Precast documents and the like are proprietary work product and are protected under U.S. copyright and other laws. Unless in conjunction with business conducted with Jensen Precast, any use of Jensen Precast work product without express, written consent is prohibited, and recipient is prohibited from distributing any and all work product to non-approved third parties under penalty of civil action.

JENSEN PRECAST EST. 1968
WWW.JENSENPRECAST.COM

DESCRIPTION:	Utility Vault 96120 Layout Assembly LADWP UB721-19-G3
PART NUMBER:	100010634
CREATED:	12/16/2019
LAYOUT REVIEW	J. Prado
DRAWN BY:	J. Prado
MODIFIED:	11/23/2021
REV:	C-16
SHEET:	88
	2 OF 2