

9'-6" x 12'-0" TRANSFORMER PAD 'G2' W/8'-0" x 10'-0" 'G2' VAULT x 54" DEEP

MATERIAL LIST

ITEM PART NO.	DESCRIPTION	WEIGHT/ MOUNT
1 SB810-L55-G2-12	8'-0" x 10'-0" x 55" LOWER SECTION 'G2'	15,850 lbs
2 PD114144-T10-G2-12	9'-6" x 12'-0" TRANSFORMER PAD 10" THICK	10,650 lbs
3 SC3048-PAGV-12	(1) PIECE GALV. SOLID COVER NAME PLATE "LADWP"	139 lbs.
4 55-10-416	W/4-1/2" x 1-1/2" S.S.P.H. BOLTS (2) GALV. DROP HANDLES	(4) TABLE
5 55-20-078	1/2" DIA. x 1 1/2" NC P35T OPEN BTM INSERT W/ CLEAN OUT HOLE ERICO 500KCM BRASS GROUND PLATE (B1643Q) W/ 7/8" x 36" LONG INSULATED STRANDED COPPER WIRE, FOR DETAIL SEE DWG "GRND-PLATE-500KCMIL-12"	(2) CORE
6 55-10-424	1/2" DIA. PLASTIC W/ SNAP INSERT FOR UNISTRUT AND ANGLE SUPPORTS FOR GRATES	(12) SURFACE
7 KNOCKOUT	48" W x 42" H OPENING	(1) CORE
8 55-30-52	5" DIA. TERMS	(26) CORE
9 55-20-409	4 TON x 9 1/2" GALV. DOGBONE ANCHOR FOR HANDLING	(4) SURFACE
10 55-20-404	4 TON x 4-3/4" GALV. DOGBONE ANCHOR FOR HANDLING	(4) TABLE, (4) SURFACE
11 55-35-03	7/8" DIA. x 3-3/8" GALV. RECESSED PULL IRON	(6) CORE
12 HOLE	1 1/4" DIA. HOLE FOR 3/4" DIA. THREADED BOLT	(6) TABLE
13 55-10-630	3/4" DIA. x 2 7/8" NC THREADED P-56T INSERT	(12) CORE
14 55-10-660	3/4" DIA. x 5" GALV. CX-24 THIN SLAB COIL INSERT	(3) SHELL
15	2" DIA. PVC TUBE x 6" LONG	(2) SHELL
16 55-21-110	1 5/8" x 1 5/8" x 110" LONG GALV. UNISTRUT CAST-IN	(2) CORE
17 55-10-525	5/8" DIA. x 3 1/2" (NC THREAD LENGTH 1 5/8") ELECT. FX-5 FERRULE LOOP INSERT - (TIED TO REBAR)	(3) TABLE (2) TABLE

NOTES:

VAULT DESIGNED IN ACCORDANCE WITH L.A.D.W.P. SPEC C721, ACI 318 & ASTM C857, USING 5,500 PSI CONCRETE AND ASTM A-706 GR.60 STEEL REINFORCEMENT PER CALCS. #33790.

COVER DESIGNED FOR PARKWAY (300 PSF) LOADING PER CALC. #32215.

CONCRETE MIX USED IN POURING THIS PRODUCT SHALL USE FLY ASH AND DCI AS AN ADMIXTURE.

EACH CONCRETE SECTION SHALL BE MARKED ON THE INSIDE & OUTSIDE WITH "JENSEN PRECAST", THE DESIGNATION "DWP/FA-CN" or "DWP/F-CN-SC" IFF SCC MIX USED, AND THE DATE OF POUR.

EACH CONCRETE SECTION SHALL HAVE CAST-IN ON THE INSIDE "JENSEN", THE YEAR, AND THE DESIGNATION "FA-CN" or "F-CN-SC" IFF SCC MIX USED.

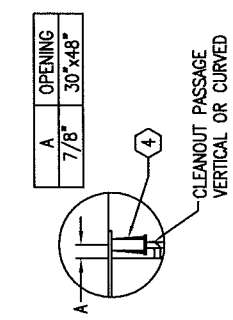
VAULT TO BE PLACED ON A MIN. 6" COMPACTED CRUSHED ROCK 1", GRADE A or CONCRETE AGGREGATE NO. 3 GRADE B (SSPWC, SUBSECTIONS 200-1.2 & 200-1.4), FOR EASE OF INSTALLATION AND EVEN LOAD DISTRIBUTION.

THE FOLLOWING MATERIALS ARE TO BE SHIPPED LOOSE:

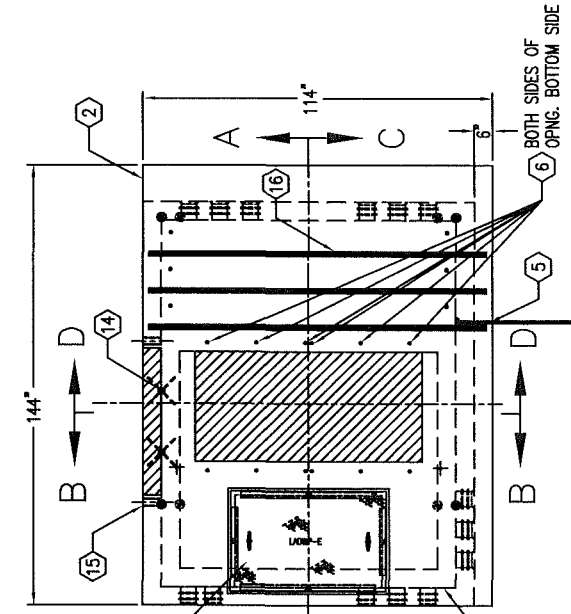
- \* UNISTRUT, BOLT-ON 72" N-200-SS GALV. (21-72-00), 2 REQ'D.
- \* SCREW, 1/2" x 2" BUTT HD CAP 316SS (20-10-427), 10 REQ'D.
- \* WASHER, 1/2" FLAT 316SS (20-25-42), 10 REQ'D.
- \* ROD, 3/4" x 15" 9NC THREAD 316SS W/ NUTS, LOCK & FLAT WASHERS (20-10-715SS), 6 REQ'D.
- \* ANGLE, 8 X 8 X 1/2" x 30" L W/ SLOTTED HOLES GALV. (15-40-04), 2 REQ'D.
- \* PLATE, 1" x 10" x 30" W/ 1/2" WELDED FLAT BARS GALV., SLOTTED HOLES (15-40-02), 2 REQ'D.
- \* BOLT, 1/2" x 3" 10NC HEX HD 316SS (20-10-661), 6 REQ'D.
- \* WASHER, 1/2" FLAT 316SS (20-25-64), 6 REQ'D.
- \* WASHER, 1/2" SINGLE COIL LOCK 316SS (20-25-65), 6 REQ'D.
- \* PLATE, 7-8" x 8" W/ 1/2" THK W/ SLOTS GALV. (15-40-03), 1 REQ'D.
- \* BOLT, 5/8" x 1 1/2" SS W/ CAP WASHER (20-10-511), 2 REQ'D.
- \* THREADED ROD, 3/4" x 18" COIL YELLOW DIP (20-10-618), 2 REQ'D
- \* NUT, 1/2" HEX COIL POST YELLOW DIP (20-20-60), 2 REQ'D
- \* WASHER, 3" x 3" x 1/4" W/ 1/2" HOLE GALV. (20-25-44), 4 REQ'D.
- \* ANGLE, 3" x 3" x 1/4" W/ SLOTTED HOLES GALV. (F4684-CT48), 1 REQ'D.
- \* BOLT, 1/2" x 3" 10NC HEX HD 316SS (20-10-661), 3 REQ'D.
- \* WASHER, 1/2" FLAT 316SS (20-25-64), 3 REQ'D.
- \* WASHER, 1/2" SINGLE COIL LOCK 316SS (20-25-65), 3 REQ'D.

SPECIAL HANDLING NOTE: THIS CONCRETE PRODUCT IS DESIGNED TO BE LIFTED WITH 4 (FOUR) EQUALLY LOADED RIGGINGS LEGS MIN. 60° SLING ANGLE, MEASURED FROM HORIZONTAL.

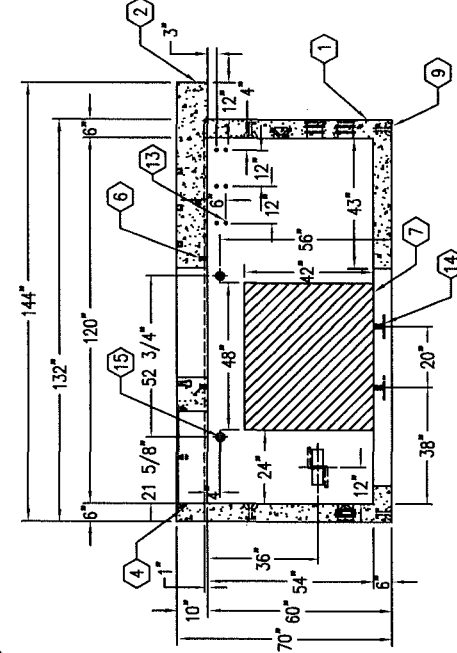
NOTE: GROUNDING HARDWARE NOT INCLUDED



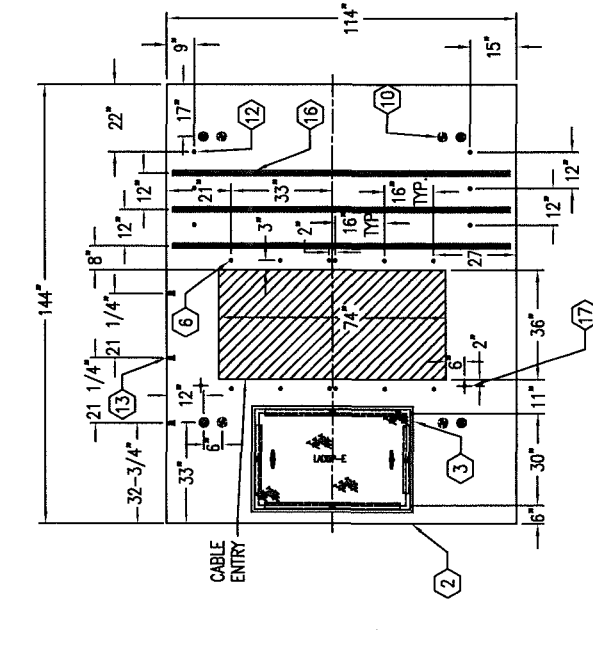
CLEANOUT PASSAGE VERTICAL OR CURVED



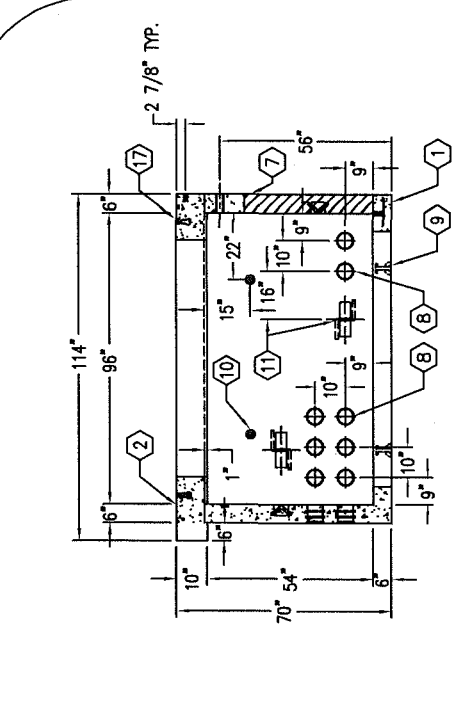
BOTH SIDES OF OPNG. BOTTOM SIDE



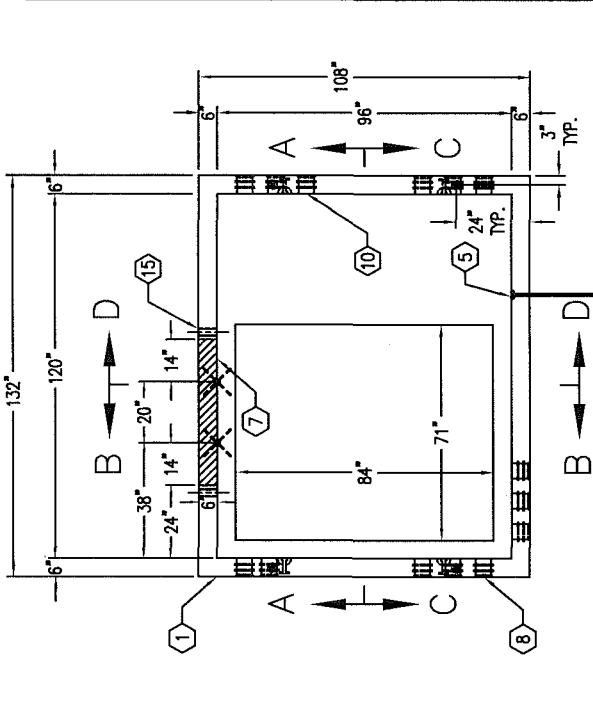
SECTION A-A



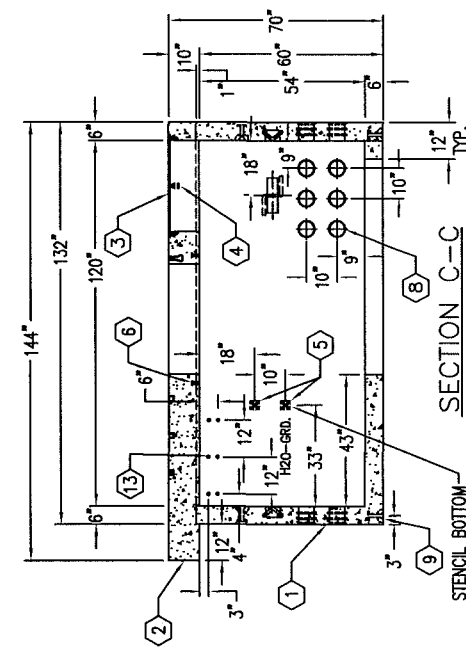
PLAN VIEW OF TRANSFORMER PAD



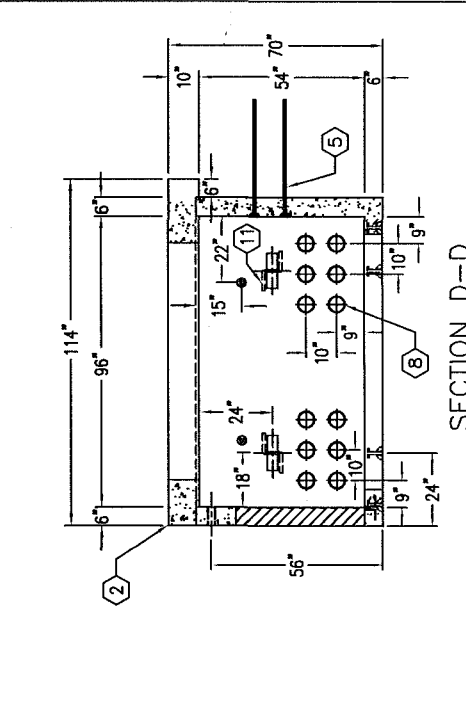
SECTION B-B



PLAN VIEW (VAULT ONLY)



SECTION C-C



SECTION D-D