

4' x 4'-6" x 6" PAD W/ 1'-5" x 2'-6" x 2'-4" ENCLOSURE

MODEL PD4854-T6-12

L.A.D.W.P. SPEC.
UB721-01

NOTES:

STRUCTURE DESIGNED IN ACCORDANCE WITH:

AASHTO LOAD FACTOR DESIGN METHOD FOR TRANSFORMER WEIGHT AND/OR 300 LBS/FT² LIVE LOAD.

SUBSTRUCTURE DESIGNED FOR AASHTO H-20 TRAFFIC SURCHARGE LOAD

ASTM C-857 STANDARD PRACTICE FOR MINIMUM STRUCTURAL DESIGN LOADING FOR UNDERGROUND PRECAST CONCRETE UTILITY STRUCTURES

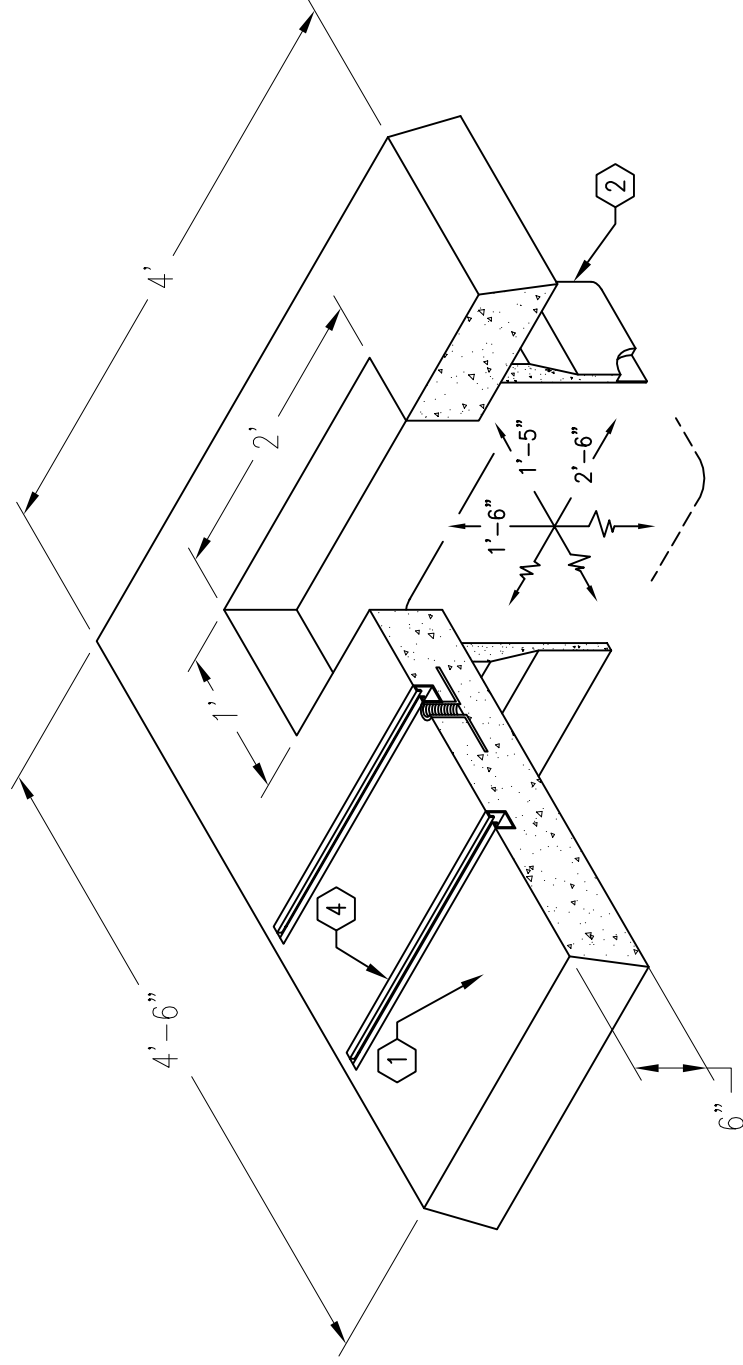
AMERICAN CONCRETE INSTITUTE ACI 318-05

CONCRETE COMPRESSIVE STRENGTH $F'_c = 5500$ PSI

REINFORCEMENT IN ACCORDANCE WITH ASTM A-706 WITH A YIELD STRENGTH OF $F_y = 60,000$ PSI.

6" MINIMUM COMPACTED GRANULAR MATERIAL RECOMMENDED FOR SUB-BASE FOR EASE OF INSTALLATION AND EVEN LOAD DISTRIBUTION

1. PD4854-T6-12, TRANSFORMER PAD. WT. 1,229 Lbs.
2. 17" x 30" BODY. WT. 160 Lbs.
3. 1" DIA. COIL THR'D. INSERT.
4. 1 5/8" x 1 5/8" UNISTRUT x 3'-10" LONG.

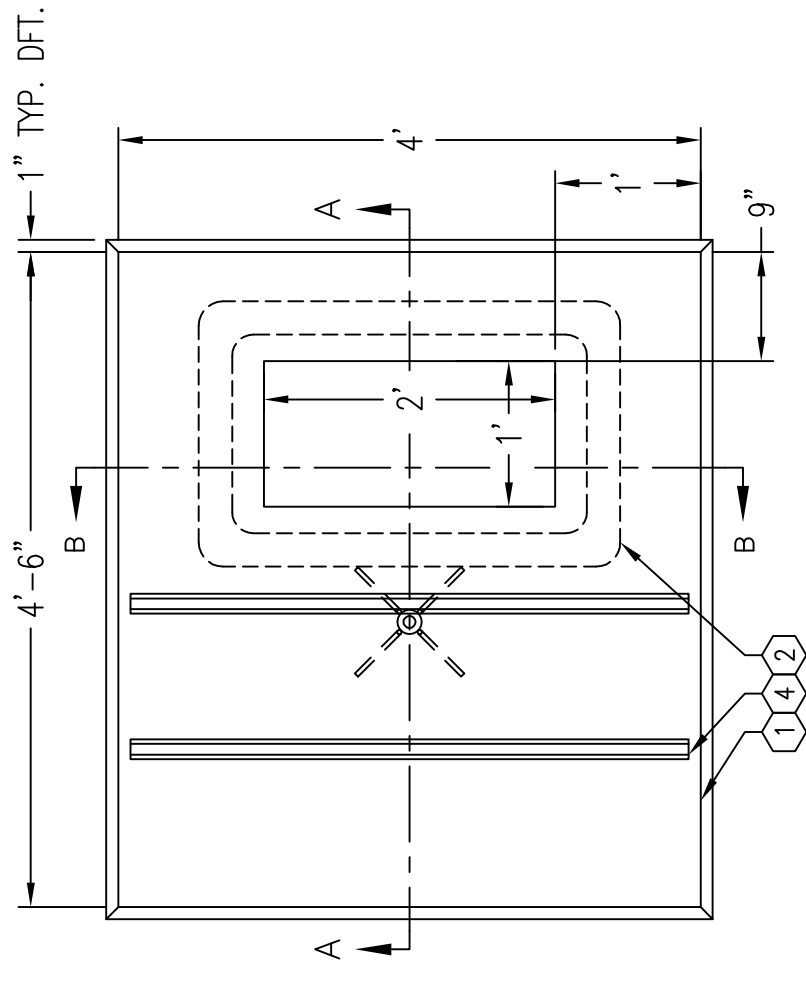


MINIMUM EXCAVATION SIZE:
2'-6" x 3'-6" x REQ'D DEPTH

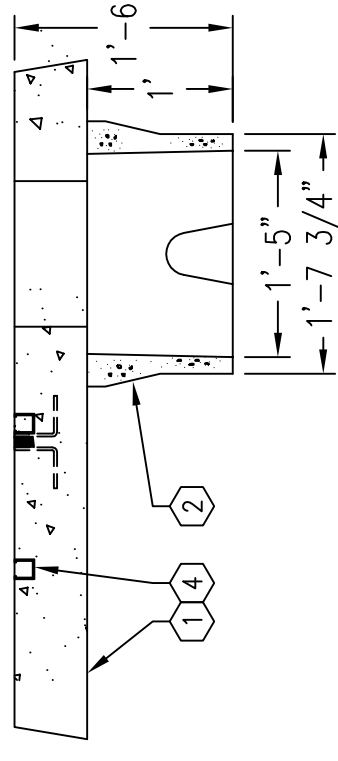
4' x 4'-6" x 6" PAD W/ 1'-5" x 2'-6" x 2'-4" ENCLOSURE

MODEL PD4854-T6-12

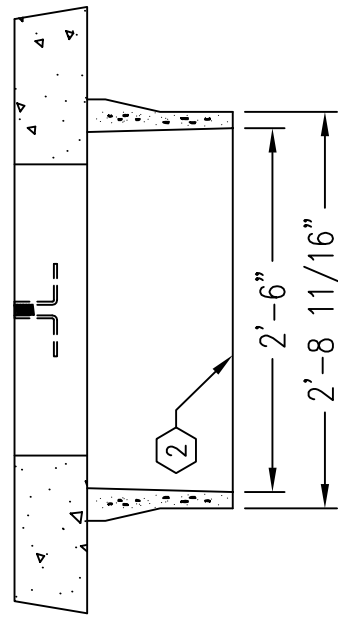
L.A.D.W.P. SPEC.
UB721-01



PLAN VIEW



SECTION A-A



SECTION B-B