

2'-4" x 6'-6" CABINET PAD x 9" THICK

NOTES:

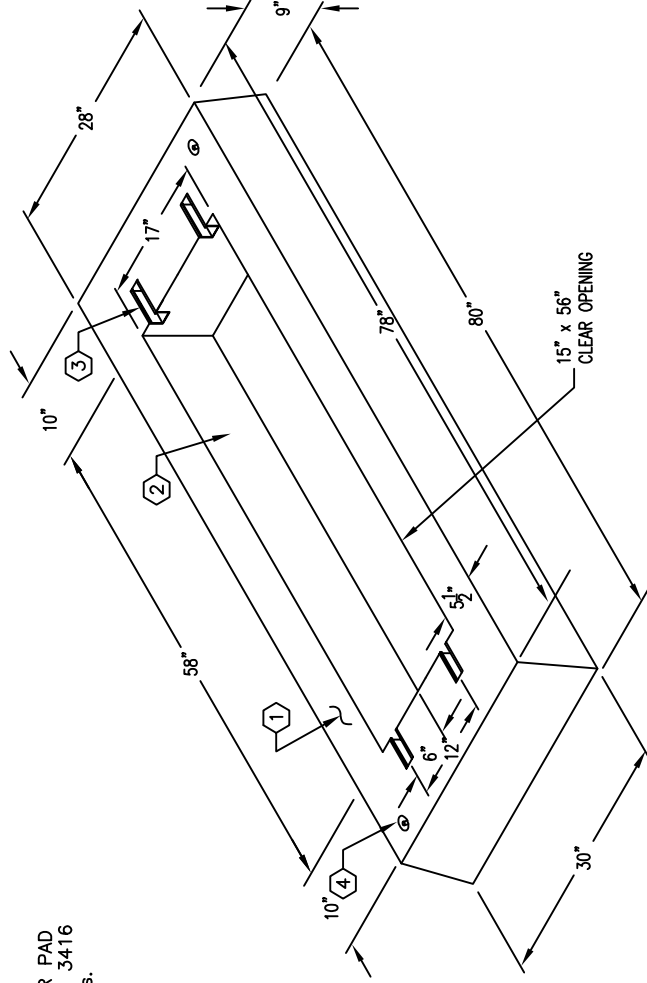
- PAD DESIGNED FOR 300 PSF PARKWAY LOADING.
USING 5,500 PSI [37.9MPa] COMPRESSIVE STRENGTH CONCRETE AND 60,000 PSI [413.2 MPa] YIELD STRENGTH ASTM A-706 STEEL REINFORCEMENT PER CALC. #31718.
- PAD TO BE STENCILED, "JENSEN PRECAST" WITH "TIME" AND "DATE OF POUR" AND WITH S.D.G. & E. STOCK NUMBER ON EXTERIOR EDGE OF PAD.

1. PD2878-T9-10, 9" TRANSFORMER PAD (R-PD2878-T9-10), WT. 1100 lbs.
2. 15" x 56" CABLE OPENING
3. 1 5/8" x 1 5/8" STAINLESS STEEL UNISTRUT x 4 1/2" LONG,
4. (4) PAN MTD. (55-21-004SS) 2 TON x 3 3/8" GALV. RISS. (2) PAN MTD.

JENSEN STOCK # S.D.G. & E. STOCK #:
PD2878-T9-10 514020

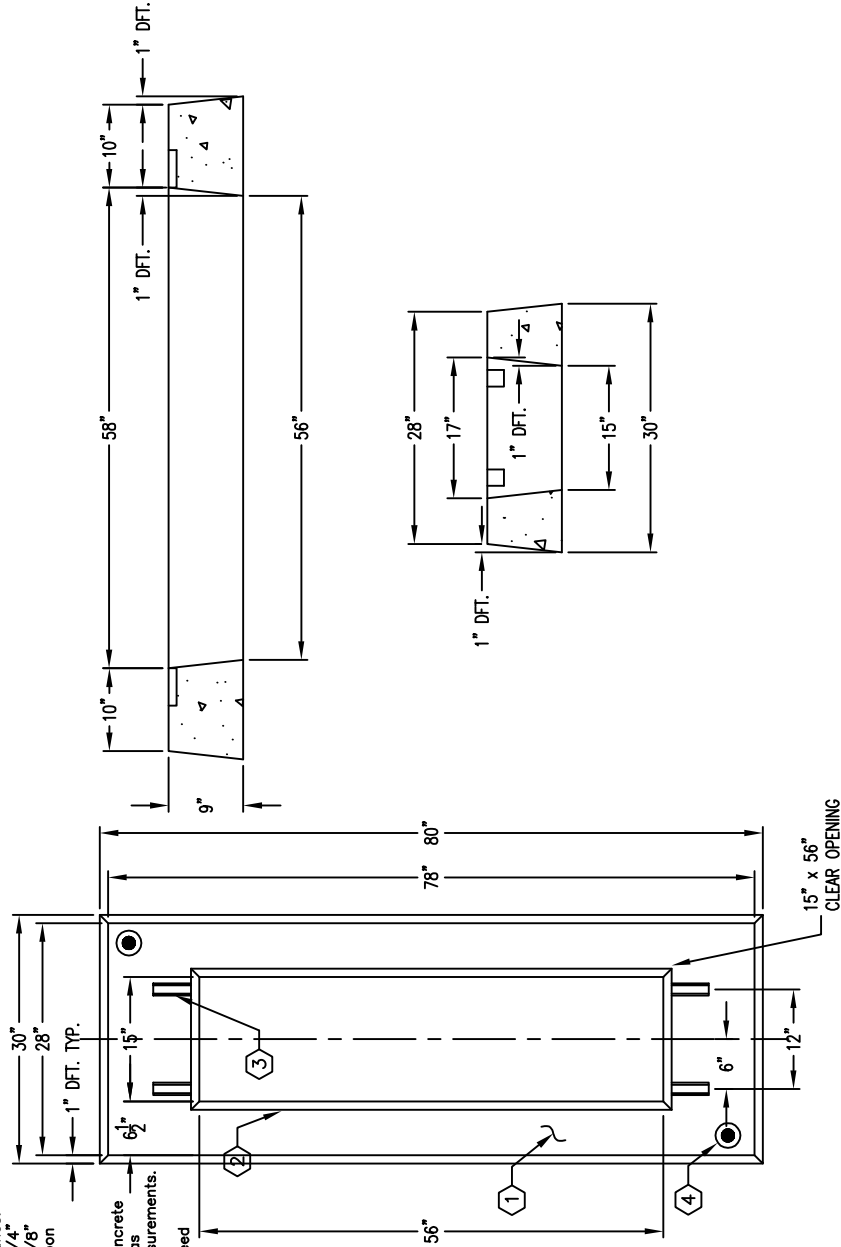
ORDERING INFORMATION:

PD2878-T9-10 FOR TRANSFORMER PAD
APPROVED FOR S.D.G. & E. SPEC. 3416
TOTAL WEIGHT OF PAD IS 1100 lbs.



GENERAL NOTES:

1. Minimum soil bearing capacity is hereby assumed to be 2000 PSF unless otherwise documented by a geotechnical report that shall be provided to Jensen Precast by the end user. Jensen Precast shall be held responsible for the soil bearing capacity. Installation of Terminals, Handholes, Meter Boxes, etc. will be per Jensen installation procedures.
2. Structural modification to the Jensen line of products is not permitted without prior written approval from Jensen Engineering Department.
3. Do not scale the drawings, verify all dimensions including rough openings, if any discrepancies are found, notify the Jensen Engineer immediately.
4. The Jensen Engineer will interpret the intent of the drawings in case of possible conflict or discrepancy.
5. Permissible Variations:
Dimensional Tolerances - The length, width, height, or dia. measurements of the structure when measured on the inside surfaces shall not deviate from design dimensions by more than the following:
Dimensions: Tolerance:
0 to 5 Feet 1/4"
5 to 10 Feet 3/8"
10 to 20 Feet as agreed upon between the supplier and purchaser.
6. Squariness Tolerance:
The inside of the precast concrete component shall be square as determined by diagonal measurements. The difference between such measurements shall not exceed the following:
Measured Length:
Allowable Difference
0 to 10 Feet -- 1/2"
10 to 20 Feet -- 3/4"
20 Feet and over as agreed upon between the supplier and purchaser.
- 7.



JENSEN
PRECAST

AUTOCAD REL. 14 (1511TP9-DE1)

#	DATE	DESCRIPTION	BY
A	5-3-00	NEW PART NUMBERS	D.P.
B	03-02-05	CHG TO STAINLESS STEEL UNISTRUT	DRG

PD2878-T9-10

PER S.D.G. & E. 3416

06-19-98