

3'-8" x 3'-10" CABINET PAD x 4" THICK

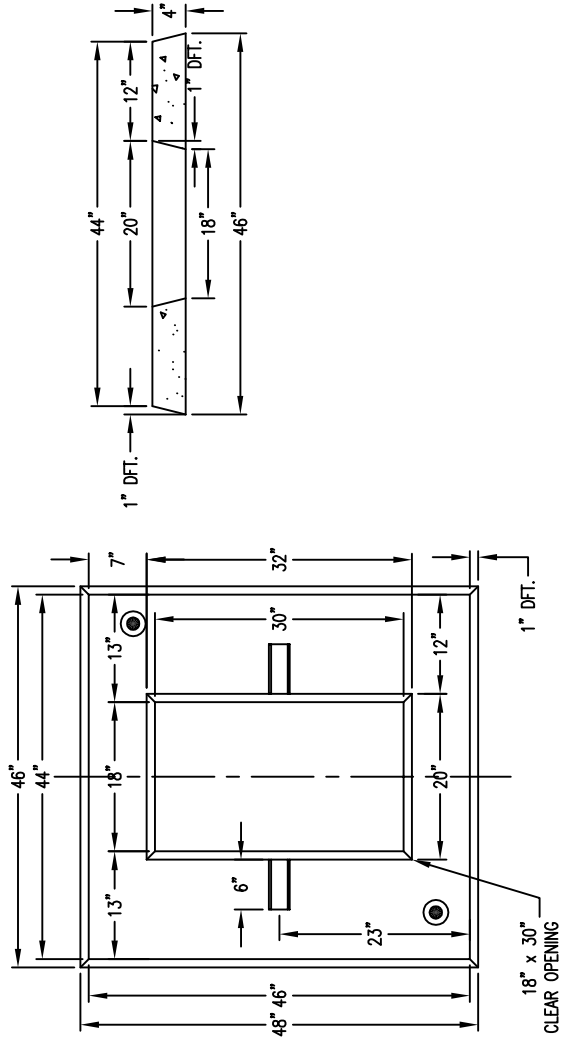
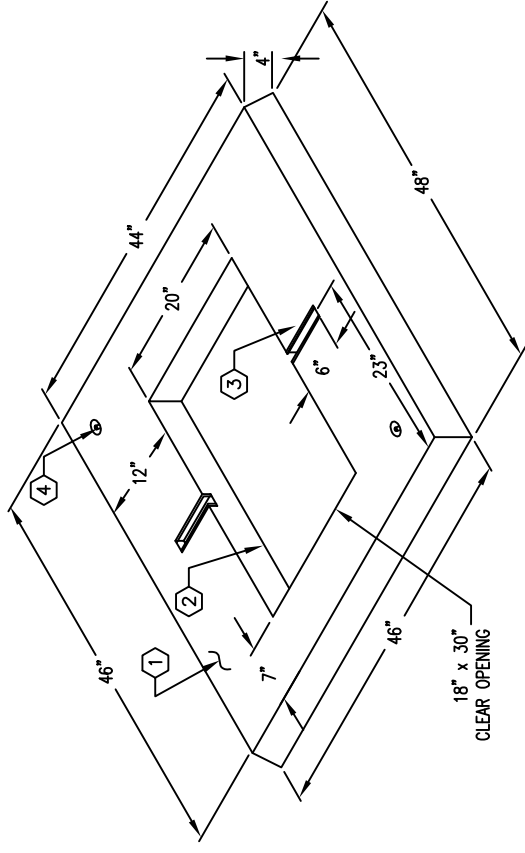
NOTES:

- PAD DESIGNED FOR 300 PSF PARKWAY LOADING USING 5,500 PSI [37.92MPa] COMPRESSIVE STRENGTH CONCRETE AND 60,000 PSI [413.2MPa] YIELD STRENGTH ASTM A-706 STEEL REINFORCEMENT PER CALC. #31723.
 - PAD SHALL BE STENCILED, "JENSEN PRECAST", WITH "TIME" AND "DATE OF POUR", AND S.D.G. & E STOCK NUMBER ON THE EXTERIOR EDGE OF PAD.
1. PD4648-T4-10, 4" TRANSFORMER PAD (R-PD4648-T4-10), WT. 553 lbs.
 2. 18" x 30" CABLE OPENING
 3. 1 5/8" x 1 5/8" STAINLESS STEEL UNISTRUT x 6" LONG, (2) PAN MTD. (55-21-006SS).
 4. 2 TON x 3 3/8" GALV. RISS, (2) PAN MTD.

JENSEN_STOCK # _____ S.D.G. & E. STOCK #:
 PD4648-T4-10 514022

ORDERING INFORMATION:

PD4648-T4-10 FOR 600 AMP CABINET PAD
 APPROVED FOR S.D.G. & E. SPEC. 3417
 TOTAL WEIGHT OF PAD IS 553 lbs.



#	DATE	DESCRIPTION	BY
A	5-3-00	NEW PART NUMBERS	D.P.
B	03-02-05	CHANGE TO STAINLESS STEEL UNISTRUT	DRG