

DESIGN NOTES

- STANDARDS: AASHTO LRFD BRIDGE DESIGN SPECIFICATIONS, 8TH EDITION, WITH 2022 CALTRANS AMENDMENTS, CITY OF LOS ANGELES BUREAU OF ENGINEERING STANDARD PLAN S-601-3, MANUAL PART H, ASTM C-857. STRUCTURAL CALCS. #34 104A.
- MATERIAL: CONCRETE, F_c=5,500 PSI. MIX 30 INCLUDE FLY ASH AND DCI. REINFORCEMENT PER ASTM A-706, F_y=60,000 PSI.
- LOADS: VERTICAL LIVE LOAD: AASHTO HL-93. LIVE LOAD SURCHARGE: LA BOE PART H, FIGURE H 374.2A, MINIMUM 80 PSF (TO BOTTOM OF VAULT). SOIL LATERAL LOADS: 40 PCF (DRY), 81 PCF (SATURATED). SOIL BEARING CAPACITY = 1700 PSF. DESIGN SOIL DENSITY IS 120 PCF.
- LOADS NOT INCLUDED. DESIGN DOES NOT INCLUDE COOPER E-80 RAILROAD LOADS OR LATERAL OR SURCHARGE LOADS THAT ARE PRODUCED BY FOOTING OR FOUNDATIONS ADJACENT TO THE STRUCTURE. THIS SUBSTRUCTURE SHALL BE KEPT AT LEAST IN A 1:1 RATIO AWAY FROM ALL FOOTINGS AND FOUNDATIONS, UNLESS THE ENGINEER OF RECORD APPROVES IN WRITING.
- EACH CONCRETE SECTION SHALL BE MARKED ON THE INSIDE & OUTSIDE WITH "JENSEN PRECAST-FONTANA", AT&T OIN# AND THE DATE OF POUR. CONFORM TO STANDARD PLAN S-601-3 SECTION 3-2.1.1(e).
- EACH CONCRETE SECTION SHALL HAVE CAST-IN ON THE INSIDE "JENSEN", AND THE YEAR.
- ALL WALLS AND CEILING SHALL BE PAINTED WHITE.
- EACH PIECE TO BE STENCILED WITH ITS PART NO.
- INSTALLATION: VAULT TO BE PLACED ON A MIN. 6" BASE OF CRUSHER RUN FOR EASE OF INSTALLATION AND EVEN LOAD DISTRIBUTION. BASE MATERIAL IN ACCORDANCE WITH SECTION 200-2 OF THE SSPWC (GREEN BOOK).
- MINIMUM EXCAVATION SIZE: 9'-0" X 13'-0" X DEPTH REQ'D.
- ADDITIONAL SUBMITTAL, PERMIT AND CONSTRUCTION PLAN REVIEW WILL BE REQUIRED FOR EACH PROJECT LOCATION. SUBMIT TO CITY ENGINEER FOR APPROVAL PRIOR TO START OF ANY CONSTRUCTION.
- ALL INSTALLATIONS SHALL COMPLY WITH ALL OTHER LOCAL GOVERNING CODES AND REGULATIONS INCLUDING CALIFORNIA PUBLIC UTILITIES COMMISSION REGULATIONS.
- REFERENCE K36X-MN12-LA-09 FOR GRADE RINGS TO BE USED WITH VAULT.
- CAST IRON FRAME & COVER AS APPROVED BY CITY OF LA.
- KPKINT-69X-TV10-LA-14, 100013024-INTERCEPT PACKAGE PLACED BY OTHERS.

**STOCKPILE - JENSEN PRECAST
CITY OF LOS ANGELES INSPECTION
REQUIRED WO# C0034604**

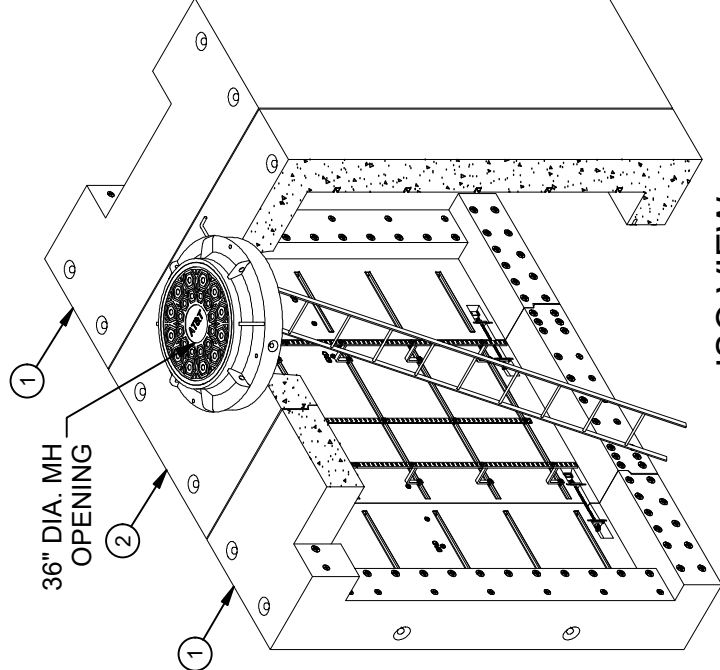
LIFTING NOTES

- FIELD INSTALLATION: PLANT DEMOLDING: MINIMUM HANDLING CONCRETE STRENGTH F_c = 5500 PSI RIGGING EQUALIZER REQUIRED TO EQUALIZE LOAD TO 4 LIFTING POINTS WITH A SLING ANGLE BETWEEN 60° AND 90°

BURY DEPTH:	1.5' - 5.0' to Top	
WATER LEVEL:	3.0'	
DESIGN SPEC:	AASHTO LRFD/ACI 318, ASTM C857	
AGENCY:	AT&T	
	APPROX. WEIGHT:	55442.11 Lbs
	LOADING SPEC:	AASHTO HL-93
	AGENCY SPEC:	COLA

BILL OF MATERIALS

ITEM	UNIT QTY	QTY	PART NUMBER	DESCRIPTION	MASS (lb)
1	1	2	100013025	Tunnel Vault Intercept TVI72108 End - Tongue 72Wx108Hx30L AT&T COLA	16215
2	1	1	100013026	Tunnel Vault Intercept TVI72108 Center - Groove Groove 72Wx108Hx60L AT&T COLA	21903
3	1	8	100007113	ROD THREADED COIL YELLOW DIP 3/4 X 18"	
4	1	16	100007010	HEX COIL NUT 3/4-4.5 ZINC - PLATED	
5	1	16	100008121	WASHER 3X3X.5 W.875 HOLE GALV	
6	1,000 ul	1,000 ul	100005749	SEALANT JOINT BUTYL RUBBER ASTM C-990 AND M198 CS-102 1IN EQUIV X14.5FT PER BOX 118FT	
7	1	1	100012116	Grade Ring D3645x6 COLA INSP	280
8	1	1	100006954	CI RING & COVER 30DIA EJ 1810A1VH/1820ZVH AT&T COLA	570
9	1	10	100002525	CABLE RACK 14 HOLE GALV TABS	
10	1	10	100002515	CABLE RACK 47 HOLE GALV W/O TABS	
11	1	20	100002580	CABLE RACK CORNER BRACKET 12 X 12 10A50 GALV	
12	102,000 ft	102,000 ft	100007104	BONDING RIBBON 3/8 12A55	
13	1	20	100002578	CABLE RACK L-BRACKET 1/2 X 1 X 6-9/16	
14	1	30	100003823	BOLT HEX 1/2-13 UNC 1.5 ZINC	
15	1	40	100003492	BOLT HEX 1/2-13 UNC 1.25 ZINC	
16	1	30	100007441	STRUT FITTING SPRING NUT 1/2-13 UNC 1-5/8 CHANNEL REGULAR SPRING ZINC	
17	1	40	100007007	HEX NUT 1/2-13 UNC HEAVY GALV	
18	1	12	100003551	BOLT HEX 1/4-20 UNC 0.75 ZINC	
19	1	24	100002650	WASHER FLAT 1/4 FENDER TYPE A ZINC	
20	1	110	100002658	WASHER FLAT 1/2 REGULAR TYPE A ZINC	
21	1	1	100002564	LADDER STEP RUNG 12B31 TYPE 1 MH KNURLED GALV 3/4X16	
22	1	1	100002557	LADDER HOOKED GALV 11FT PB/GT I3600	
23	1	80	100003013	TERMINATOR DUCT WITH SEAL 4.35IN T4350	
24	1	4	100003026	PULL IRON OFFSET .875DIA 6 IH X 10.875L X 6.75W GALV	
25	1	20	100002785	INSERT THREADED METAL 1/2-13 UNC 1-1/2 IN	



DESCRIPTION	AT&T OIN#
6x9x2-6 MODULAR MANHOLE INTERCEPT END CAP W/ RACKING	100061969-LA
6x9x2-6 MODULAR MANHOLE INTERCEPT END CAP W/ RACKING	100061970-LA
6x9x5 MODULAR MANHOLE INTERCEPT CENTER W/ ACCESS & RACKING	100061971-LA

REV	DESCRIPTION	DATE	APPROVED
B-1	INVENTOR DRAWINGS CREATED	10/11/2023	

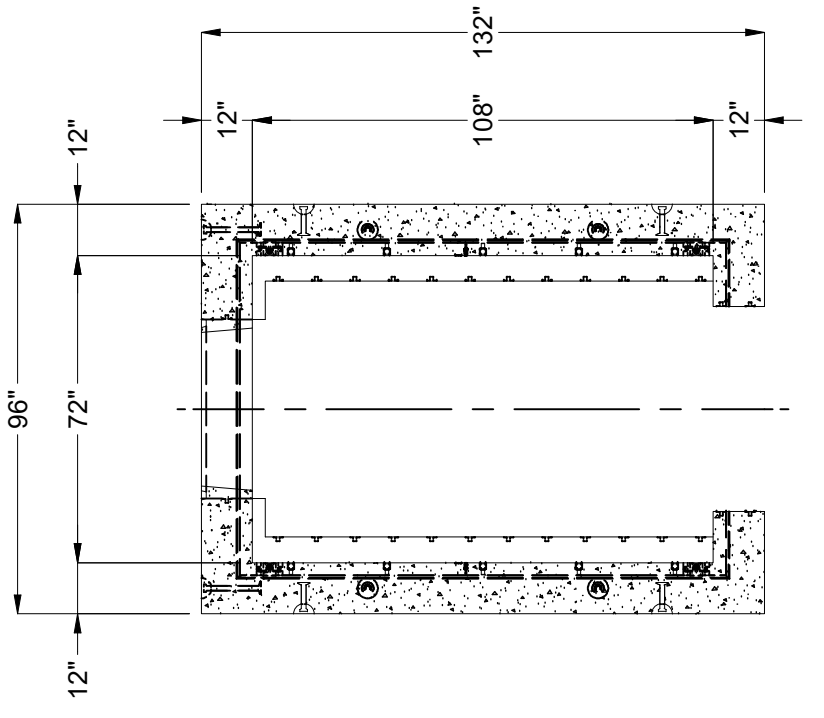
DESCRIPTION:	Tunnel Vault Layout TV72108x10' 36" AT&T COLA
PART NUMBER:	100013019
CREATED:	6/20/2019
DRAWN BY:	M. Zaragoza
MODIFIED:	10/11/2023

JENSEN PRECAST EST. 1968
WWW.JENSENPRECAST.COM

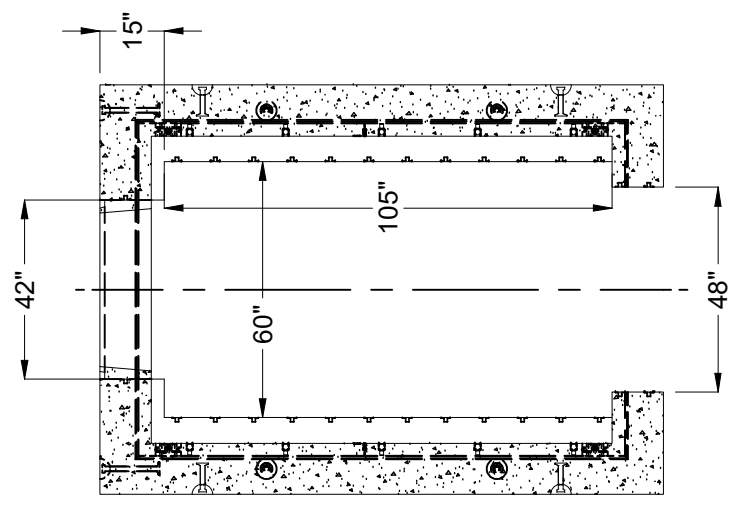
©2023 Jensen Precast-All rights reserved. All materials appearing as Jensen Precast documents and the like are proprietary work product and are protected under U.S. copyright and other laws. Unless in conjunction with business conducted with Jensen Precast, any use of Jensen Precast work product without express, written consent is prohibited, and recipient is prohibited from distributing any and all work product to non-approved third parties under penalty of civil action.

REV:	B-2
SHEET:	3
1 OF 2	

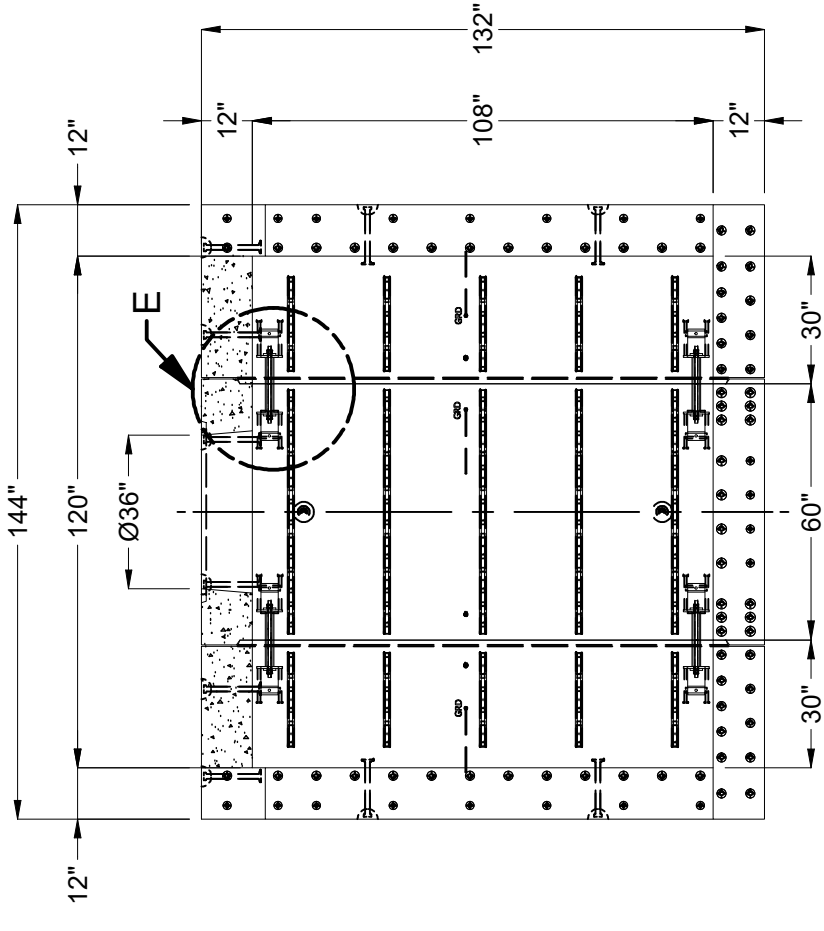
MPI'6101010001



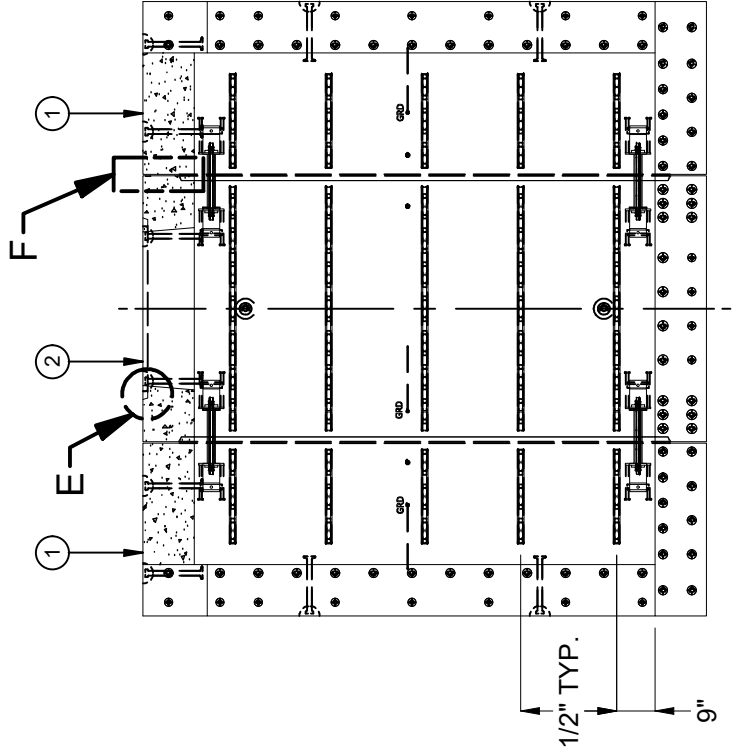
SECTION B-B



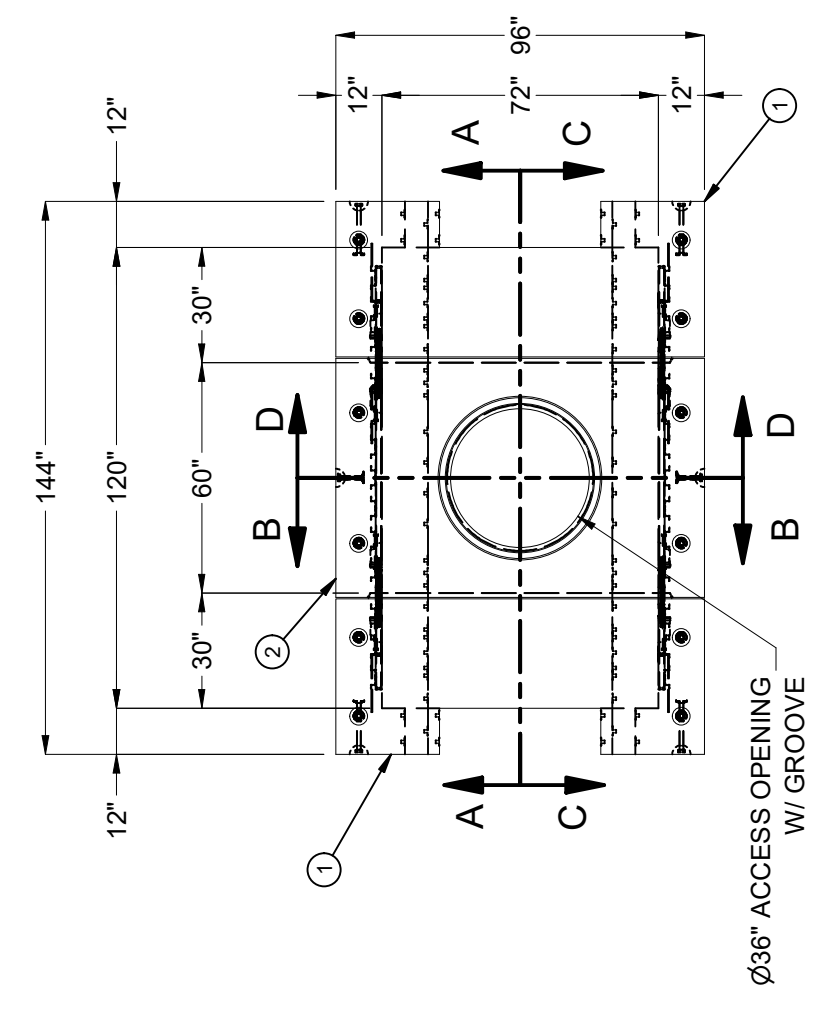
SECTION D-D



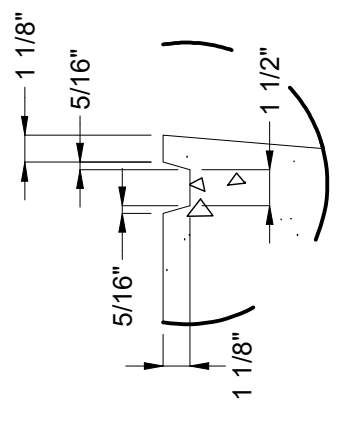
SECTION A-A



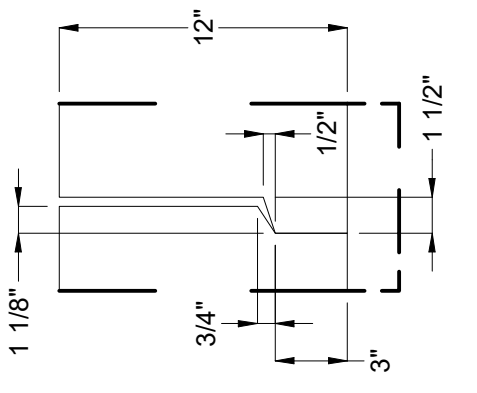
SECTION C-C



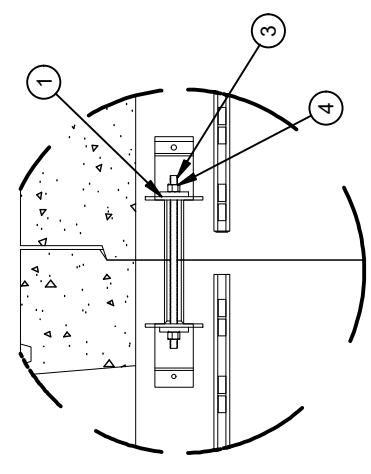
PLAN VIEW



**DETAIL E
GROOVE DETAIL**



**DETAIL F
JOINT DETAIL**



**DETAIL E
FOR SETTING SECTIONS
(NON-STRUCTURAL)**

BURY DEPTH: 1.5' - 5.0' to Top WATER LEVEL: 3.0' DESIGN SPEC: AASHTO LRFD/ACI 318, ASTM C857 AGENCY: AT&T	APPROX. WEIGHT: 55442.11 Lbs LOADING SPEC: AASHTO HL-93 AGENCY SPEC: COLA	 EST. 1968 WWW.JENSENPRECAST.COM	©2023 Jensen Precast. All rights reserved. All materials appearing as Jensen Precast documents and the like are proprietary work product and are protected under U.S. copyright and other laws. Unless in conjunction with business conducted with Jensen Precast, any use of Jensen Precast work product without express, written consent is prohibited, and recipient is prohibited from distributing any and all work product to non-approved third parties under penalty of civil action.	DESCRIPTION: Tunnel Vault Layout TV72108x10' 36"C AT&T COLA LAYOUT DRAWING	REV: B-2 SHEET: 40
				PART NUMBER: 100013019 DRAWN BY: M. Zaragoza CREATED: 6/20/2019 MODIFIED: 10/11/2023	2 OF 2