

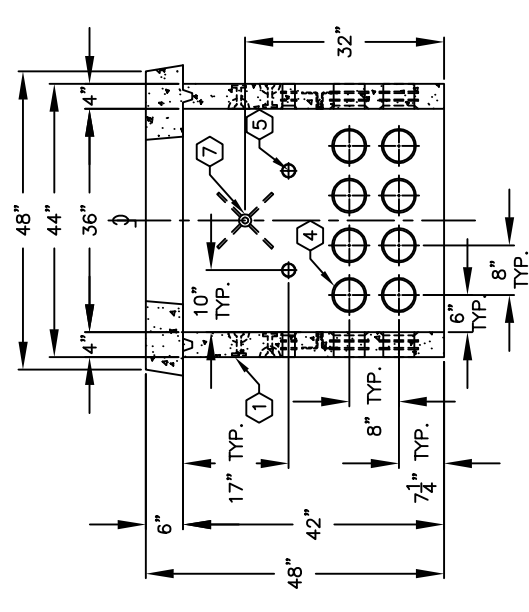
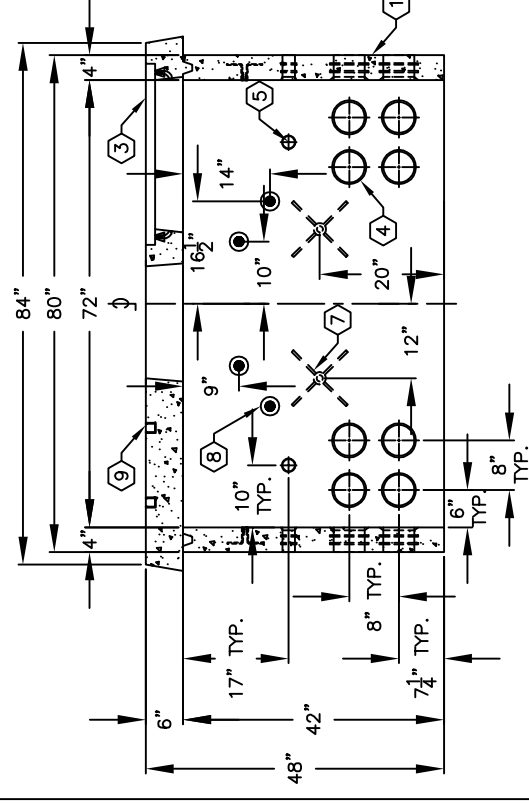
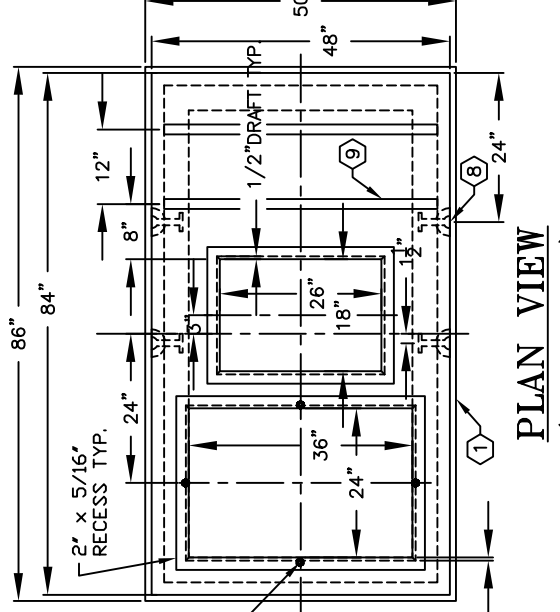
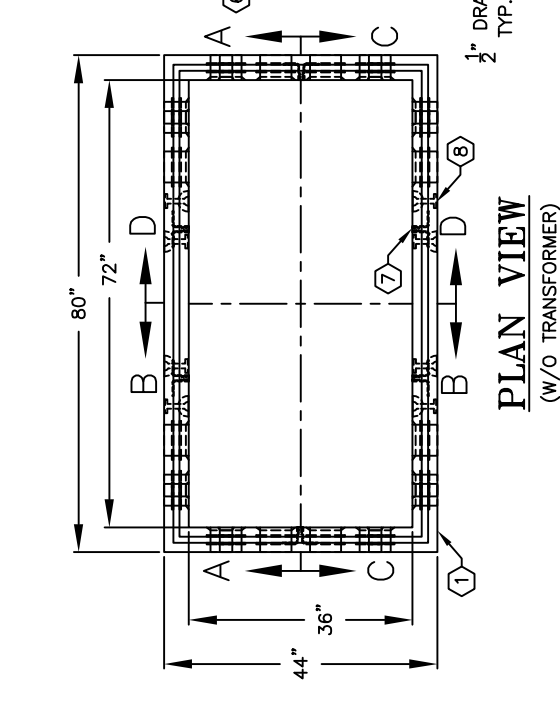
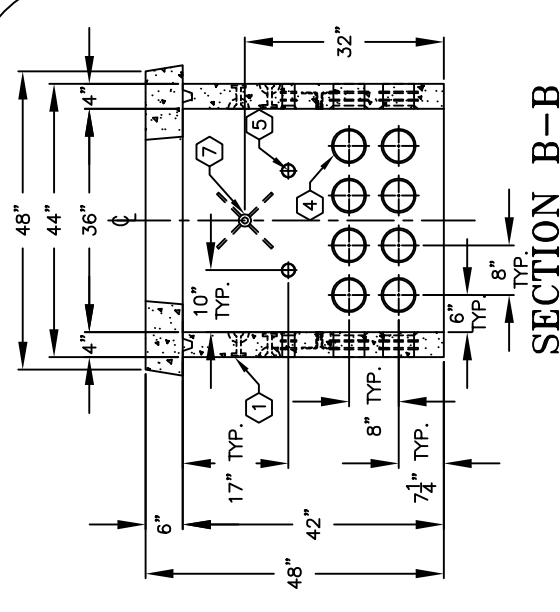
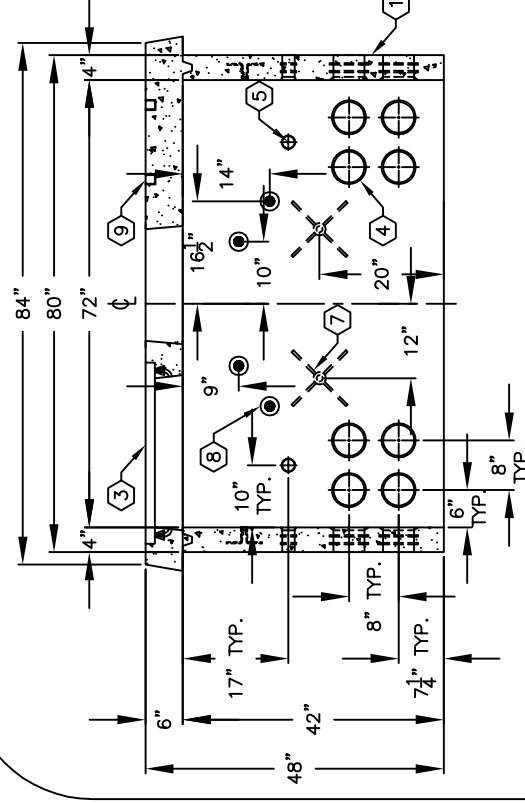
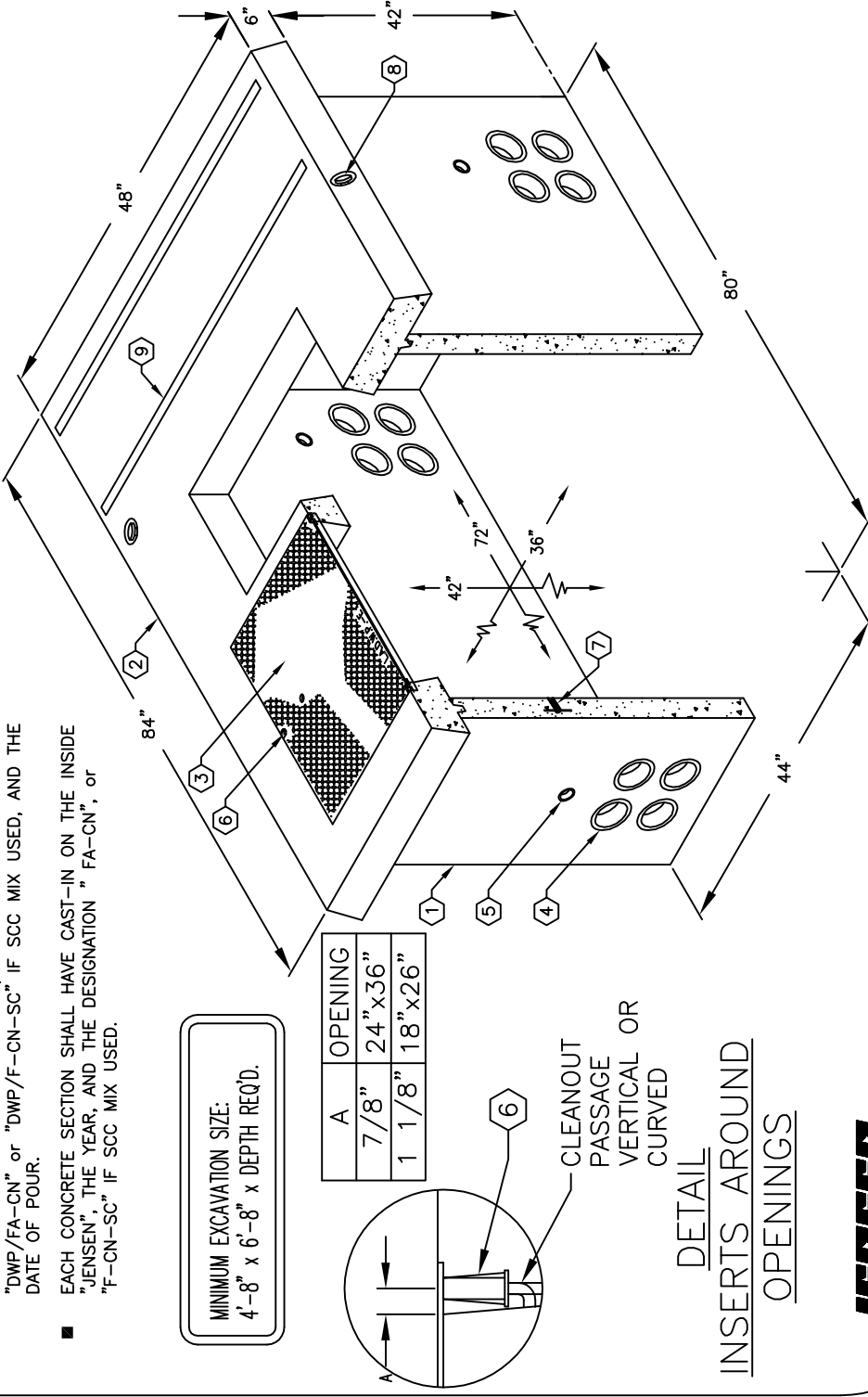
4'-0" x 7'-0" TRANSFORMER PAD AND VAULT x 3'-6" DEEP

MATERIAL LIST- K3672-SB42-N-12

ITEM	PART NO.	DESCRIPTION	CAGE NO./ LOCATE	WEIGHT/ MOUNT
1	SB3672-L42-N-12	42" LOWER SECTION	CG-SB3672-L42-N-12	3,275 lbs
2	PD4884-T6-12	6" TRANSFORMER PAD w/RECESS FOR COVER	CG-PD4884-T6-12(204)	1393 lbs
3	SC2436-PBA12	(1) PIECE PARKWAY DIAMOND PLATE COVER GALV. AFTER BEAD WELDING "LADWP-E"(1"HT.)		72 lbs
4	20-10-413	(4) 1/2" x 1-1/2" S.S. PENTA HEAD BOLTS		
4	TERMINATOR	5" DIA. DOUBLE MEMBRANE TERMINATOR	LOWER SECTION	(32) CORE MTD.
5	TERMINATOR	2" DIA. SCH 40 PVC CONDUIT CAPPED AT OUTSIDE WALL	LOWER SECTION	(8) CORE MTD.
6	55-10-416	1/2" DIA. P35T OPEN BTM INSERT W/ CLEAN OUT HOLE	TRANSFORMER PAD	(4) TABLE
7	55-10-830	1" COIL INSERT	LOWER SECTION	(6) CORE
8	55-20-203	2 TON 3-3/8" GALVANIZED RISS FOR HANDLING	TRANSFORMER PAD	(4) RAIL
			LOWER SECTION	(4) CORE & (4) SHELL
9	55-21-044	(2) 1-5/8" x 1-5/8" GALV 12 GA. STRUT X 44" LONG	PAD SECTION	(2) REQD

NOTES:

- VAULT DESIGNED IN ACCORDANCE WITH L.A.D.W.P. SPEC. P-178, ACI 318 AND ASTM - 857, AASHTO H-20-44 TRAFFIC BRIDGE LOADING USING 5,500 PSI COMPRESSIVE STRENGTH CONCRETE AT 28 DAYS AND 60,000 PSI YIELD STRENGTH ASTM A-706 STEEL REINFORCEMENT PER CALCS. # 30615.
- TRANSFORMER PAD DESIGNED FOR 100 PSF LIVE LOAD AND 850 PSF DEAD LOAD.
- VAULT TO BE PLACED ON MI. 6" COMPACTED CRUSHER ROCK 1", GRADE A OR CONCRETE AGGREGATE #3, GRADE B (SSPWC, SUBSECTIONS 200-1.2 & 200-1.4), FOR EASE OF INSTALLATION AND EVEN LOAD DISTRIBUTION.
- CONCRETE MIX USED IN POURING THIS PRODUCT SHALL USE FLY ASH AND DCI AS ADMIXTURE.
- EACH CONCRETE SECTION SHALL BE MARKED ON THE INSIDE & OUTSIDE WITH " JENSEN PRECAST", THE DESIGNATION "DWP/FA-CN" OR "DWP/F-CN-SC" IF SCC MIX USED, AND THE DATE OF POUR.
- EACH CONCRETE SECTION SHALL HAVE CAST-IN ON THE INSIDE "JENSEN", THE YEAR, AND THE DESIGNATION "FA-CN", OR "F-CN-SC" IF SCC MIX USED.



DATE	DRAWN BY	CHECKED BY			
02-16-15	JMERCADO				
#	DATE	DESCRIPTION	REVISION	BY	CHK
A	02-17-15	REVERSE NOTES & DIM. LAYOUT.		JM	