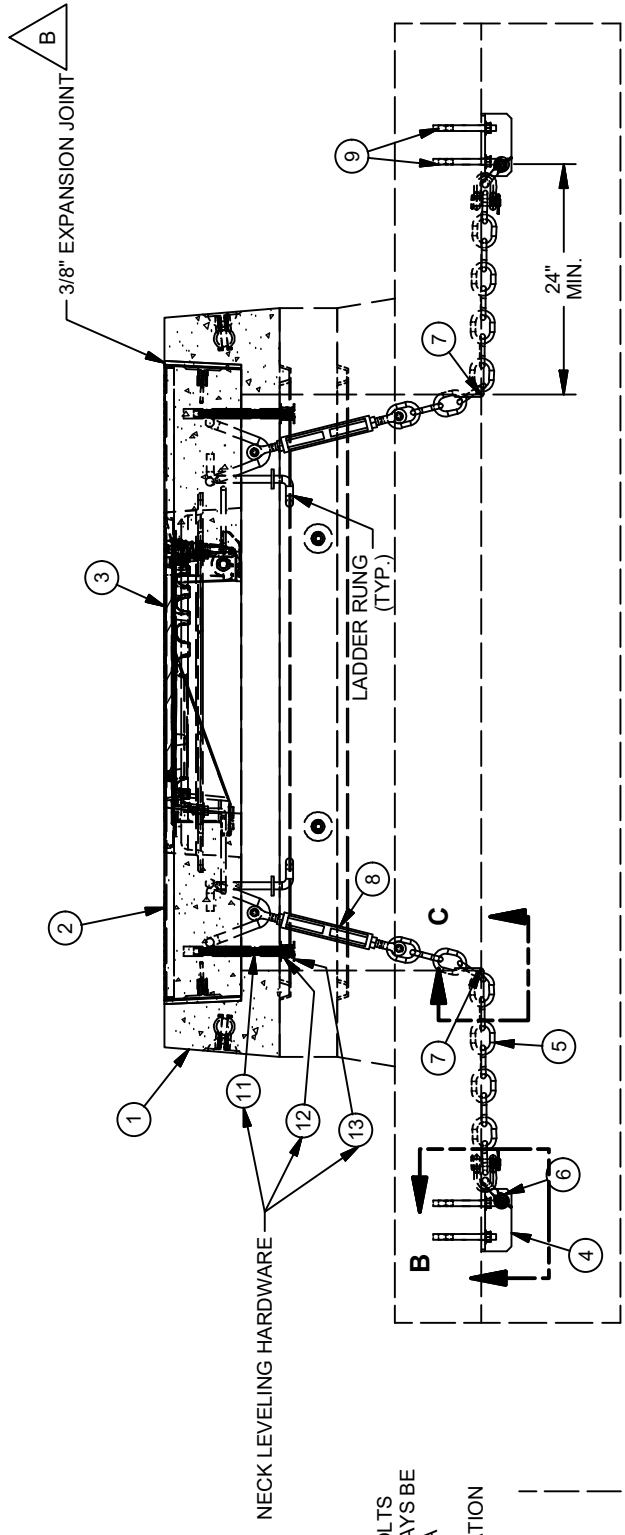
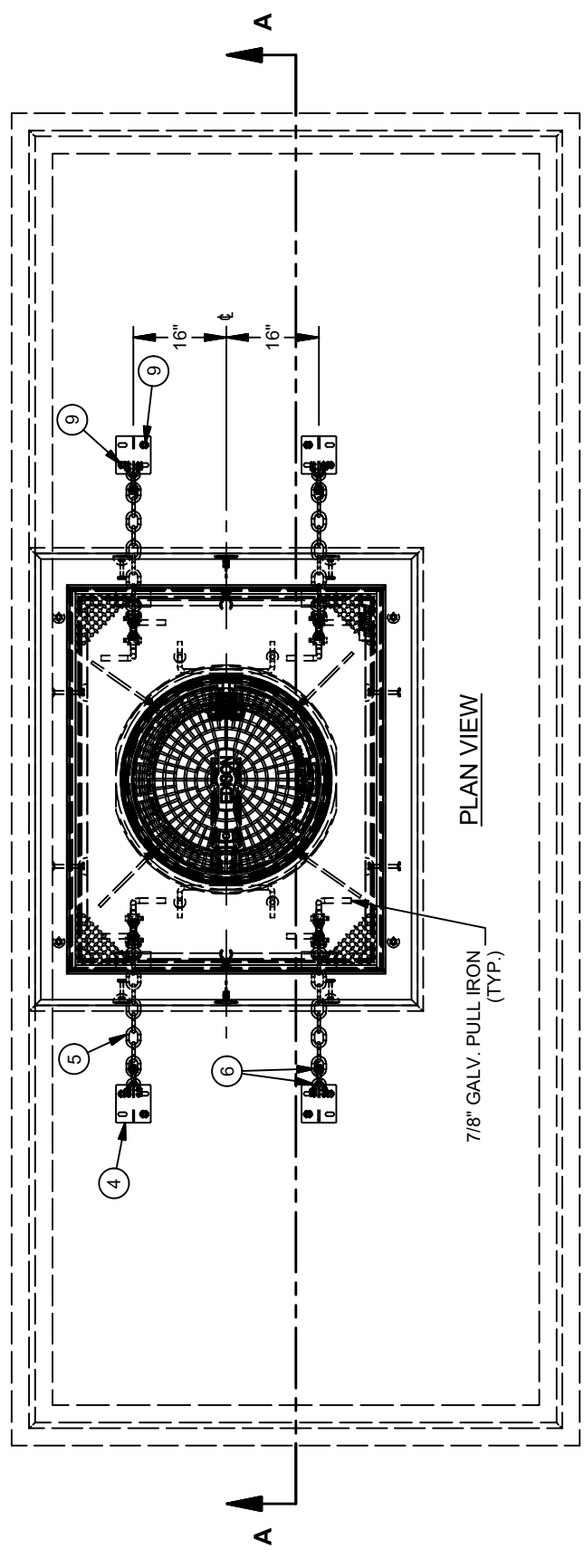
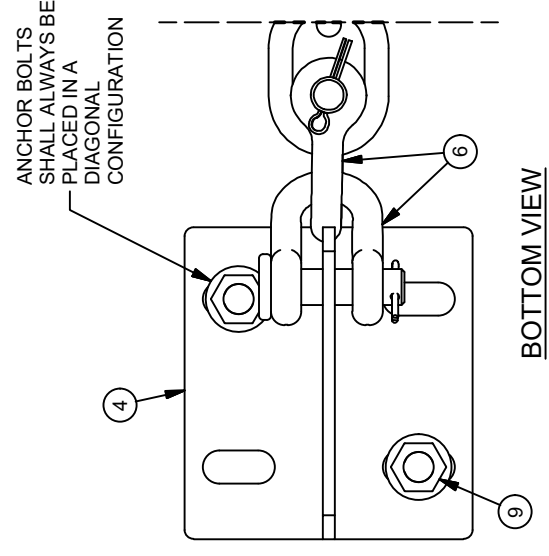
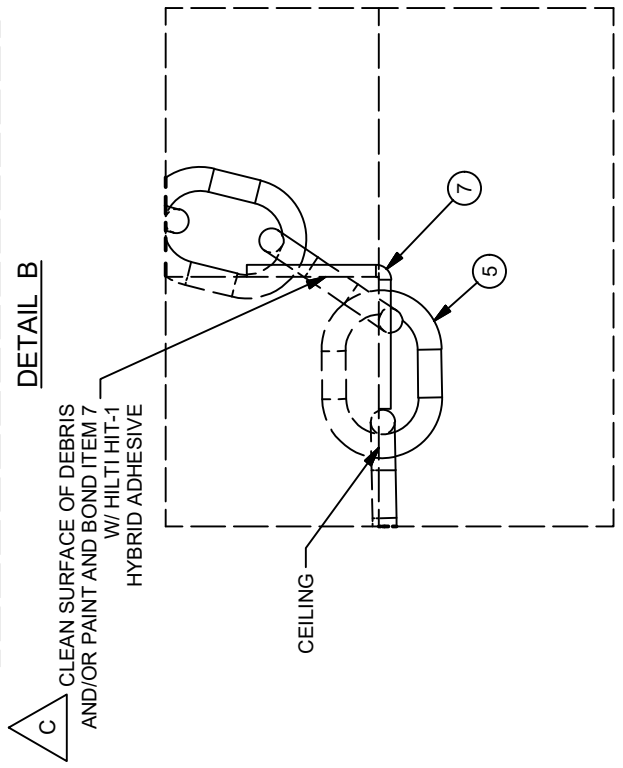
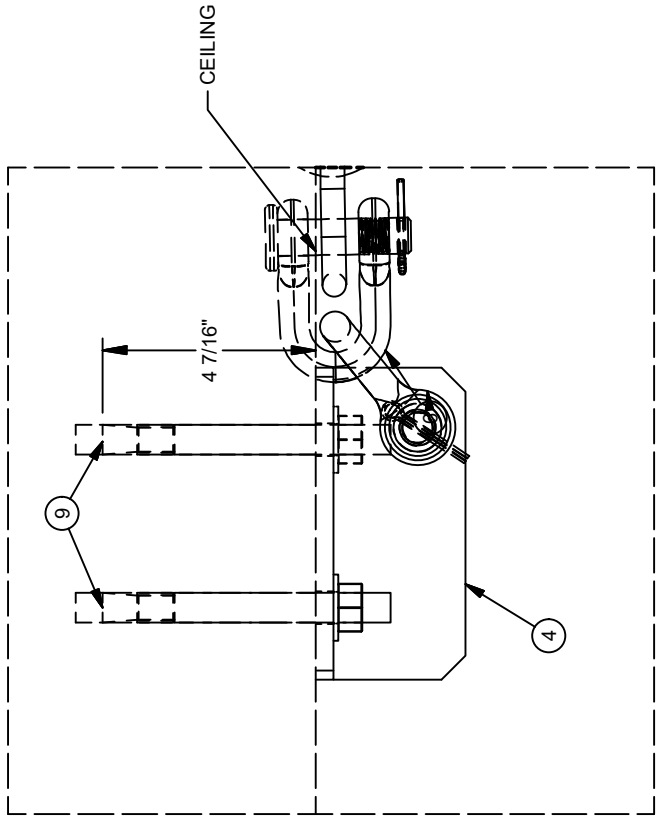


BILL OF MATERIALS

ITEM	PART NUMBER	DESCRIPTION	QTY	WEIGHT (lbs)
1	VN45-VN12-11	NECK, 4'-0" X 5'-0" X 1'-0" EDISON	1	1737
2	VN45-T8-11S	COVER SLAB, 4' X 5' X 8" W/30" DIA. RING NF-15812024 ED, DIAMOND PLATE IMPRINT	1	1916
3	04-30-114	COVER 30" SWIVELLOC "EDISON"	1	257
4	20-26-13	WT3x10 6.5" LENGTH GALV.	4	
5	20-10-810C	1/2" GALV. CHAIN, 7-1/2 FT LONG, GRADE 30 (FIELD CUT)	4	
6	20-10-811	5/8" GALV. SHACKLE WITH 3/4" PIN W/ COTTER PINS	8	
7	55-11-336	STAINLESS STEEL ANGLE L3X3X1/4 - 6" LENGTH	4	
8	20-10-813	TURNBUCKLE CLEVIS-TO-CLEVIS 3/4 THREADED W/ 2 HEX NUTS (GALVANIZED)	4	
9	20-10-560	HILTI KWIK BOLT TZ STAINLESS STEEL EXPANSION ANCHOR 5/8" DIA. x 6" LENGTH	8	
10	20-30-06	PLUG, RUBBER PICKHOLE ED/LA C.I. COVER	1	
11	20-10-610	BOLT, 3/4" X 10 1/2" COIL POST YELLOW DIP	4	
12	20-20-60	NUT, 3/4" HEX COIL POST YELLOW DIP	8	
13	20-25-61	WASHER, 3/4" CUT PLATED	8	
14	25-10-211	HILTI HIT-1 EPOXY	1	



©2018 Jensen Precast. All rights reserved. All materials appearing as Jensen Precast documents and the like are proprietary work, product and are protected under U.S. copyright and other laws. Unless in conjunction with business conducted with Jensen Precast, any use of Jensen Precast work product without the express written permission of Jensen Precast is prohibited, and recipient is prohibited from distributing any and all work product to any third party without the prior written permission of Jensen Precast.

REV	DATE	DESCRIPTION	BY
B	4/27/2018	ADDED 3/8" EXPANSION JOINT CALLOUT	RR
C	5/2/2018	REVISED ADHESIVE HILTI-HFX TO HILTI HIT-1	RR
D	5/21/2018	ADDED 25-11-211 (QTY. 1)	RR

REVISION HISTORY	DESCRIPTION	BY
B	ADDED 3/8" EXPANSION JOINT CALLOUT	RR
C	REVISED ADHESIVE HILTI-HFX TO HILTI HIT-1	RR
D	ADDED 25-11-211 (QTY. 1)	RR

VAULT DESC: REPLACEMENT AND RESTRAINT INSTALLATION (TYPE 1)	
PART ID: K45-VN12-R1-11	JOB NO:
DATE CREATED: 2/15/2018	DATE MODIFIED: 2/15/2018
DRAWN BY: RRAMOS	SHEET: 1 OF 1
REV: D	