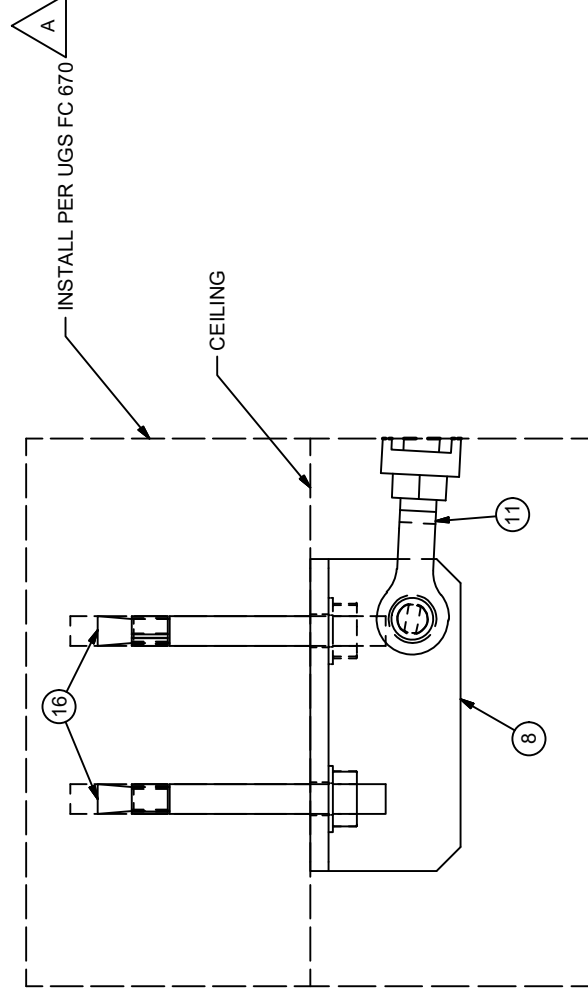


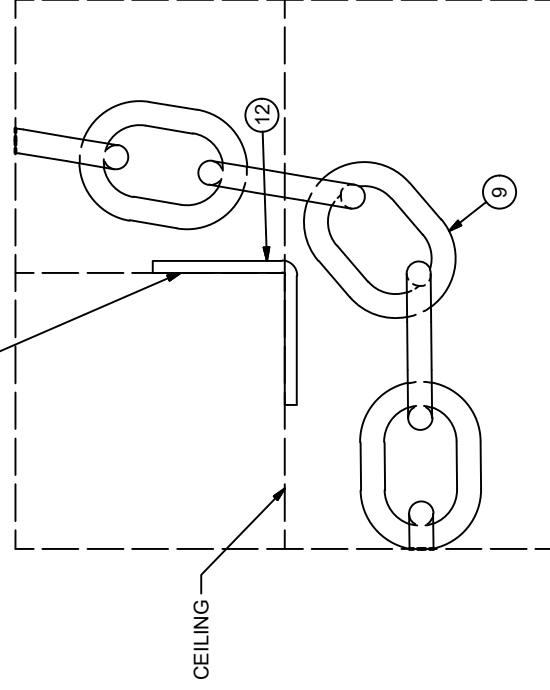
BILL OF MATERIALS

ITEM	PART NUMBER	DESCRIPTION	#	WEIGHT (lbs)
1	VN58-N12-11	NECK, 5'-0" X 8'-0" X 1'-0" EDISON	1	2346
2	VN45-T8-11S	COVER SLAB, 4' X 5' X 8" W/30" DIA. RING NF-15812024 ED, DIAMOND PLATE IMPRINT	1	1730
3	VN58-T8-11	COVER SLAB, 3' 11" X 5' X 8", DIAMOND PLATE IMPRINT	1	2120
4	04-30-114	COVER 30" SWIVELLOC "EDISON"	1	257
5	55-35-06	PULL IRON, 7/8" x 6" GALV.	8	
6	20-20-60	NUT, 3/4" HEX COIL POST YELLOW DIP	8	
7	20-30-06	PLUG, RUBBER PICKHOLE ED/LA C.I. COVER	1	
8	20-26-13	WT3x10.6.5" LENGTH GALV.	8	
9	20-10-810C	1/2" GALV. CHAIN, 7-1/2 FT LONG, GRADE 30 (FIELD CUT)	8	
10	20-10-811	5/8" GALV. SHACKLE WITH 3/4" PIN W/ COTTER PINS	8	
11	20-10-813	TURNBUCKLE CLEVIS-TO-CLEVIS 3/4 THREADED W/ HEX NUTS (GALVANIZED)	8	
12	55-11-336	STAINLESS STEEL ANGLE L3X3X1/4 - 6" LENGTH	8	
13	20-10-610	BOLT, 3/4" X 10 1/2" COIL POST YELLOW DIP	4	
14	20-25-61	WASHER, 3/4" CUT PLATED	8	
15	SCB58-GV-16	STL TUBE SUPPORT 58 GALV W/ ENDS NOTCHED	1	242
16	20-10-560	HILTI KWIK BOLT TZ STAINLESS STEEL EXPANSION ANCHOR 5/8" DIA. x 6" LENGTH	16	
17	20-30-07	PLUG, PLASTIC FOR VN CONCRETE SLAB	8	

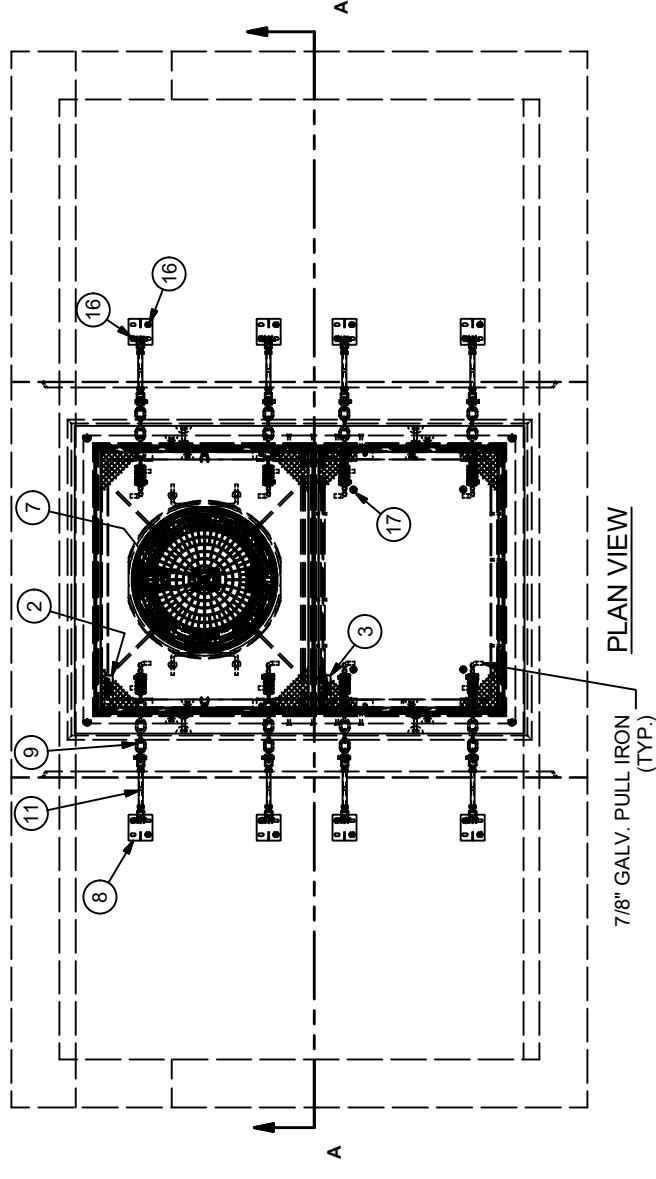


DETAIL B

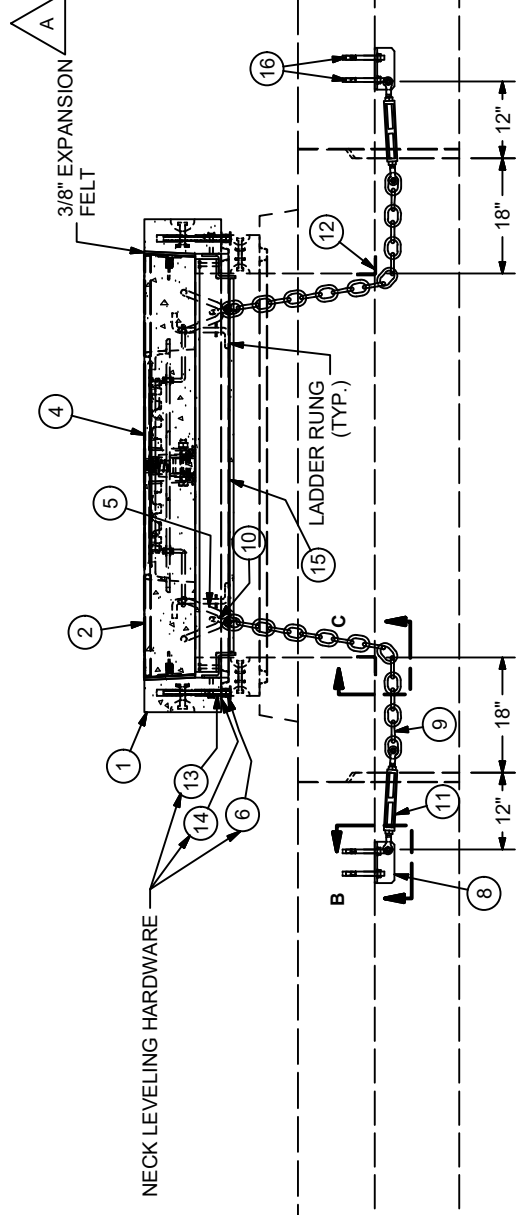
CLEAN SURFACE OF DEBRIS AND/OR PAINT AND BOND ITEM 12 W/ HILTI-HIT 1 HYBRID ADHESIVE



DETAIL C



PLAN VIEW



SECTION A-A

SPECIAL HANDLING NOTE: THIS CONCRETE PRODUCT IS DESIGNED TO BE LIFTED WITH 4 (FOUR) EQUALLY LOADED RIGGINGS LEGS MIN. 60° SLING ANGLE, MEASURED FROM HORIZONTAL.

REVISION HISTORY

REV	DATE	DESCRIPTION	BY
A	4/2/18	REVISED PER CUSTOMER REDLINES. CHANGED HILTI-HFX TO HILTI HIT-1	RR
B	4/9/2018	RENAMED FILE FROM K58-VN12-11-RETRO TO K58-VN12-R1-11	RR
C	4/12/2018	REVISED 20-10-813 TO CALL OUT HEX NUTS	RR



©2018 Jensen Precast. All rights reserved. All materials appearing as Jensen Precast documents and the like are proprietary work product and are protected under U.S. Copyright and other laws. Unless in conjunction with business conducted with Jensen Precast, any use of Jensen Precast work product without the express written consent of Jensen Precast is prohibited, and recipient is prohibited from distributing any and all work product to non-approved third parties, under penalty of civil action.

VALUET DESC: 5' - 0" X 8' - 0" X 1' - 0" RETROFIT KIT	JOB NO:
PART ID: K58-VN12-R1-11	DATE MODIFIED: 1/16/2018
CREATED: 1/16/2018	DRAWN BY: RRAMOS
SHEET: 1 OF 1	REV: C