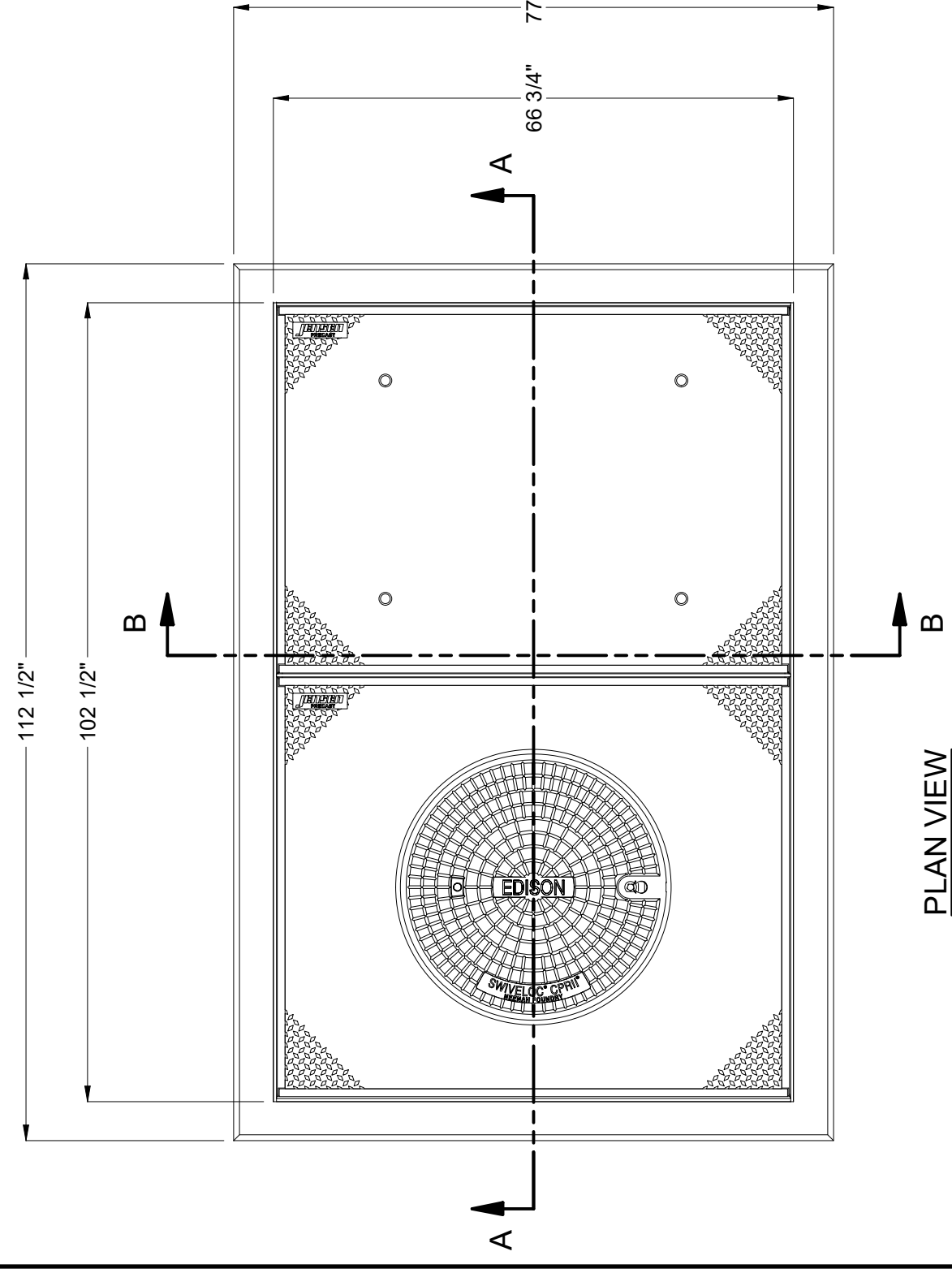


**DESIGN NOTES**

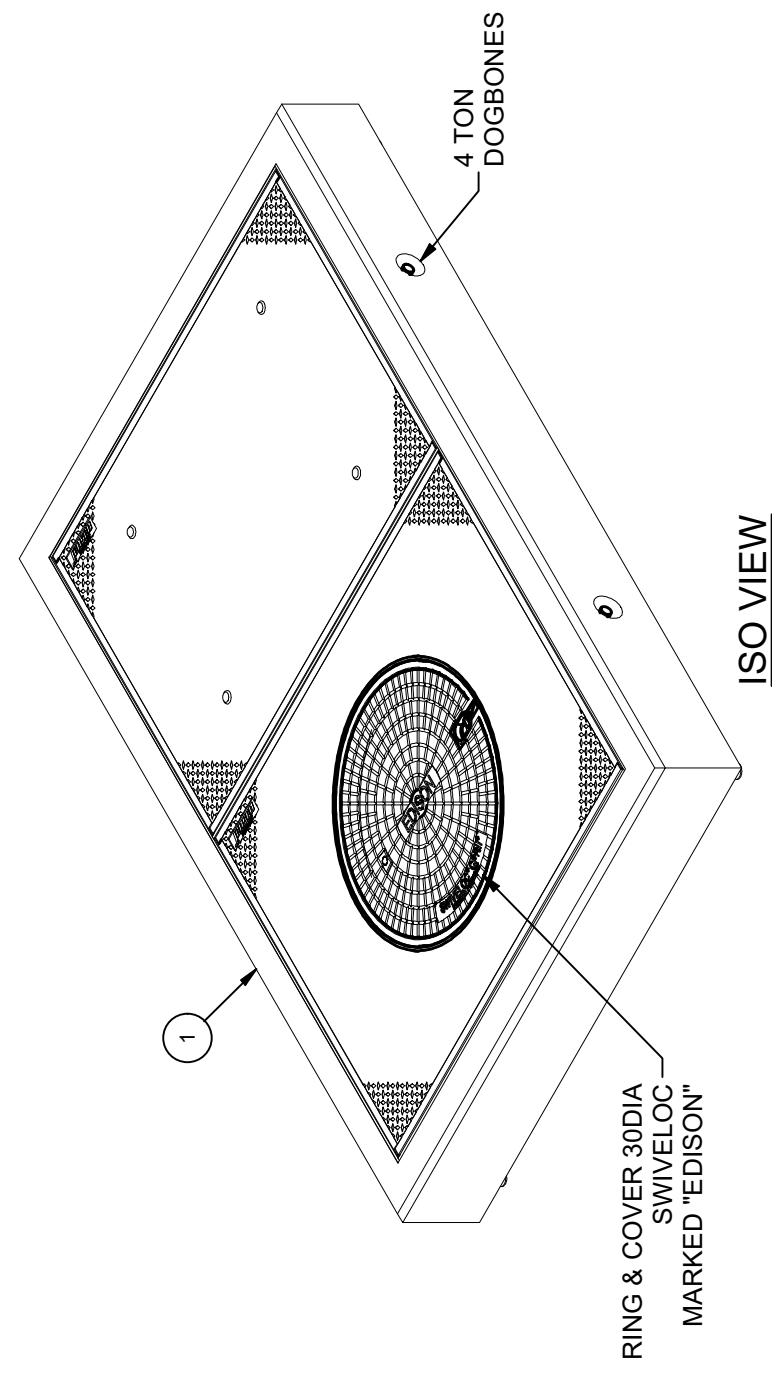
- DESIGNED IN ACCORDANCE WITH AASHTO HS-20-44 TRAFFIC BRIDGE LOADING USING 5,500 PSI COMPRESSIVE STRENGTH CONCRETE AND 60,000 PSI YIELD STRENGTH ASTM A-706 STEEL REINFORCEMENT PER CALCS. #34267.
- MINIMUM EXCAVATION SIZE: 7'-5" X 10'-4" X DEPTH REQ'D.
- COVER DESIGN FOR TRAFFIC LOADING.
- ALL PARTS TO BE STENCILED: MFG DATE / JOB NUMBER / PRODUCT ID / WEIGHT.
- EXTENSIONS AS REQUIRED
- FOR COMPLETE DESIGN AND PRODUCT INFORMATION CONTACT JENSEN PRECAST.

**BILL OF MATERIALS**

ITEM	UNIT QTY	QTY	PART NUMBER	DESCRIPTION	MASS (lb)
1	1	1	200086553	Vault Neck and Plug Cover Assembly 6096x12 30"E Edison FC 642 Swiveloc	6811
2	1	8	100007136	WASHER FLAT 3/4 REGULAR TYPE A ZINC	
3	1	8	100007010	HEX COIL NUT 3/4-4.5 POST YELLOW DIP	
4	1	4	100009239	ROD THREADED COIL YELLOW DIP 3/4 X 10-1/2"	
5	1	1	100008798	ADHESIVE SIKADUR 31 HI-MOD GEL	



**PLAN VIEW**



**ISO VIEW**

**LIFTING NOTES**

- FIELD INSTALLATION: PLANT DEMOLING: MINIMUM HANDLING CONCRETE STRENGTH F<sub>c</sub> = 5500 PSI RIGGING EQUALIZER REQUIRED TO EQUALIZE LOAD TO 4 LIFTING POINTS WITH A SLING ANGLE BETWEEN 60° AND 90°
- BURY DEPTH: 0.0' - 0.0' to Top
- WATER LEVEL: 3.0'
- APPROX. WEIGHT: 6816.79 Lbs
- DESIGN SPEC: ACI 318, ASTM C857
- LOADING SPEC: A-16 (AASHTO HS20-44)
- AGENCY: Edison
- AGENCY SPEC: FC 642 Swiveloc

©2024 Jensen Precast. All rights reserved. All materials appearing as Jensen Precast documents and the like are proprietary work product and are protected under U.S. copyright and other laws. Unless in conjunction with business conducted with Jensen Precast, any use of Jensen Precast work product without express, written consent is prohibited, and recipient is prohibited from distributing any and all work product to non-approved third parties under penalty of civil action.

REVISION HISTORY		DATE	APPROVED
REV	DESCRIPTION	INITIAL RELEASE INVENTOR	
B-1		3/6/2024	

DESCRIPTION: Vault Neck and Plug Cover Layout 6096x12 30"E Edison FC 642 Swiveloc

REV: B-1

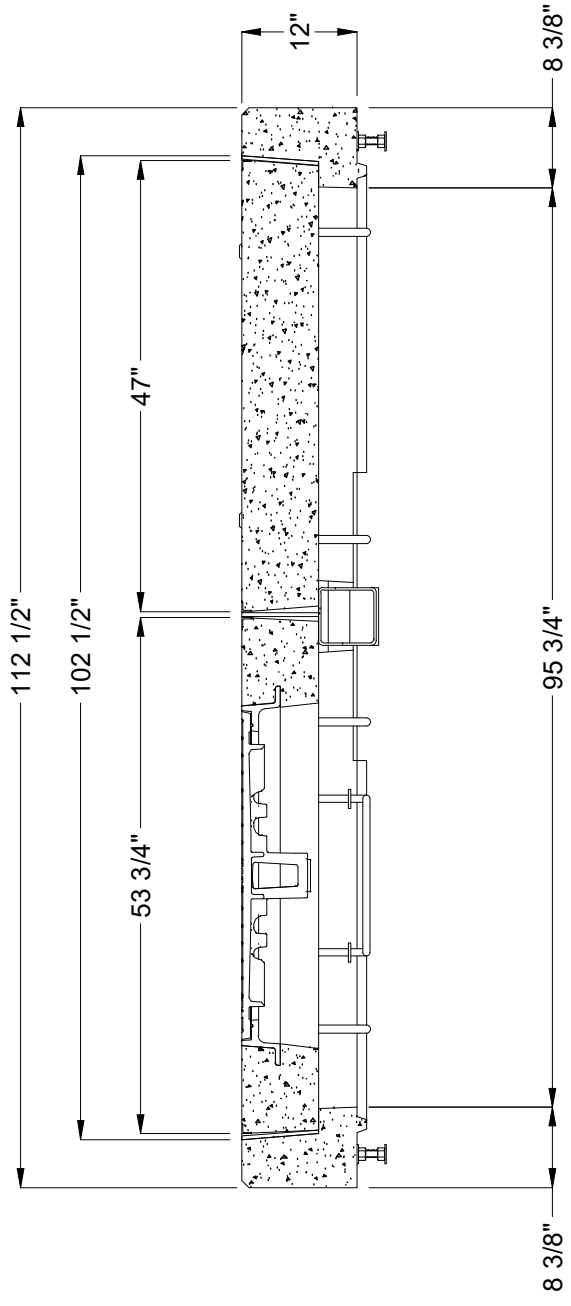
PART NUMBER: 100013952 LAYOUT REVIEW

DRAWN BY: J. Prado

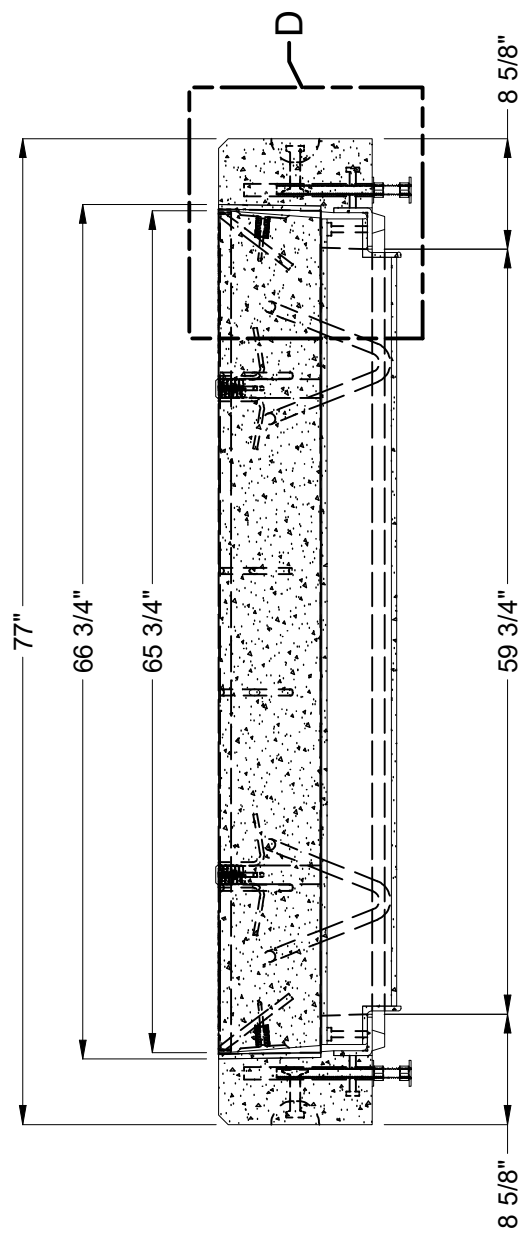
CREATED: 3/4/2024 MODIFIED: 3/6/2024

SHEET: 1 OF 2

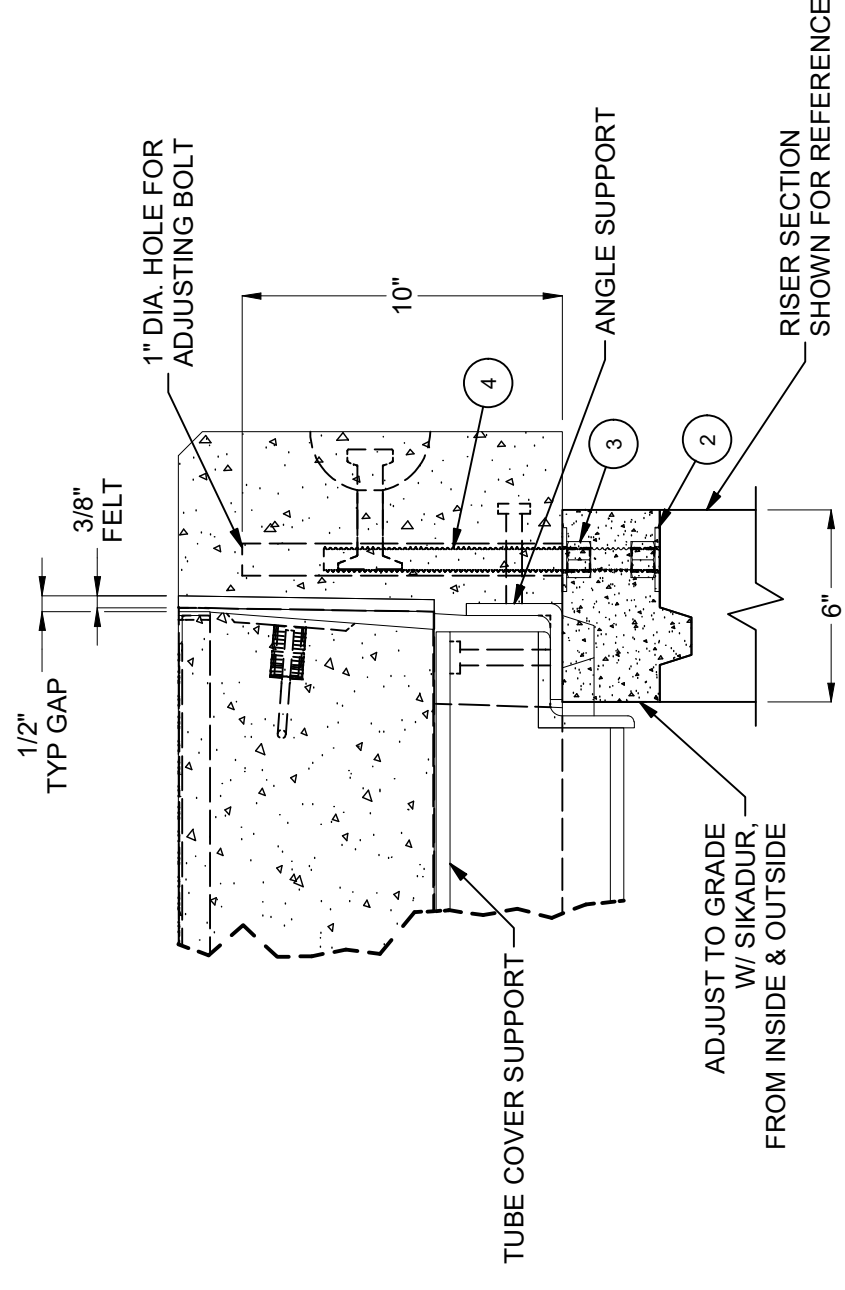
MP1256E10001



**SECTION A-A**



**SECTION B-B**



**DETAIL D**

BURY DEPTH:	0.0' - 0.0' to Top		
WATER LEVEL:	3.0'	APPROX. WEIGHT:	6816.79 Lbs
DESIGN SPEC:	ACI 318, ASTM C857	LOADING SPEC:	A-16 (AASHTO HS20-44)
AGENCY:	Edison	AGENCY SPEC:	FC 642 Swiveloc

**JENSEN PRECAST** EST. 1968  
[WWW.JENSENPRECAST.COM](http://WWW.JENSENPRECAST.COM)

©2024 Jensen Precast. All rights reserved. All materials appearing as Jensen Precast documents and the like are proprietary work product and are protected under U.S. copyright and other laws. Unless in conjunction with business conducted with Jensen Precast, any use of Jensen Precast work product without express, written consent is prohibited, and recipient is prohibited from distributing any and all work product to non-approved third parties under penalty of civil action.

DESCRIPTION:	Vault Neck and Plug Cover Layout 6096x12.30"E Edison FC 642 Swiveloc		
REV:	B-1	LAYOUT REVIEW	
PART NUMBER:	100013952	DRAWN BY:	J. Prado
CREATED:	3/4/2024	MODIFIED:	3/6/2024