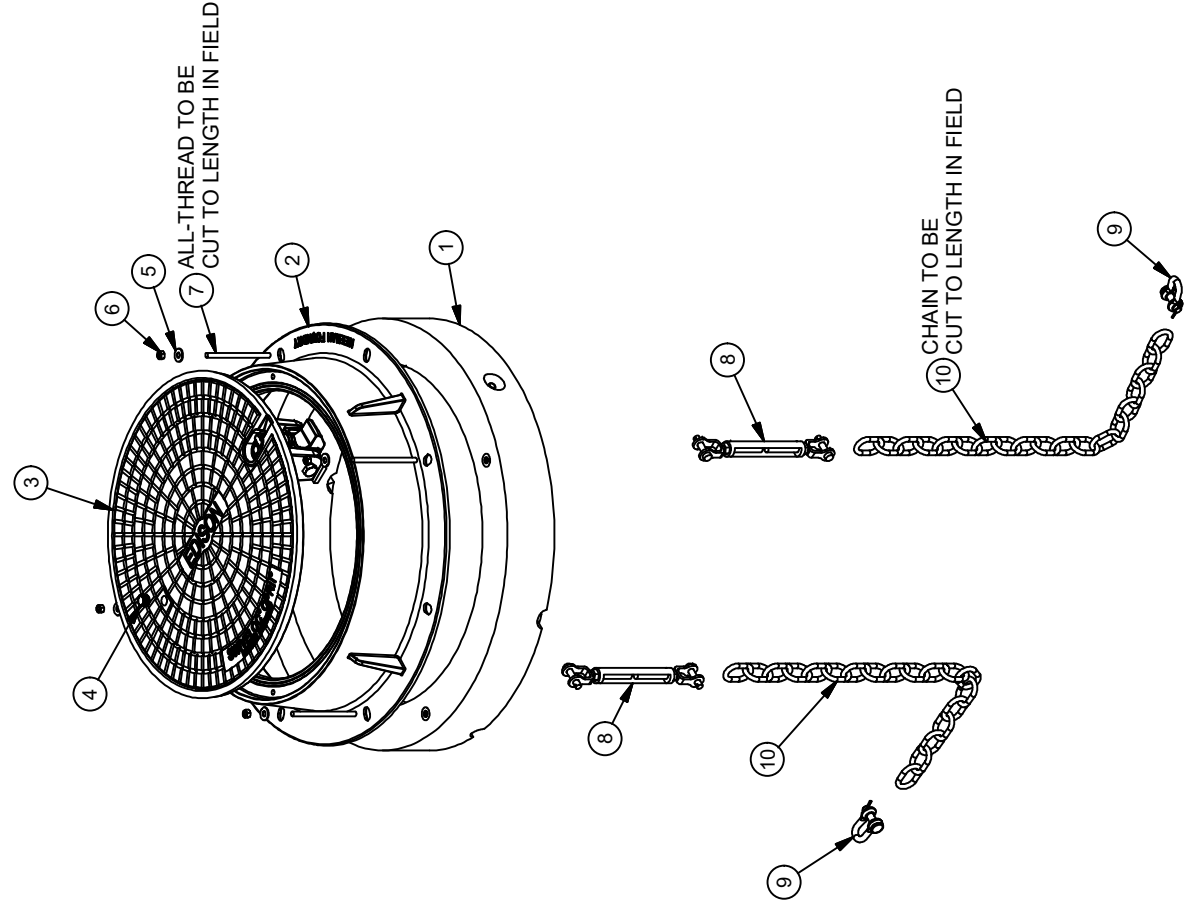


**BILL OF MATERIALS**

ITEM	PART NUMBER	DESCRIPTION	REBAR NO.	#	WEIGHT (lbs)
1	MN36-R6F	NECK .36-6" GRADE RING (FLAT TOP)	CG-MN36-LOOP	1	310
2	05-30-116	RING, 30" NF-01502001 8" HIGH		1	253
3	04-30-114	COVER 30" SWIVELOC "EDISON"		1	257
4	20-30-06	PLUG, RUBBER PICKHOLE ED/LA C.I. COVER		1	
5	20-25-40	WASHER, 1/2" FLAT PLAIN		8	
6	20-20-41	NUT, 1/2" HEX GALV. HVY		8	
7	20-10-458	1/2-13 X 8" LONG ALL THREAD		4	
8	20-10-813	TURNBUCKLE CLEVIS-TO-CLEVIS 3/4 THREADED W/ 2 HEX NUTS (GALVANIZED)		2	
9	20-10-811	5/8" GALV. SHACKLE WITH 3/4" PIN W/ COTTER PINS		2	
10	20-10-810C	1/2" GALV. CHAIN, 7-1/2 FT LONG, GRADE 30 (FIELD CUT)		2	

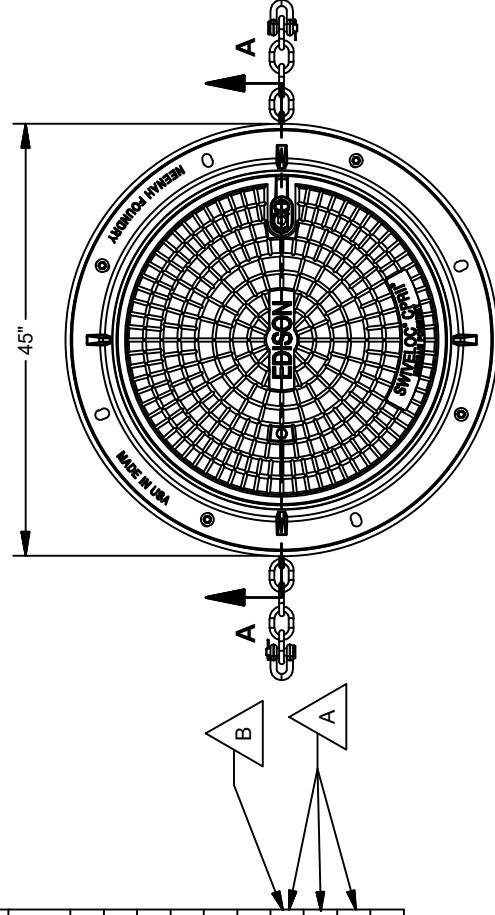


**EXPLODED VIEW**

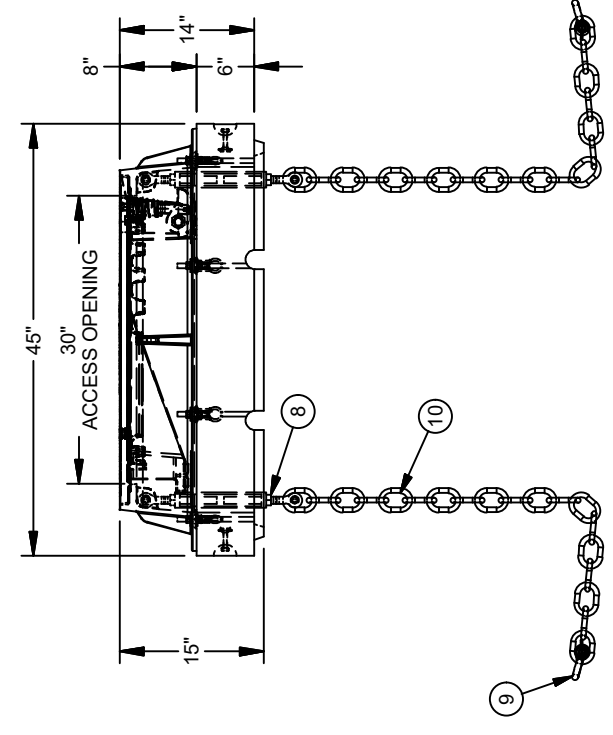
NOTES:

- DESIGNED IN ACCORDANCE WITH AASHTO H-20-44 TRAFFIC BRIDGE LOADING USING 5,500 PSI COMPRESSIVE STRENGTH CONCRETE AND 60,000 PSI YIELD STRENGTH ASTM A-706 STEEL REINFORCEMENT PER CALCS. #31637.
- COVER DESIGN FOR TRAFFIC LOADING.
- LIMIT OF COVER OVER ROOF SECTION IS 1'-6" TO 4'-0".
- CONCRETE MIX USED IN POURING THIS PRODUCT SHALL USE FLY ASH AS AN ADMIXTURE.
- ALL PARTS TO BE STENCILED: MFG DATE / JOB NUMBER / PRODUCT ID / WEIGHT.

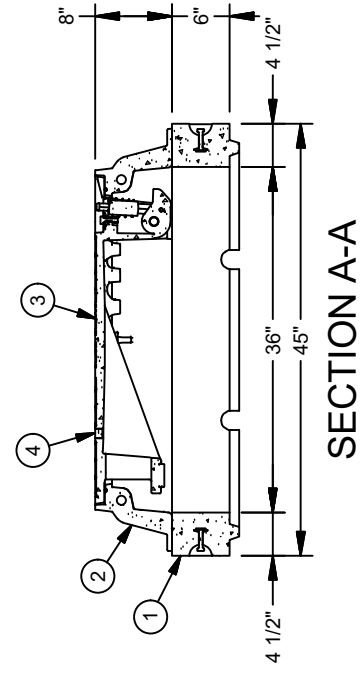
AGENCY: EDISON  
 AGENCY SPEC: UGS MH319  
 MANUFACTURING SPEC: ASTM C858



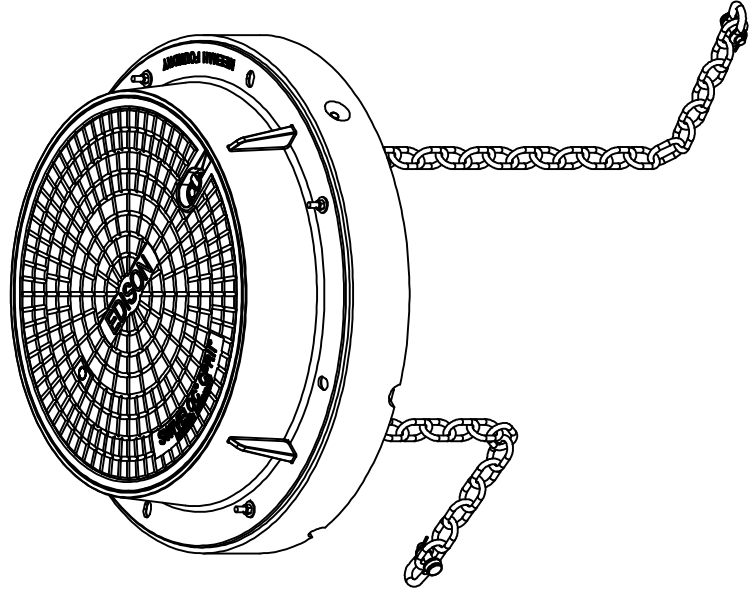
**PLAN VIEW**



**SIDE VIEW**



**SECTION A-A**



**ISO VIEW**

REVISION HISTORY

REV	DATE	DESCRIPTION	BY
A	4/11/2018	ADDED 20-10-811, 20-10-813, AND 20-10-810C	RR
B	4/12/2018	REVISED 20-10-813 TO CALL OUT HEX NUTS	RR

**JENSEN PRECAST** EST. 1968  
 825 STENERI WAY  
 SPARKS, NV 89431  
 WWW.JENSENPRECAST.COM

©2018 Jensen Precast. All rights reserved. All materials appearing as Jensen Precast documents and the like are proprietary work, product and are protected under copyright and other laws. Unless in conjunction with business conducted with Jensen Precast, any use of Jensen Precast work product without the express written consent of Jensen Precast is prohibited, and recipient is prohibited from distributing any and all work product to non-approved third parties under penalty of civil action.

VAULT	DESC: 30" DIA. MANHOLE SWIVELOC COVER & NECK x 14" DEEP
PART ID:	K36-MN14-11TS
DATE CREATED:	2/16/2018
DRAWN BY:	RRAMOS
SHEET:	1 OF 1
REV:	B

FILENAME: K36-MN14-11TS.idw