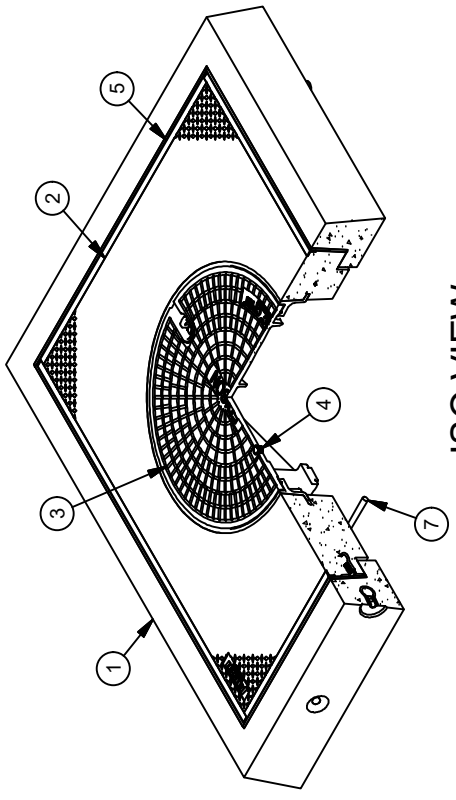


**BILL OF MATERIALS**

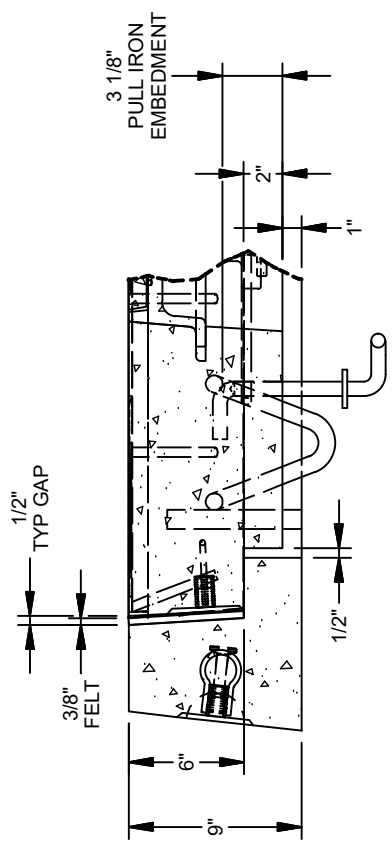
ITEM	PART NUMBER	DESCRIPTION	QTY	MOUNT	WEIGHT (lbs)
1	VN45-N9-11	NECK, 4'-0" X 5'-0" X 9" EDISON	1		1262
2	VN45-T8-MOD-11S	COVER SLAB, 4' X 5' X 6" TO 8" W/30" DIA. RING NF-15812024 ED, DIAMOND PLATE IMPRINT	1		1606
3	04-30-114	COVER 30" SWIVELLOC "EDISON"	1		
4	20-30-06	PLUG, RUBBER PICKHOLE ED/LA C.I. COVER	1		
5	25-20-08	3/8" x 8" EXPANDED FELT	20.00 ft		
6	55-35-06	PULL IRON, 78" x 6" GALV.	4		
7	55-35-20	LADDER, STEP GALV. EDISON CAST-IN	2		
8	20-10-610	BOLT, 3/4" X 10 1/2" COIL POST YELLOW DIP	4	SHIP LOOSE	
9	20-20-60	NUT, 3/4" HEX COIL POST YELLOW DIP	8	SHIP LOOSE	
10	20-25-61	WASHER, 3/4" CUT PLATED	8	SHIP LOOSE	

**EXTENSIONS ARE AVAILABLE IN THE FOLLOWING SIZES:**

- A. VN45-R6, 6" RISER SECTION WT. 1167 lbs.
- B. VN45-R12, 12" RISER SECTION WT. 2350 lbs.



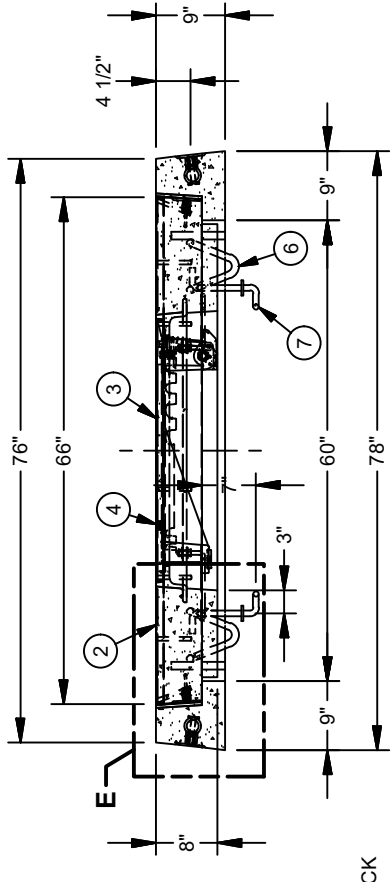
**ISO VIEW**



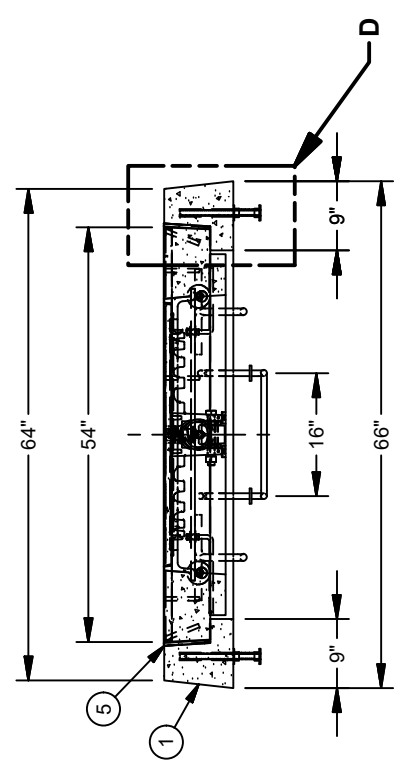
**DETAIL E**

- NOTES:**
- DESIGNED IN ACCORDANCE WITH AASHTO H-20-44 TRAFFIC BRIDGE LOADING USING 5,500 PSI COMPRESSIVE STRENGTH CONCRETE AND 60,000 PSI YIELD STRENGTH ASTM A-706 S STEEL REINFORCEMENT PER CALCS. #31635.
  - COVER DESIGN FOR TRAFFIC LOADING.
  - CONCRETE MIX USED IN POURING THIS PRODUCT SHALL USE FLY ASH AS AN ADMIXTURE.
  - ALL PARTS TO BE STENCILED: MFG DATE / JOB NUMBER / PRODUCT ID / WEIGHT.
  - MINIMUM EXCAVATION SIZE: 7'-6" X 6'-6" DEPTH REQ'D.

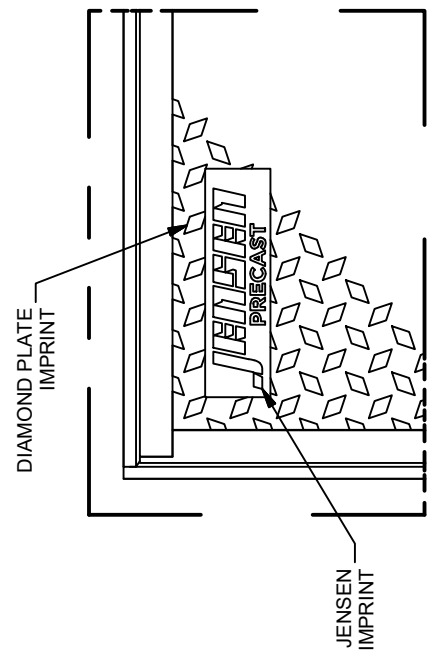
AGENCY: EDISON AGENCY SPEC: UGS VA470 & FC660



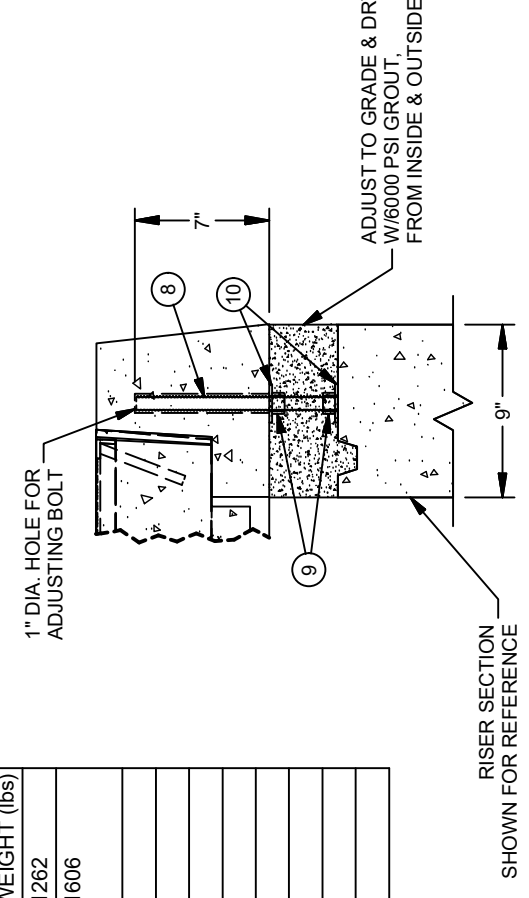
**SECTION A-A**



**SECTION B-B**

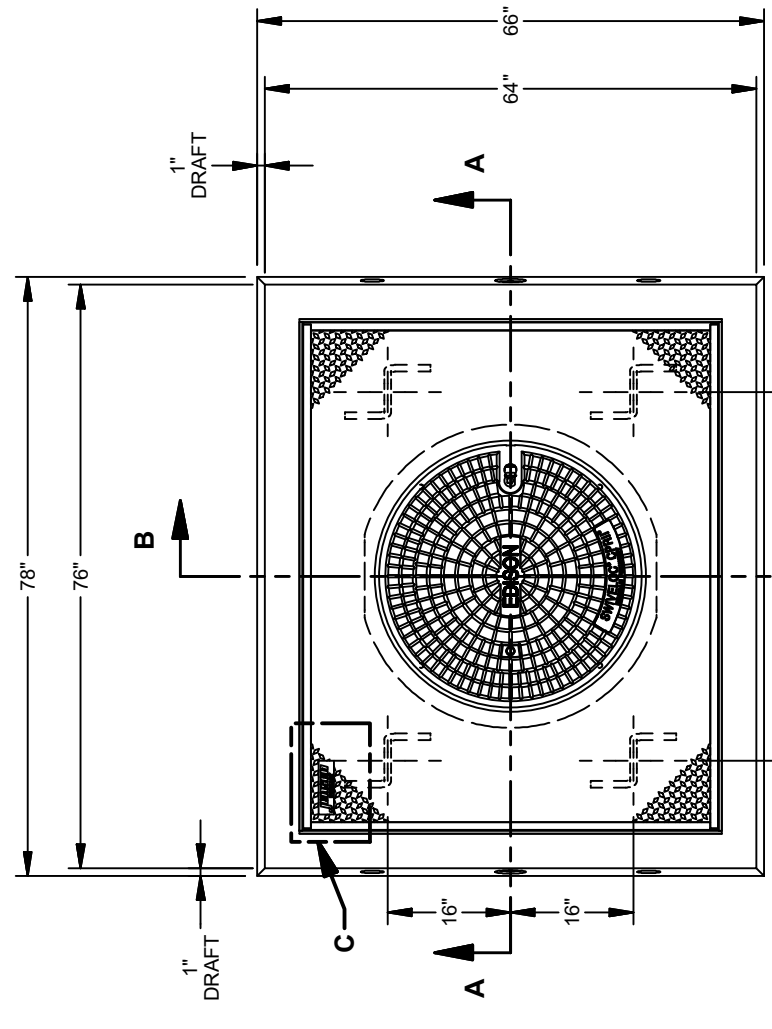


**DETAIL C**



**DETAIL D**

IF NEEDED TO ADJUST TO FINISH GRADE



**PLAN VIEW**

**JENSEN PRECAST** EST. 1968  
 825 STENERI WAY  
 SPARKS, NV 89431  
 WWW.JENSENPRECAST.COM

©2018 Jensen Precast. All rights reserved. All materials appearing as Jensen Precast documents and the like are proprietary work, product and are protected under U.S. copyright and other laws. Unless in conjunction with business conducted with Jensen Precast, any use of Jensen Precast work product without the express written consent of Jensen Precast is prohibited, and recipient is prohibited from distributing any and all work product to non-approved third parties under penalty of civil action.

VALUIT DESC: 4'-0" X 5'-0" X 9" VN EDISON	JOB NO:
PART ID: K45-VN9-11TS	DATE MODIFIED: 5/31/2018
CREATED: 6/19/2018	SHEET: 1 OF 1
DRAWN BY: JPRADO	REV: A

FILENAME: K45-VN9-11TS.idw

REV	DATE	DESCRIPTION	BY
A	6/21/2018	REVISED PULL IRON EMBEDMENT FOR RESTRAINT SYSTEM	JP

**REVISION HISTORY**

MANUFACTURING SPEC: ASTM C858

AGENCY SPEC: UGS VA470 & FC660