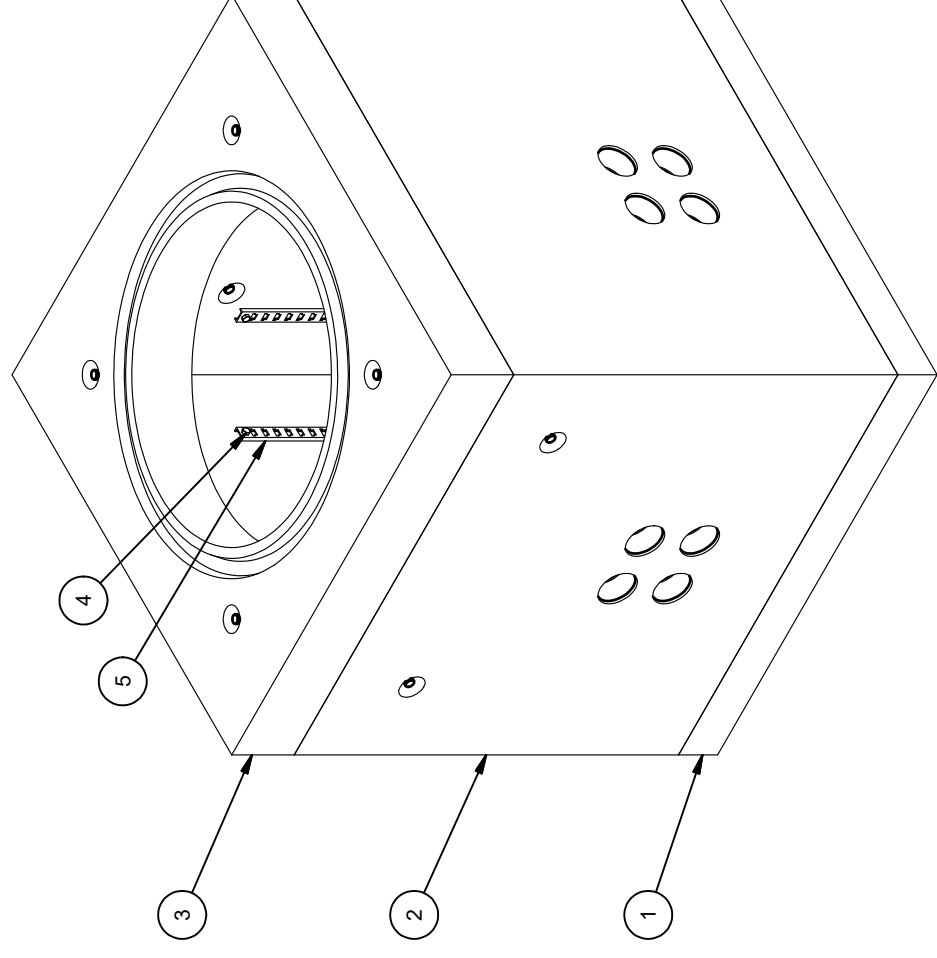


BILL OF MATERIALS

DESIGN NOTES	
■	DESIGNED IN ACCORDANCE WITH AASHTO HS20-44 TRAFFIC BRIDGE LOADING USING 5,500 PSI COMPRESSIVE STRENGTH CONCRETE AND 60,000 PSI YIELD STRENGTH ASTM A-706 STEEL REINFORCEMENT PER CALCS. #34293.
■	LIMIT OF COVER OVER ROOF SECTION IS 1'-0" TO 4'-0".
■	MINIMUM EXCAVATION SIZE: 5'-8" X 5'-8" DEPTH REQ'D.
■	ALL PARTS TO BE STENCILED: MFG DATE / JOB NUMBER / PRODUCT ID / WEIGHT.

ITEM	UNIT QTY	QTY	PART NUMBER	DESCRIPTION	MASS (lb)
1	1	1	100014808	Vault 4848x5 Slab Bottom AT&T	1501
2	1	1	100014809	Riser 4848x49 Terminators AT&T	3421
3	1	1	100012993	Vault 4848x8 Slab Top AT&T	1454
4	1	16	100005059	BOLT HEX 1/2-13 UNC 2.5 ZINC	
5	1	8	100002527	CABLE RACK 18 HOLE GALV TABS	
6	1.000 ul	1.000 ul	100005749	SEALANT JOINT BUTYL RUBBER ASTM C-990 AND M198 CS-102 1IN EQUIV X14.5FT PER BOX 118FT	



ISO VIEW

LIFTING NOTES	
■	FIELD INSTALLATION: PLANT DEMOLDING: MINIMUM HANDLING CONCRETE STRENGTH F _c = 5500 PSI RIGGING EQUALIZER REQUIRED TO EQUALIZE LOAD TO 4 LIFTING POINTS WITH A SLING ANGLE BETWEEN 60° AND 90°
BURY DEPTH:	1.0' - 4.0' to Top
WATER LEVEL:	3.0'
DESIGN SPEC:	ACI 318, ASTM C857
AGENCY:	AT&T
APPROX. WEIGHT:	6396.22 Lbs
LOADING SPEC:	A-16 (AASHTO HS20-44)
AGENCY SPEC:	

REVISION HISTORY		
REV	DESCRIPTION	DATE
B-4	INITIAL INVENTOR RELEASE	8/8/2023

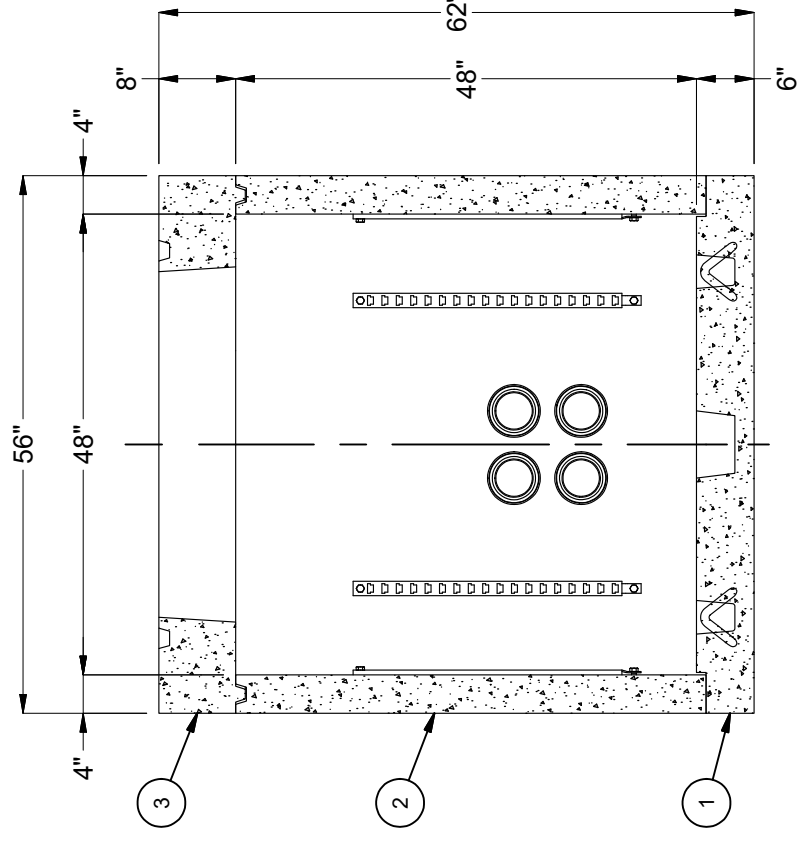
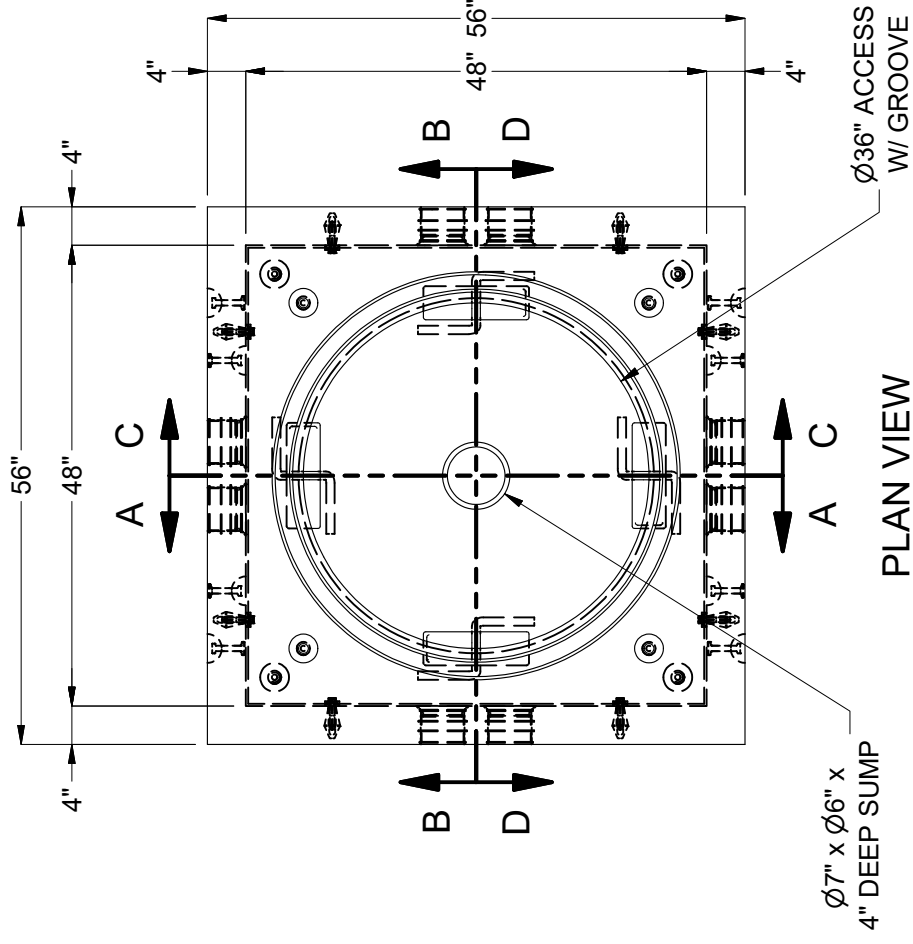
DESCRIPTION:	Vault Layout 4848x48 Terminators 36°C AT&T
PART NUMBER:	100014807
CREATED:	8/1/2023
DRAWN BY:	J. Prado
MODIFIED:	8/8/2023

JENSEN PRECAST EST. 1968
 WWW.JENSENPRECAST.COM

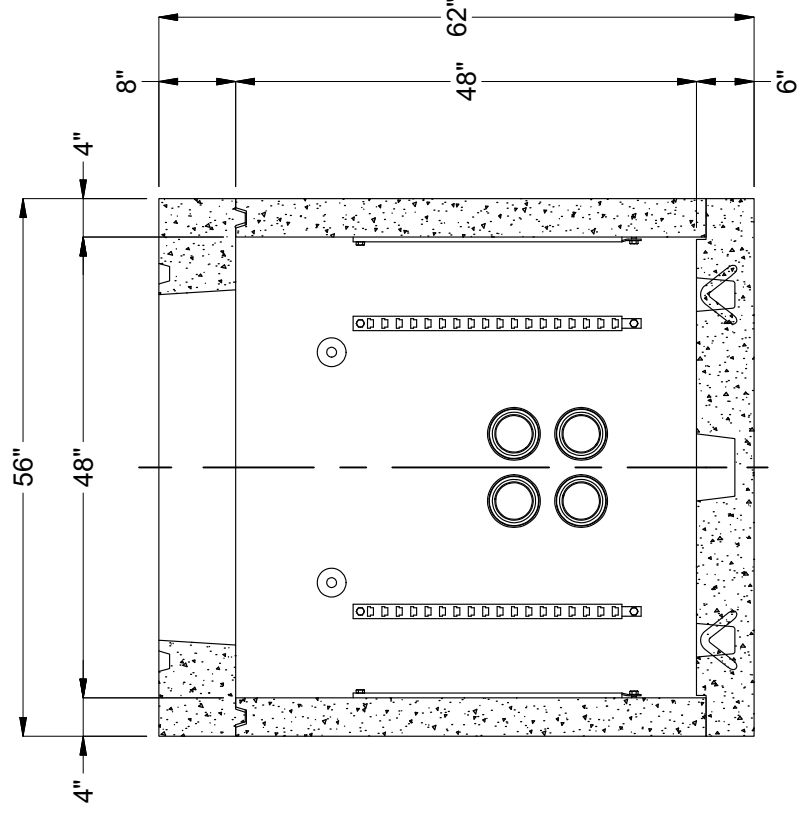
©2023 Jensen Precast. All rights reserved. All materials appearing as Jensen Precast documents and the like are proprietary work product and are protected under U.S. copyright and other laws. Unless in conjunction with business conducted with Jensen Precast, any use of Jensen Precast work product without express, written consent is prohibited, and recipient is prohibited from distributing any and all work product to non-approved third parties under penalty of civil action.

REV:	B-4
SHEET:	22
1 OF 2	

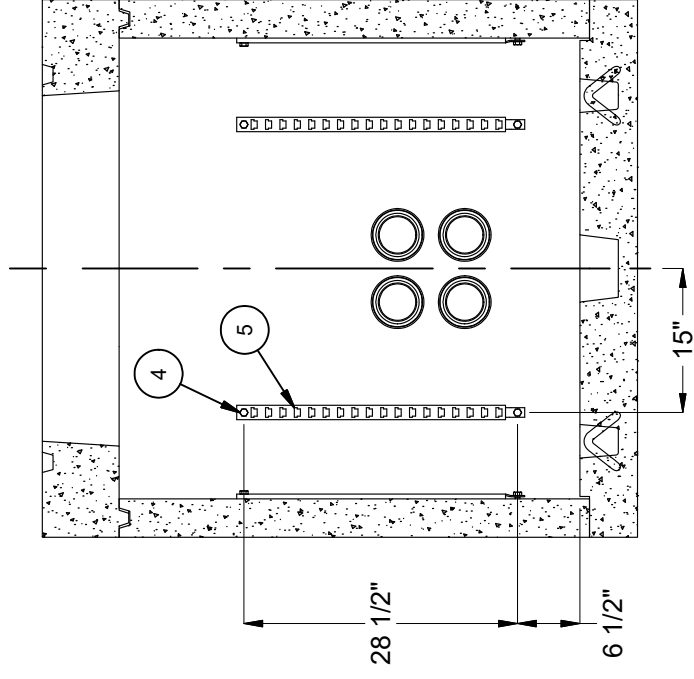
MPI: 208b10001



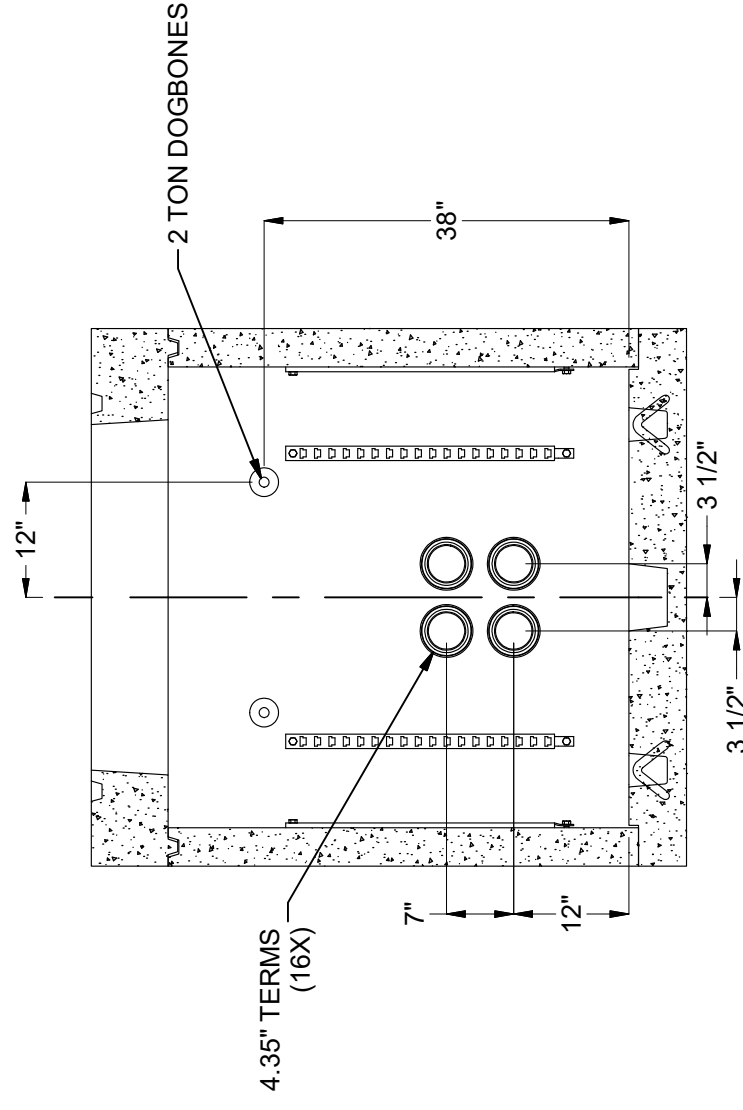
SECTION A-A



SECTION B-B



SECTION C-C



SECTION D-D

BURY DEPTH:	1.0' - 4.0' to Top
WATER LEVEL:	3.0'
DESIGN SPEC:	ACI 318, ASTM C857
AGENCY:	AT&T
APPROX. WEIGHT:	6396.22 Lbs
LOADING SPEC:	A-16 (AASHTO HS20-44)
AGENCY SPEC:	

JENSEN PRECAST EST. 1968
 WWW.JENSENPRECAST.COM

©2023 Jensen Precast. All rights reserved. All materials appearing as Jensen Precast documents and the like are proprietary work product and are protected under U.S. copyright and other laws. Unless in conjunction with business conducted with Jensen Precast, any use of Jensen Precast work product without express, written consent is prohibited, and recipient is prohibited from distributing any and all work product to non-approved third parties under penalty of civil action.

DESCRIPTION:	Vault Layout 4848x48 Terminators 36°C AT&T
PART NUMBER:	100014807
CREATED:	8/1/2023
LAYOUT DRAWING	
DRAWN BY:	J. Prado
MODIFIED:	8/8/2023

REV:	B-4
SHEET:	23
	2 OF 2

MPI:Z08b10001