

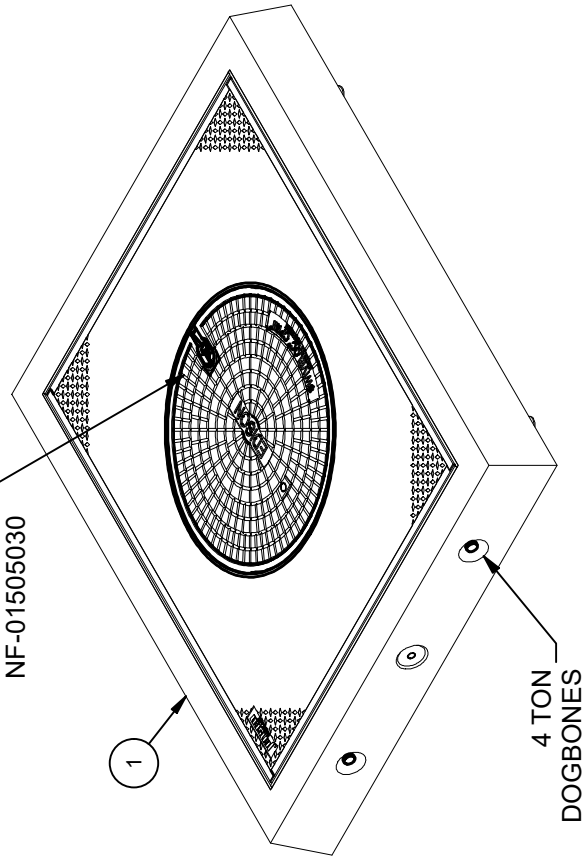
DESIGN NOTES

- DESIGNED IN ACCORDANCE WITH AASHTO HS20-44 TRAFFIC BRIDGE LOADING USING 5,500 PSI COMPRESSIVE STRENGTH CONCRETE AND 60,000 PSI YIELD STRENGTH ASTM A-706 STEEL REINFORCEMENT PER CALCS. #34294-MOD.
- MINIMUM EXCAVATION SIZE: 6'-6" X 7'-6" X DEPTH REQ'D.
- COVER DESIGN FOR TRAFFIC LOADING.
- ALL PARTS TO BE STENCILED: MFG DATE / JOB NUMBER / PRODUCT ID / WEIGHT.
- EXTENSIONS AS REQUIRED
- FOR COMPLETE DESIGN AND PRODUCT INFORMATION CONTACT JENSEN PRECAST.

EXTENSIONS ARE AVAILABLE IN THE FOLLOWING SIZES:

- A. 200012851 (VN45-R6-12), 6" EXTENSION SECTION (CG-VN45-R6-12) WT. 1170 lbs.
- B. 100012875 (VN45-R12-12), 12" EXTENSION SECTION (CG-VN45-R12-12) WT. 2352 lbs.

CI CVR 30DIA NF SWIVELOC
ASTM A49 CL35B LH SO CAL EDISON
NF-01505030



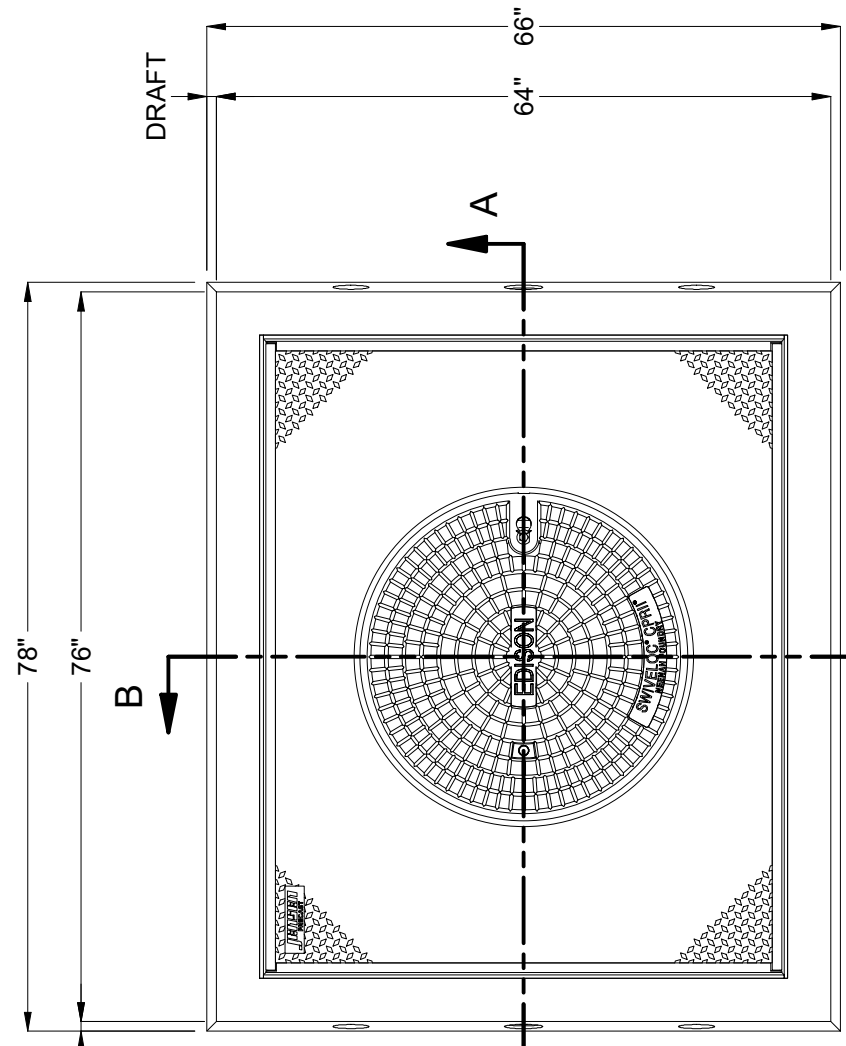
ISO VIEW

LIFTING NOTES

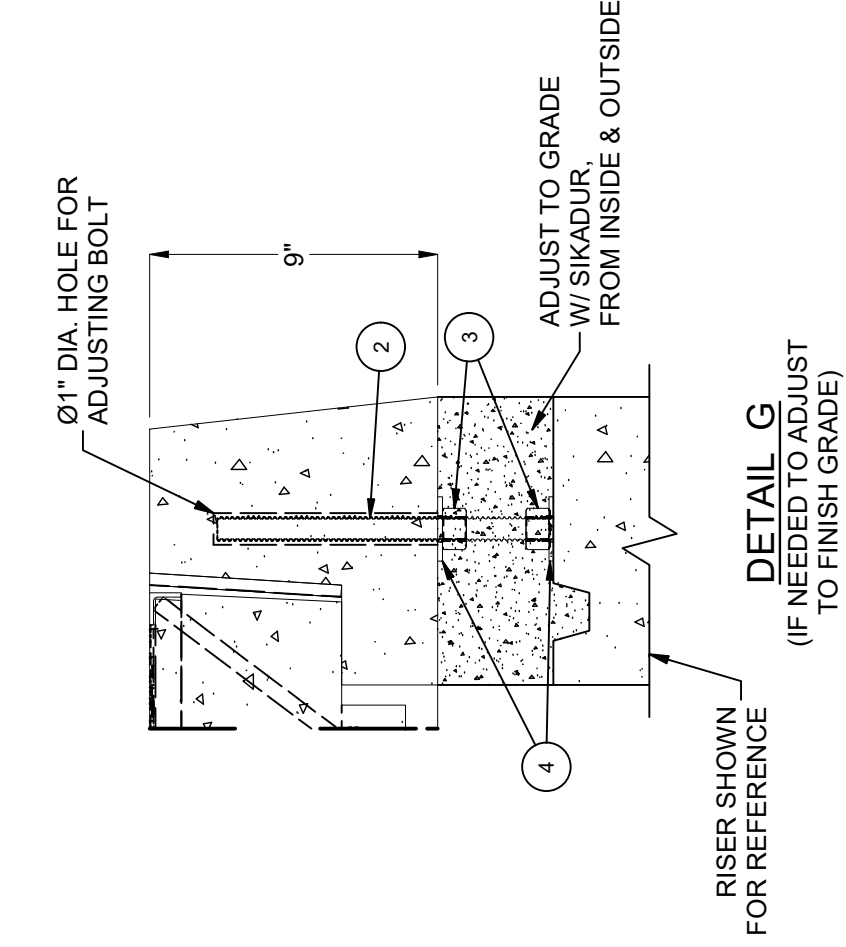
FIELD INSTALLATION: PLANT DEMOLING: MINIMUM HANDLING CONCRETE STRENGTH F _c = 5500 PSI RIGGING EQUALIZER REQUIRED TO EQUALIZE LOAD TO 4 LIFTING POINTS WITH A SLING ANGLE BETWEEN 60° AND 90°	
BURY DEPTH:	0.0' - 0.0' to Top
WATER LEVEL:	Below Structure
DESIGN SPEC:	ACI 318, ASTM C857
AGENCY:	Edison
APPROX. WEIGHT:	3313.3 Lbs
LOADING SPEC:	A-16 (AASHTO HS20-44)
AGENCY SPEC:	UGS VA470 & FC 64T-MOD Swiveloc

BILL OF MATERIALS

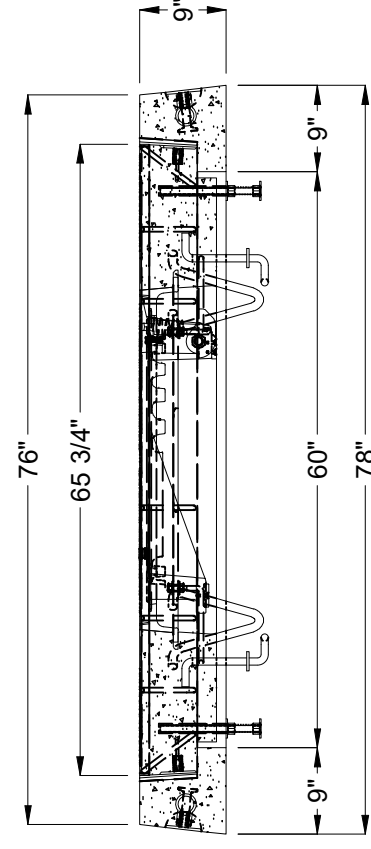
ITEM	UNIT QTY	QTY	PART NUMBER	DESCRIPTION	MASS (lb)
1	1	1	200021878	Vault Neck and Plug Cover Assembly 4860x9 30°C Edison UGS VA470 & FC 641-MOD Swiveloc	3307
2	1	4	100009239	ROD THREADED COIL YELLOW DIP 3/4 X 10-1/2"	
3	1	8	100007010	HEX COIL NUT 3/4-4.5 ZINC - PLATED	
4	1	8	100007136	WASHER FLAT 3/4 REGULAR TYPE A ZINC	
5	1	1	100008798	ADHESIVE SIKADUR 31 HI-MOD GEL	



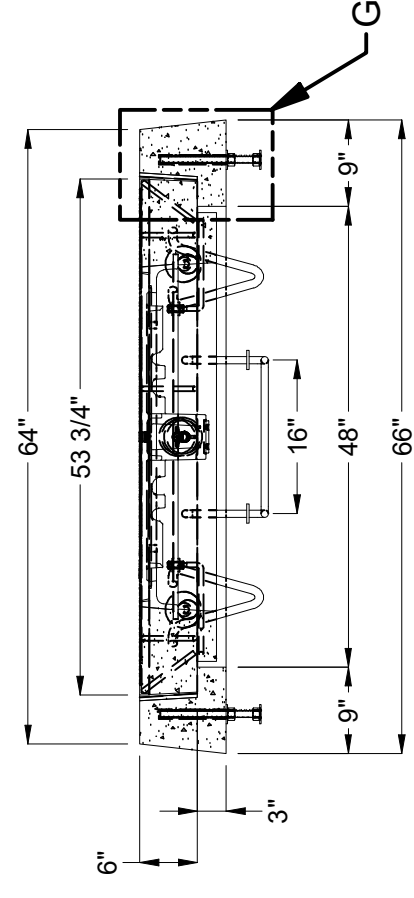
PLAN VIEW



DETAIL G
(IF NEEDED TO ADJUST TO FINISH GRADE)



SECTION A-A



SECTION B-B

REVISION HISTORY

REV	DESCRIPTION	DATE	APPROVED
C-1	REPLACED INVENTORY VAULT NECK	7/31/2024	

DESCRIPTION:

REV:	C-1
DESCRIPTION:	Vault Neck and Plug Cover Layout 4860x9 30°C Edison UGS VA470 & FC 641-MOD Swiveloc
PART NUMBER:	100014855
CREATED:	6/7/2023
LAYOUT REVIEW:	J. Prado
MODIFIED:	7/31/2024
SHEET:	53
1 OF 1	

©2024, Jensen Precast. All rights reserved. All materials appearing as Jensen Precast documents and the like are proprietary work product and are protected under U.S. copyright and other laws. Unless in conjunction with business conducted with Jensen Precast, any use of Jensen Precast work product without express, written consent is prohibited, and recipient is prohibited from distributing any and all work product to non-approved third parties under penalty of civil action.



EST. 1968

WWW.JENSENPRECAST.COM