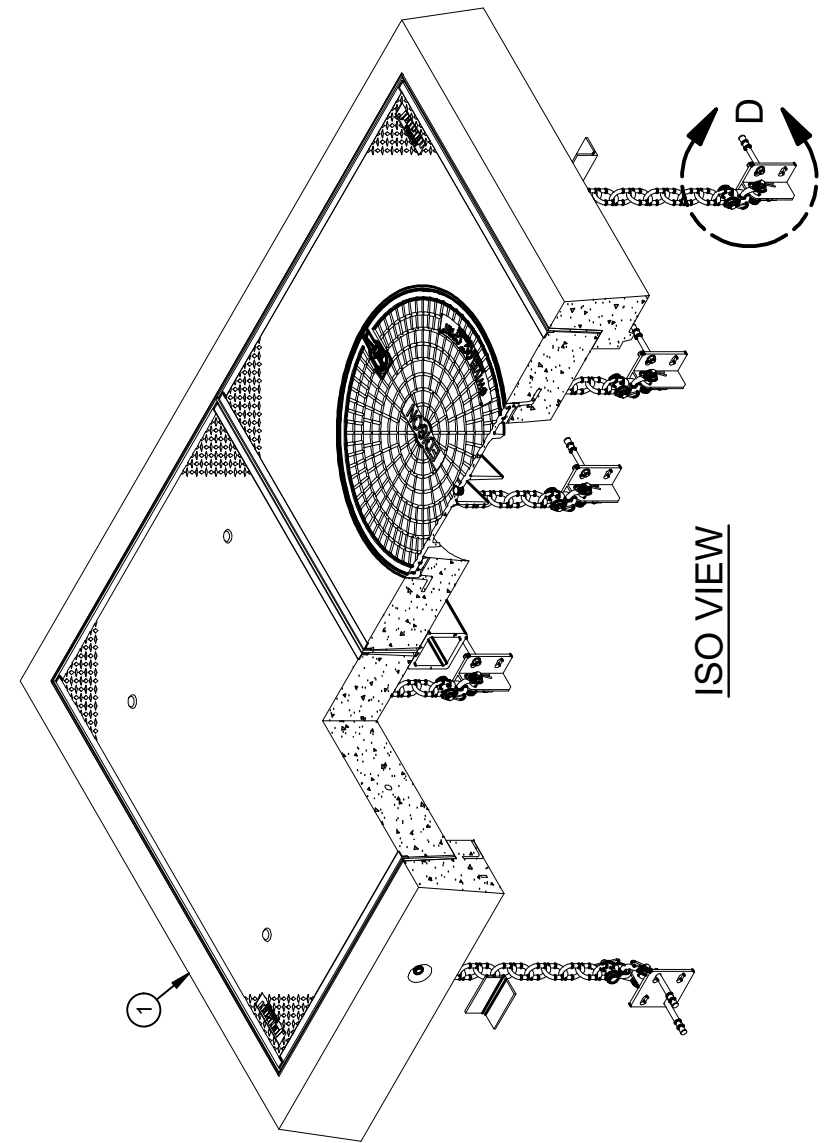


BILL OF MATERIALS

ITEM	UNIT QTY	QTY	PART NUMBER	DESCRIPTION	MASS (lbs)
1	1	1	200024560	KIT 5'X8'X12" VN EDISON W/ SWIVELOC TYPE 7 & 8	7037
2	1	4	100009239	ROD THREADED COIL YELLOW DIP 3/4 X 10-1/2"	
3	1	8	100007136	WASHER FLAT 3/4 REGULAR TYPE A ZINC	
4	1	8	100007010	HEX COIL NUT 3/4-4.5 POST YELLOW DIP	
5	1	16	100009367	SHACKLE 5/8IN W/3/4 COTTER PIN GALV	
6	1	8	100009368	TURNBUCKLE CLEVIS-TO-CLEVIS 3/4 THREADED GALV	
7	1	8	100013515	CHAIN 1/2 7-1/2FT GR-30 (FIELD CUT)	
8	1	8	100009995	PLATE WT3X-10-6.5 GALV EDISON	
9	1	16	100009991	ANCHOR KWIKBOLT TZ EXPANSION 5/8X6 SS	
10	1	8	100009369	ANGLE EMBEDDED SS 3 X 3 X 1/4 X 6	

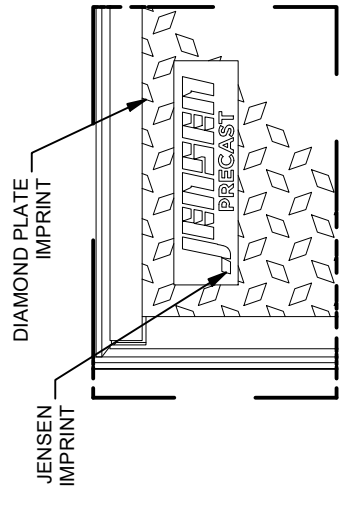


ISO VIEW

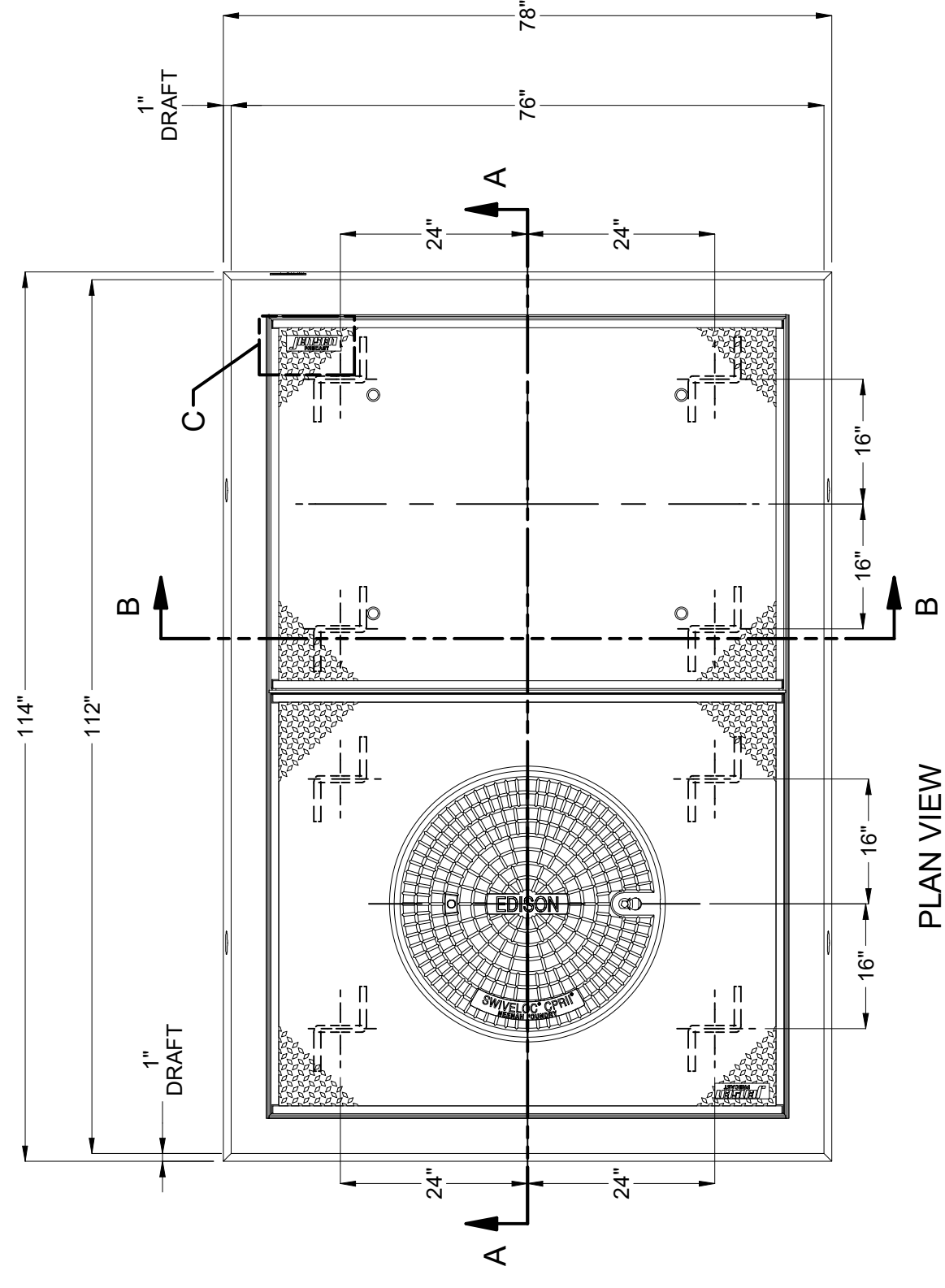
DESIGN NOTES

- DESIGNED IN ACCORDANCE WITH AASHTO HS-20-44 TRAFFIC BRIDGE LOADING USING 5,500 PSI COMPRESSIVE STRENGTH CONCRETE AND 60,000 PSI YIELD STRENGTH ASTM A-706 STEEL REINFORCEMENT PER CALCS. #34267.
- MINIMUM EXCAVATION SIZE: 7'-6" X 10'-6" X DEPTH REQ'D.
- COVER DESIGN FOR TRAFFIC LOADING.
- ALL PARTS TO BE STENCILED: MFG DATE / JOB NUMBER / PRODUCT ID / WEIGHT.
- FOR COMPLETE DESIGN AND PRODUCT INFORMATION CONTACT JENSEN PRECAST.
- EXTENSIONS ARE AVAILABLE IN THE FOLLOWING SIZES:
 - A) VN58-R6 (100012886), WT. 1,125 lbs.
 - B) VN58-R12 (100012407), WT. 2,250 lbs.

BURY DEPTH:	0.0' - 0.0' to Top of Section
WATER LEVEL:	3.0'
DESIGN SPEC:	ASTM C857
AGENCY:	EDISON
WEIGHT:	7238.37 Lbs
LOADING SPEC:	A-16 (AASHTO HS20-44)
AGENCY SPEC:	UGS FC-670.7



DETAIL C



PLAN VIEW

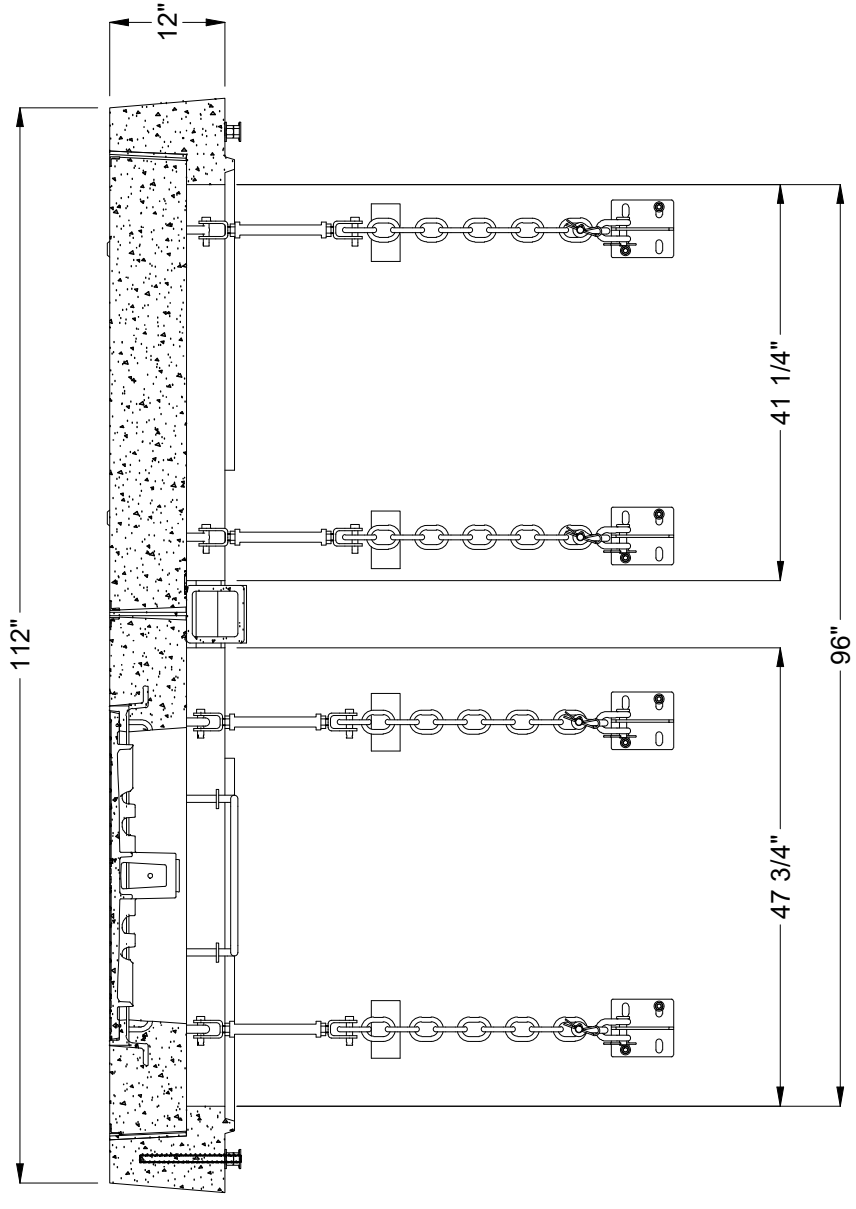
REVISION HISTORY

REV	DESCRIPTION	DATE	APPROVED
A	INITIAL RELEASE	7/1/2019	

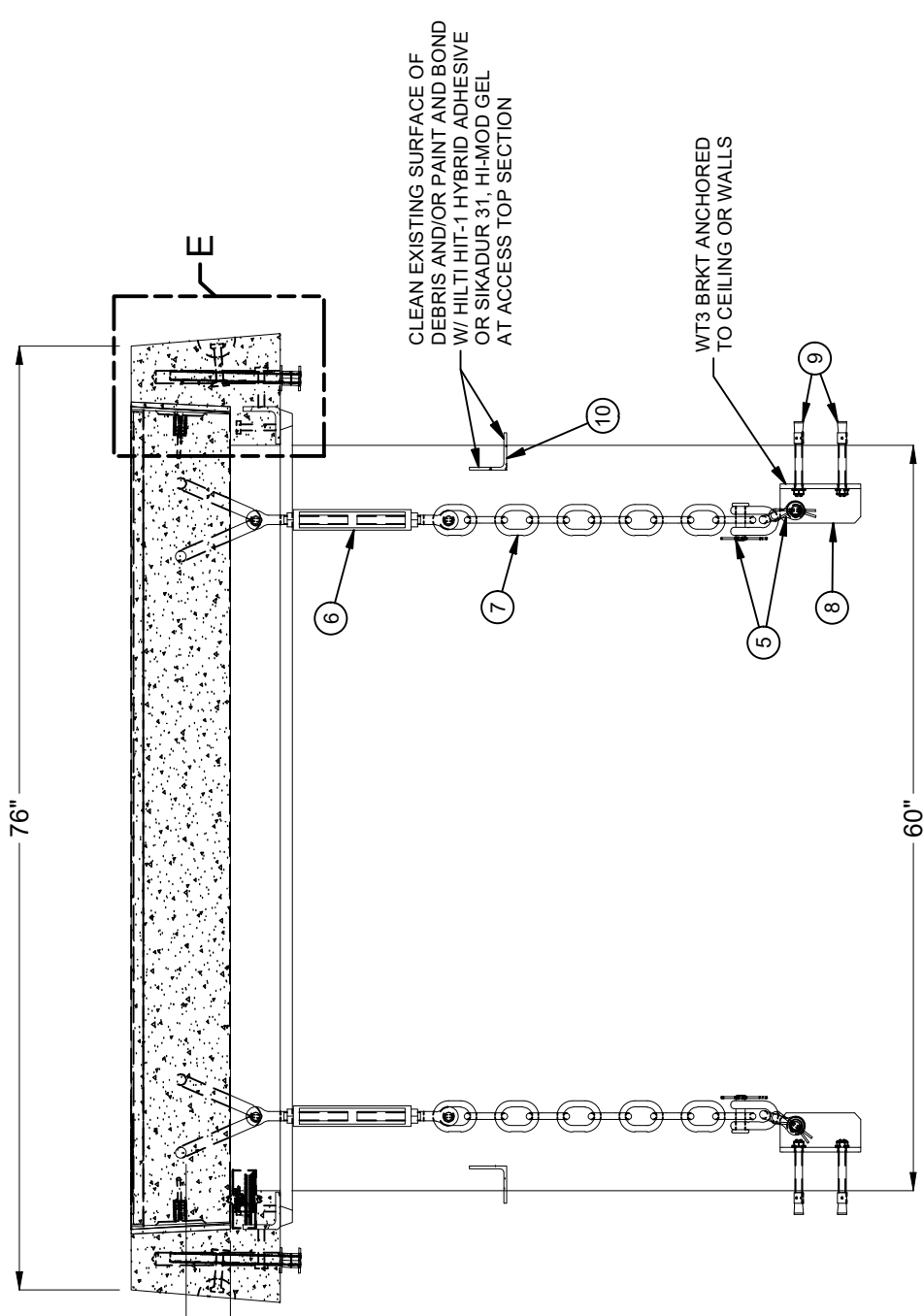
DESCRIPTION:	KIT 5'X8'X12" VN EDISON W/ SWIVELOC TYPE 7
PART NUMBER:	100015336
CREATED:	7/1/2019
DRAWN BY:	E. Carrillo
MODIFIED:	6/25/2021
REV:	A
SHEET:	75
	1 OF 2

©2018 Jensen Precast. All rights reserved. All materials appearing as Jensen Precast documents and the like are proprietary work product and are protected under U.S. copyright and other laws. Unless in conjunction with business conducted with Jensen Precast, any use of Jensen Precast work product without express, written consent is prohibited, and recipient is prohibited from distributing any and all work product to non-approved third parties under penalty of civil action.

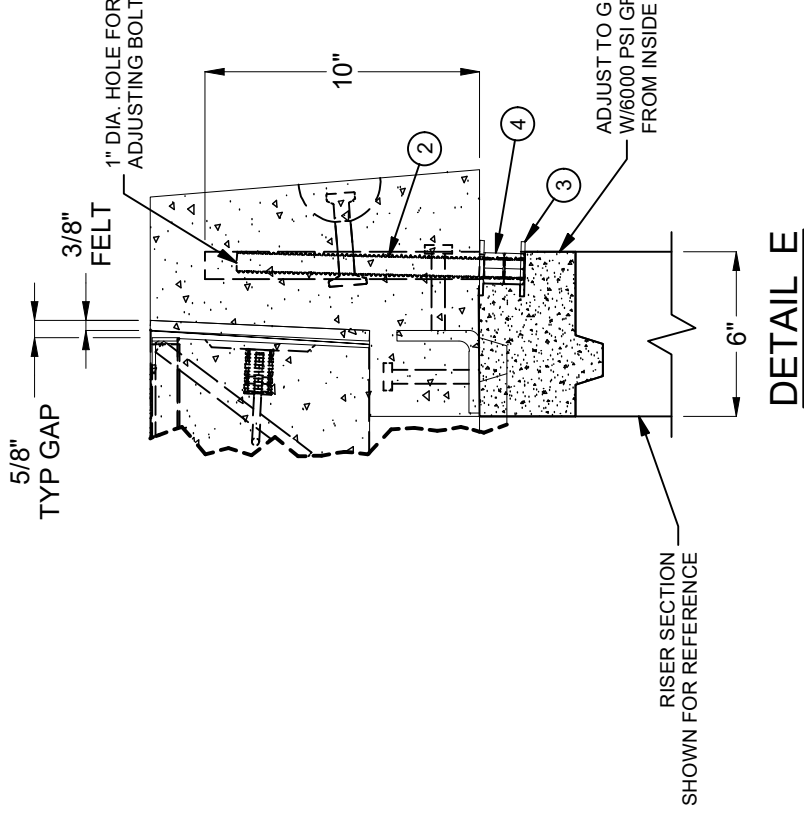
MPI:93E5T0001



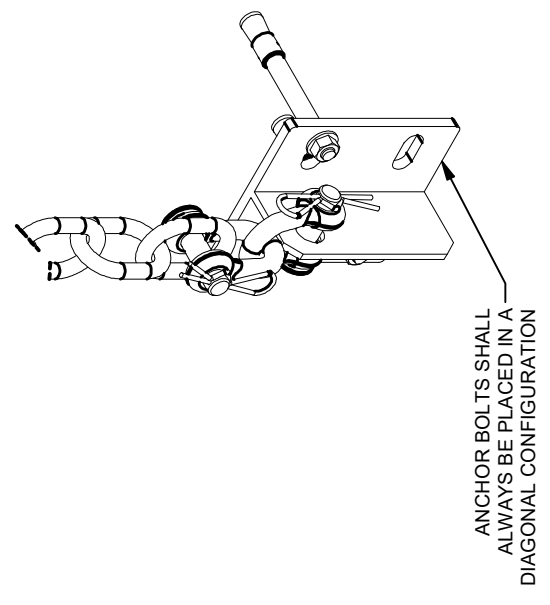
SECTION A-A



SECTION B-B



DETAIL E



DETAIL D

BURY DEPTH:	0.0' - 0.0' to Top of Section
WATER LEVEL:	3.0'
DESIGN SPEC:	ASTM C857
AGENCY:	EDISON
WEIGHT:	7238.37 Lbs
LOADING SPEC:	A-16 (AASHTO HS20-44)
AGENCY SPEC:	UGS FC-670.7

JENSEN PRECAST EST. 1968
WWW.JENSENPRECAST.COM

©2018 Jensen Precast-All rights reserved. All materials appearing as Jensen Precast documents and the like are proprietary work product and are protected under U.S. copyright and other laws. Unless in conjunction with business conducted with Jensen Precast, any use of Jensen Precast work product without express, written consent is prohibited, and recipient is prohibited from distributing any and all work product to non-approved third parties under penalty of civil action.

DESCRIPTION:	KIT 5'X8'X12" VN EDISON W/ SWIVELOC TYPE 7
PART NUMBER:	100015336
CREATED:	7/1/2019
LAYOUT REVIEW	E. Carrillo
DRAWN BY:	E. Carrillo
MODIFIED:	6/25/2021