

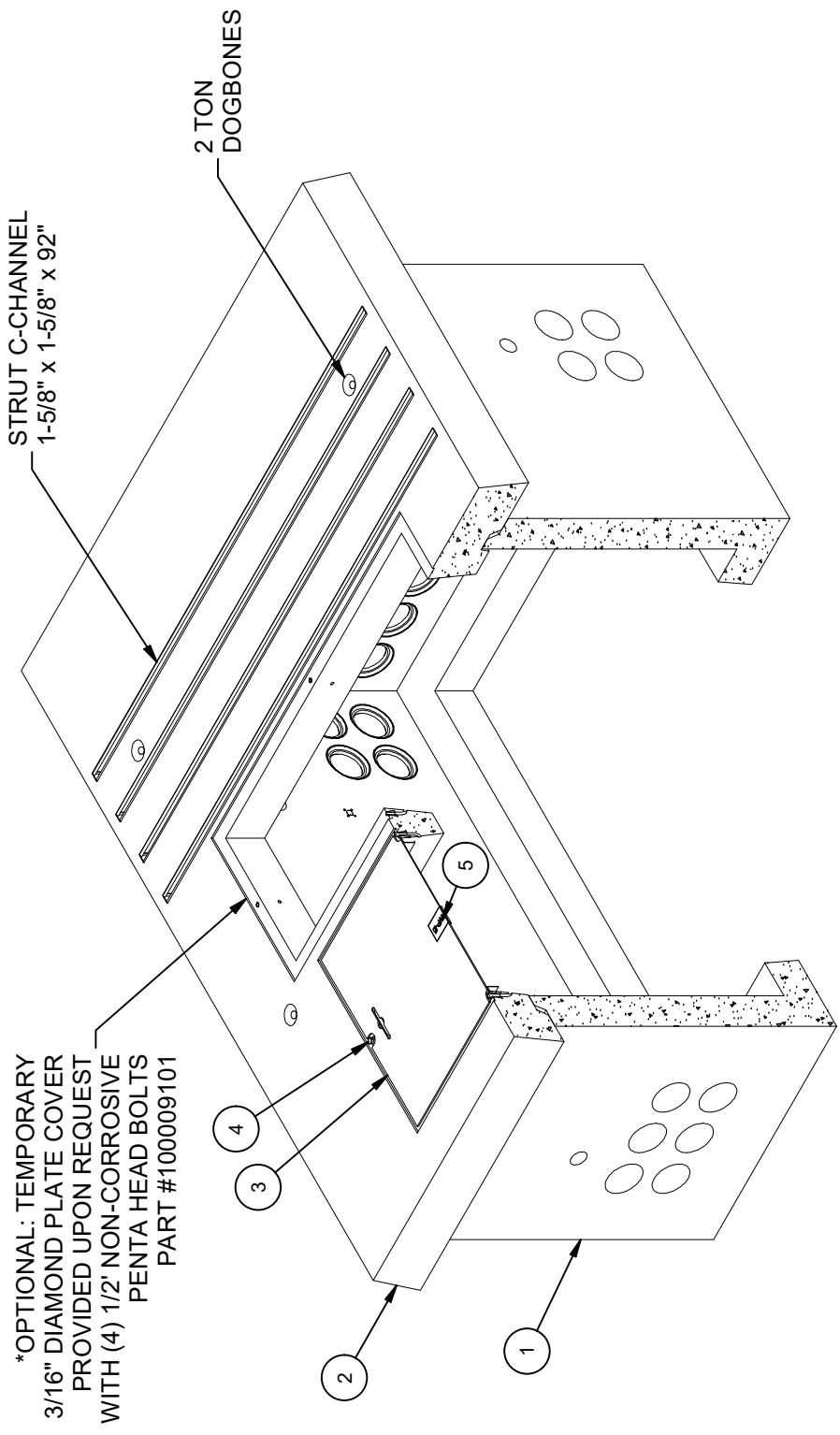
DESIGN NOTES

- CONCRETE DESIGNED IN ACCORDANCE WITH L.A.D.W.P. SPEC. P178-R8, ACI 318, AND ASTM C857, USING 5,500 PSI COMPRESSIVE STRENGTH CONCRETE AT 28 DAYS AND 60,000 PSI YIELD STRENGTH ASTM A-706 STEEL REINFORCEMENT PER CALC. #33889. COVER STRUCTURAL CALC. #30448.
- TRANSFORMER PAD DESIGNED FOR 100 PSF LIVE LOAD AND 1600 PSF DEAD LOAD.
- COVER IS DESIGN FOR PARKWAY LOADING PER CALC. #32215.
- CONCRETE MIX USED IN POURING THIS PRODUCT SHALL USE FLY ASH AND DCI AS AN ADMIXTURE.
- INSTALLATION. VAULT TO BE PLACED ON A MIN. 6" COMPACTED CRUSHED ROCK 1", GRADE A or CONCRETE AGGREGATE #3, GRADE B (SSPWC, SUBSECTIONS 200-1.2 & 200-1.4), INSTALLATION AND EVEN LOAD DISTRIBUTION.
- CONCRETE MIX USED IN POURING THIS PRODUCT SHALL USE FLY ASH AND DCI AS AN ADMIXTURE.
- EACH CONCRETE SECTION SHALL BE STENCILED ON THE INSIDE & OUTSIDE WITH "JENSEN PRECAST", THE DESIGNATION "DWI/FA-CN" or "DWP/F-CN-SC" IF SCC MIX USED, AND THE DATE OF POUR.
- EACH CONCRETE SECTION SHALL HAVE CAST-IN ON THE INSIDE "JENSEN", THE YEAR, AND THE DESIGNATION "FA-CN" or "F-CN-SC" IF SCC MIX USED.
- MINIMUM EXCAVATION SIZE: 9'-2" X 11'-2" X DEPTH REQ'D.
- FOR COMPLETE DESIGN AND PRODUCT INFORMATION CONTACT JENSEN PRECAST.

BILL OF MATERIALS

ITEM	UNIT QTY	QTY	PART NUMBER	DESCRIPTION	MASS (lb)
1	1	1	100012303	Vault 7296x42 Rect. Bottom Section Terminators LADWP UB721-07 R17	9656
2	1	1	100020732	Pad 96120x8 30"x48"E LADWP UB721-07 G2 R17	5851
3	1	1	100006640	DAS1-SD-3048-DX-DP-G-FONT-PAGV (SC3048 PAGV)	124
4	1	4	100007122	BOLT PENTA 1/2-13 UNC 0.875 HEAD 1.5L 304SS	
5	1	1	100006748	NAME PLATE SS - LADWP-E	
6	1	1	100007650	NAME PLATE HARDWARE KIT	
7	1.000 ul	1.000 ul	100005749	SEALANT JOINT BUTYL RUBBER ASTM C-990 AND M198 CS-102 1IN EQUIV X14.5FT PER BOX 118FT	

EXTENSIONS ARE AVAILABLE IN THE FOLLOWING SIZES:
 A. 200071145 (UV68-R12-12), 12" EXTENSION SECTION WT. 2219 lbs.



ISO VIEW

LIFTING NOTES

- FIELD INSTALLATION: PLANT DEMOLING: MINIMUM HANDLING CONCRETE STRENGTH F'c = 5500 PSI RIGGING EQUALIZER REQUIRED TO EQUALIZE LOAD TO 4 LIFTING POINTS WITH A SLING ANGLE BETWEEN 60° AND 90°
- BURY DEPTH: -0.7' - 0.7' to Top
- WATER LEVEL: Below Structure APPROX. WEIGHT: 15632.31 Lbs
- DESIGN SPEC: ACI 318, ASTM C857 LOADING SPEC: A-16 (AASHTO HS20-44)
- AGENCY: LADWP AGENCY SPEC: UB721-07 G2 R17

REVISION HISTORY

REV	DESCRIPTION	DATE	APPROVED
C-1	REMOVED IDENTICA TAG, REPLACED STURTS & UPDATED PROPERTIES	2/9/2024	

DESCRIPTION: Slab Box Layout 7296x42 Terminators 30"x48"E LADWP UB721-07 G2 R17

LAYOUT REVIEW

DRAWN BY: J. Prado

MODIFIED: 1/28/2019

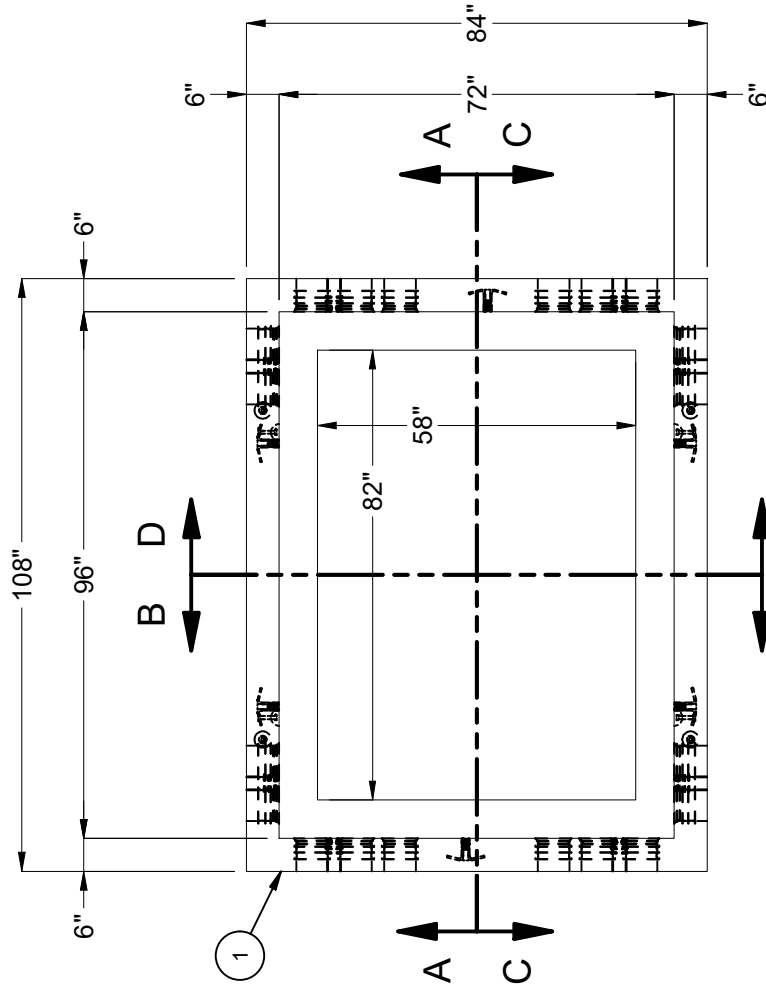
CREATED: 2/9/2024

REV: C-13

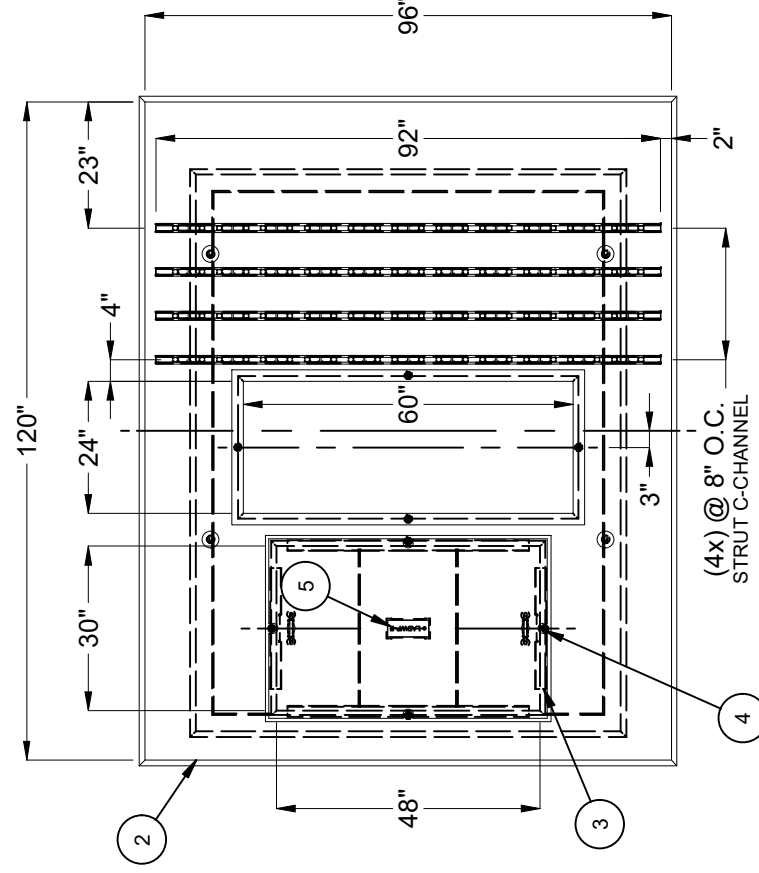
SHEET: 1

1 OF 2

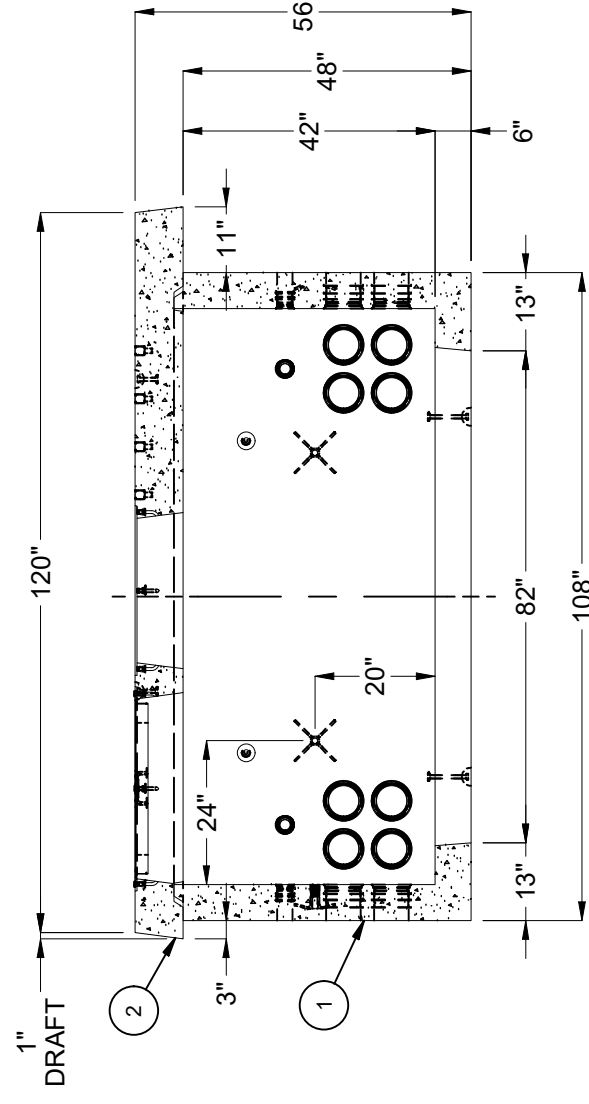
©2024 Jensen Precast-All rights reserved. All materials appearing as Jensen Precast documents and the like are proprietary work product and are protected under U.S. copyright and other laws. Unless in conjunction with business conducted with Jensen Precast, any use of Jensen Precast work product without express, written consent is prohibited, and recipient is prohibited from distributing any and all work product to non-approved third parties under penalty of civil action.



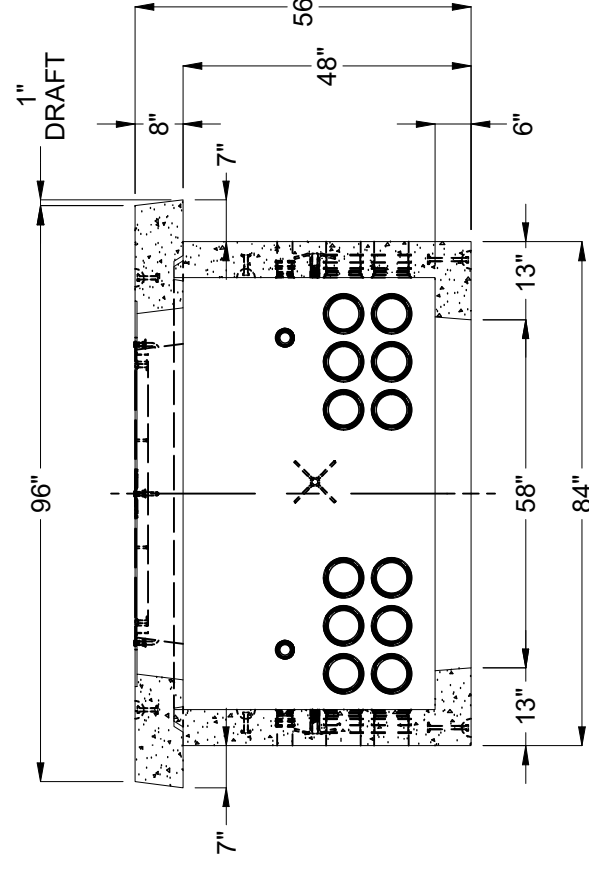
PLAN VIEW
(W/ OUT TRANSFORMER PAD)



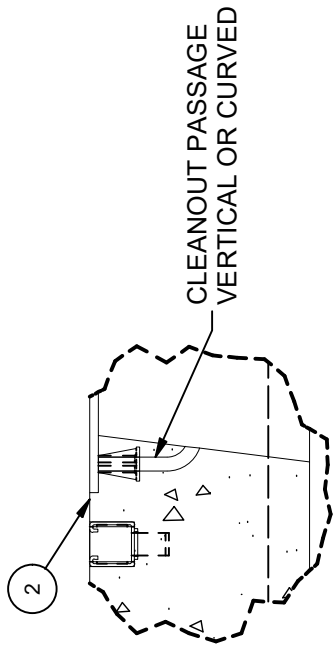
PLAN VIEW
(TRANSFORMER PAD)



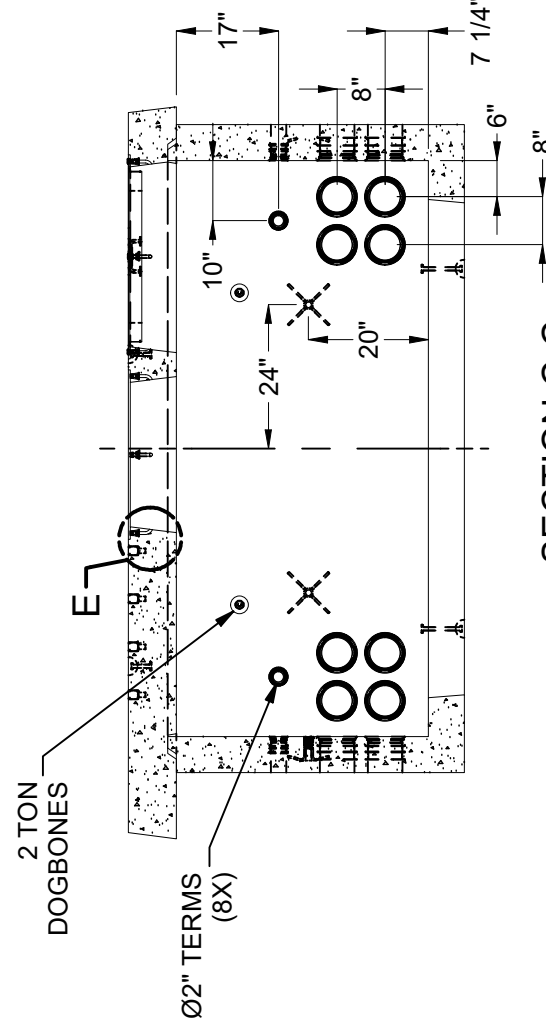
SECTION A-A



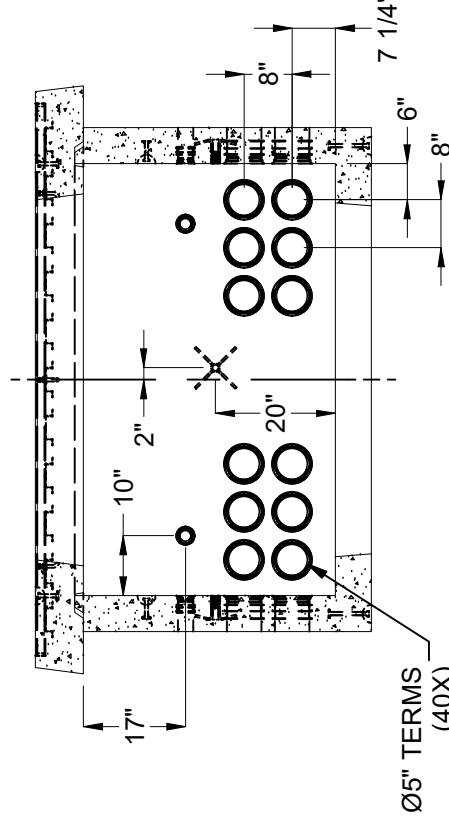
SECTION B-B



DETAIL E
(INSERTS AROUND OPENINGS)



SECTION C-C



SECTION D-D

BURY DEPTH:	-0.7' - 0.7' to Top
WATER LEVEL:	Below Structure
DESIGN SPEC:	ACI 318, ASTM C857
AGENCY:	LADWP
APPROX. WEIGHT:	15632.31 Lbs
LOADING SPEC:	A-16 (AASHTO HS20-44)
AGENCY SPEC:	UB721-07 G2 R17

JENSEN PRECAST EST. 1968
WWW.JENSENPRECAST.COM

©2024 Jensen Precast-All rights reserved. All materials appearing as Jensen Precast documents and the like are proprietary work product and are protected under U.S. copyright and other laws. Unless in conjunction with business conducted with Jensen Precast, any use of Jensen Precast work product without express, written consent is prohibited, and recipient is prohibited from distributing any and all work product to non-approved third parties under penalty of civil action.

DESCRIPTION:	Slab Box Layout 7296x42 Terminators 30"x48"E LADWP UB721-07 G2 R17
LAYOUT DRAWING	
PART NUMBER:	100020730
DRAWN BY:	J. Prado
CREATED:	1/28/2019
MODIFIED:	2/9/2024