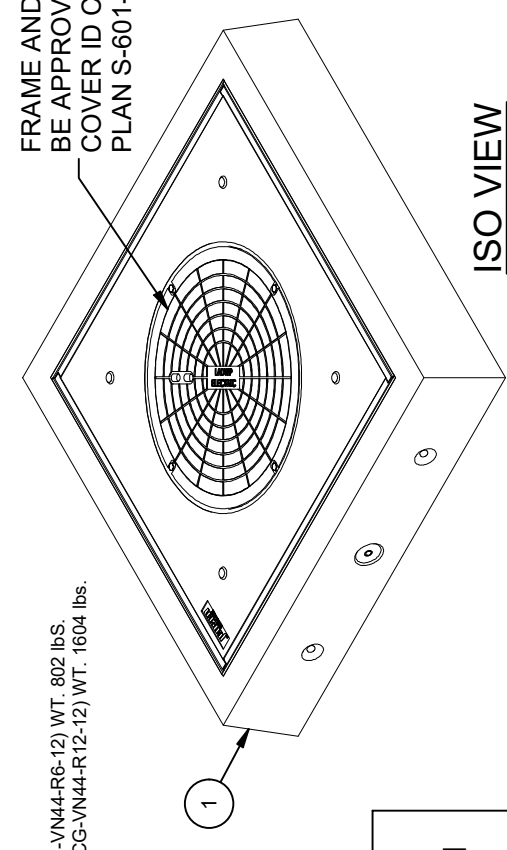


# BILL OF MATERIALS

ITEM	QTY	PART NUMBER	DESCRIPTION	MASS (lb)
1	1	200016649	Vault Neck and Plug Cover Assembly 4848x12 30°C LADWP 1-802 G-1B COLA INSP R-1581 PI	3398
2	4	100009239	ROD THREADED COIL YELLOW DIP 3/4 X 10-1/2	
3	8	100007010	HEX COIL NUT 3/4-4.5 POST YELLOW DIP	
4	8	100007136	WASHER FLAT 3/4 REGULAR TYPE A ZINC	

### EXTENSIONS ARE AVAILABLE IN THE FOLLOWING SIZES:

- A. 100012396 (VN44-R6-12COLA), 6" EXTENSION SECTION (CG-VN44-R6-12) WT. 802 lbs.
- B. 100012392 (VN44-R12-12COLA), 12" EXTENSION SECTION (CG-VN44-R12-12) WT. 1604 lbs.



**STOCKPILE - JENSEN PRECAST  
CITY OF LOS ANGELES INSPECTION  
REQUIRED WO# C0034604**

### NOTES:

- STANDARDS. AASHTO LRFD BRIDGE DESIGN SPECIFICATIONS, 8TH EDITION, WITH 2022 CALTRANS AMENDMENTS, CITY OF LOS ANGELES BUREAU OF ENGINEERING STANDARD PLAN S-601-3, P178-R8 WHERE APPLICABLE, MANUAL PART H, ASTM C-857. STRUCTURAL CALCCS. #33389, 33389B. RESTRAINT SYSTEM PER LADWP SPEC 1-802.2.
- MATERIAL. CONCRETE, F'c=5,500 PSI. MIX TO INCLUDE FLY ASH AND DGI. REINFORCEMENT PER ASTM A-706, Fy=60,000.
- LOADS. VERTICAL LIVE LOAD: AASHTO HL-93, INCLUDING GREATER OF HS-20 TRUCK, TANDEM, OR PERMIT. LIVE LOAD SURCHARGE PER LA BOE PART H, FIGURE H 374.2A. SOIL LATERAL LOADS: 40 PCF (DRY), 81 PCF (SATURATED). SEE VAULT OR MANHOLE DRAWING FOR SOIL BEARING CAPACITY INFORMATION. DESIGN SOIL DENSITY IS 120 PCF.
- LOADS NOT INCLUDED. DESIGN DOES NOT INCLUDE COOPER E-80 RAILROAD LOADS OR LATERAL OR SURCHARGE LOADS THAT ARE PRODUCED BY FOOTING OR FOUNDATIONS ADJACENT TO THE STRUCTURE. THIS SUBSTRUCTURE SHALL BE KEPT AT LEAST IN A 1:1 RATIO AWAY FROM ALL FOOTINGS AND FOUNDATIONS, UNLESS THE ENGINEER OF RECORD APPROVES IN WRITING.
- INSTALLATION LIMITS OF CONCRETE EXTENSIONS IS 5'-0" DEEP.
- EACH CONCRETE SECTION SHALL BE MARKED ON THE INSIDE & OUTSIDE WITH "JENSEN PRECAST", THE DESIGNATION "DWI/FA-CN" AND THE DATE OF THE POUR.
- "JENSEN", THE YEAR, AND THE DESIGNATION "FA-CN" SHALL BE CAST IN THE TOP OF THE NECK, THE SIDE OF THE COVER, AND ON THE INSIDE OF THE EXTENSIONS.
- EACH PIECE TO BE STENCILLED WITH ITS PART NO.
- BROOM FINISH ON COVER MUST HAVE AND MAINTAIN A MINIMUM OF 0.6 SLIP RESISTANCE AND/OR 0.35 SKID RESISTANCE PER S-601-3.
- EXTENSIONS MAY BE REUSED IF UNDAMAGED.
- ADDITIONAL SUBMITTAL, PERMIT AND CONSTRUCTION PLAN REVIEW WILL BE REQUIRED FOR EACH PROJECT LOCATION. SUBMIT TO CITY ENGINEER FOR APPROVAL PRIOR TO START OF ANY CONSTRUCTION.
- ALL INSTALLATIONS SHALL COMPLY WITH ALL OTHER LOCAL GOVERNING CODES AND REGULATIONS INCLUDING CALIFORNIA PUBLIC UTILITIES COMMISSION REGULATIONS.
- INSTALLATION OF NECK AND EXTENSIONS PER LADWP 1-802.

BURY DEPTH: 0.0' - 0.0' to Top

WATER LEVEL: 3.0'

DESIGN SPEC: AASHTO LRFD

AGENCY: LADWP

APPROX. WEIGHT: 3403.85 Lbs

LOADING SPEC: AASHTO HL-93

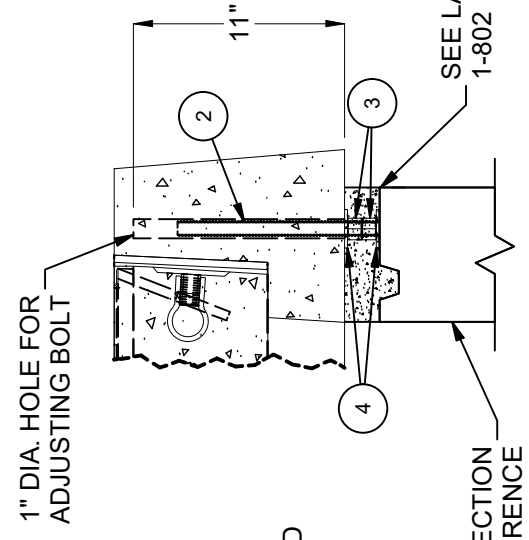
AGENCY SPEC: 1-802 G-1B COLA INSP R-1581 PI

0.0' - 0.0' to Top

APPROX. WEIGHT: 3403.85 Lbs

LOADING SPEC: AASHTO HL-93

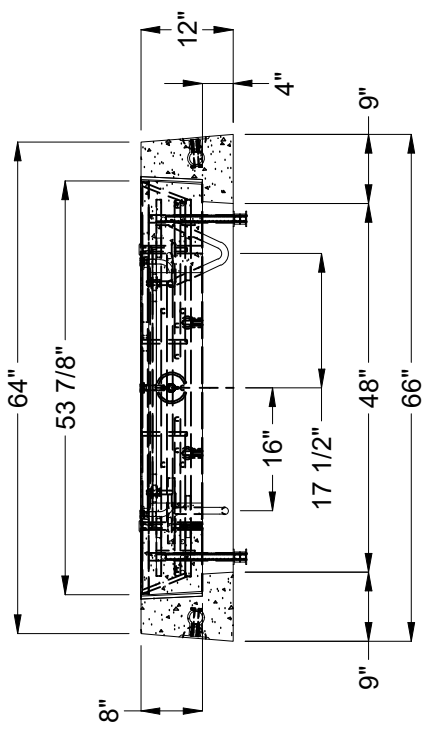
AGENCY SPEC: 1-802 G-1B COLA INSP R-1581 PI



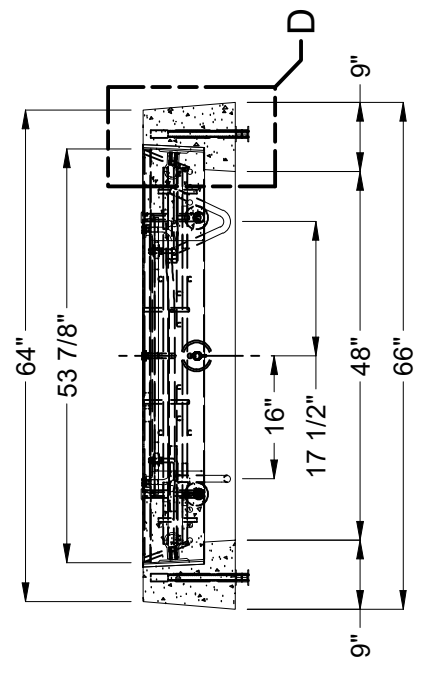
**DETAIL D**  
IF NEEDED TO ADJUST TO FINISH GRADE

RISER SECTION SHOWN FOR REFERENCE

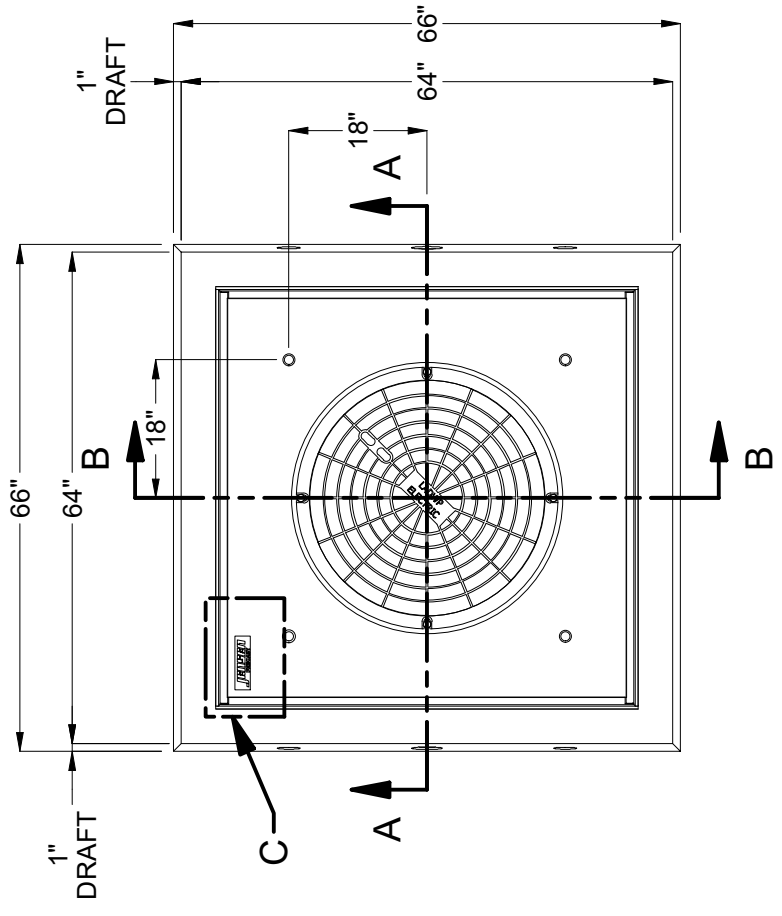
FRAME AND COVER MUST BE APPROVED BY LA BOE. COVER ID CONFORM TO STANDARD PLAN S-601-3 3-3.1.1(e)(2)



**SECTION A-A**



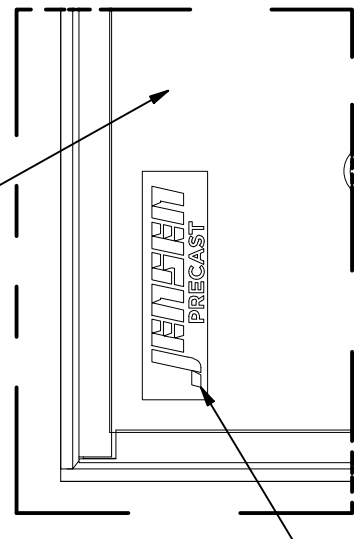
**SECTION B-B**



**PLAN VIEW**

CONCRETE TOP SURFACE TO HAVE BROOM FINISH

JENSEN IMPRINT



**DETAIL C**

REV	DESCRIPTION	DATE	APPROVED
E-1	UPDATED DIMENSIONS	8/23/2023	

DESCRIPTION:	Vault Neck and Plug Cover Layout 4848x12 30°C LADWP 1-802 G-1B COLA INSP R-1581 PI
PART NUMBER:	200013448
CREATED:	10/26/2018
LAYOUT REVIEW:	J. Prado
MODIFIED:	8/23/2023

©2023 Jensen Precast. All rights reserved. All materials appearing as Jensen Precast documents and the like are proprietary work product and are protected under U.S. copyright and other laws. Unless in conjunction with business conducted with Jensen Precast, any use of Jensen Precast work product without express, written consent is prohibited, and recipient is prohibited from distributing any and all work product to non-approved third parties under penalty of civil action.

**JENSEN PRECAST** EST. 1968  
WWW.JENSENPRECAST.COM

WATER LEVEL:	3.0'	APPROX. WEIGHT:	3403.85 Lbs
DESIGN SPEC:	AASHTO LRFD	LOADING SPEC:	AASHTO HL-93
AGENCY:	LADWP	AGENCY SPEC:	1-802 G-1B COLA INSP R-1581 PI