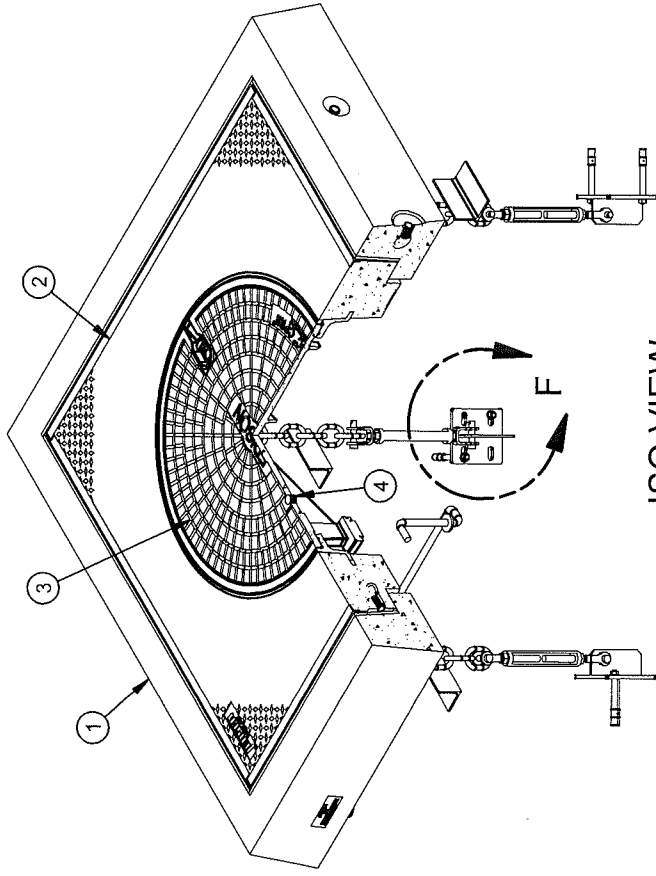


BILL OF MATERIALS

ITEM	UNIT QTY	QTY	PART NUMBER	DESCRIPTION
1	1	1	200013599	Utility Vault 48x48x9 Rect. Riser
2	1	1	200013637	Vault 48x8 X 8 Slab, Top 30Concentric
3	1	1	100009389	CI CVR 30DIA NEENAH SWIVELOC ASTM A49 CL35B LH SO CAL EDISON
4	1	1	100008122	PLUG PICKHOLE NEOPRENE RUBBER CI COVER ED/LA
5	1	4	100009239	ROD THREADED COIL YELLOW DIP 3/4 X 10-1/2"
6	1	8	100007136	WASHER FLAT 3/4 REGULAR TYPE A ZINC
7	1	8	100007010	HEX COIL NUT 3/4-4.5 POST YELLOW DIP
8	1	4	100009367	SHACKLE 5/8IN W/3/4 COTTER PIN GALV
9	1	4	100009368	TURNBUCKLE CLEVIS-TO-CLEVIS 3/4 THREADED GALV
10	1	4	100009369	ANGLE EMBEDDED SS 3 X 3 X 1/4 X 6
11	1	4	100009995	PLATE WT3X-10-6.5 GALV EDISON
12	1	4	100013515	CHAIN 1/2 7-1/2FT GR-30 (FIELD CUT)
13	1	8	100009991	ANCHOR KWIKBOLT TZ EXPANSION 5/8X6 SS



ISO VIEW

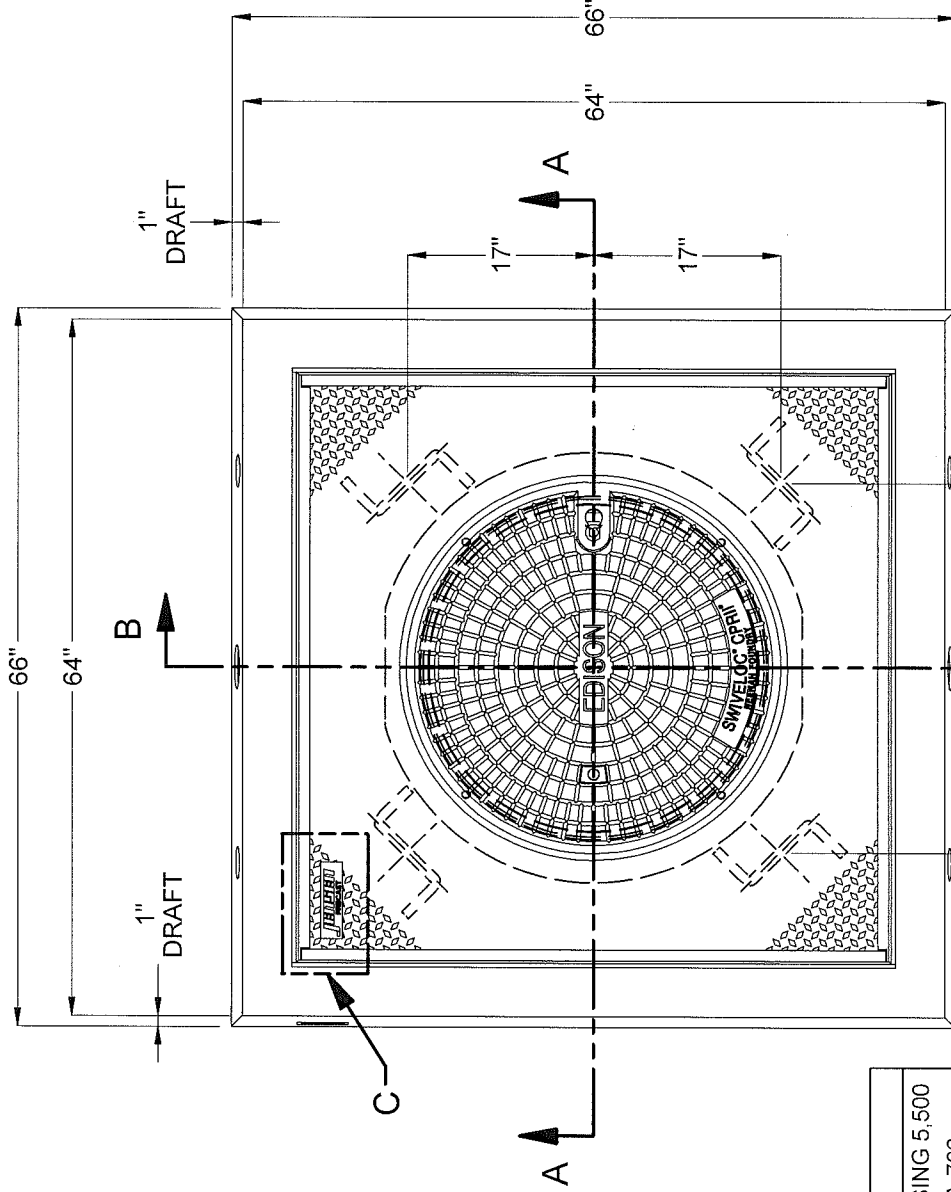
DESIGN NOTES

- DESIGNED IN ACCORDANCE WITH AASHTO H-20-44 TRAFFIC BRIDGE LOADING USING 5,500 PSI COMPRESSIVE STRENGTH CONCRETE AND 60,000 PSI YIELD STRENGTH ASTM A-706 STEEL REINFORCEMENT PER CALCS. #34327
- MINIMUM EXCAVATION SIZE: 6'-6" X 6'-6" X DEPTH REQ'D.
- FOR COMPLETE DESIGN AND PRODUCT INFORMATION CONTACT JENSEN PRECAST.
- COVER DESIGN FOR TRAFFIC LOADING.
- ALL PARTS TO BE STENCILED: MFG DATE / JOB NUMBER / PRODUCT ID / WEIGHT.

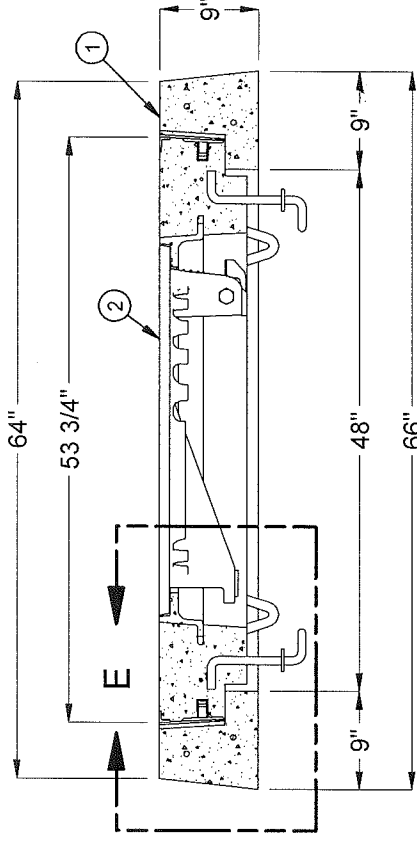
LIFTING NOTES

- THIS CONCRETE PRODUCT IS DESIGNED TO BE LIFTED WITH 4 (FOUR) EQUALLY LOADED RIGGINGS LEGS MIN. 60° SLING ANGLE, MEASURED FROM HORIZONTAL.

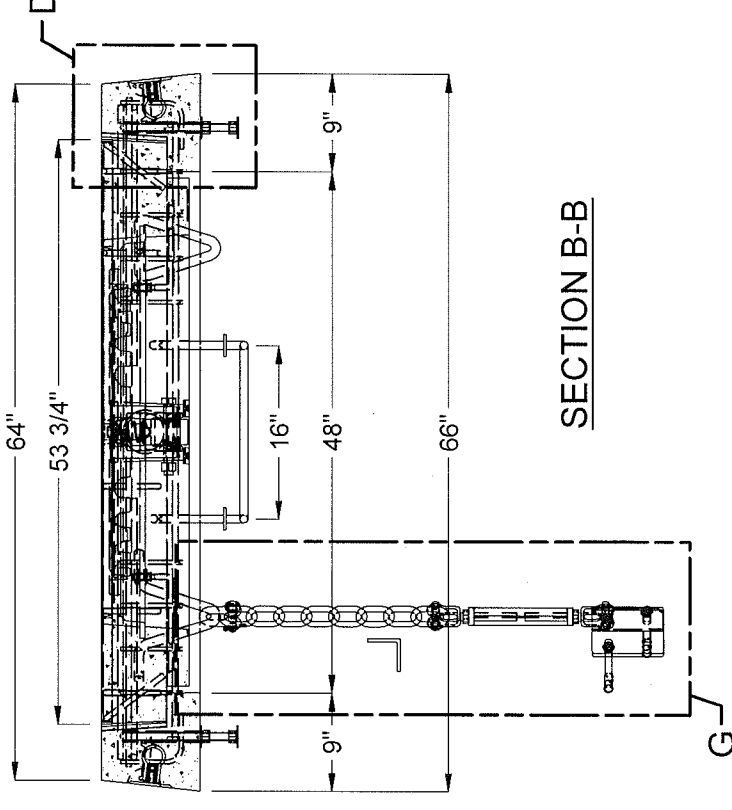
BURY DEPTH:	0.0' - 0.0' to Top of Top Slab		
WATER LEVEL:	3.0'	WEIGHT:	2855.75 Lbs
DESIGN SPEC:	ASTM C857	LOADING SPEC:	A-16 (AASHTO HS20-44)
AGENCY:	EDISON	AGENCY SPEC:	UGS VA470 & FC660



PLAN VIEW



SECTION A-A



SECTION B-B

REVISION HISTORY			
REV	DESCRIPTION	DATE	APPROVED
A	REVISED PULL IRON EMBEDMENT FOR RESTRAINT SYSTEM	6/21/2018	

DESCRIPTION: 4'-0" X 4'-0" X 9" VN EDISON
LAYOUT REVIEW
DRAWN BY: J. Prado
PART NUMBER: 200013648
MODIFIED: 2/11/2019
CREATED: 11/20/2018

©2018, Jensen Precast. All rights reserved. All materials appearing as Jensen Precast documents and the like are proprietary work product and are protected under U.S. copyright and other laws. Unless in conjunction with business conducted with Jensen Precast, any use of Jensen Precast work product without express, written consent is prohibited, and recipient is prohibited from distributing any and all work product to non-approved third parties under penalty of civil action.

JENSEN PRECAST EST. 1968
WWW.JENSENPRECAST.COM