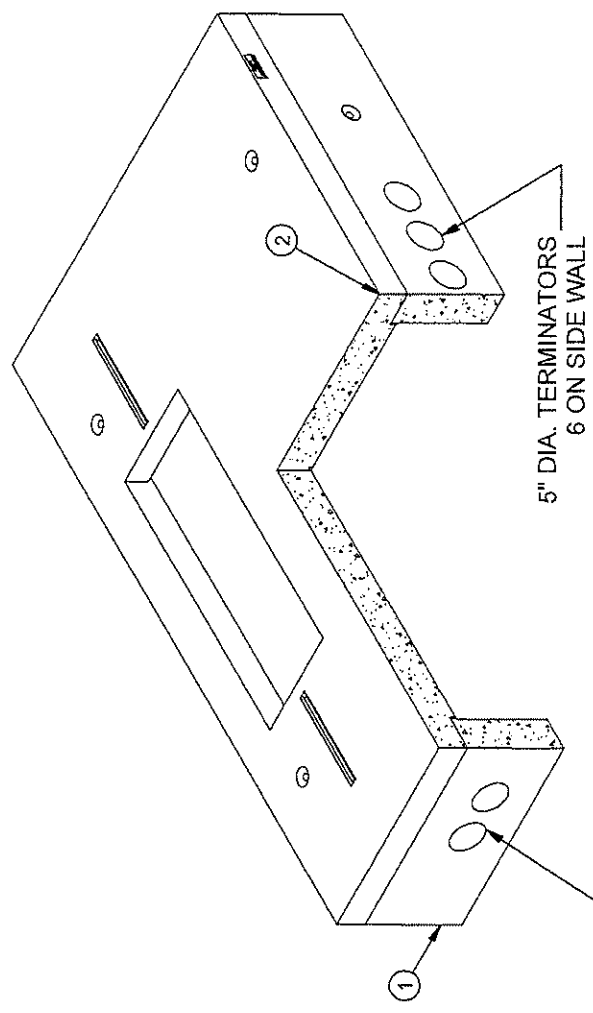


200025468.rdw

**BILL OF MATERIALS**

ITEM	UNIT QTY	QTY	PART NUMBER	DESCRIPTION	MASS (lbs)
1	1	1	200025469	Vault 60102x17 Rect. Bottom Section EDISON SS508	2945
2	1	1	200025470	Pad 72114x6 EDISON SS508	3551

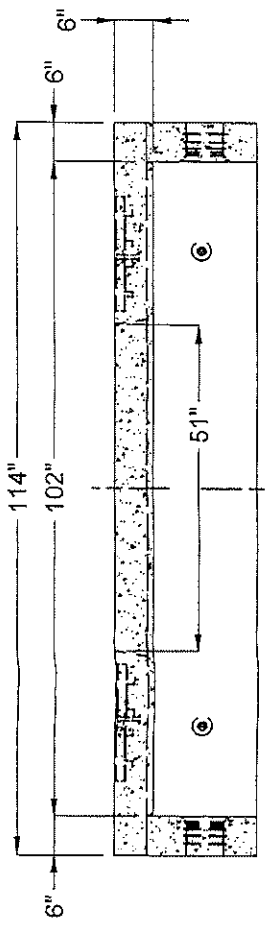
18 x 51



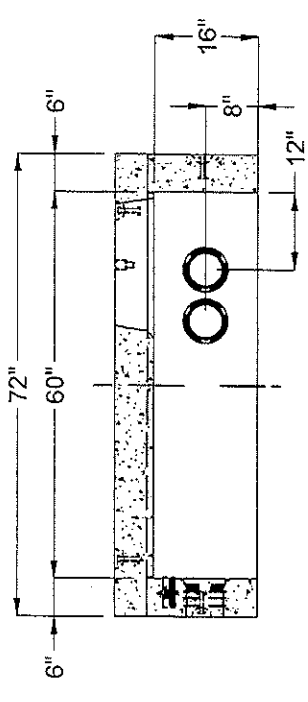
5" DIA. TERMINATORS  
2 EACH END WALL  
4 TOTAL

5" DIA. TERMINATORS  
6 ON SIDE WALL

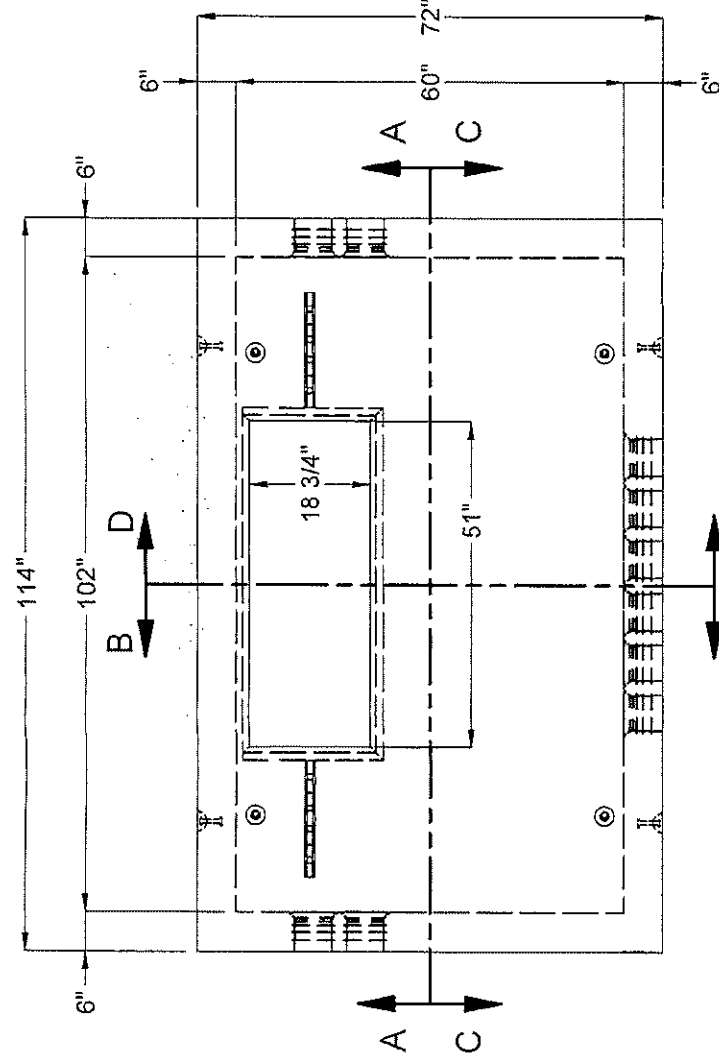
ISO VIEW



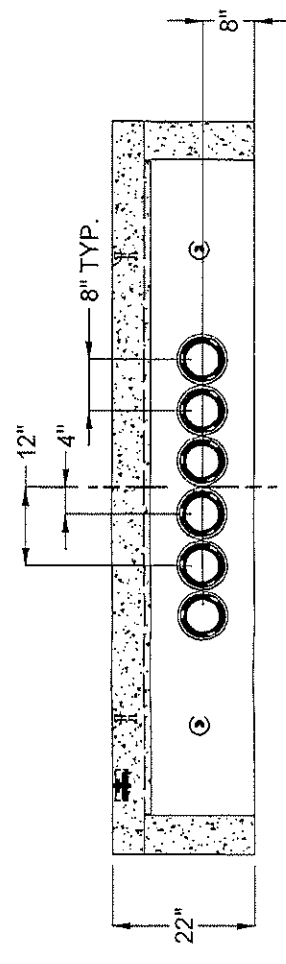
SECTION A-A



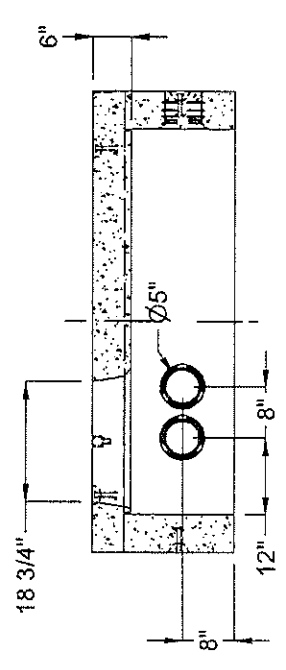
SECTION B-B



PLAN VIEW



SECTION C-C



SECTION D-D

DESIGN NOTES	
■	PAD CONCRETE DESIGNED PER ASTM C857 LOAD DESIGNATION A-0.3 (300 PSF) PARKWAY LOADING USING 5,500 PSI CONCRETE AND ASTM A-706 GR. 60. STEEL REINFORCEMENT PER CALCS. #33579 (BS), TS72114-6T.
■	MINIMUM EXCAVATION SIZE: 7'-8" X 11'-0" X DEPTH REQ'D.
■	FOR COMPLETE DESIGN AND PRODUCT INFORMATION CONTACT JENSEN PRECAST.
■	ALL PARTS TO BE STENCILED: MFG DATE / JOB NUMBER / PRODUCT ID / WEIGHT.
LIFTING NOTES	
■	INSTALLATION: THIS CONCRETE PRODUCT IS DESIGNED TO BE LIFTED AT 5,500 PSI WITH 4 LIFT CONNECTIONS EQUALLY LOADED TO 2 LIFTING POINTS AT A MINIMUM 60° SLING ANGLE, MEASURED FROM HORIZONTAL.
BURY DEPTH:	Above Ground
WATER LEVEL:	Below Structure
DESIGN SPEC:	ASTM C857
AGENCY:	EDISON
WEIGHT:	6496.23 Lbs
LOADING SPEC:	A-03 (300 psf)
AGENCY SPEC:	SS508

**JENSEN PRECAST** EST. 1968  
WWW.JENSENPRECAST.COM

©2018 Jensen Precast. All rights reserved. All materials appearing as Jensen Precast documents and the like are proprietary work product and are protected under U.S. copyright and other laws. Unless in conjunction with business conducted with Jensen Precast, any use of Jensen Precast work product without express, written consent is prohibited, and recipient is prohibited from distributing any and all work product to non-approved third parties under penalty of civil action.

REVISION HISTORY			
REV	DESCRIPTION	DATE	APPROVED
A	INITIAL RELEASE	8/13/2019	

DESCRIPTION:	Utility Vault 72114 Layout Assembly EDISON SS508
PART NUMBER:	200025468
CREATED:	8/13/2019
DRAWN BY:	M. Zaragoza
MODIFIED:	8/16/2019
REV:	A
SHEET:	1 OF 1