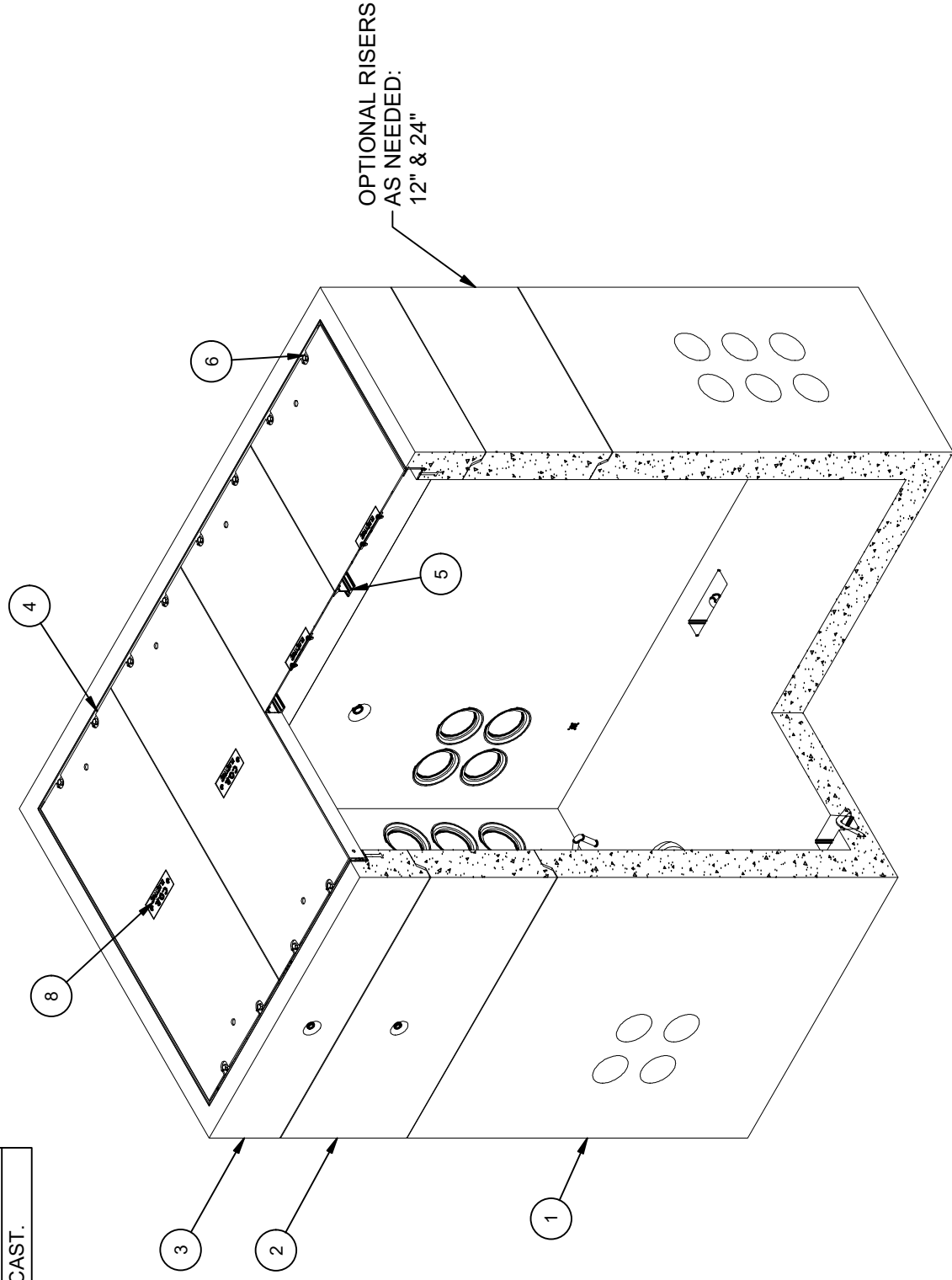


**DESIGN NOTES**

- DESIGNED IN ACCORDANCE WITH AASHTO HS20-44 TRAFFIC BRIDGE LOADING USING 5,500 PSI COMPRESSIVE STRENGTH CONCRETE AND 60,000 PSI YIELD STRENGTH ASTM A-706 STEEL REINFORCEMENT PER CALCS. #34462.
- MINIMUM EXCAVATION SIZE: 7'0" X 10' 6" X DEPTH REQ'D.
- COVER DESIGN FOR 300 PSF PARKWAY LOADING.
- VAULT TO BE PLACED ON A MIN. 6" BASE OF CRUSHER RUN FOR EASE OF INSTALLATION AND EVEN LOAD DISTRIBUTION.
- FINISH COATING: ALL INTERIOR WALLS AND CEILING SHALL BE PAINTED WHITE.
- ALL PARTS TO BE STENCILED: MFG DATE / JOB NUMBER / PRODUCT ID / WEIGHT.
- EXTENSIONS ARE AVAILABLE IN THE FOLLOWING SIZES:  
A) PB586-R12 (100009550) WT. 2,146 lbs.  
B) PB586-R24 (200055860) WT. 4,325 lbs.
- FOR COMPLETE DESIGN AND PRODUCT INFORMATION CONTACT JENSEN PRECAST.

COAT INTERIOR SURFACE WITH WHITE PAINT



**ISO VIEW**

**BILL OF MATERIALS**

ITEM	UNIT QTY	QTY	PART NUMBER	DESCRIPTION	MASS (lb)
1	1	1	200029807	Pull Box 60102x60 Rect. Bottom Section COB 600-56	14385
2	1	1	200055860	Riser 60'102x24 Rect. Riser	4325
3	1	1	200029839	Vault 60'102x8.5 Rect. Top Section 60"x102"C COB 600-55&56	2176
4	1	4	200034883	DAS1-SD-60102-DX-DP-G-FONT-(SC586-PGV)	133
5	1	3	200035157	S3 X 5.7 - 63.5 INCHES (SCB586-150)	
6	1	16	100004453	BOLT PENTA 1/2-13 UNC 0.875 HEAD 2L SS	
7	1	16	100007441	STRUT FITTING SPRING NUT 1/2-13 UNC 1-5/8 CHANNEL REGULAR SPRING ZINC	
8	1	4	100032715	NAME PLATE SS - C.O.B. ELECTRIC	
9	1,000 ul	1,000 ul	100005749	SEALANT JOINT BUTYL RUBBER ASTM C-990 AND M198 CS-102 1IN EQUIV X14.5FT PER BOX 118FT	
10	1,750 gal	1,750 gal	100006420	COATING PAINT LATEX WHITE	

**LIFTING NOTES**

- INSTALLATION: THIS CONCRETE PRODUCT IS DESIGNED TO BE LIFTED AT 5,500 PSI WITH 4 LIFT CONNECTIONS EQUALLY LOADED TO 4 LIFTING POINTS AT A MINIMUM 60° SLING ANGLE, MEASURED FROM HORIZONTAL.
- BURY DEPTH: 0.0' - 0.0' to Top
- WATER LEVEL: 3.0'
- APPROX. WEIGHT: 21510.48 Lbs
- DESIGN SPEC: ASTM C857, ACI 318
- LOADING SPEC: A-16 (AASHTO HS20-44)
- AGENCY: COB
- AGENCY SPEC: 600-55&56 Parkway

**REVISION HISTORY**

REV	DESCRIPTION	DATE	APPROVED
D-2	REMOVED RFI TAGS AND ADDED MISSING NAMEPLATE AND HARDWARE	9/14/2023	

DESCRIPTION:  
Pull Box 60102 Layout Assembly COB 600-55&56 Parkway

LAYOUT REVIEW  
DRAWN BY: R. Ramos  
MODIFIED: 9/25/2019

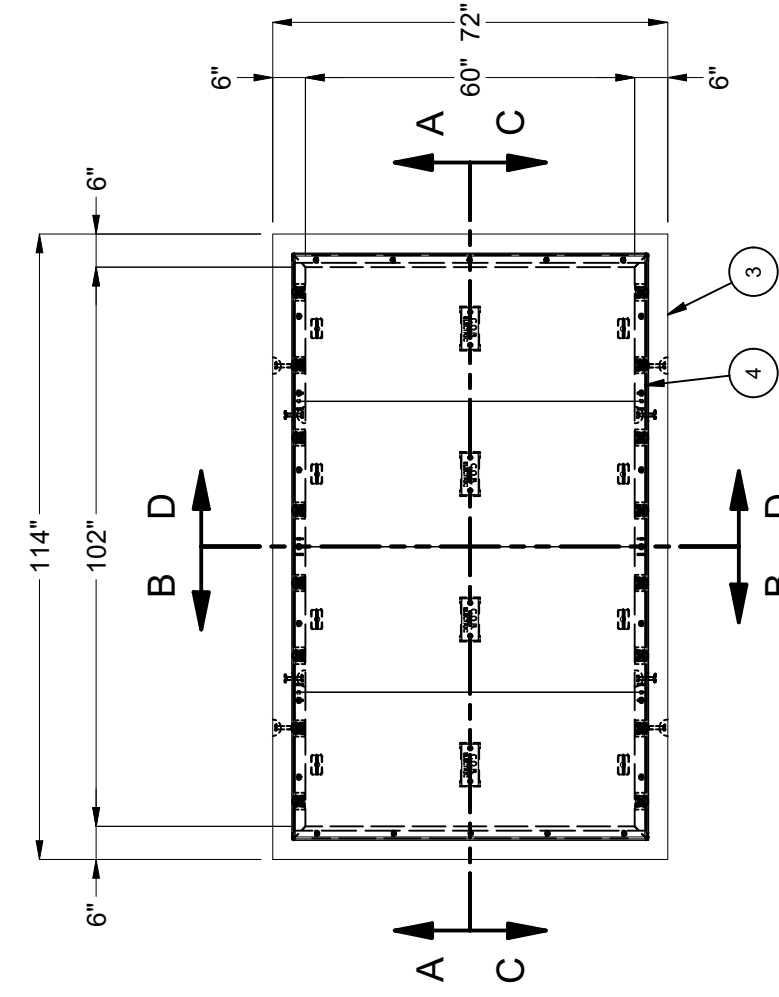
REV: D-2

SHEET: 1 OF 2

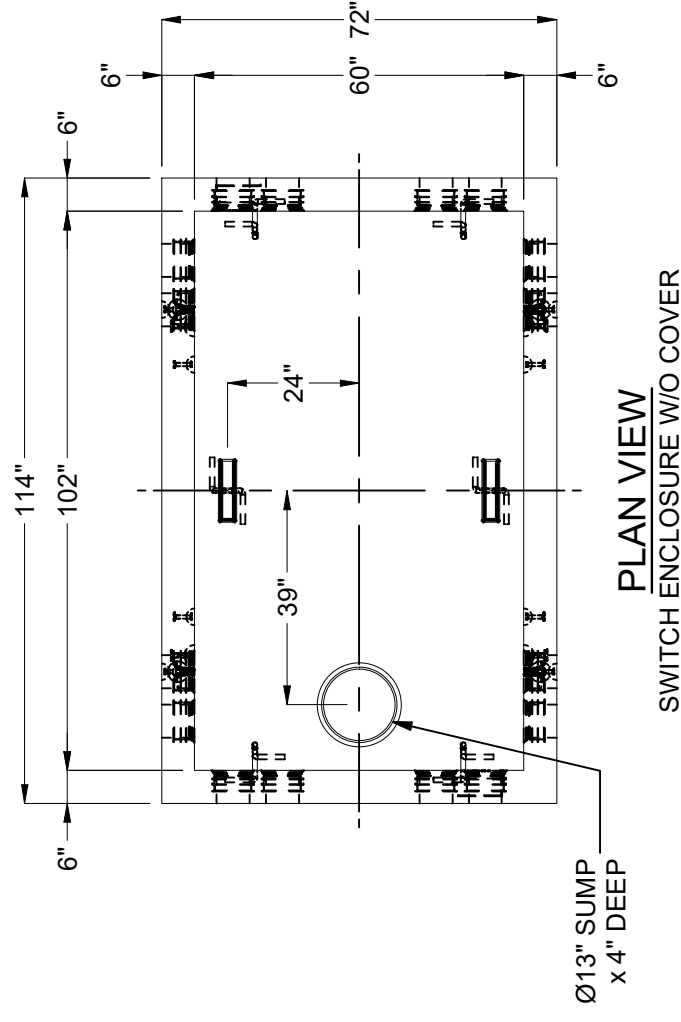
**JENSEN PRECAST** EST. 1968

WWW.JENSENPRECAST.COM

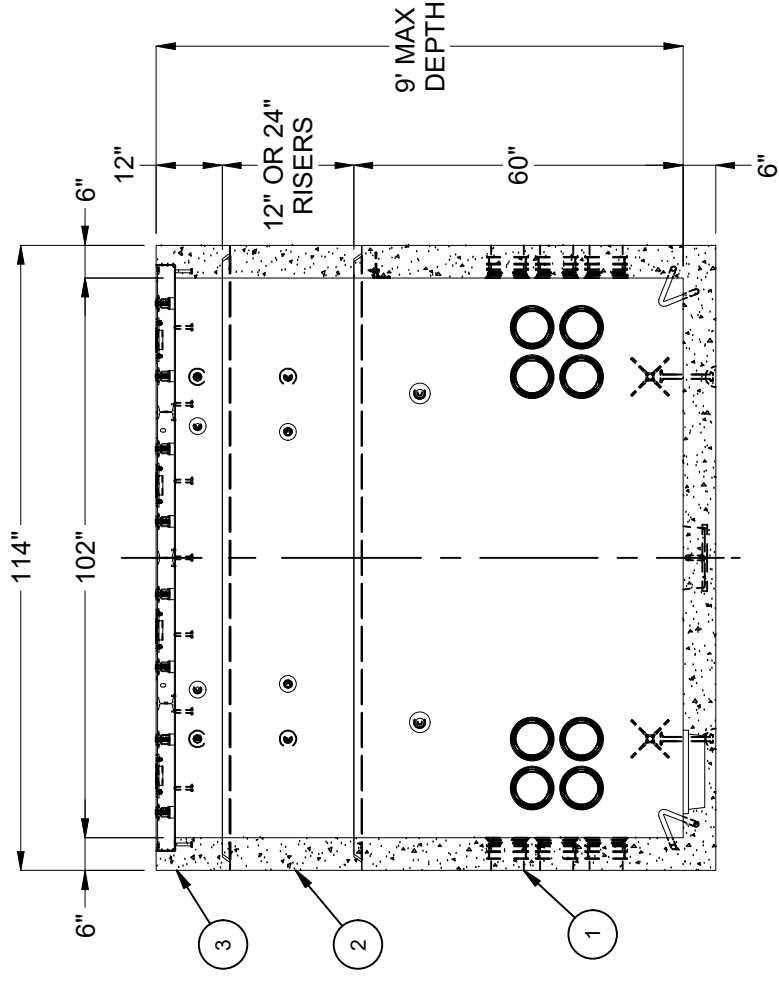
©2023 Jensen Precast. All rights reserved. All materials appearing as Jensen Precast documents and the like are proprietary work product and are protected under U.S. copyright and other laws. Unless in conjunction with business conducted with Jensen Precast, any use of Jensen Precast work product without express, written consent is prohibited, and recipient is prohibited from distributing any and all work product to non-approved third parties under penalty of civil action.



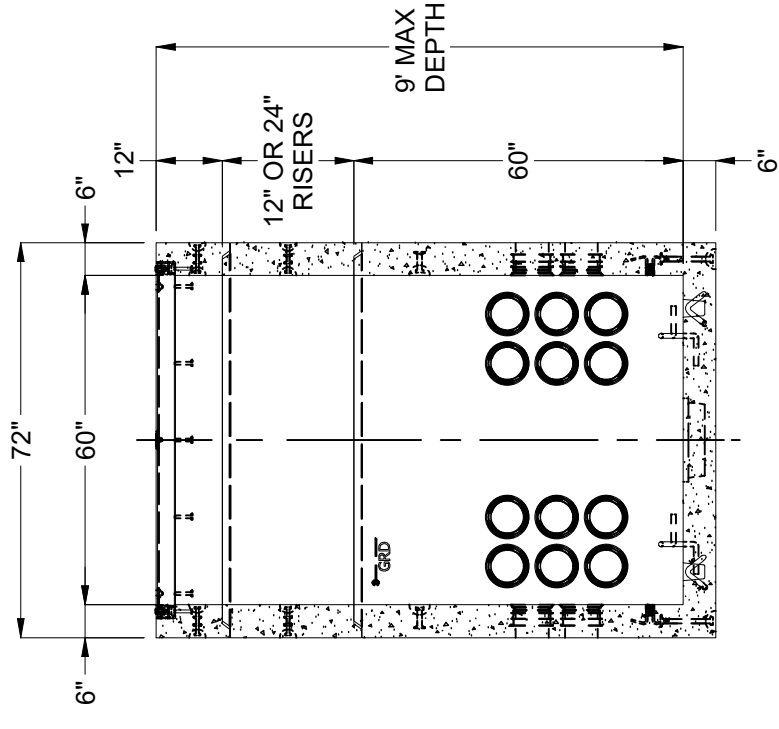
PLAN VIEW  
COVER SHOWN



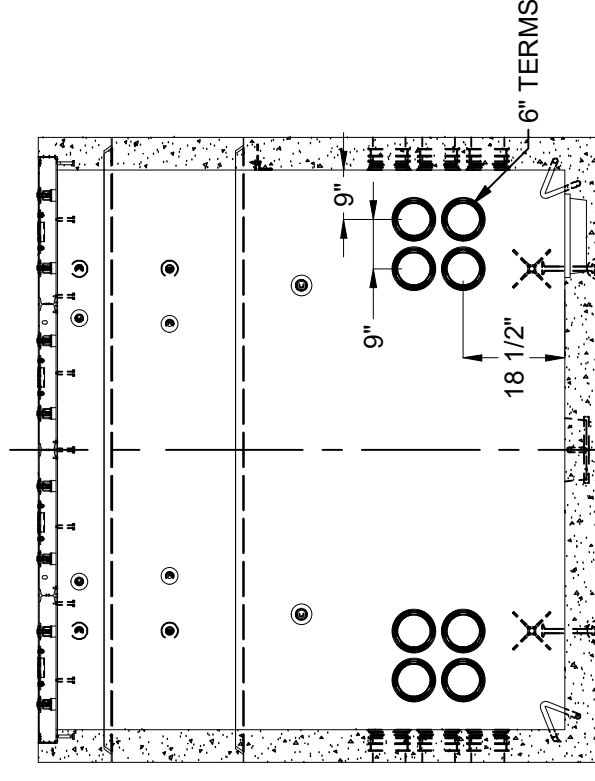
PLAN VIEW  
SWITCH ENCLOSURE W/O COVER



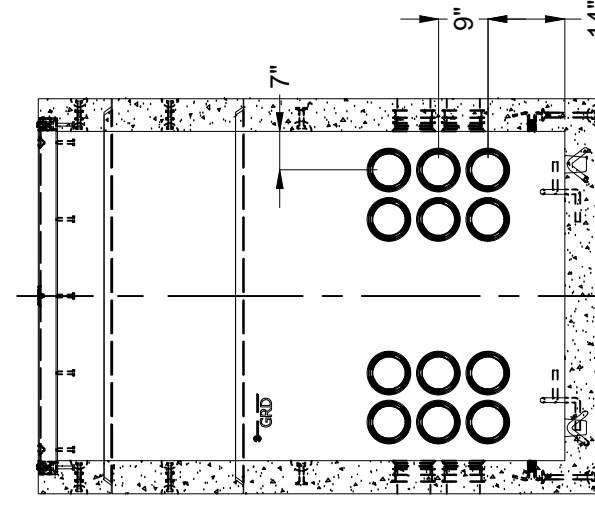
SECTION A-A



SECTION B-B



SECTION C-C



SECTION D-D

BURY DEPTH:	0.0' - 0.0' to Top		
WATER LEVEL:	3.0'	APPROX. WEIGHT:	2-1510.48 Lbs
DESIGN SPEC:	ASTM C857, ACI 318	LOADING SPEC:	A-16 (AASHTO HS20-44)
AGENCY:	COB	AGENCY SPEC:	600-55&56 Parkway

**JENSEN PRECAST** EST. 1968  
[WWW.JENSENPRECAST.COM](http://WWW.JENSENPRECAST.COM)

©2023 Jensen Precast-All rights reserved. All materials appearing as Jensen Precast documents and the like are proprietary work product and are protected under U.S. copyright and other laws. Unless in conjunction with business conducted with Jensen Precast, any use of Jensen Precast work product without express, written consent is prohibited, and recipient is prohibited from distributing any and all work product to non-approved third parties under penalty of civil action.

DESCRIPTION:	Pull Box 60102 Layout Assembly COB 600-55&56 Parkway		
PART NUMBER:	200029850	LAYOUT DRAWING	DRAWN BY: R. Ramos
CREATED:	9/25/2019	MODIFIED:	9/14/2023