

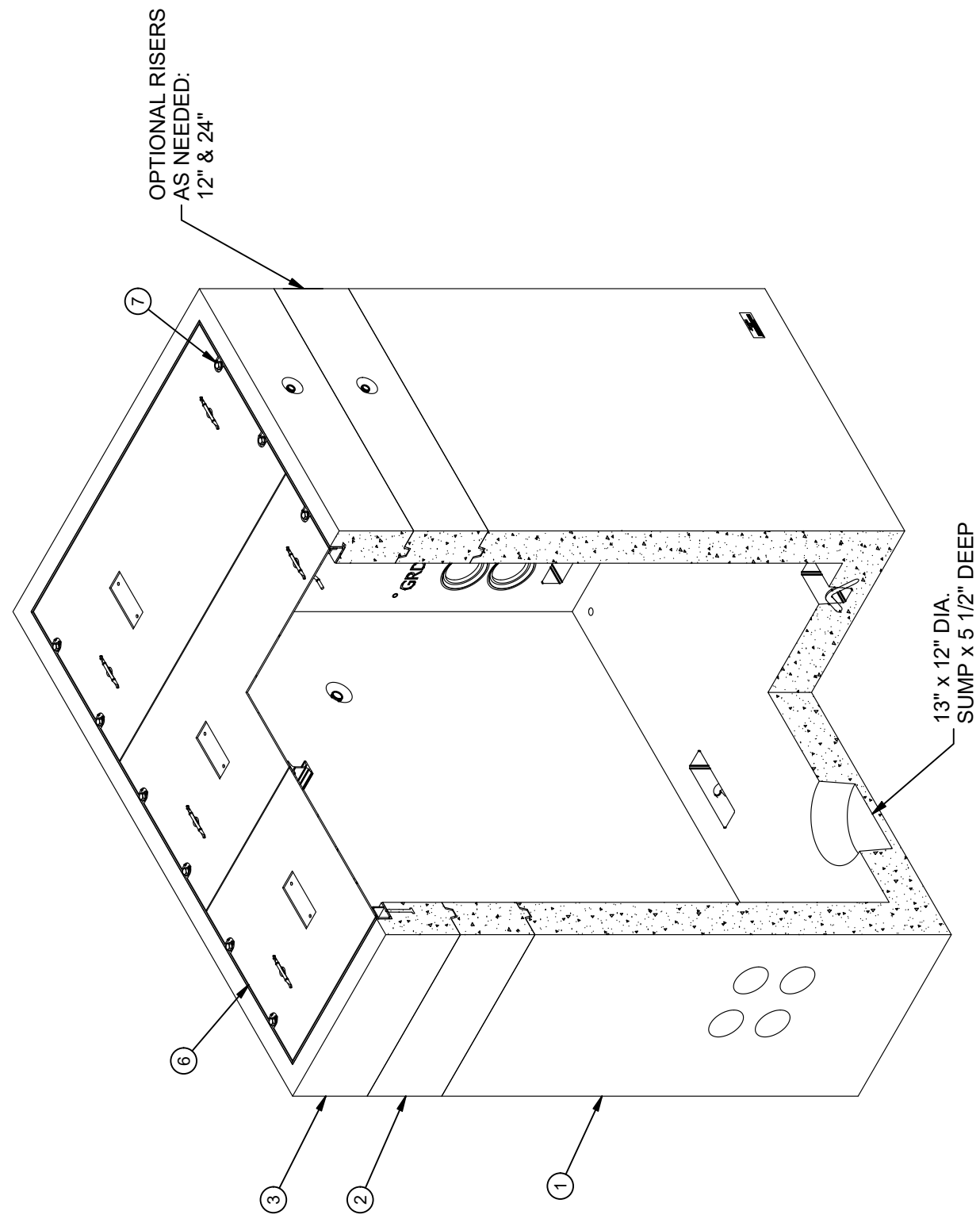
DESIGN NOTES

- DESIGNED IN ACCORDANCE WITH AASHTO H20-44 TRAFFIC LOADING USING 5,500 PSI COMPRESSIVE STRENGTH CONCRETE AND 60,000 PSI YIELD STRENGTH ASTM A-706 STEEL REINFORCEMENT PER CALCS. #34229.
- FINISH COATING: ALL INTERIOR WALLS AND CEILING SHALL BE PAINTED WHITE.
- ALL PARTS TO BE STENCILED: MFG DATE / JOB NUMBER / PRODUCT ID / WEIGHT.
- MINIMUM EXCAVATION SIZE: 6'-0" X 8'-6" DEPTH REQ'D.
- COVER DESIGNED FOR 300PSF PARKWAY LOADING.
- VAULT TO BE PLACED ON A MIN. 6" BASE OF CRUSHER RUN FOR EASE OF INSTALLATION AND EVEN LOAD DISTRIBUTION.

ALL INTERIOR WALLS AND CEILING SHALL BE PAINTED WHITE

BILL OF MATERIALS

ITEM	UNIT QTY	QTY	PART NUMBER	DESCRIPTION	MASS (lb)
1	1	1	200035746	Vault 4878x60 Rect. Bottom Section COB	11586
2	1	1	100009275	Pull Box 4878x12 Rect. Riser	1710
3	1	1	100012695	Pull Box 4878x12 Rect. Top Section 4878	1771
4	1	1	100005749	SEALANT JOINT BUTYL RUBBER CS-102 ASTM C990 1X14.5-8 PER BOX	
5	1	1	100006377	Support Beam 52.25in S Beam (SCB 466-247)	
6	1	3	100015161	DAS1-SD-2753-DX-DP-G-FONT-(SC466-PGV)	116
7	1	12	100008105	PENTA BOLT 1/2-13 UNC 2-1/2 304SS W/CAPWASH	
8	1.250 gal	1.250 gal	100006420	COATING PAINT LATEX WHITE	



ISOMETRIC VIEW

LIFTING NOTES

- THIS CONCRETE PRODUCT IS DESIGNED TO BE LIFTED WITH FOUR EQUALLY LOADED RIGGINGS LEGS MIN. 60° SLING ANGLE, MEASURED FROM HORIZONTAL.
- | | |
|---------------|-------------------------------|
| BURY DEPTH: | 0.0' - 0.0' to Top of Section |
| WATER LEVEL: | 3.0' |
| DESIGN SPEC: | ASTM C857 |
| AGENCY: | COB |
| WEIGHT: | 15443.93 Lbs |
| LOADING SPEC: | A-16 (AASHTO HS20-44) |
| AGENCY SPEC: | 600-53&54 PARKWAY |

REVISION HISTORY

REV	DESCRIPTION	DATE	APPROVED
A	INITIAL RELEASE	2/07/2020	
B	REPLACE TOP RING WITH STD AND UPDATE BOM	2/26/2020	

DESCRIPTION: Pull Box 4878 Layout Assembly COB 600-53&54 PARKWAY

REVISION HISTORY: LAYOUT REVIEW

REV: B

SHEET: 1 OF 2

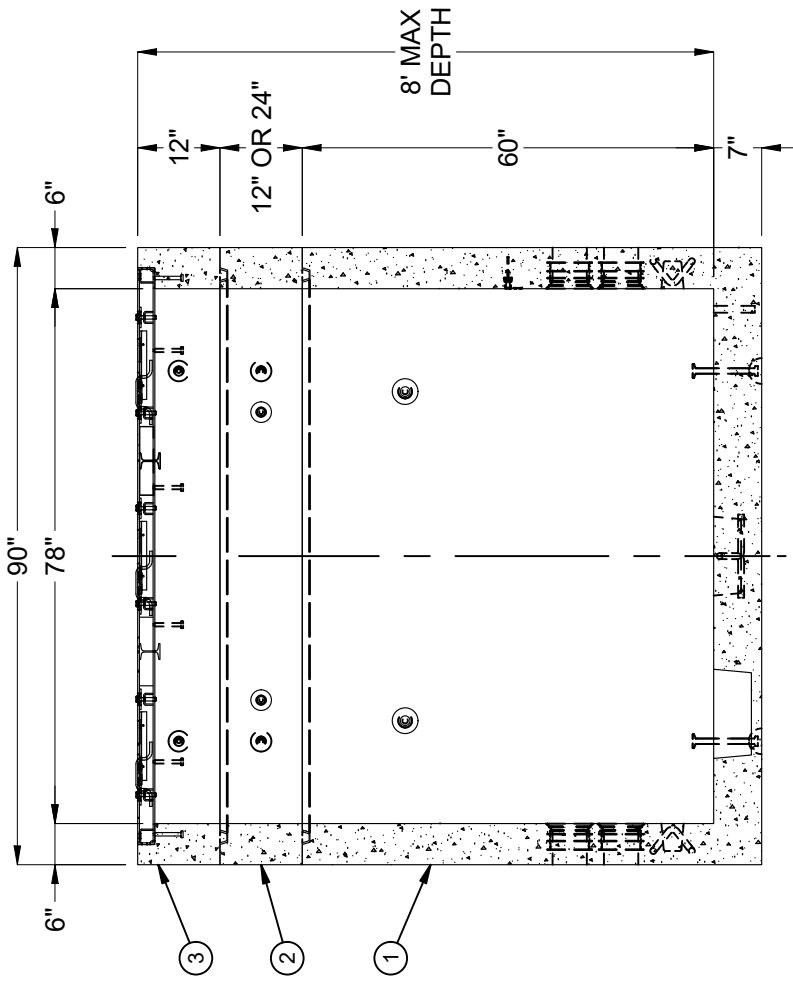
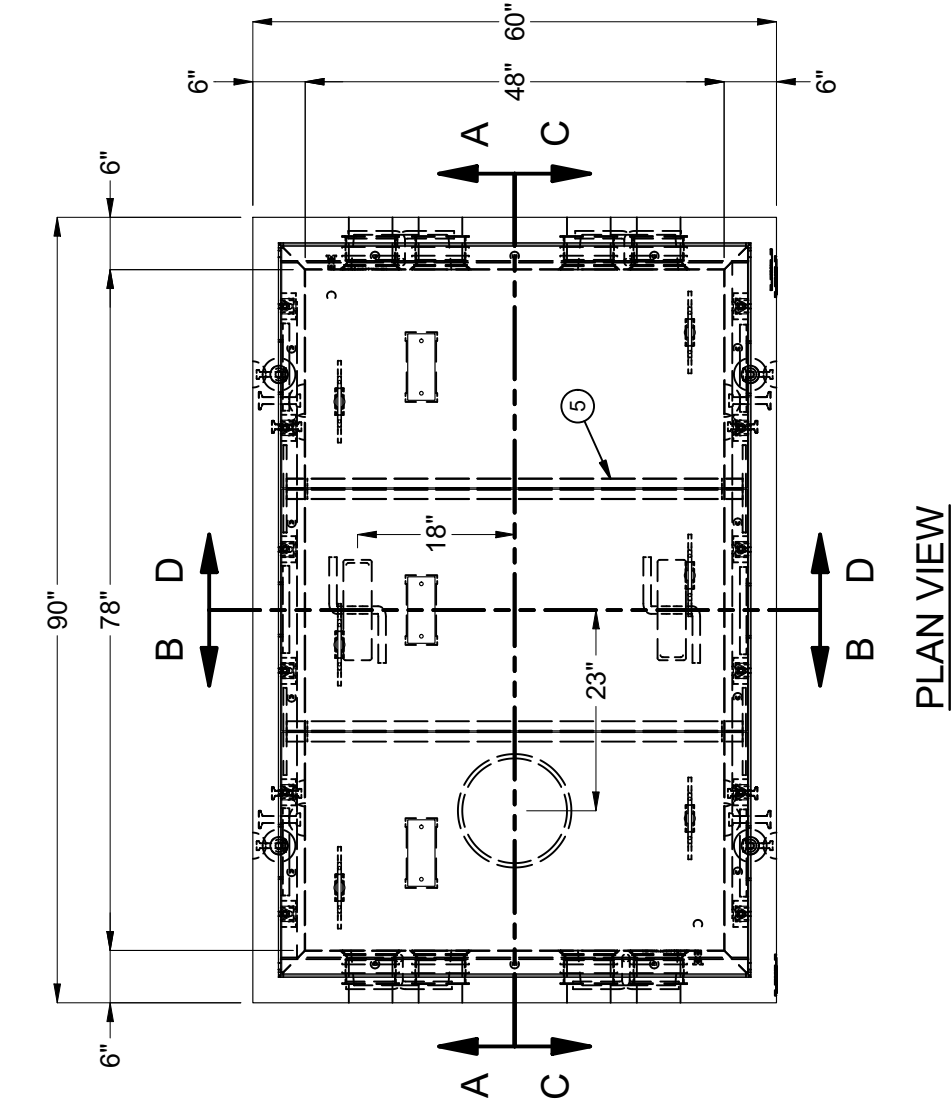
©2019 Jensen Precast. All rights reserved. All materials appearing as Jensen Precast documents and the like are proprietary work product and are protected under U.S. copyright and other laws. Unless in conjunction with business conducted with Jensen Precast, any use of Jensen Precast work product without express, written consent is prohibited, and recipient is prohibited from distributing any and all work product to non-approved third parties under penalty of civil action.

EST. 1968

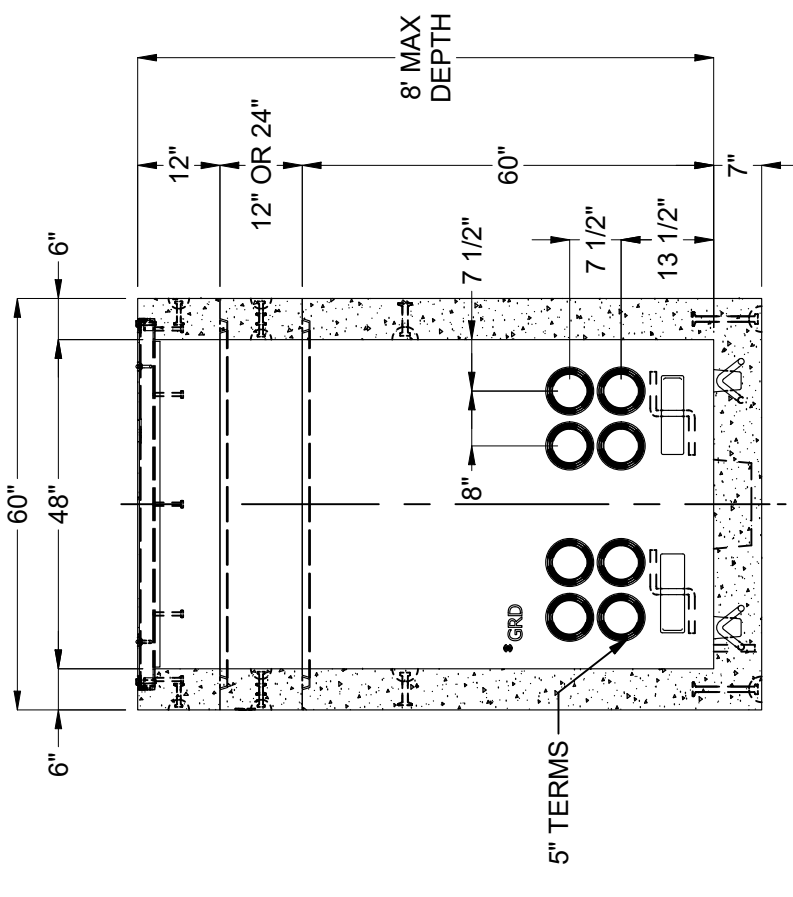
JENSEN PRECAST

WWW.JENSENPRECAST.COM

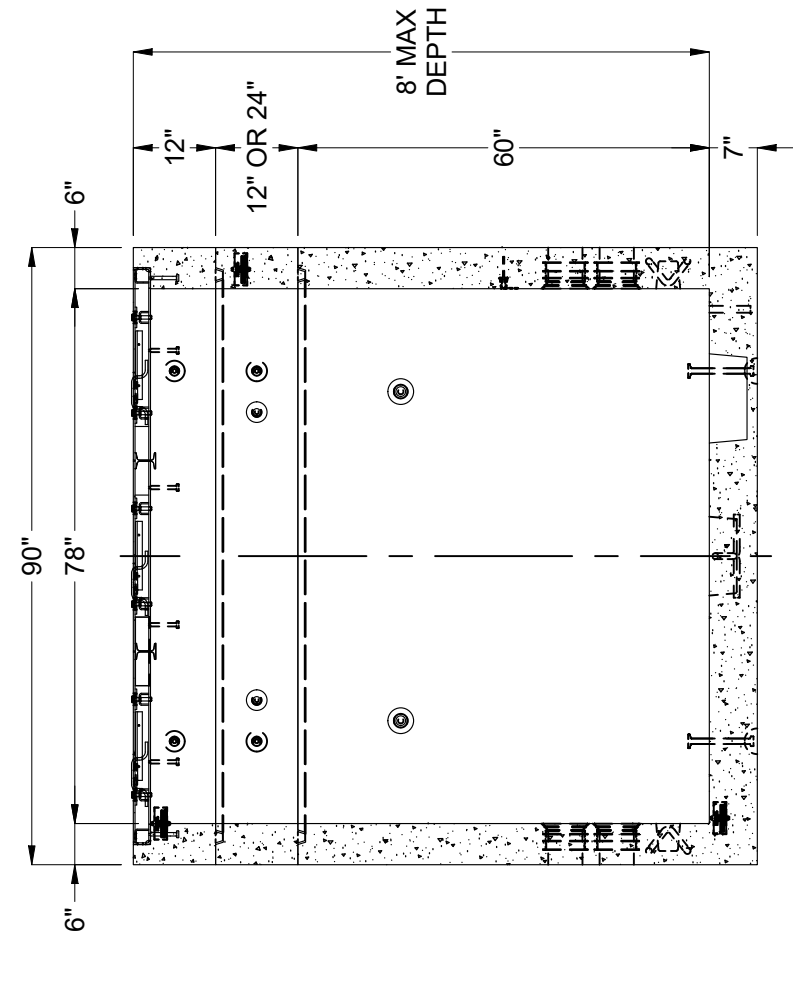
PART NUMBER:	200029862	DRAWN BY:	N. Chand
CREATED:	9/26/2019	MODIFIED:	2/26/2020



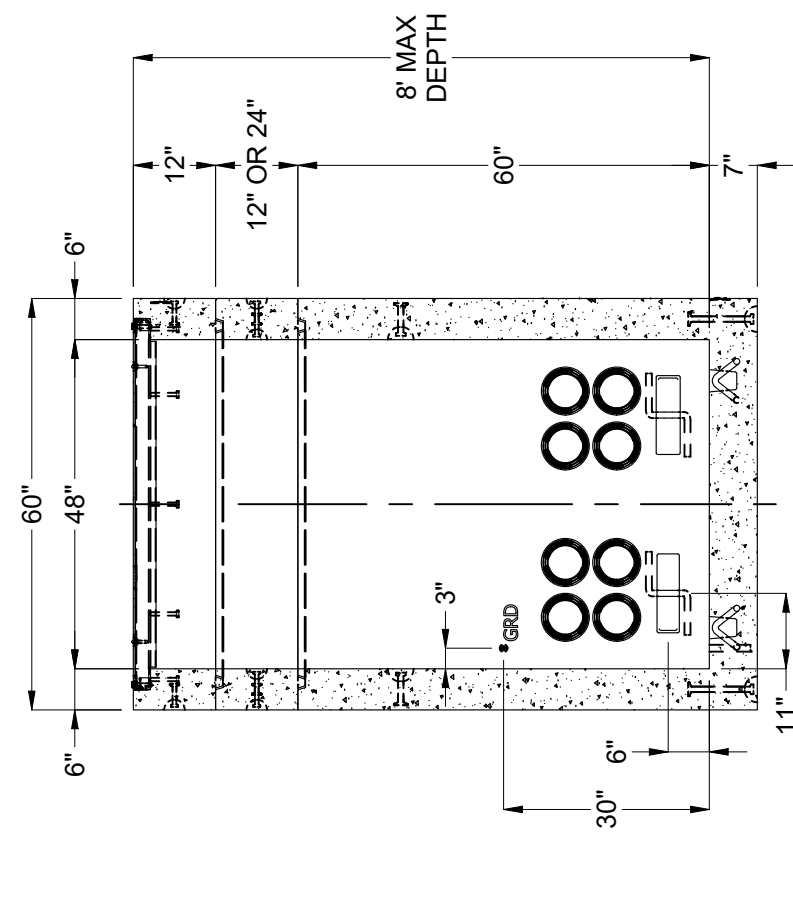
SECTION A-A



SECTION B-B



SECTION C-C



SECTION D-D

BURY DEPTH:	0.0' - 0.0' to Top of Section		
WATER LEVEL:	3.0'	WEIGHT:	15443.93 Lbs
DESIGN SPEC:	ASTM C857	LOADING SPEC:	A-16 (AASHTO HS20-44)
AGENCY:	COB	AGENCY SPEC:	600-53&54 PARKWAY

JENSEN PRECAST EST. 1968
WWW.JENSENPRECAST.COM

©2019 Jensen Precast. All rights reserved. All materials appearing as Jensen Precast documents and the like are proprietary work product and are protected under U.S. copyright and other laws. Unless in conjunction with business conducted with Jensen Precast, any use of Jensen Precast work product without express, written consent is prohibited, and recipient is prohibited from distributing any and all work product to non-approved third parties under penalty of civil action.

DESCRIPTION:	Pull Box 4878 Layout Assembly COB 600-53&54 PARKWAY		
LAYOUT REVIEW	N. Chand		
PART NUMBER:	200029862	DRAWN BY:	N. Chand
CREATED:	9/26/2019	MODIFIED:	2/26/2020
REV:	B	SHEET:	2 OF 2