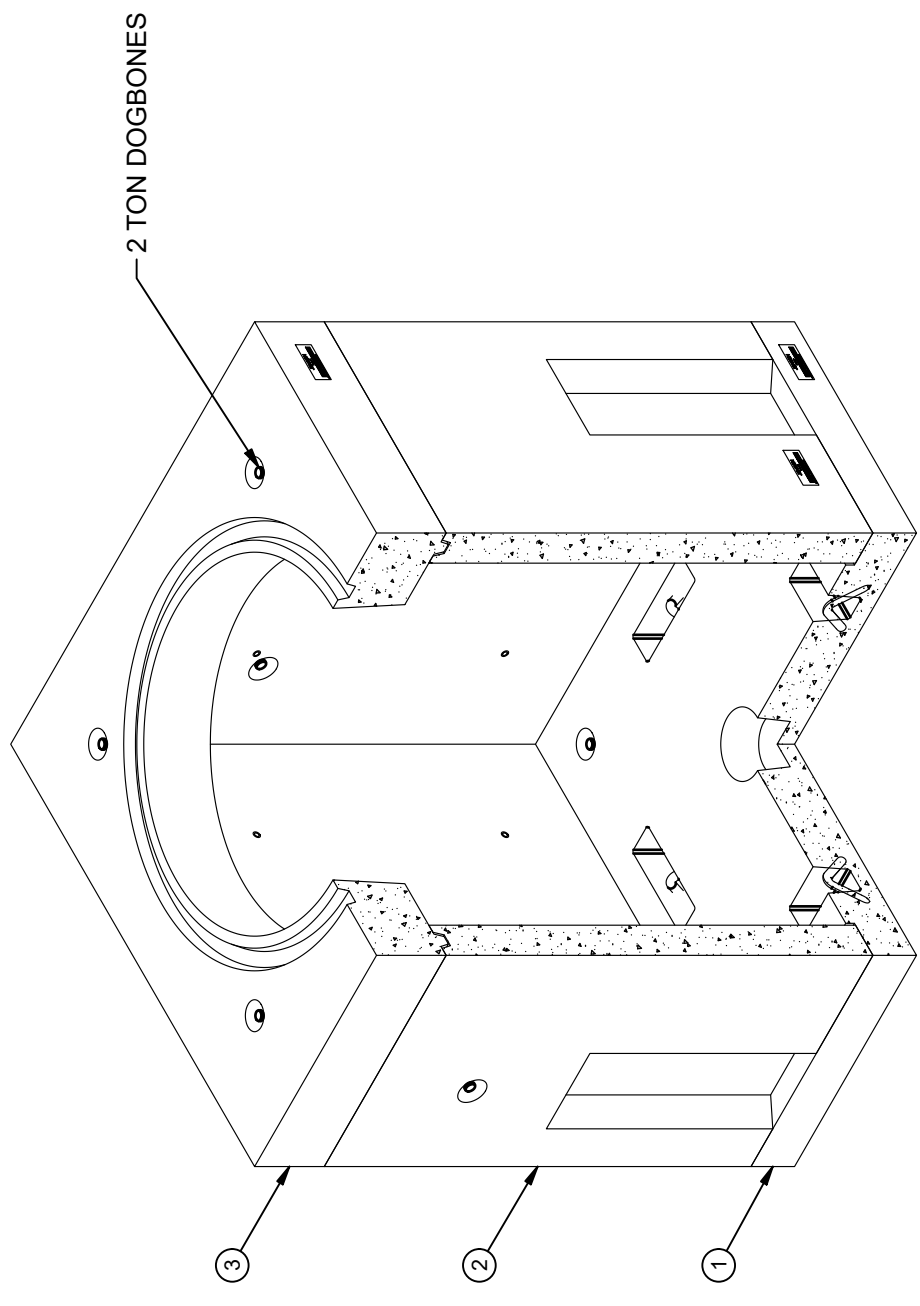


DESIGN NOTES

- DESIGNED IN ACCORDANCE WITH AASHTO HS20-44 LOADING USING 5,500PSI COMPRESSIVE STRENGTH CONCRETE AND 60,000 PSI YIELD STRENGTH ASTM A-706 STEEL REINFORCEMENT PER CALCS. #34293.
- MINIMUM EXCAVATION SIZE: 6'-0" X 6'-0" DEPTH REQ'D.
- PULL BOX TO BE PLACED ON A MIN. 6" BASE OF CRUSHER RUN FOR EASE OF INSTALLATION AND EVEN LOAD DISTRIBUTION.
- FINISH COATING: ALL INTERIOR WALLS AND CEILING SHALL BE PAINTED WHITE.
- ALL PARTS TO BE STENCILED: MFG DATE / JOB NUMBER / PRODUCT ID / WEIGHT.
- FOR COMPLETE DESIGN AND PRODUCT INFORMATION CONTACT JENSEN PRECAST.

BILL OF MATERIALS

ITEM	UNIT QTY	QTY	PART NUMBER	DESCRIPTION	MASS (lb)
1	1	1	100014808	Vault 4848 X 5 Slab Bottom AT&T	1501
2	1	1	200038086	Vault 4848x48 Rect. Riser Thinwall Knockout AT&T	3158
3	1	1	100012993	Vault 4848 x 8 Slab Top 36 C AT&T	1454
4	0.500 gal	0.500 gal	100006420	COATING PAINT LATEX WHITE	
5	1	1	100005749	SEALANT JOINT BUTYL RUBBER ASTM C-990 AND M198 CS-102 1IN EQUIV X14.5FT PER BOX 118FT	



ISOMETRIC VIEW

LIFTING NOTES

FIELD INSTALLATION: PLANT DEMOLING: MINIMUM HANDLING CONCRETE STRENGTH F <sub>c</sub> = 5500 PSI RIGGING EQUALIZER REQUIRED TO EQUALIZE LOAD TO 4 LIFTING POINTS WITH A SLING ANGLE BETWEEN 60° AND 90°	
BURY DEPTH:	1.0' - 4.0' to Top of Section
WATER LEVEL:	3.0'
WEIGHT:	6113.4 Lbs
DESIGN SPEC:	ASTM C857, ACI 318
LOADING SPEC:	A-16 (AASHTO HS20-44)
AGENCY:	AT&T
AGENCY SPEC:	

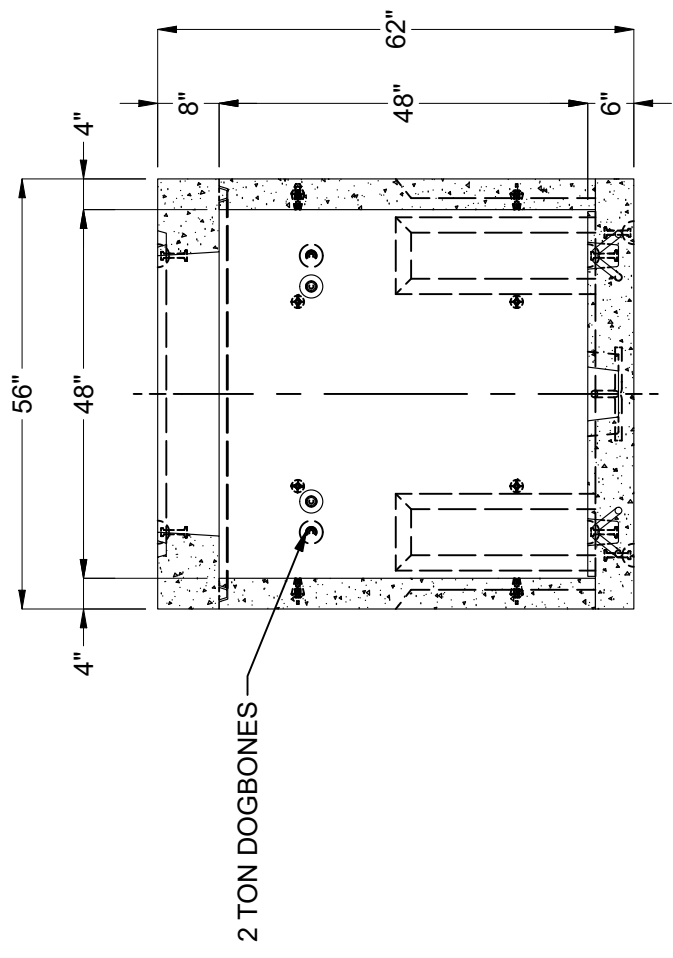
REVISION HISTORY

REV	DESCRIPTION	DATE	APPROVED
A	INITIAL RELEASE	4/21/2020	
A	UPDATED REBAR	4/22/2020	

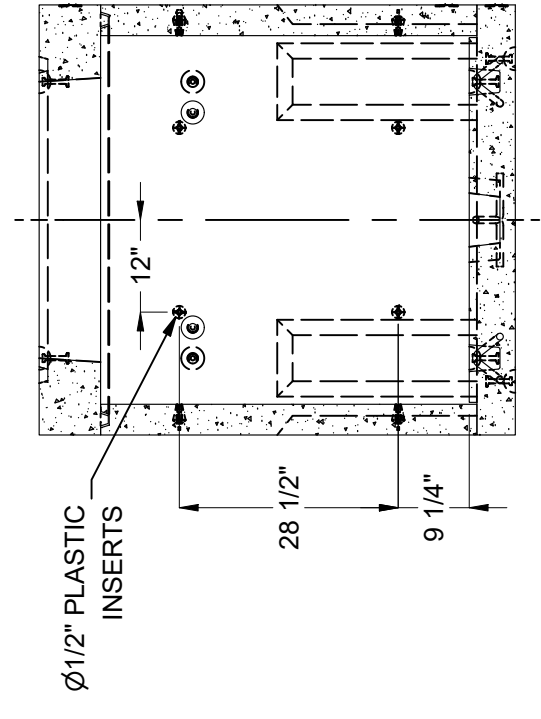
DESCRIPTION: Utility Vault 4848 Layout Assembly AT&T  
 LAYOUT REVIEW  
 PART NUMBER: 200038085  
 DRAWN BY: D.Mejia  
 CREATED: 4/6/2020  
 MODIFIED: 4/23/2020

**JENSEN PRECAST** EST. 1968  
 WWW.JENSENPRECAST.COM

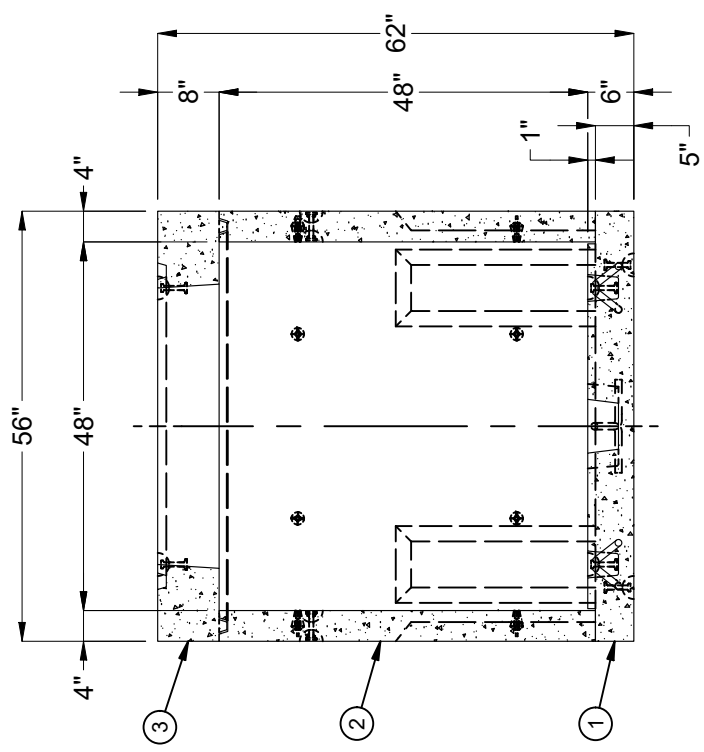
©2019 Jensen Precast. All rights reserved. All materials appearing as Jensen Precast documents and the like are proprietary work product and are protected under U.S. copyright and other laws. Unless in conjunction with business conducted with Jensen Precast, any use of Jensen Precast work product without express, written consent is prohibited, and recipient is prohibited from distributing any and all work product to non-approved third parties under penalty of civil action.



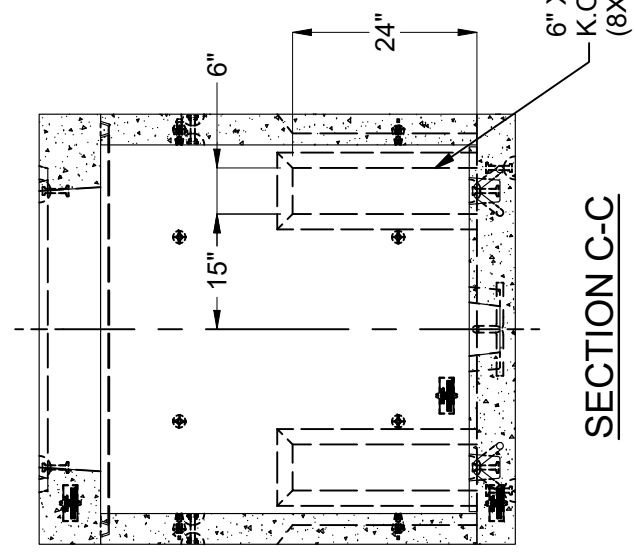
SECTION B-B



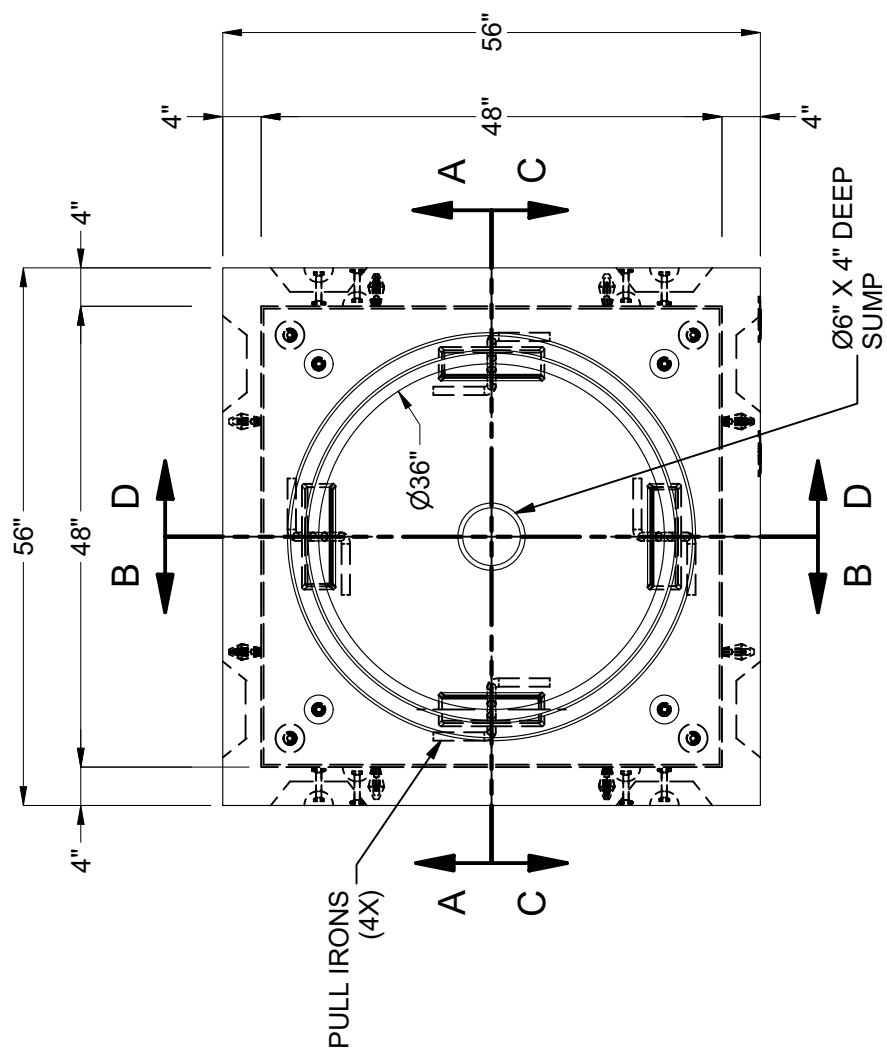
SECTION D-D



SECTION A-A



SECTION C-C



PLAN VIEW

BURY DEPTH:	1.0' - 4.0' to Top of Section	DESCRIPTION:	Utility Vault 4848 Layout Assembly AT&T	REV:	A
WATER LEVEL:	3.0'	WEIGHT:	6113.4 Lbs	SHEET:	2
DESIGN SPEC:	ASTM C857, ACI 318	LOADING SPEC:	A-16 (AASHTO HS20-44)	DRAWN BY:	D.Mejia
AGENCY:	AT&T	AGENCY SPEC:		MODIFIED:	4/23/2020
		PART NUMBER:	200038085	CREATED:	4/6/2020
		LAYOUT DRAWING			

©2019 Jensen Precast. All rights reserved. All materials appearing as Jensen Precast documents and the like are proprietary work product and are protected under U.S. copyright and other laws. Unless in conjunction with business conducted with Jensen Precast, any use of Jensen Precast work product without express, written consent is prohibited, and recipient is prohibited from distributing any and all work product to non-approved third parties under penalty of civil action.

**JENSEN PRECAST** EST. 1968  
WWW.JENSENPRECAST.COM