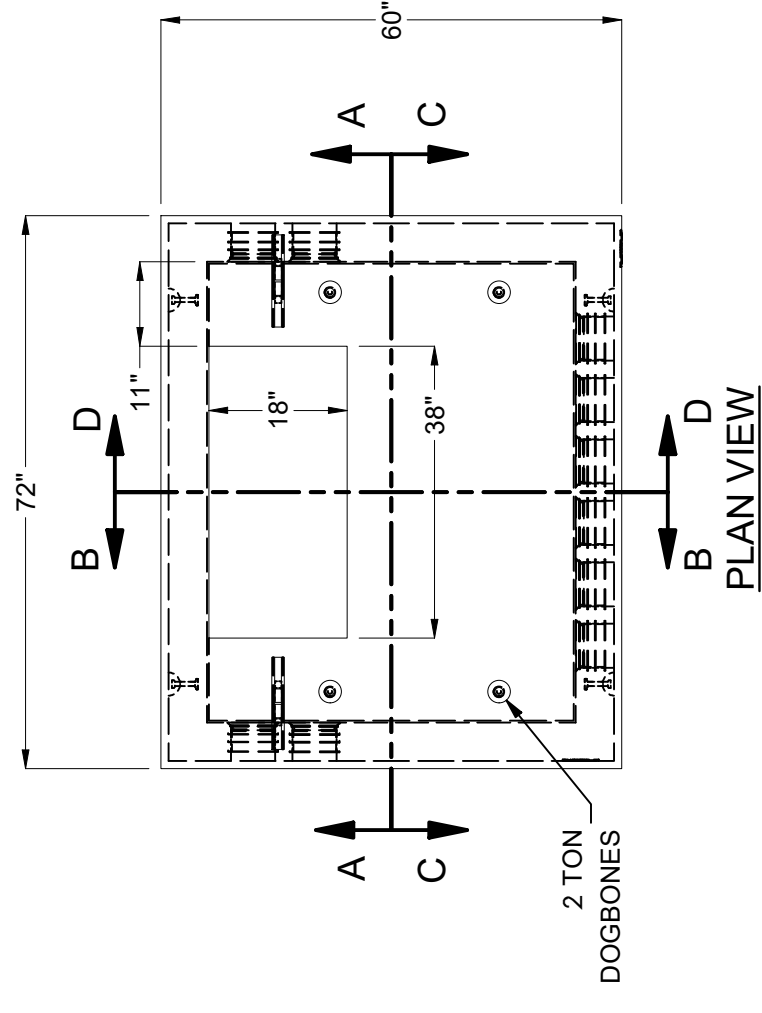
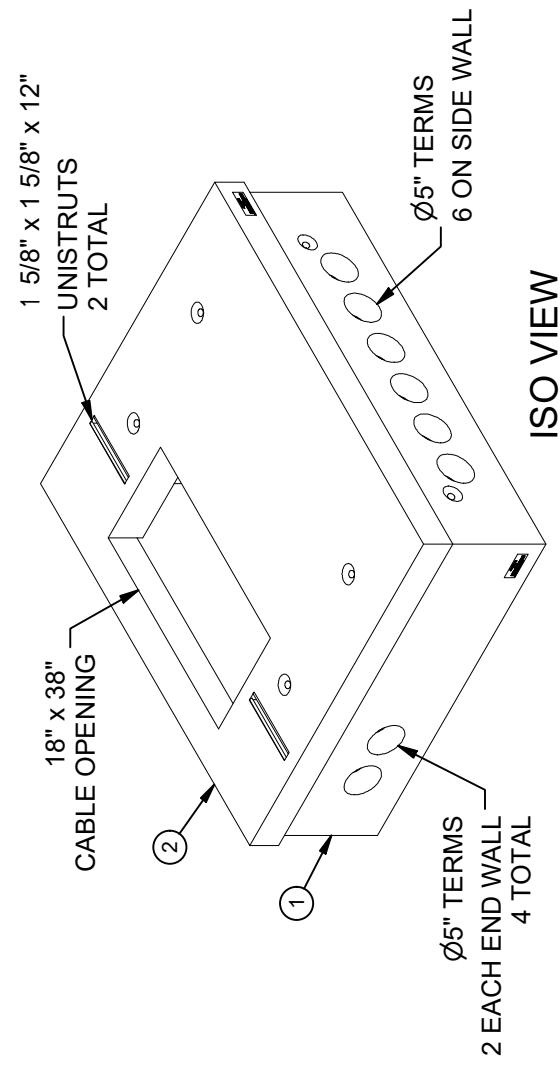


DESIGN NOTES

- PAD CONCRETE DESIGNED PER ASTM C857 LOAD DESIGNATION A-0.3 (300 PSF) PARKWAY LOADING USING 5,500 PSI CONCRETE AND ASTM A-706 GR. 60. STEEL REINFORCEMENT PER CALCS. #34565.
- MINIMUM EXCAVATION SIZE: 6'-0" X 7'-0" X DEPTH REQ'D.
- ALL PARTS TO BE STENCILED: MFG DATE / JOB NUMBER / PRODUCT ID / WEIGHT.
- FOR COMPLETE DESIGN AND PRODUCT INFORMATION CONTACT JENSEN PRECAST.



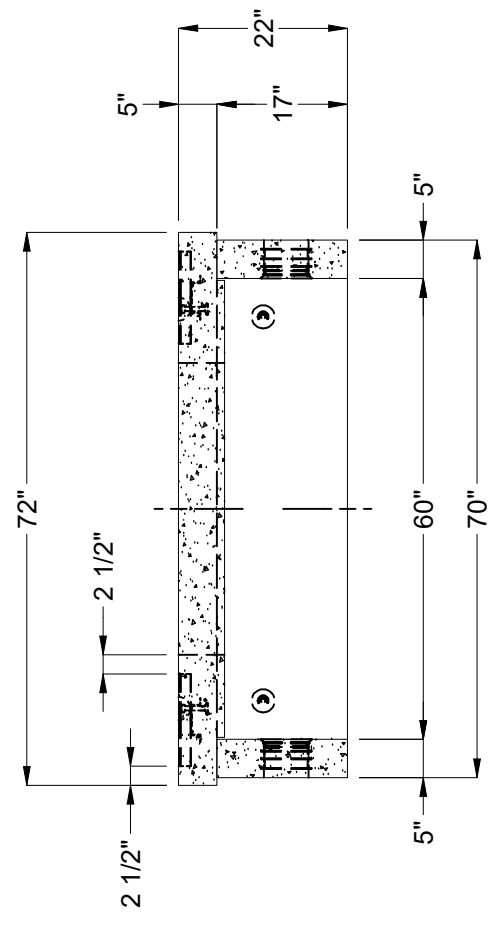
LIFTING NOTES

- FIELD INSTALLATION: PLANT DEMOLING: MINIMUM HANDLING CONCRETE STRENGTH F_c = 5500 PSI RIGGING EQUALIZER REQUIRED TO EQUALIZE LOAD TO 4 LIFTING POINTS WITH A SLING ANGLE BETWEEN 60° AND 90°

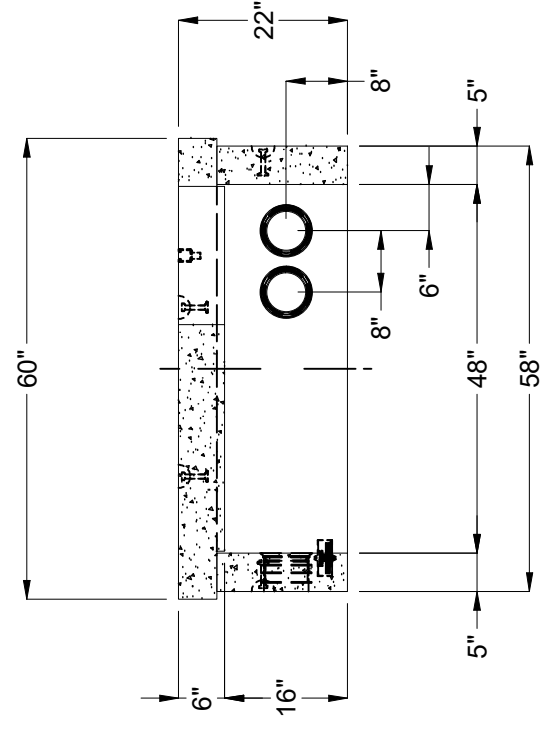
BURY DEPTH:	Above Ground
WATER LEVEL:	Below Structure
DESIGN SPEC:	ASTM C857, ACI 318
AGENCY:	EDISON
WEIGHT:	3396.84 Lbs
LOADING SPEC:	A-03 (300 psf)
AGENCY SPEC:	SS508

BILL OF MATERIALS

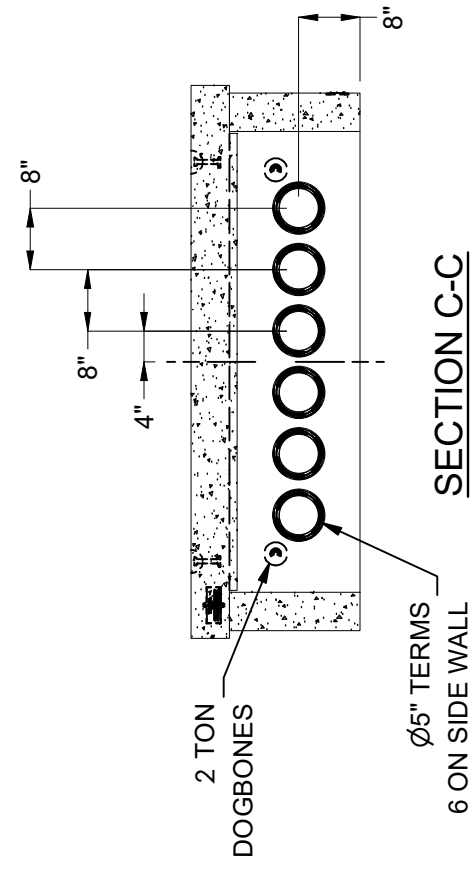
ITEM	UNIT QTY	QTY	PART NUMBER	DESCRIPTION	MASS (lb)
1	1	1	200045167	Vault 4860x17 Rect. Bottom Section Flat Terminators EDISON SS508	1632
2	1	1	200045168	Pad 6072x6 EDISON SS508	1765
3	1	1	100005749	SEALANT JOINT BUTYL RUBBER ASTM C-990 AND M198 CS-102 1IN EQUIV X14.5FT PER BOX 118FT	



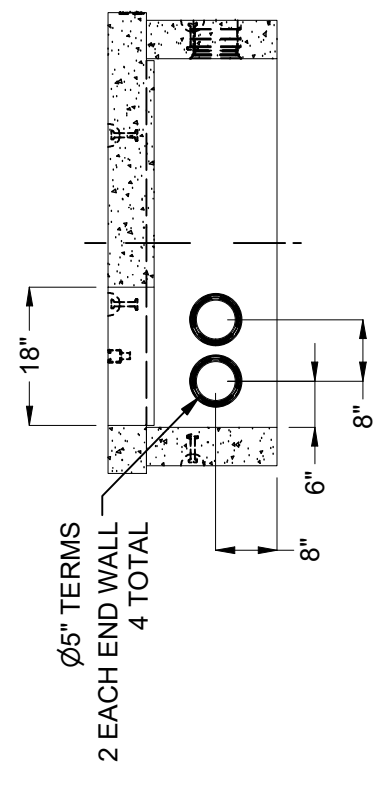
SECTION A-A



SECTION B-B



SECTION C-C



SECTION D-D

REVISION HISTORY

REV	DESCRIPTION	DATE	APPROVED
A	INITIAL RELEASE	10/29/2020	

DESCRIPTION: Utility Vault 6072 Layout Assembly EDISON SS508

LAYOUT REVIEW

PART NUMBER: 200045166

DRAWN BY: J. Prado

CREATED: 10/19/2020

MODIFIED: 10/29/2020

JENSEN PRECAST EST. 1968

WWW.JENSENPRECAST.COM

REV:	A
SHEET:	73
1 OF 1	

©2018 Jensen Precast. All rights reserved. All materials appearing as Jensen Precast documents and the like are proprietary work product and are protected under U.S. copyright and other laws. Unless in conjunction with business conducted with Jensen Precast, any use of Jensen Precast work product without express, written consent is prohibited, and recipient is prohibited from distributing any and all work product to non-approved third parties under penalty of civil action.