

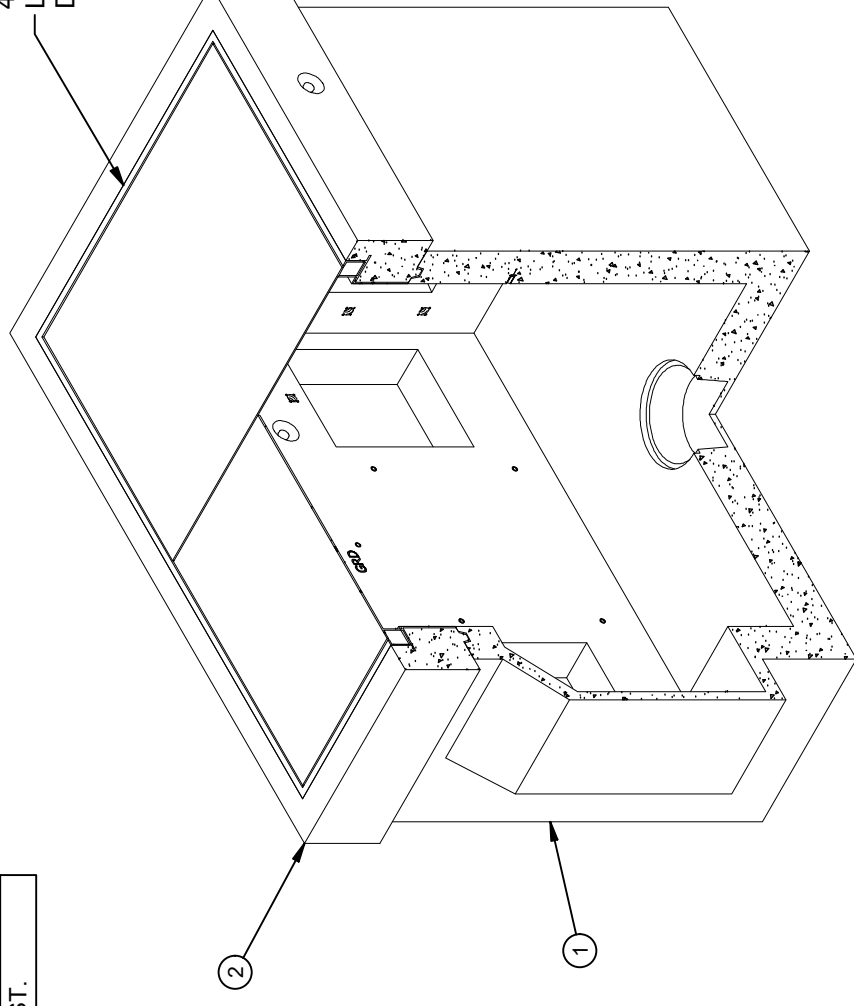
DESIGN NOTES

- DESIGNED IN ACCORDANCE WITH ASTM C-857 LOAD DESIGNATION A-16 (AASHTO HS-20-44) USING 6,000 PSI COMPRESSIVE STRENGTH CONCRETE AND 60,000 PSI YIELD STRENGTH ASTM A-706 STEEL REINFORCEMENT PER CALCS. #34563.
- FRAME AND COVER DESIGNED FOR USE IN STREETS, HIGHWAYS, OR AREAS SUBJECTED TO HIGH VELOCITY OR VOLUME OF VEHICULAR TRAFFIC CONDITIONS.
- MINIMUM EXCAVATION SIZE: 7'-0" X 9'-6" X DEPTH REQ'D.
- VAULT TO BE PLACED ON A MIN. 6" BASE OF CRUSHER RUN FOR EASE OF INSTALLATION AND EVEN LOAD DISTRIBUTION.
- FINISH COATING: ALL INTERIOR WALLS SHALL BE PAINTED WHITE.
- "GRD" SHALL BE STENCILED IN RED LETTERS ON THE CONCRETE ABOVE EACH INSERT.
- ALL PARTS TO BE STENCILED: MFG DATE / JOB NUMBER / PRODUCT ID / WEIGHT.
- FOR COMPLETE DESIGN AND PRODUCT INFORMATION CONTACT JENSEN PRECAST.

BILL OF MATERIALS

ITEM	UNIT QTY	QTY	PART NUMBER	DESCRIPTION	MASS (lb)
1	1	1	200049826	Vault 4878x54 Rect. Bottom Section Thinwall Ducted,Sump EDISON HP228	9916
2	1	1	200020767	Vault 4878x12 Rect. Top Section EDISON HP228	3164
3	1,000 gal	1,000 gal	100006420	COATING PAINT LATEX WHITE	
4	1,000 ul	1,000 ul	100005749	SEALANT JOINT BUTYL RUBBER ASTM C-990 AND M198 CS-102 1IN EQUIV X14.5FT PER BOX 118FT	

4878 GALV. STEEL DOUBLE DOOR
LIFT ASSISTED 90° -180° CAPABLE
DIAMOND PLATE COVER



ISOMETRIC VIEW

LIFTING NOTES

- FIELD INSTALLATION: PLANT DEMOLDING: MINIMUM HANDLING CONCRETE STRENGTH F'c = 5500 PSI RIGGING EQUALIZER REQUIRED TO EQUALIZE LOAD TO 4 LIFTING POINTS WITH A SLING ANGLE BETWEEN 60° AND 90°
- BURY DEPTH: 0.0' - 0.0' to Top
- WATER LEVEL: 3.0' WEIGHT: 13079.99 Lbs
- DESIGN SPEC: ASTM C857, ACI 318 LOADING SPEC: A-16 (AASHTO HS20-44)
- AGENCY: EDISON AGENCY SPEC: HP228

JENSEN PRECAST EST. 1968
WWW.JENSENPRECAST.COM

©2019 Jensen Precast-All rights reserved. All materials appearing as Jensen Precast documents and the like are proprietary work product and are protected under U.S. copyright and other laws. Unless in conjunction with business conducted with Jensen Precast, any use of Jensen Precast work product without express, written consent is prohibited, and recipient is prohibited from distributing any and all work product to non-approved third parties under penalty of civil action.

REVISION HISTORY

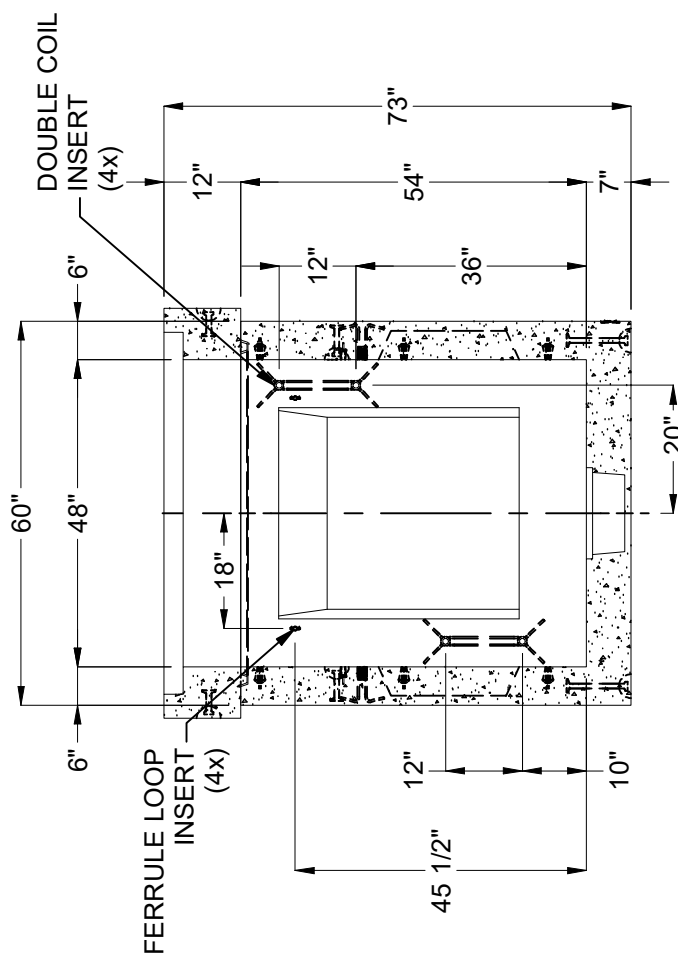
REV	DESCRIPTION	DATE	APPROVED
A-3	INITIAL RELEASE	4/19/2021	

DESCRIPTION:
Pull Box 4878 Layout Assembly EDISON HP228 Int. Coating - White Latex Paint

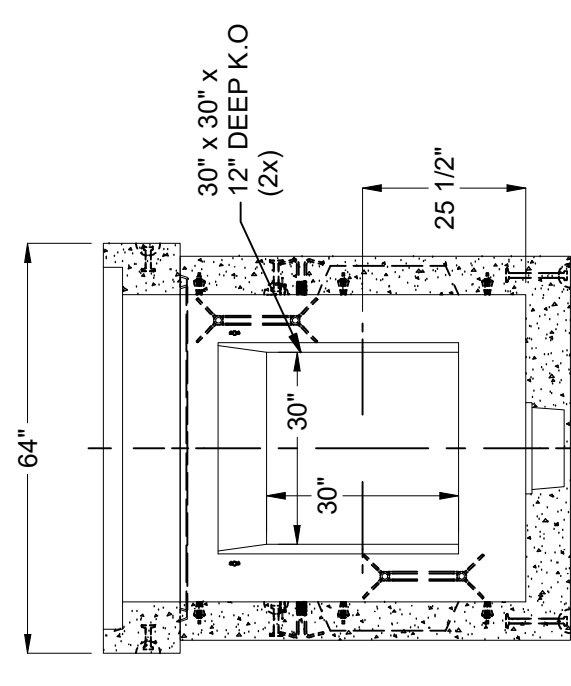
PART NUMBER: 200049824 LAYOUT REVIEW
DRAWN BY: M. Zaragoza

CREATED: 3/5/2021 MODIFIED: 4/19/2021

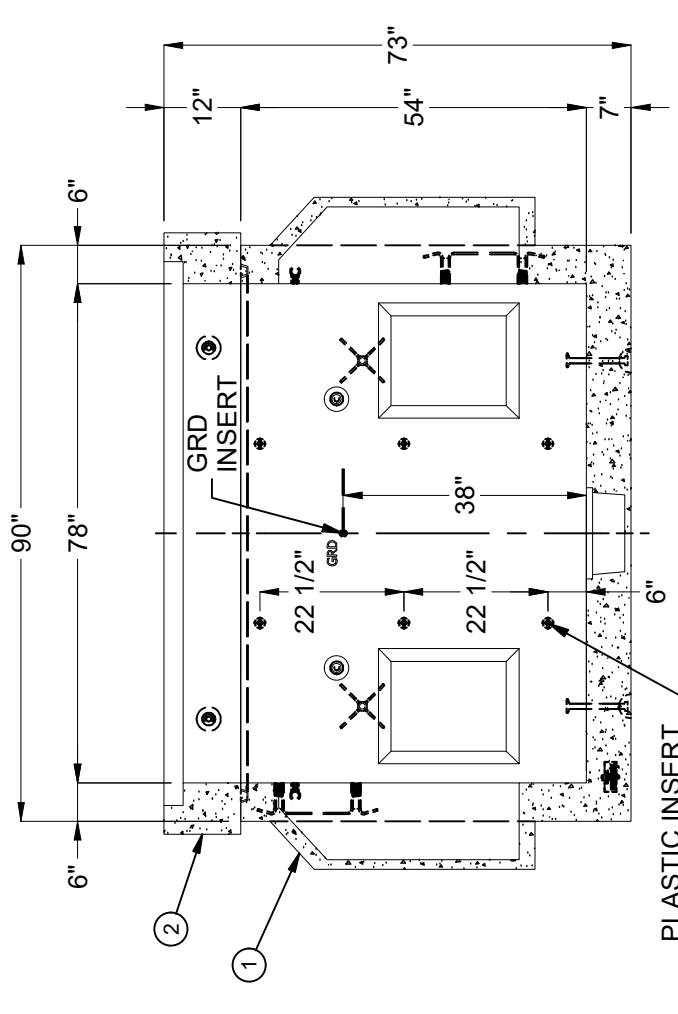
REV: A-4
SHEET: 59
1 OF 2



SECTION B-B

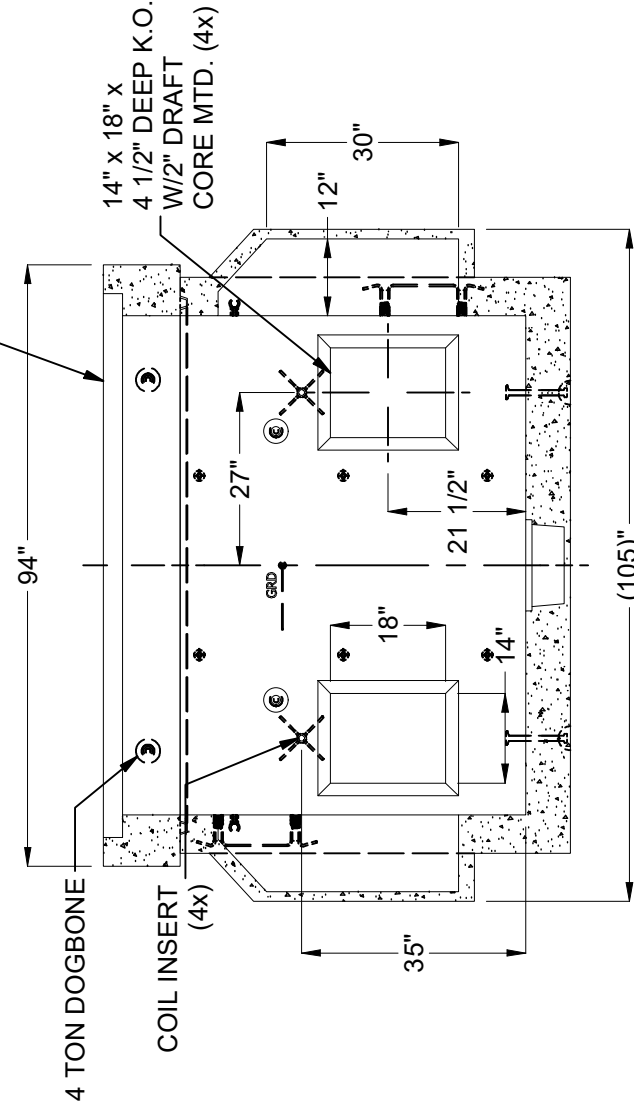


SECTION D-D

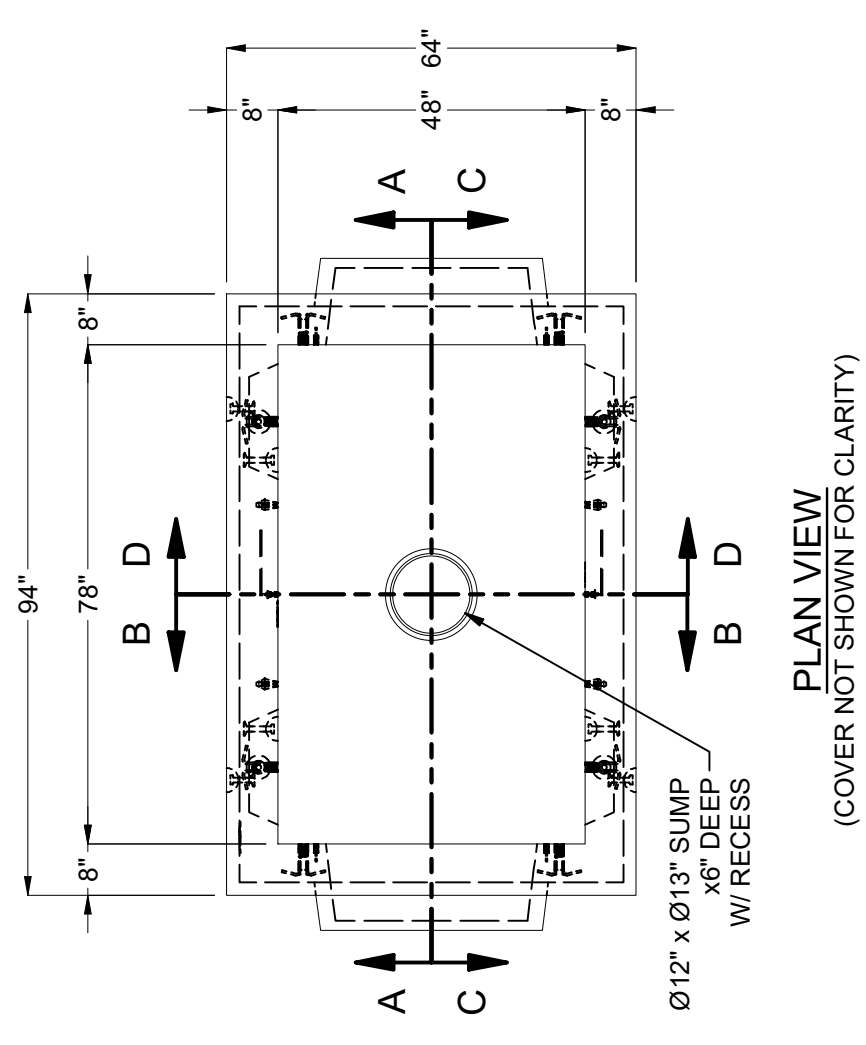


SECTION A-A

4878 GALV. STEEL DOUBLE DOOR
GAS SPRING ASSISTED
DIAMOND PLATE COVER



SECTION C-C



BURY DEPTH:	0.0' - 0.0' to Top	DESCRIPTION:	Pull Box 4878 Layout Assembly EDISON HP228 Int. Coating - White Latex Paint	REV:	A-4
WATER LEVEL:	3.0'	WEIGHT:	13079.99 Lbs	SHEET:	60
DESIGN SPEC:	ASTM C857, ACI 318	LOADING SPEC:	A-16 (AASHTO HS20-44)	DRAWN BY:	M. Zaragoza
AGENCY:	EDISON	AGENCY SPEC:	HP228	MODIFIED:	4/19/2021
			LAYOUT DRAWING	CREATED:	3/5/2021
			PART NUMBER:	200049824	

©2019 Jensen Precast. All rights reserved. All materials appearing as Jensen Precast documents and the like are proprietary work product and are protected under U.S. copyright and other laws. Unless in conjunction with business conducted with Jensen Precast, any use of Jensen Precast work product without express, written consent is prohibited, and recipient is prohibited from distributing any and all work product to non-approved third parties under penalty of civil action.

