

DESIGN NOTES

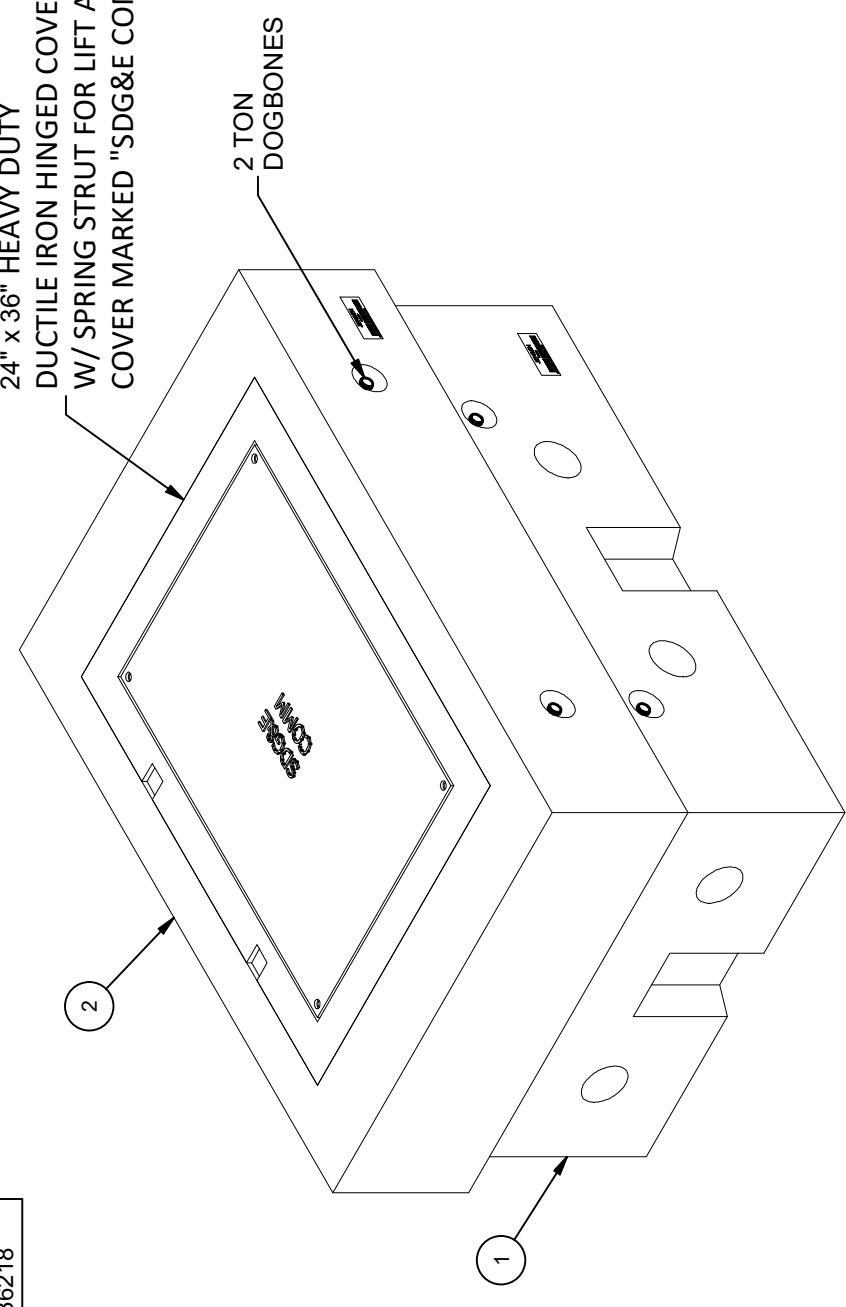
- DESIGNED IN ACCORDANCE WITH AASHTO HS-20-44 BRIDGE LOADING USING 6,000 PSI COMPRESSIVE STRENGTH CONCRETE AND 60,000 PSI YIELD STRENGTH ASTM A-706 STEEL REINFORCEMENT PER CALCS. #34711.
- MINIMUM EXCAVATION SIZE: 6'-0" X 4'-6" DEPTH REQ'D.
- FOR COMPLETE DESIGN AND PRODUCT INFORMATION CONTACT JENSEN PRECAST.
- COVER DESIGN FOR TRAFFIC LOADING.
- VAULT TO BE PLACED ON A MIN. 6" BASE OF CRUSHER RUN FOR EASE OF INSTALLATION AND EVEN LOAD DISTRIBUTION.
- CONCRETE MIX USED IN POURING THIS PRODUCT SHALL USE FLY ASH AS AN ADMIXTURE.
- ALL PARTS TO BE STENCILED: MFG DATE / JOB NUMBER / PRODUCT ID / WEIGHT.

CROSS REFERENCE	
JENSEN PART No.	SHORT DESCRIPTION
200056475	3313-XL BASE SECTION 18"
200056579	3313-XL TOP SECTION 12"
	SDGE STOCK No. S336218

BILL OF MATERIALS

ITEM	UNIT QTY	QTY	PART NUMBER	DESCRIPTION	MASS (lb)
1	1	1	200056475	Riser 3048x18 Rect. Riser Knockout SDGE 3313-XL	996
2	1	1	200056579	Vault 3048 x 12 Slab Top 24"x36"C SDG&E 3313-XL	2156
3	1,000 ul	1,000 ul	100005749	SEALANT JOINT BUTYL RUBBER ASTM C-990 AND M198 CS-102 1IN EQUIV X14.5FT PER BOX 118FT	

24" x 36" HEAVY DUTY  
DUCTILE IRON HINGED COVER  
W/ SPRING STRUT FOR LIFT ASSIST.  
COVER MARKED "SDG&E COMM"



ISO VIEW

LIFTING NOTES

- FIELD INSTALLATION: PLANT DEMOLDING: MINIMUM HANDLING CONCRETE STRENGTH F<sub>c</sub> = 5500 PSI RIGGING EQUALIZER REQUIRED TO EQUALIZE LOAD TO 4 LIFTING POINTS WITH A SLING ANGLE BETWEEN 60° AND 90°
- BURY DEPTH: 0.0' - 0.0' to Top
- WATER LEVEL: 3.0' APPROX. WEIGHT: 3151.63 Lbs
- DESIGN SPEC: ASTM C857, ACI 318 LOADING SPEC: A-16 (AASHTO HS20-44)
- AGENCY: SDGE AGENCY SPEC: 3313-XL

REVISION HISTORY	
REV	DESCRIPTION
A-1	INITIAL RELEASE
	DATE 11/9/2021
	APPROVED

DESCRIPTION:	Pull Box 3048 Layout Assembly SDGE 3313-XL
PART NUMBER:	200056474
CREATED:	9/15/2021
DRAWN BY:	D. Mejia
MODIFIED:	11/9/2021

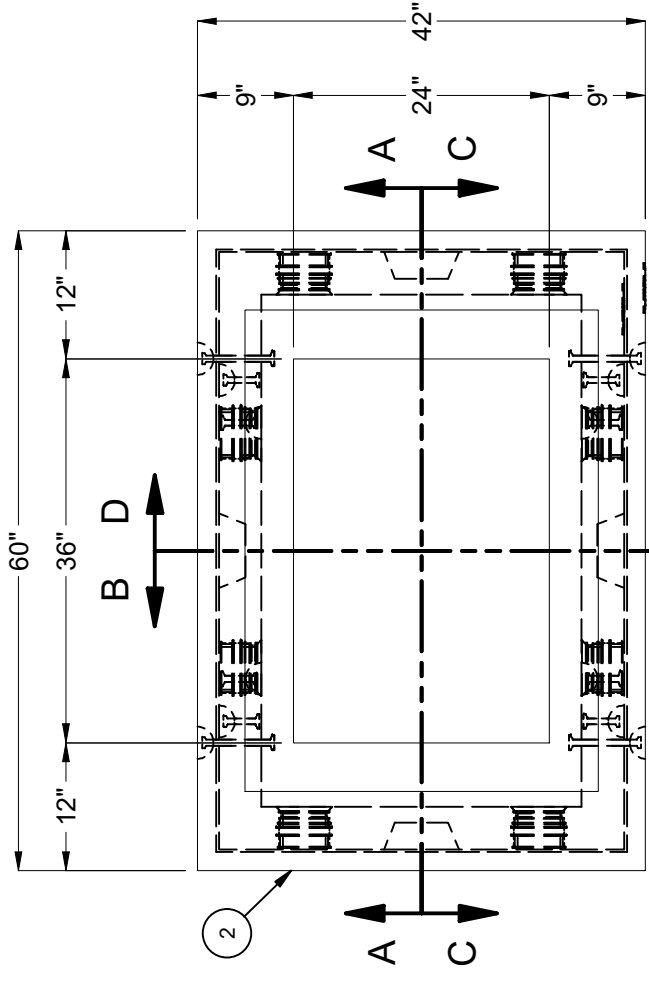
  

REV:	A-2
SHEET:	12
	1 OF 2

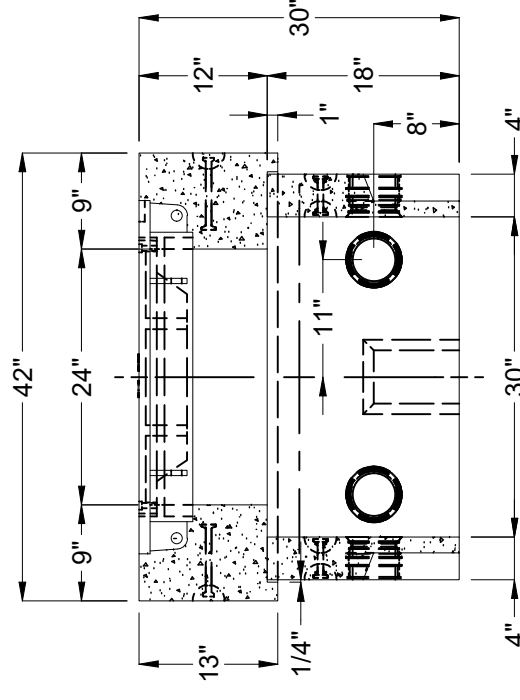
©2021 Jensen Precast. All rights reserved. All materials appearing as Jensen Precast documents and the like are proprietary work product and are protected under U.S. copyright and other laws. Unless in conjunction with business conducted with Jensen Precast, any use of Jensen Precast work product without express, written consent is prohibited, and recipient is prohibited from distributing any and all work product to non-approved third parties under penalty of civil action.



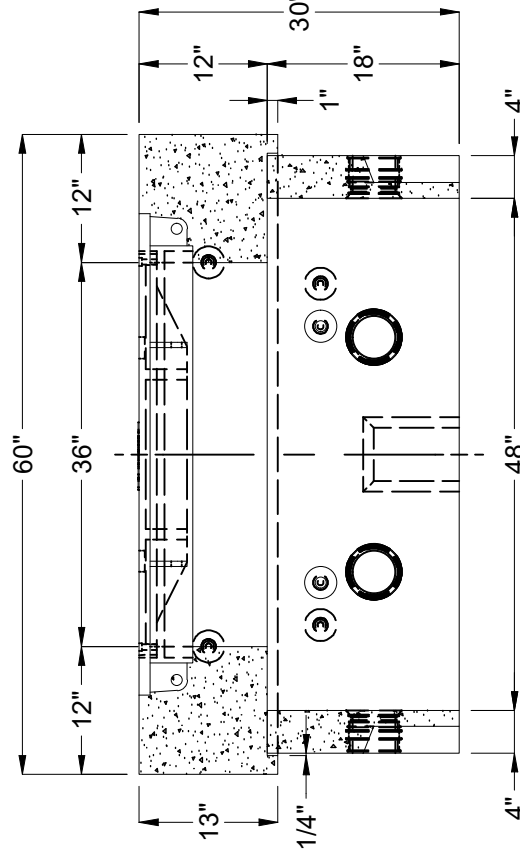
EST. 1968  
WWW.JENSENPRECAST.COM



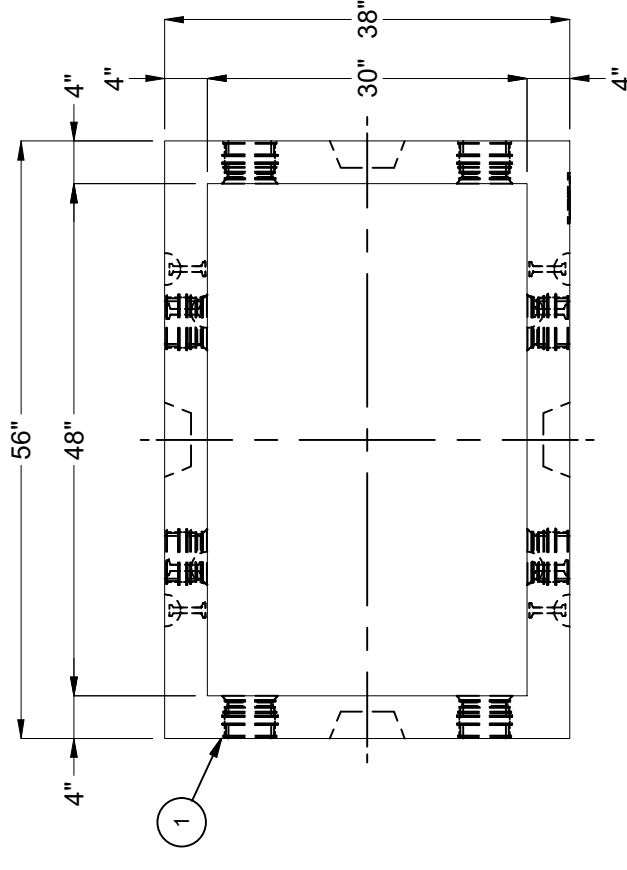
**PLAN VIEW**  
(COVER NOT SHOWN FOR CLARITY)



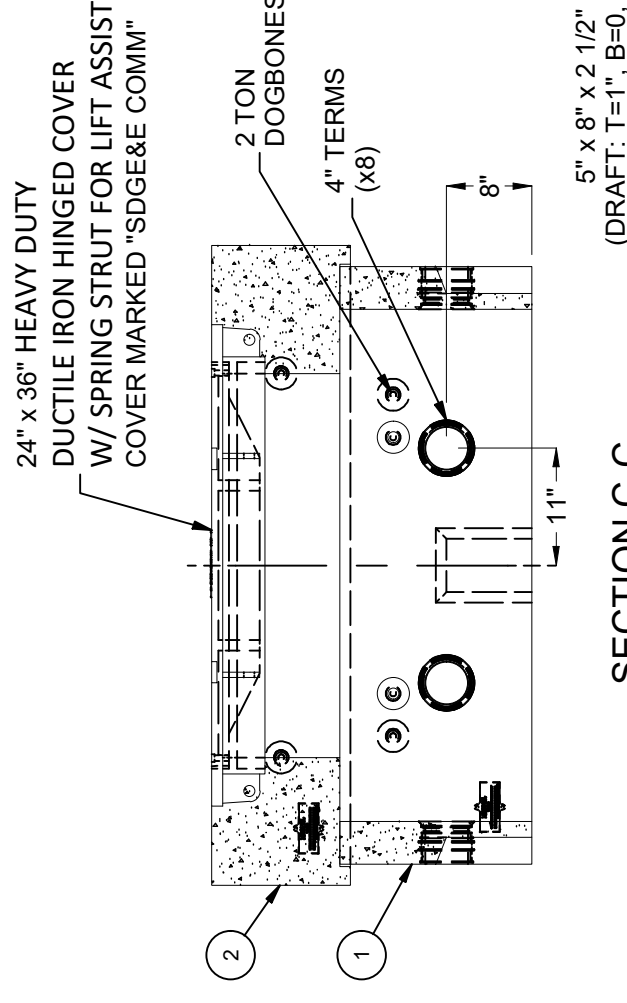
**SECTION B-B**



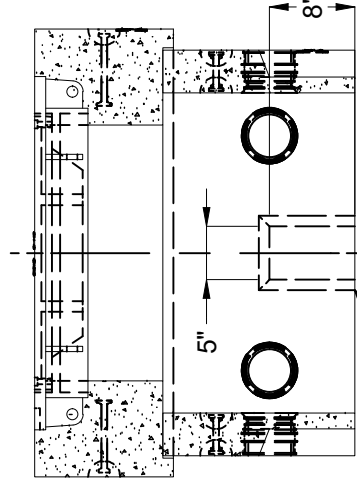
**SECTION A-A**



**PLAN VIEW**  
(BOTTOM SECTION)



**SECTION C-C**



**SECTION D-D**

5" x 8" x 2 1/2" DEEP K.O.  
(DRAFT: T=1", B=0, S1=S2=1")

BURY DEPTH:	0.0' - 0.0' to Top		
WATER LEVEL:	3.0'	APPROX. WEIGHT:	3151.63 Lbs
DESIGN SPEC:	ASTM C857, ACI 318	LOADING SPEC:	A-16 (AASHTO HS20-44)
AGENCY:	SDGE	AGENCY SPEC:	3313-XL

**JENSEN PRECAST** EST. 1968  
[WWW.JENSENPRECAST.COM](http://WWW.JENSENPRECAST.COM)

©2021 Jensen Precast. All rights reserved. All materials appearing as Jensen Precast documents and the like are proprietary work product and are protected under U.S. copyright and other laws. Unless in conjunction with business conducted with Jensen Precast, any use of Jensen Precast work product without express, written consent is prohibited, and recipient is prohibited from distributing any and all work product to non-approved third parties under penalty of civil action.

DESCRIPTION:	Pull Box 3048 Layout Assembly SDGE 3313-XL		
PART NUMBER:	200056474	LAYOUT DRAWING	DRAWN BY: D. Mejia
CREATED:	9/15/2021	MODIFIED:	11/9/2021