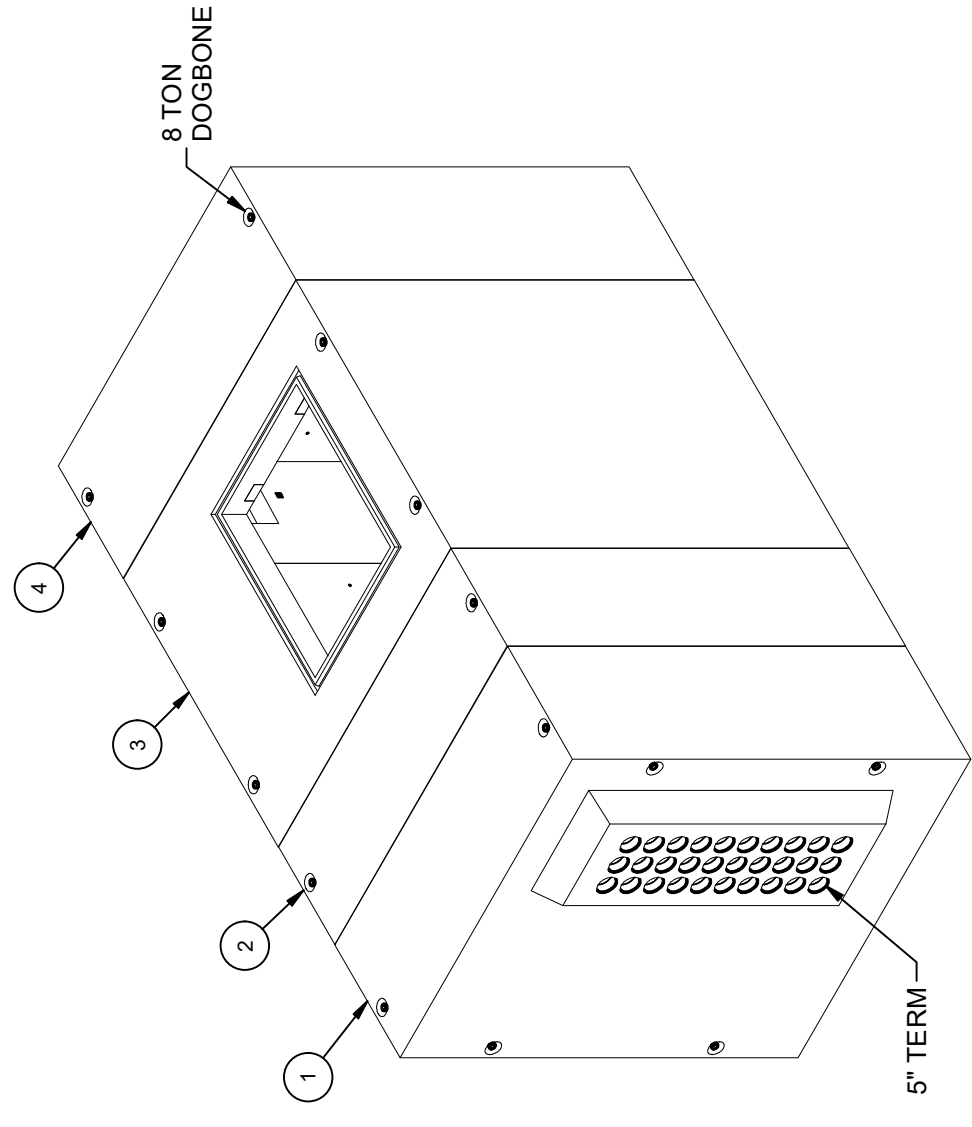


NOTES:

- STANDARDS. AASHTO LRFD BRIDGE DESIGN SPECIFICATIONS, 8TH EDITION, WITH 2022 CALTRANS AMENDMENTS, CITY OF LOS ANGELES BUREAU OF ENGINEERING STANDARD PLAN S-601, LATEST, MANUAL PART H, LADWP P 178, ASTM C-857. STRUCTURAL CALCS FOR BOX: #33718B.
- MATERIAL. CONCRETE, F_c=5,500 PSI. MIX TO INCLUDE FLY ASH AND DCI. REINFORCEMENT PER ASTM A-706, F_y=60,000.
- LOADS. VERTICAL LIVE LOAD: AASHTO HL-93. LIVE LOAD SURCHARGE: PER LA BOE PART H, FIGURE H 374.2A. MINIMUM 80 PSF (TO BOTTOM OF VAULT) OR LADWP P 178 (104 PSF). SOIL LATERAL LOADS: 40 PCF (DRY), 81 PCF (SATURATED), SATURATED SOIL CONDITIONS 3'-0" BELOW GRADE. SOIL BEARING CAPACITY = 1,500 PSF. DESIGN SOIL DENSITY IS 120 PCF.
- LOADS NOT INCLUDED. DESIGN DOES NOT INCLUDE COOPER E-80 RAILROAD LOADS OR LATERAL OR SURCHARGE LOADS THAT ARE PRODUCED BY FOOTING OR FOUNDATIONS ADJACENT TO THE STRUCTURE. THIS SUBSTRUCTURE SHALL BE KEPT AT LEAST IN A 1:1 RATIO AWAY FROM ALL FOOTINGS AND FOUNDATIONS, UNLESS THE ENGINEER OF RECORD APPROVES IN WRITING.
- INSTALLATION. VAULT TO BE PLACED ON WELL COMPACTED SOIL WITH MIN. 6" DEPTH OF TAMPED CRUSHED AGGREGATE BASE FOR EASE OF INSTALLATION AND EVEN LOAD DISTRIBUTION USING A VIBRATORY PLATE COMPACTOR IN A MIN. OF TWO PASSES. BASE TO EXTEND 12" BEYOND THE STRUCTURE. BASE MATERIAL IN ACCORDANCE WITH SECTION 200-2.2 OF THE SSPWC (GREEN BOOK) PER LADWP SPECIFICATION NO. 104.
- VAULTS LONGITUDINAL DIRECTION (17' LENGTH) SHALL BE INSTALLED PARALLEL TO THE TRAVEL DIRECTION OF THE STREET TO AVOID INTERFERENCE WITH ADJACENT UTILITIES.
- EACH CONCRETE SECTION SHALL BE MARKED ON THE INSIDE & OUTSIDE WITH "JENSEN PRECAST", THE DESIGNATION "DWI/FA-CN", AND THE DATE OF THE POUR.
- EACH CONCRETE SECTION SHALL HAVE CAST-IN ON THE INSIDE "JENSEN", THE YEAR, AND THE DESIGNATION "FA-CN".
- NO SHARP OR ROUGH EDGES ON THE TERMINATORS ENTERING THE VAULT.
- K45-VN12-12T VAULT NECK AND COVER, WITH APPROVED CAST IRON COVER TO BE USED WITH THIS VAULT.
- EACH PIECE TO BE STENCILLED WITH ITS PART NO.
- MINIMUM EXCAVATION SIZE: 10'-2" X 19'-2" X DEPTH REQ'D.
- DO NOT BREAK 18" X 18" KNOCKOUT UNTIL VAULT IS SET.

BILL OF MATERIALS

ITEM	UNIT QTY	QTY	PART NUMBER	DESCRIPTION	MASS (lb)
1	1	1	100009767	Tunnel Vault TV96112 End - Tongue 96Wx112Hx36L Knockout, Terminators LADWP H-171 BT	18179
2	1	1	200067669	Tunnel Vault TV96112 Extension 96Wx112Hx36L LADWP H-171	9920
3	1	1	100013011	Tunnel Vault TV96112 Center - Groove Groove 96Wx112Hx96L LADWP H-171	24934
4	1	1	100009765	Tunnel Vault TV96112 End - Tongue 96Wx112Hx36L Knockout, Terminators LADWP H-171 AT	18179
5	1	12	100007114	ROD THREADED COIL YELLOW DIP 3/4 X 20"	
6	1	24	100008121	WASHER 3X3X.5 W.875 HOLE GALV	
7	1	24	100007010	HEX COIL NUT 3/4-4.5 POST YELLOW DIP	
8	1,000 ul	1,000 ul	100005749	SEALANT JOINT BUTYL RUBBER ASTM C-990 AND M198 CS-102 1IN EQUIV X14.5FT PER BOX 118FT	
9	5,000 gal	5,000 gal	100006420	COATING PAINT LATEX WHITE	



ISO VIEW

LIFTING NOTES

■ THIS CONCRETE PRODUCT IS DESIGNED TO BE LIFTED WITH 4 EQUALLY LOADED RIGGINGS LEGS MIN. 90° SLING ANGLE, MEASURED FROM HORIZONTAL.	
BURY DEPTH:	1.0' - 4.0' to Top
WATER LEVEL:	3.0'
DESIGN SPEC:	ACI 318, ASTM C857
AGENCY:	LADWP
APPROX. WEIGHT:	71266.69 Lbs
LOADING SPEC:	AASHTO HL-93
AGENCY SPEC:	H-171 G-2-17' REV 33

REVISION HISTORY

REV	DESCRIPTION	DATE	APPROVED
C	ADDED THREADED METAL INSERT	12/18/2023	

DESCRIPTION:
Tunnel Vault Layout TV96112x17' Knockout, Terminators Ducted Sump 48"x60"E LADWP H-171 G-2-17'
REV 33 Int. Paint - White Latex

LAYOUT REVIEW

DRAWN BY: J. Rivas

MODIFIED: 12/18/2023

REV: C-127

SHEET: 1 OF 2

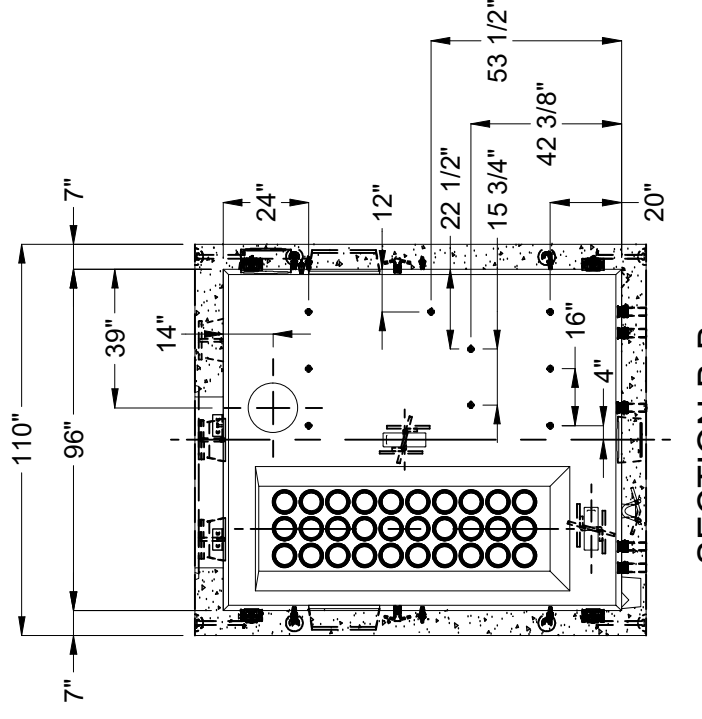


EST. 1968

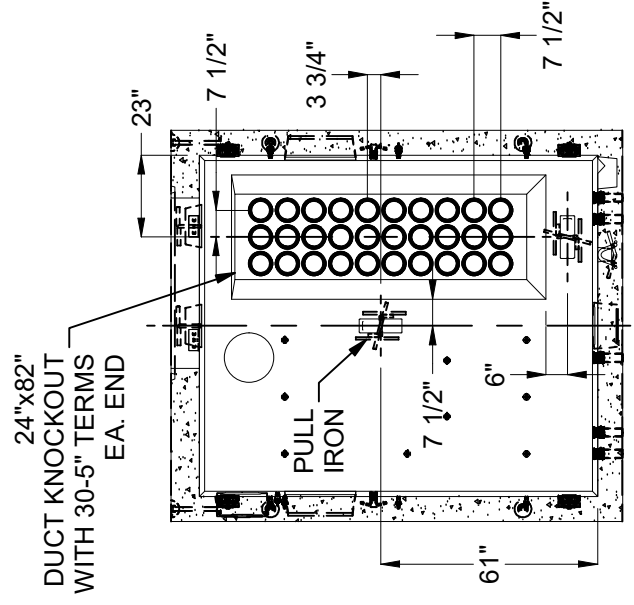
WWW.JENSENPRECAST.COM

©2023 Jensen Precast. All rights reserved. All materials appearing as Jensen Precast documents and the like are proprietary work product and are protected under U.S. copyright and other laws. Unless in conjunction with business conducted with Jensen Precast, any use of Jensen Precast work product without express, written consent is prohibited, and recipient is prohibited from distributing any and all work product to non-approved third parties under penalty of civil action.

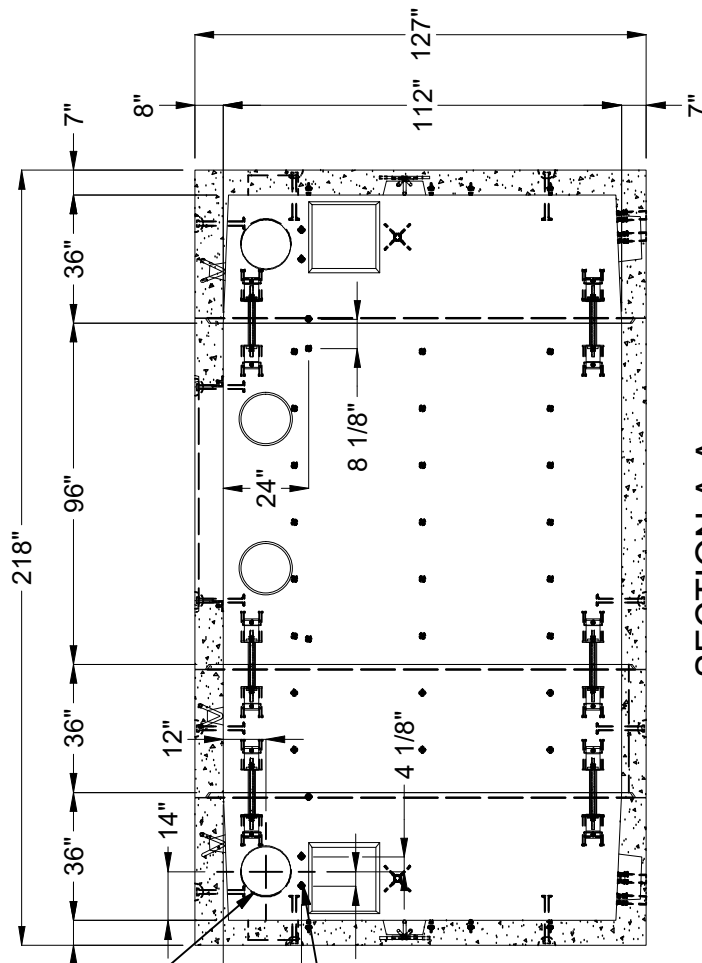
200067668.rvt



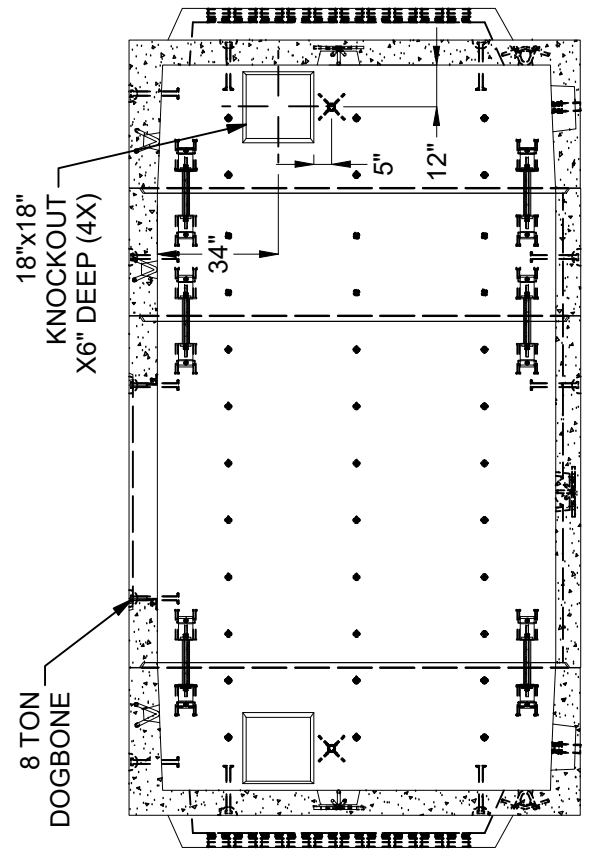
SECTION B-B



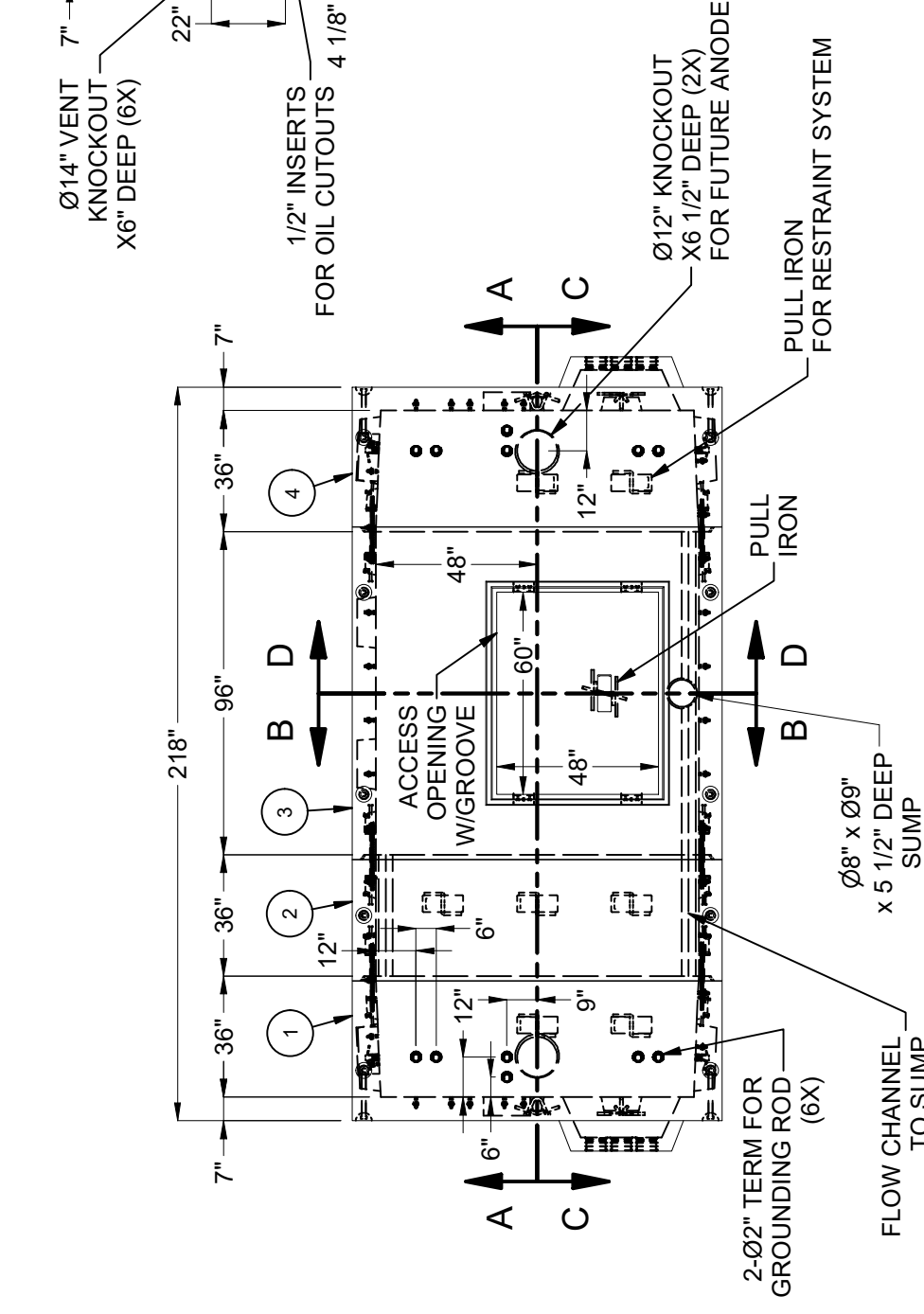
SECTION D-D



SECTION A-A



SECTION C-C



PLAN VIEW

BURY DEPTH:	1.0' - 4.0' to Top	DESCRIPTION:	Tunnel Vault Layout TV96112x17' Knockout, Terminators Ducted Sump 48"x60"E LADWP H-171 G-2-17'
WATER LEVEL:	3.0'	REV:	C-128
DESIGN SPEC:	ACI 318, ASTM C857	SHEET:	2 OF 2
AGENCY:	LADWP	DRAWN BY:	J. Rivas
APPROX. WEIGHT:	71266.69 Lbs	MODIFIED:	12/18/2023
LOADING SPEC:	AASHTO HL-93	CREATED:	10/17/2022
AGENCY SPEC:	H-171 G-2-17' REV 33	PART NUMBER:	200067668
		LAYOUT REVIEW	
		WWW.JENSENPRECAST.COM	

©2023 Jensen Precast. All rights reserved. All materials appearing as Jensen Precast documents and the like are proprietary work product and are protected under U.S. copyright and other laws. Unless in conjunction with business conducted with Jensen Precast, any use of Jensen Precast work product without express, written consent is prohibited, and recipient is prohibited from distributing any and all work product to non-approved third parties under penalty of civil action.