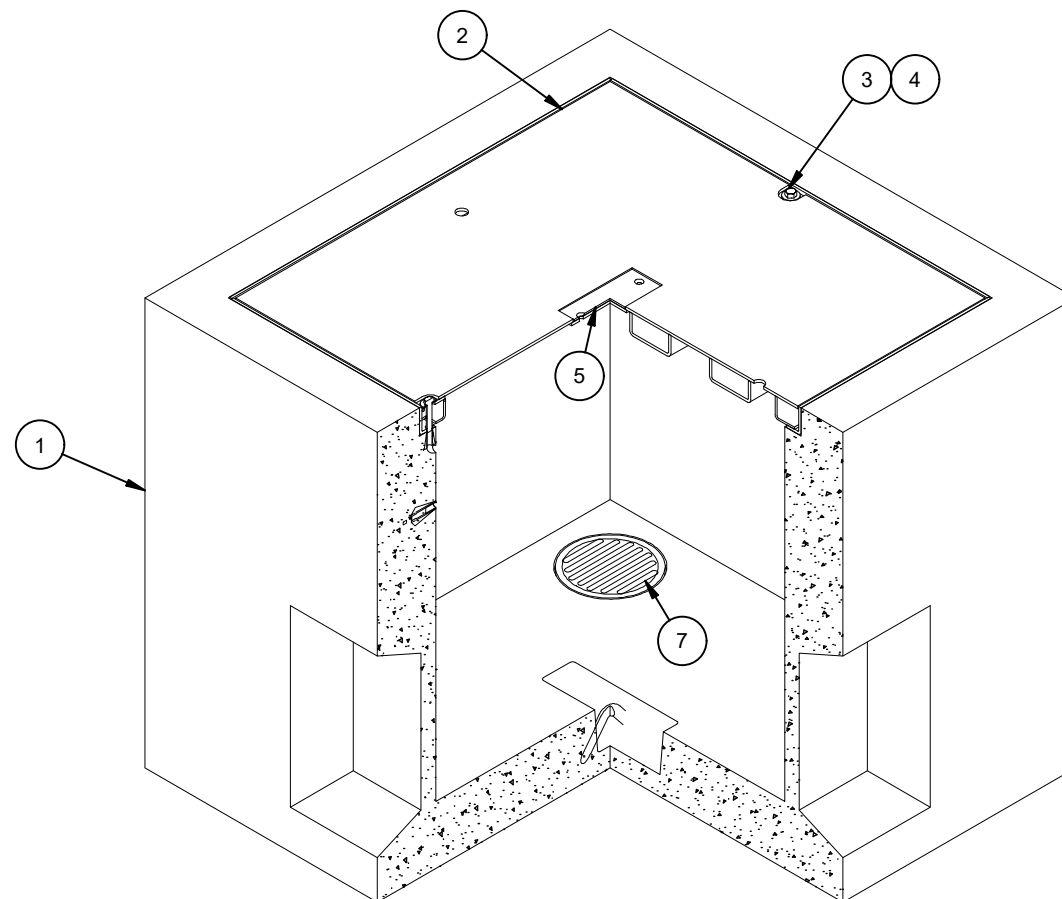


DESIGN NOTES

- DESIGNED IN ACCORDANCE WITH AASHTO HS20-44 TRAFFIC BRIDGE LOADING USING 5,500 PSI COMPRESSIVE STRENGTH CONCRETE AND 60,000 PSI YIELD STRENGTH ASTM A-706 STEEL REINFORCEMENT PER CALCS. #32351.
- COVER DESIGNED FOR (LEVEL 5), OFF-STREET TRAFFIC LOADING.
- MINIMUM EXCAVATION SIZE: 5'-0" X 5'-0" X DEPTH REQ'D.
- VAULT TO BE PLACED ON A MIN. 6" BASE OF CRUSHER RUN FOR EASE OF INSTALLATION AND EVEN LOAD DISTRIBUTION.
- ALL PARTS TO BE STENCILED: MFG DATE / JOB NUMBER / PRODUCT ID / WEIGHT.
- FOR COMPLETE DESIGN AND PRODUCT INFORMATION CONTACT JENSEN PRECAST.

BILL OF MATERIALS

ITEM	UNIT QTY	QTY	PART NUMBER	DESCRIPTION	MASS (lb)
1	1	1	100012167	Vault 3636x36 Rect. Bottom Section Knockout Sump Cast-In Frame	3914
2	1	1	100006652	DAS1-SD-3636-D5-DP-G-FONT-(SC3636-TGV)	215
3	1	2	100004349	BOLT HEX 1/2-13 UNC 2.5 304SS	
4	1	2	100007135	WASHER FLAT 1/2 REGULAR TYPE A 304SS	
5	1	1	100006739	FONTANA NAME PLATE SS BLANK	
6	1	1	100007650	NAME PLATE HARDWARE KIT	
7	1	1	100006853	CI GRATE 8DIA ALHAMBRA A-2020	
8	1.000 ul	1.000 ul	100005749	SEALANT JOINT BUTYL RUBBER ASTM C-990 AND M198 CS-102 1IN EQUIV X14.5FT PER BOX 118FT	



ISO VIEW

LIFTING NOTES

- FIELD INSTALLATION: PLANT DEMOLDING: MINIMUM HANDLING CONCRETE STRENGTH F'c = 5500 PSI RIGGING EQUALIZER REQUIRED TO EQUALIZE LOAD TO 4 LIFTING POINTS WITH A SLING ANGLE BETWEEN 60° AND 90°

BURY DEPTH:	0.0' - 0.0' to Top		
WATER LEVEL:	3.0'	APPROX. WEIGHT:	4147.44 Lbs
DESIGN SPEC:	ACI 318, ASTM C857	LOADING SPEC:	A-16 (AASHTO HS20-44)
AGENCY:	AGENCY SPEC:		

JENSEN PRECAST EST. 1968
WWW.JENSENPRECAST.COM

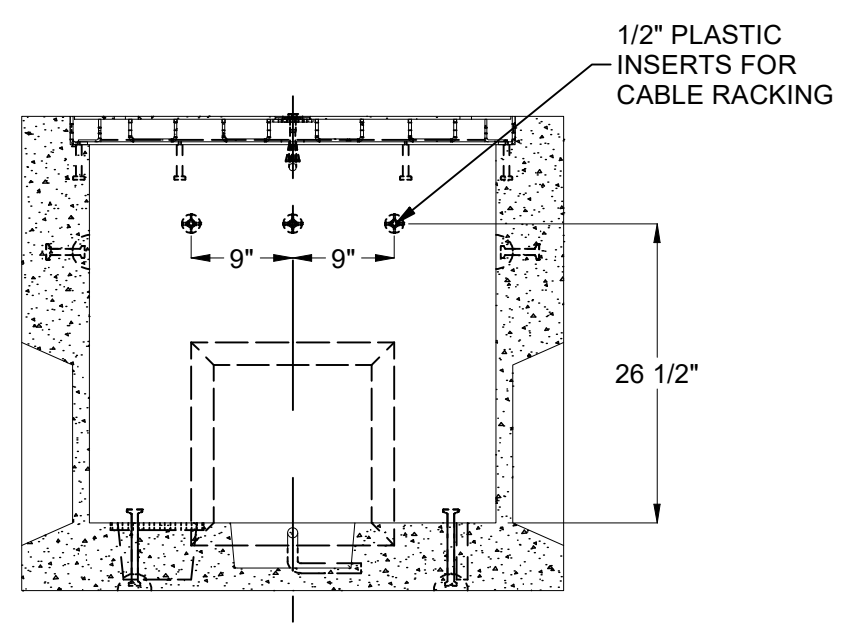
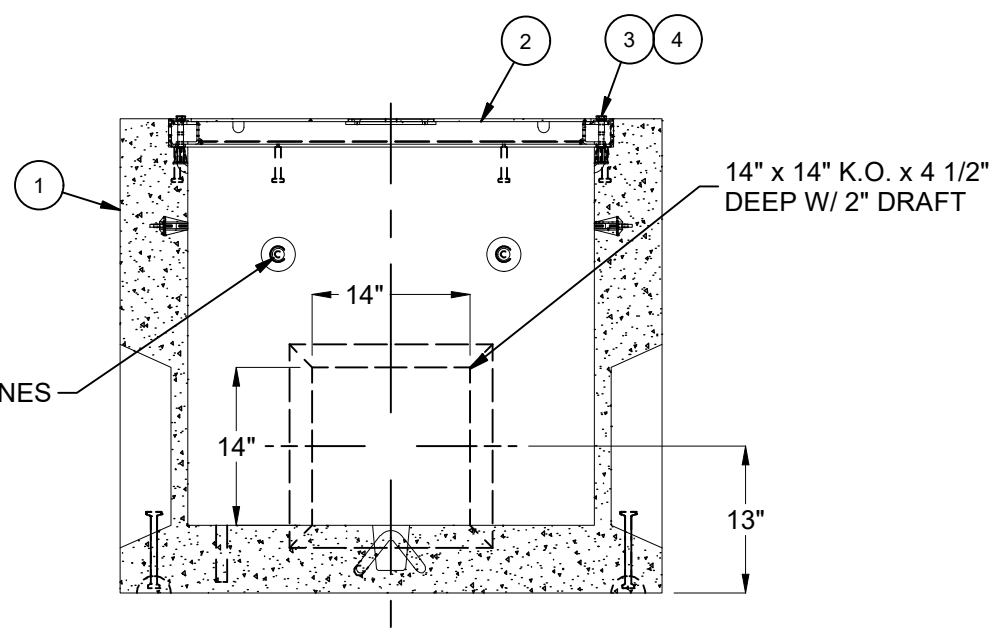
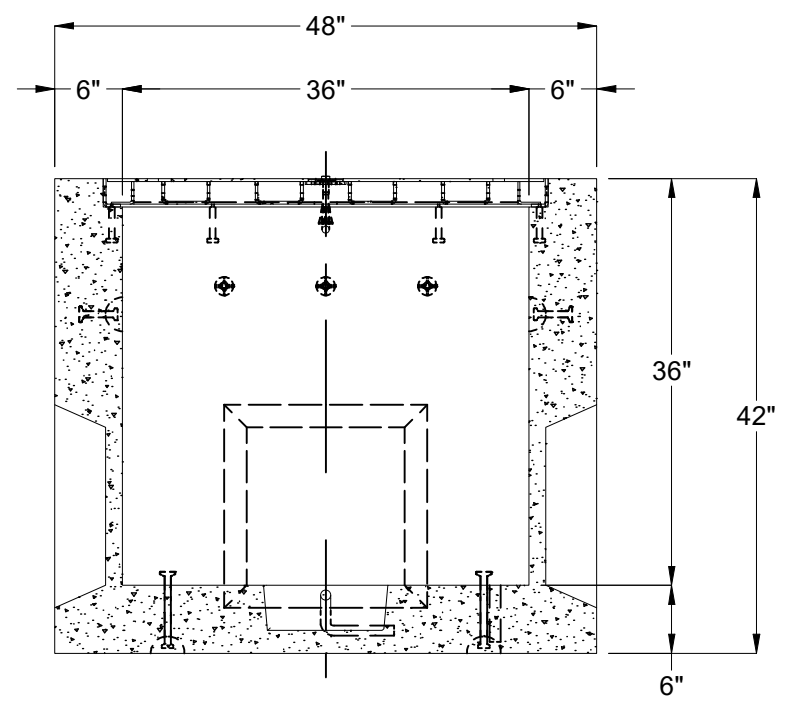
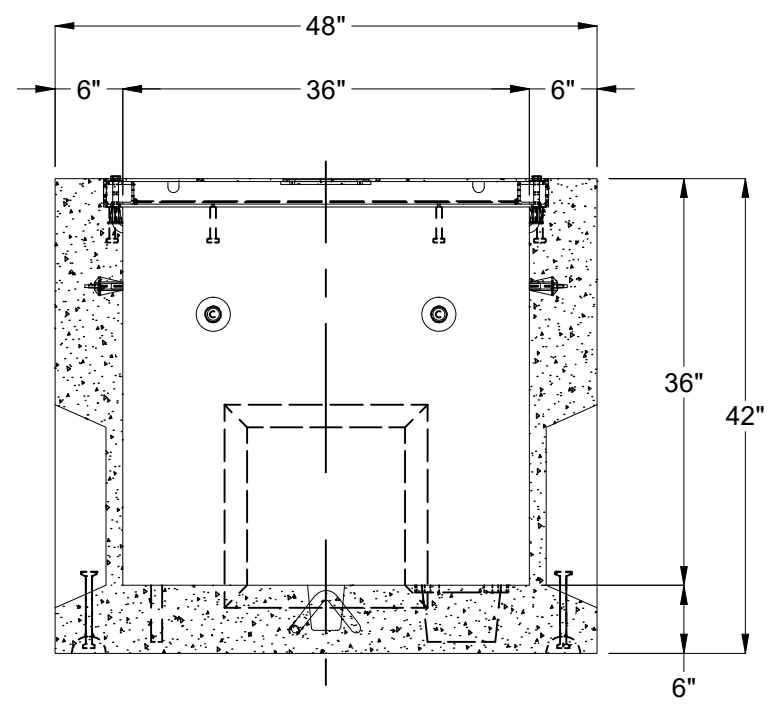
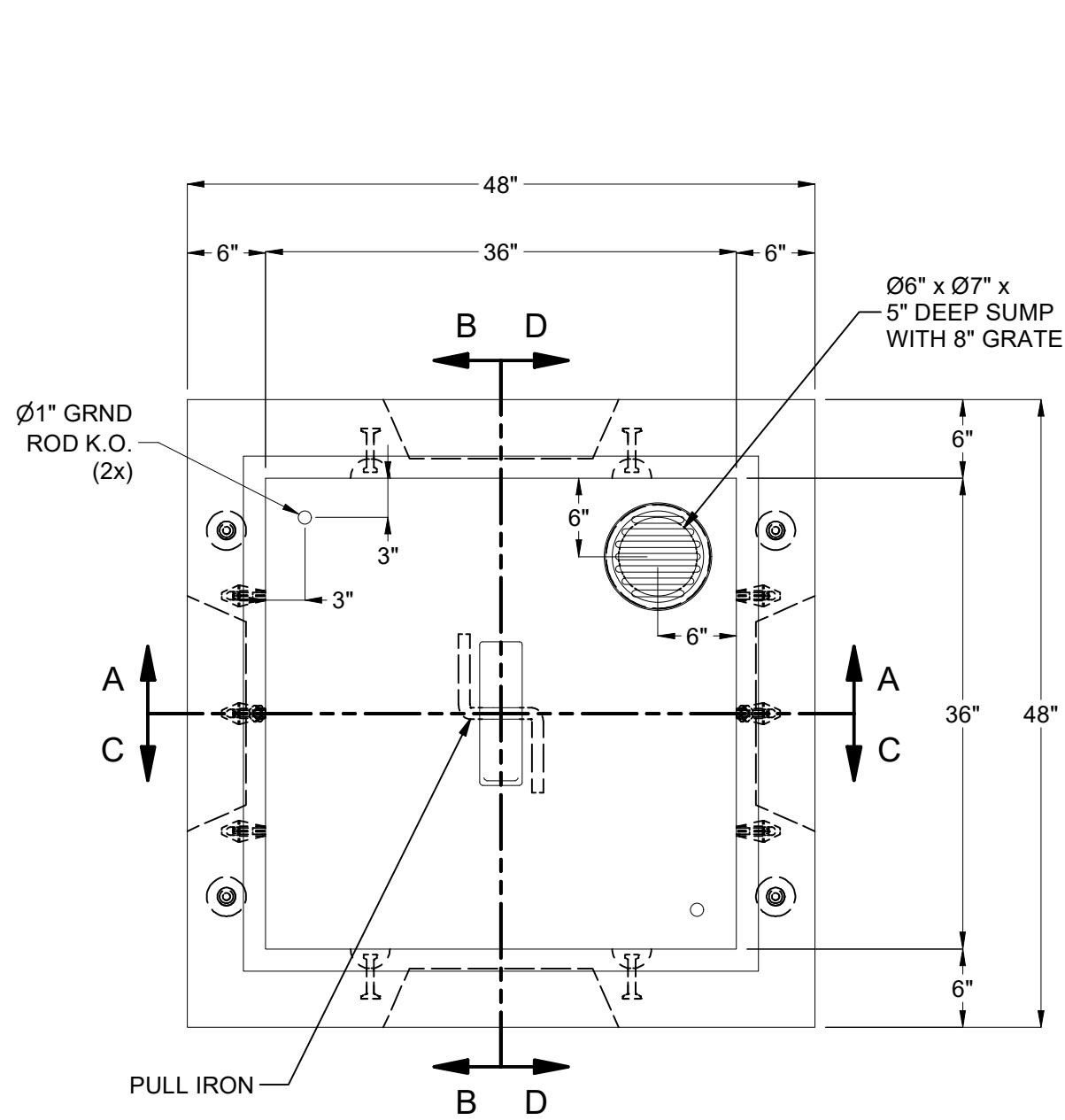
©2023 Jensen Precast- All rights reserved. All materials appearing as Jensen Precast documents and the like are proprietary work product and are protected under U.S. copyright and other laws. Unless in conjunction with business conducted with Jensen Precast, any use of Jensen Precast work product without express, written consent is prohibited, and recipient is prohibited from distributing any and all work product to non-approved third parties under penalty of civil action.

REVISION HISTORY

REV	DESCRIPTION	DATE	APPROVED
B	REVISED TO STARIGHT WALLS	2/14/2023	

DESCRIPTION:		Vault 3636 Layout Assembly x 36" Bolt Down, Traffic, Galv.		REV:	B-1
LAYOUT REVIEW				SHEET:	
PART NUMBER:	200071548	DRAWN BY:	J. Prado	1 OF 2	
CREATED:	1/10/2023	MODIFIED:	2/14/2023		

200071548.rdw



200071548.rdw

BURY DEPTH:	0.0' - 0.0' to Top
WATER LEVEL:	3.0'
DESIGN SPEC:	ACI 318, ASTM C857
AGENCY:	
APPROX. WEIGHT:	4147.44 Lbs
LOADING SPEC:	A-16 (AASHTO HS20-44)
AGENCY SPEC:	

JENSEN PRECAST EST. 1968

WWW.JENSENPRECAST.COM

©2023 Jensen Precast- All rights reserved. All materials appearing as Jensen Precast documents and the like are proprietary work product and are protected under U.S. copyright and other laws. Unless in conjunction with business conducted with Jensen Precast, any use of Jensen Precast work product without express, written consent is prohibited, and recipient is prohibited from distributing any and all work product to non-approved third parties under penalty of civil action.

DESCRIPTION:	Vault 3636 Layout Assembly x 36" Bolt Down, Traffic, Galv.	
	LAYOUT DRAWING	
PART NUMBER:	200071548	DRAWN BY: J. Prado
CREATED:	1/10/2023	MODIFIED: 2/14/2023

REV:	B-1
SHEET:	2 OF 2