

DESIGN NOTES

- DESIGNED IN ACCORDANCE WITH AASHTO HS20-44 TRAFFIC BRIDGE LOADING USING 6,000 PSI COMPRESSIVE STRENGTH CONCRETE AND 60,000 PSI YIELD STRENGTH ASTM A-706 STEEL REINFORCEMENT PER CALCS. #34563.
- COVER DESIGN FOR HS20 TRAFFIC LOADING
- MINIMUM EXCAVATION SIZE: 6' 0" X 8' 6" X DEPTH REQ'D.
- VAULT TO BE PLACED ON A MIN. 6" BASE OF CRUSHER RUN FOR EASE OF INSTALLATION AND EVEN LOAD DISTRIBUTION.
- EXTERIOR SURFACES OF STRUCTURE(S) SHALL BE COATED WITH IMRAE COATMASTERS 7007.
- STRUCTURES TO BE STENCILED, "JENSEN PRECAST", WITH "TIME" AND "DATE OF POUR", AND SDGE STOCK NUMBER ON EXTERIOR AND INTERIOR WALLS.
- STENCIL "GND" IN RED LETTERS
- FOR COMPLETE DESIGN AND PRODUCT INFORMATION CONTACT JENSEN PRECAST.

CROSS REFERENCE

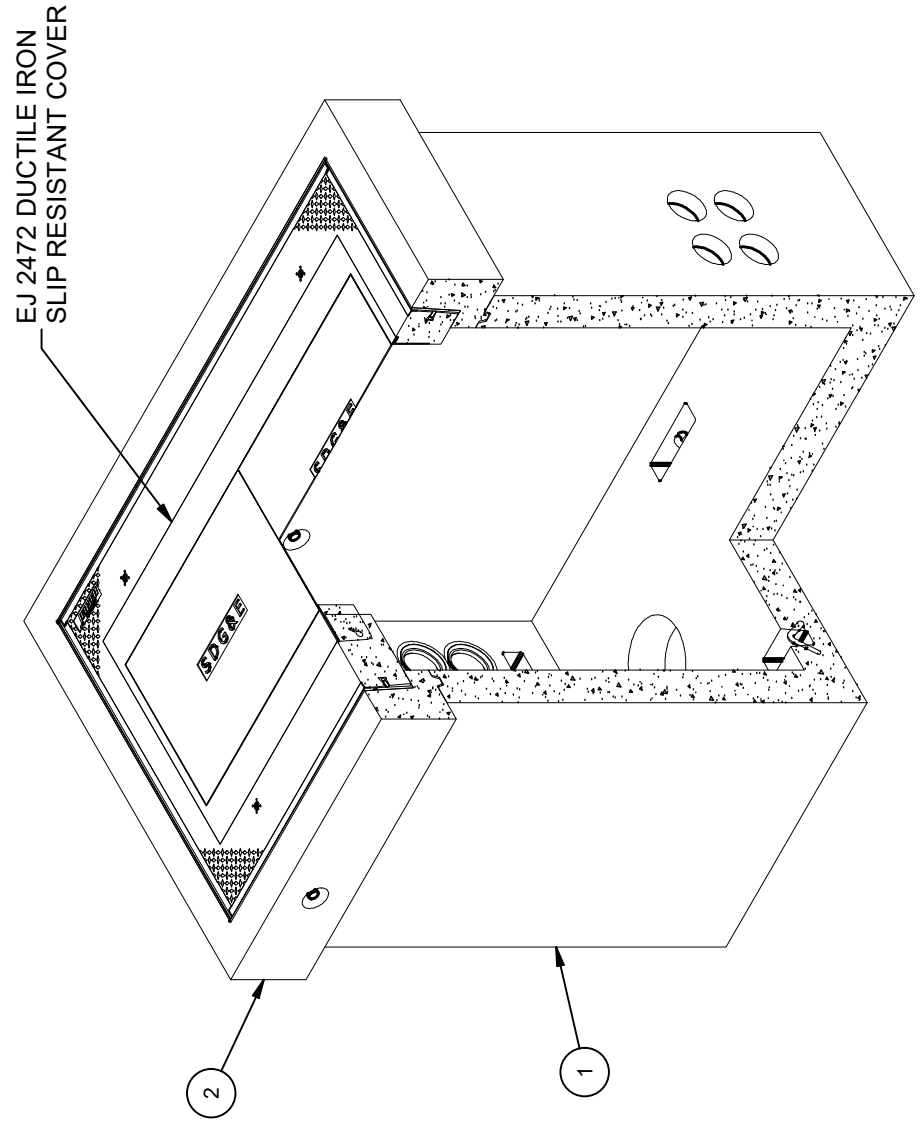
JENSEN PART No.	SHORT DESCRIPTION	SDGE STOCK No.
100012989	3315 60" Base section	S334536
200044340	3315 Intermediate 12"	S336246
200070177	3315 HS20 Traffic Loading	S400328
200070189	3315 Traffic Neck	S287738
200074182	3315 Complete	S400332

LIFTING NOTES

- INSTALLATION: THIS CONCRETE PRODUCT IS DESIGNED TO BE LIFTED AT 6,000 PSI WITH 4 LIFT CONNECTIONS EQUALLY LOADED TO 4 LIFTING POINTS AT A MINIMUM 60° SLING ANGLE, MEASURED FROM HORIZONTAL.
- BURY DEPTH: 0.0' - 0.0' to Top
- WATER LEVEL: 3.0' APPROX. WEIGHT: 16586.46 Lbs
- DESIGN SPEC: ACI 318, ASTM C857 LOADING SPEC: A-16 (AASHTO HS20-44)
- AGENCY: SDGE AGENCY SPEC: 3315

BILL OF MATERIALS

ITEM	UNIT QTY	QTY	PART NUMBER	DESCRIPTION	MASS (lb)
1	1	1	100012989	Vault 4878x60 Rect. Bottom Section Terminators Sump SDGE 3315	11546
2	1	1	200074181	Vault Neck and Plug Cover 60102x12 Assembly 24"x72"C SDGE 3315	5041
3	5.250 gal	5.250 gal	100038043	COATING WATERPROOFING CoatMasters CM7007 IMRAE	
4	1.000 ul	1.000 ul	100005749	SEALANT JOINT BUTYL RUBBER ASTM C-990 AND M198 CS-102 1IN EQUIV X14.5FT PER BOX 118FT	



ISO VIEW

REVISION HISTORY

REV	DESCRIPTION	DATE	APPROVED
A	INITIAL RELEASE	3/29/2023	

DESCRIPTION:

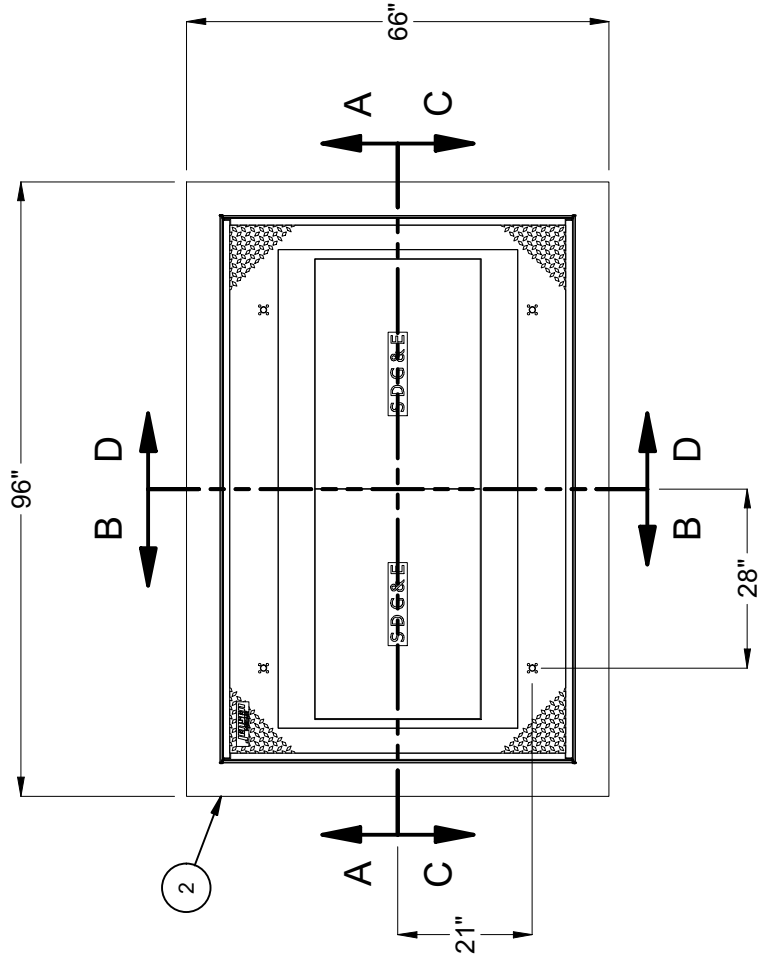
Vault 4878x64 Layout Assembly 24"x72"C SDGE 3315 Ext. Coating - IMRAE CoatMasters CM7007
PART NUMBER: 200074182
CREATED: 3/29/2023
REV: A-2
SHEET: 25
1 OF 2

©2023 Jensen Precast. All rights reserved. All materials appearing as Jensen Precast documents and the like are proprietary work product and are protected under U.S. copyright and other laws. Unless in conjunction with business conducted with Jensen Precast, any use of Jensen Precast work product without express, written consent is prohibited, and recipient is prohibited from distributing any and all work product to non-approved third parties under penalty of civil action.

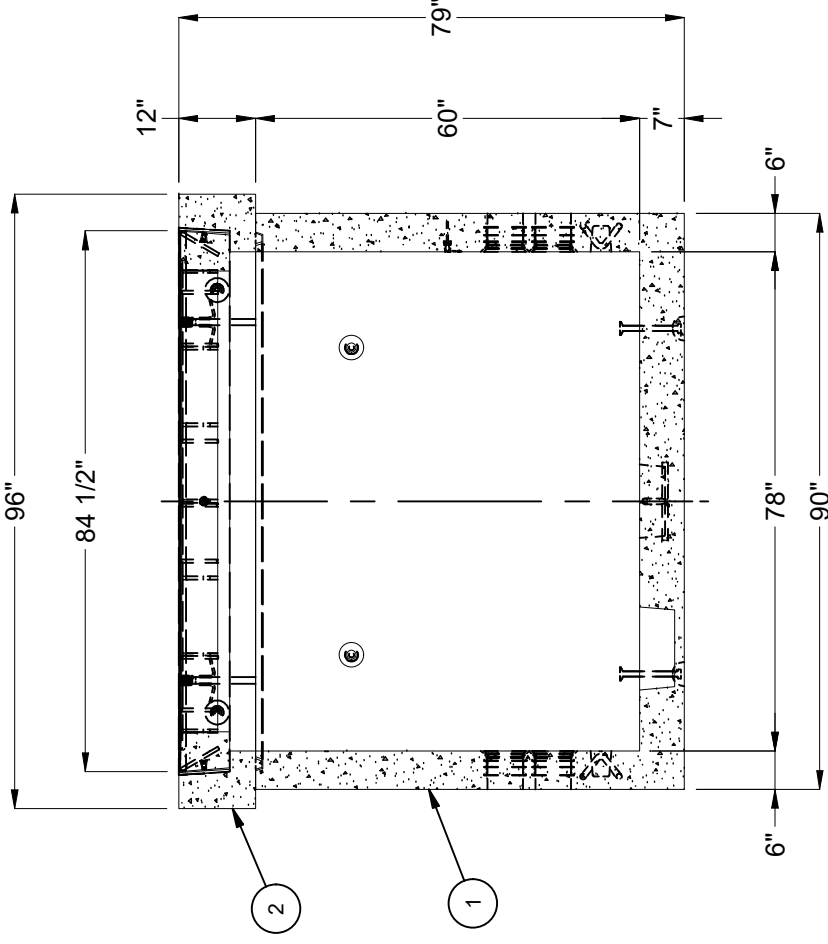


EST. 1968

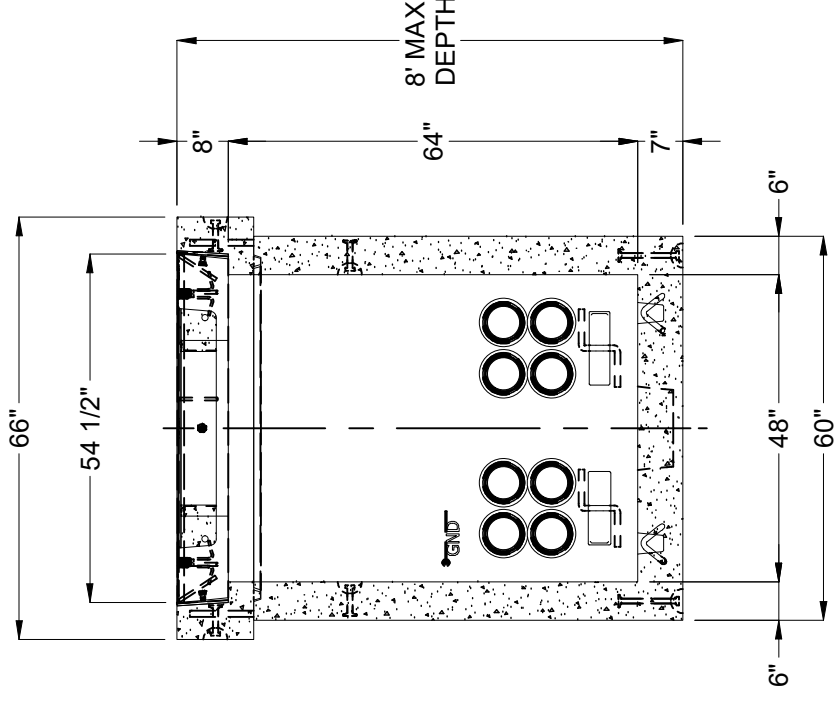
WWW.JENSENPRECAST.COM



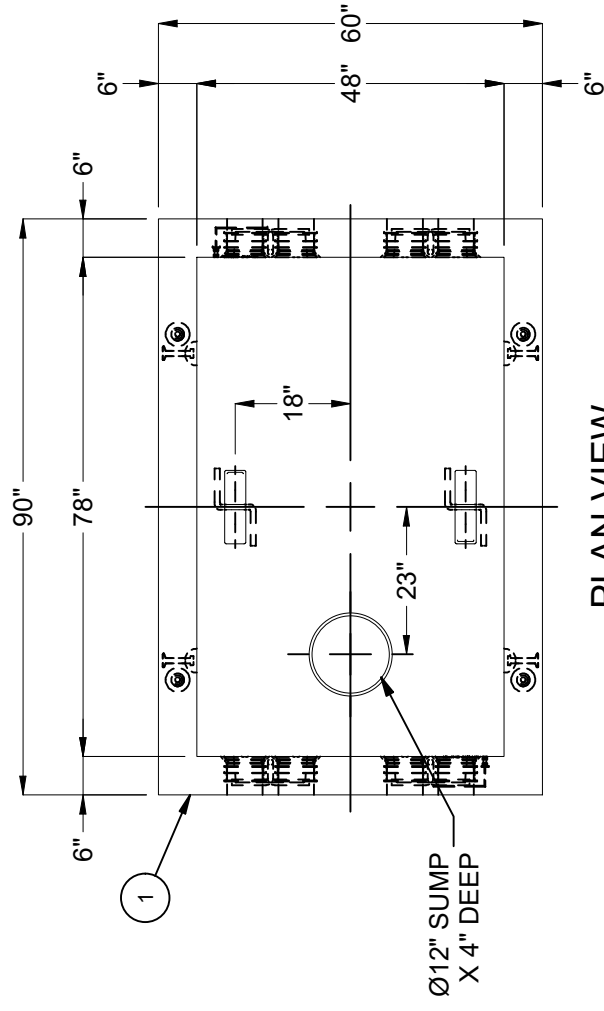
PLAN VIEW
NECK & COVER



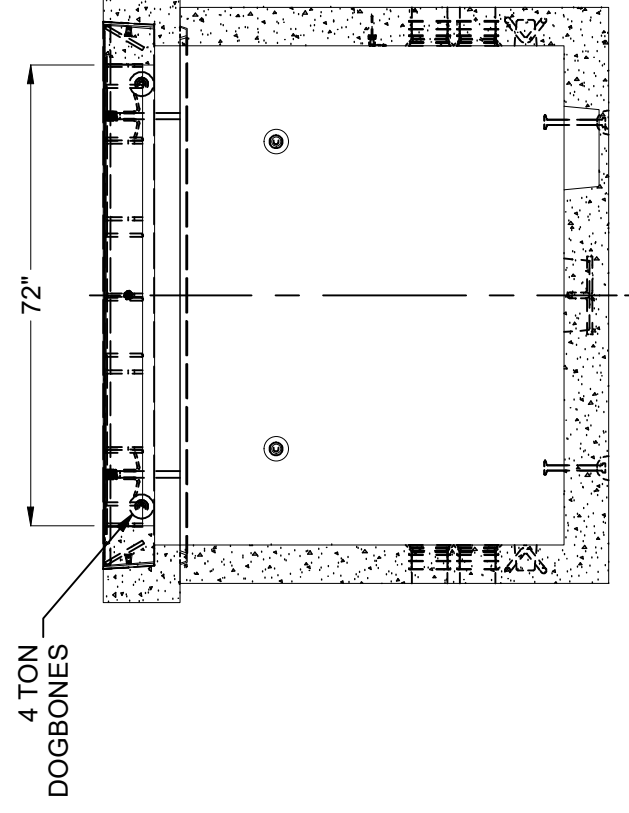
SECTION A-A



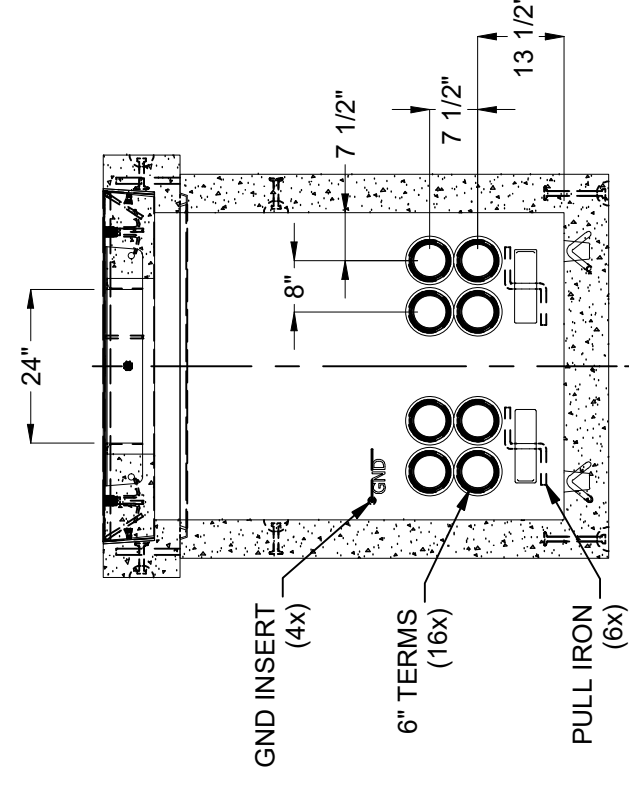
SECTION B-B



PLAN VIEW
ENCLOSURE W/O NECK & COVER



SECTION C-C



SECTION D-D

BURY DEPTH:	0.0' - 0.0' to Top		
WATER LEVEL:	3.0'	APPROX. WEIGHT:	16586.46 Lbs
DESIGN SPEC:	ACI 318, ASTM C857	LOADING SPEC:	A-16 (AASHTO HS20-44)
AGENCY:	SDGE	AGENCY SPEC:	3315

JENSEN PRECAST EST. 1968
WWW.JENSENPRECAST.COM

©2023 Jensen Precast. All rights reserved. All materials appearing as Jensen Precast documents and the like are proprietary work product and are protected under U.S. copyright and other laws. Unless in conjunction with business conducted with Jensen Precast, any use of Jensen Precast work product without express, written consent is prohibited, and recipient is prohibited from distributing any and all work product to non-approved third parties under penalty of civil action.

DESCRIPTION:	Vault 4878x64 Layout Assembly 24" x 72" C SDGE 3315 Ext. Coating - IMRAE CoatMasters CM7007		
PART NUMBER:	200074182	LAYOUT DRAWING	DRAWN BY: J. Prado
CREATED:	3/29/2023	MODIFIED:	3/29/2023