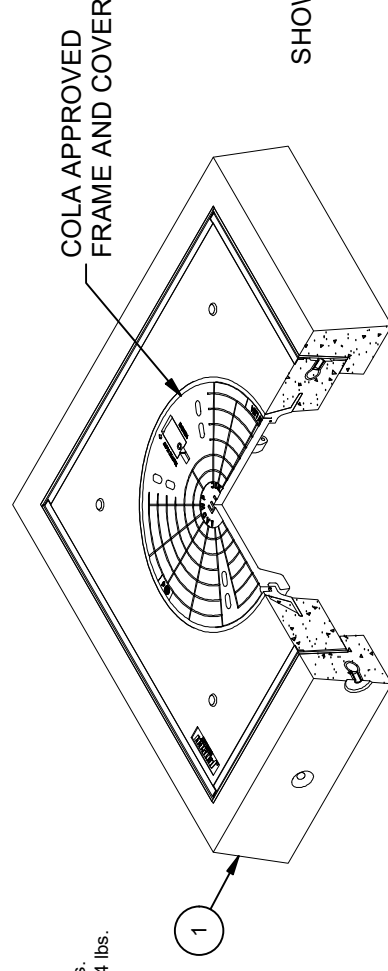


BILL OF MATERIALS

ITEM	QTY	PART NUMBER	DESCRIPTION	MASS (lb)
1	1	200074274	Vault Neck and Plug Cover Assembly 4848x12 30°C LADWP 1-802 G-1B COLA INSP EM3 PI	3262
2	4	100009239	ROD THREADED COIL YELLOW DIP 3/4 X 10-1/2	
3	8	100007010	HEX COIL NUT 3/4-4.5 POST YELLOW DIP	
4	8	100007136	WASHER FLAT 3/4 REGULAR TYPE A ZINC	

EXTENSIONS ARE AVAILABLE IN THE FOLLOWING SIZES:

- A. 100012395 (VN44-R6-12), 6" EXTENSION SECTION WT. 802 lbs.
- B. 100012393 (VN44-R12-12), 12" EXTENSION SECTION WT. 1604 lbs.



**STOCKPILE - JENSEN PRECAST
CITY OF LOS ANGELES INSPECTION
REQUIRED WO# C0034604**

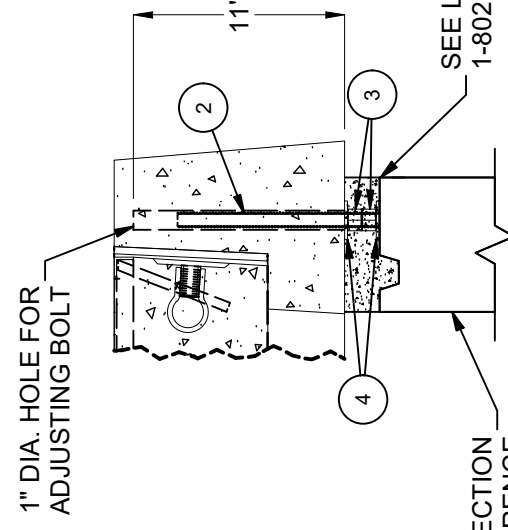
NOTES:

- STANDARDS. AASHTO LRFD BRIDGE DESIGN SPECIFICATIONS, 8TH EDITION, WITH 2022 CALTRANS AMENDMENTS, CITY OF LOS ANGELES BUREAU OF ENGINEERING STANDARD PLAN S-601-3, P178-R8 WHERE APPLICABLE, MANUAL PART H, ASTM C-857. STRUCTURAL CALCS. #33389 & 33389B.
- MATERIAL. CONCRETE, F_c=5,500 PSI. MIX TO INCLUDE FLY ASH AND DGI. REINFORCEMENT PER ASTM A-706, F_y=60,000.
- LOADS. VERTICAL LIVE LOAD: AASHTO HL-93, INCLUDING GREATER OF HS-20 TRUCK, TANDEM, OR PERMIT. LIVE LOAD SURCHARGE PER LA BOE PART H, FIGURE H 374.2A. SOIL LATERAL LOADS: 40 PCF (DRY), 81 PCF (SATURATED). SEE VAULT OR MANHOLE DRAWING FOR SOIL BEARING CAPACITY INFORMATION. DESIGN SOIL DENSITY IS 120 PCF.
- LOADS NOT INCLUDED. DESIGN DOES NOT INCLUDE COOPER E-80 RAILROAD LOADS OR LATERAL OR SURCHARGE LOADS THAT ARE PRODUCED BY FOOTING OR FOUNDATIONS ADJACENT TO THE STRUCTURE. THIS SUBSTRUCTURE SHALL BE KEPT AT LEAST IN A 1:1 RATIO AWAY FROM ALL FOOTINGS AND FOUNDATIONS, UNLESS THE ENGINEER OF RECORD APPROVES IN WRITING.
- INSTALLATION LIMITS OF CONCRETE EXTENSIONS IS 5'-0" DEEP.
- EACH CONCRETE SECTION SHALL BE MARKED ON THE INSIDE & OUTSIDE WITH "JENSEN PRECAST", THE DESIGNATION "DWI/FA-CN" AND THE DATE OF THE POUR.
- "JENSEN", THE YEAR, AND THE DESIGNATION "FA-CN" SHALL BE CAST IN THE TOP OF THE NECK, THE SIDE OF THE COVER, AND ON THE INSIDE OF THE EXTENSIONS.
- EACH PIECE TO BE STENCILLED WITH ITS PART NO.
- BROOM FINISH ON COVER MUST HAVE AND MAINTAIN A MINIMUM OF 0.6 SLIP RESISTANCE AND/OR 0.35 SKID RESISTANCE PER S-601-3.
- EXTENSIONS MAY BE REUSED IF UNDAMAGED.
- ADDITIONAL SUBMITTAL, PERMIT AND CONSTRUCTION PLAN REVIEW WILL BE REQUIRED FOR EACH PROJECT LOCATION. SUBMIT TO CITY ENGINEER FOR APPROVAL PRIOR TO START OF ANY CONSTRUCTION.
- ALL INSTALLATIONS SHALL COMPLY WITH ALL OTHER LOCAL GOVERNING CODES AND REGULATIONS INCLUDING CALIFORNIA PUBLIC UTILITIES COMMISSION REGULATIONS.
- INSTALLATION OF NECK AND EXTENSIONS PER LADWP 1-802.

BURY DEPTH:	0.0' - 0.0' to Top
WATER LEVEL:	3.0'
DESIGN SPEC:	AASHTO LRFD
AGENCY:	LADWP
APPROX. WEIGHT:	3268.34 Lbs
LOADING SPEC:	AASHTO HL-93
AGENCY SPEC:	1-802 G-1B COLA INSP EM3 PI

JENSEN PRECAST EST. 1968
WWW.JENSENPRECAST.COM

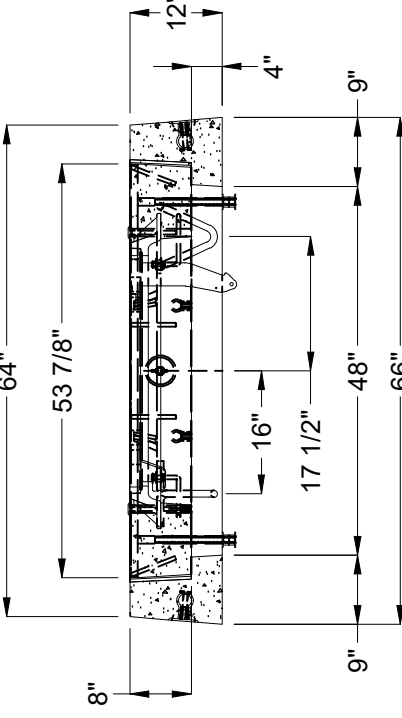
©2023 Jensen Precast. All rights reserved. All materials appearing as Jensen Precast documents and the like are proprietary work product and are protected under U.S. copyright and other laws. Unless in conjunction with business conducted with Jensen Precast, any use of Jensen Precast work product without express, written consent is prohibited, and recipient is prohibited from distributing any and all work product to non-approved third parties under penalty of civil action.



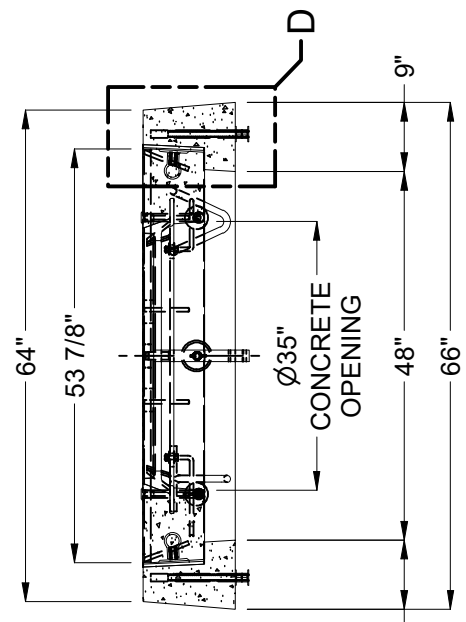
DETAIL D
IF NEEDED TO ADJUST TO FINISH GRADE

SEE LADWP'S STANDARD 1-802

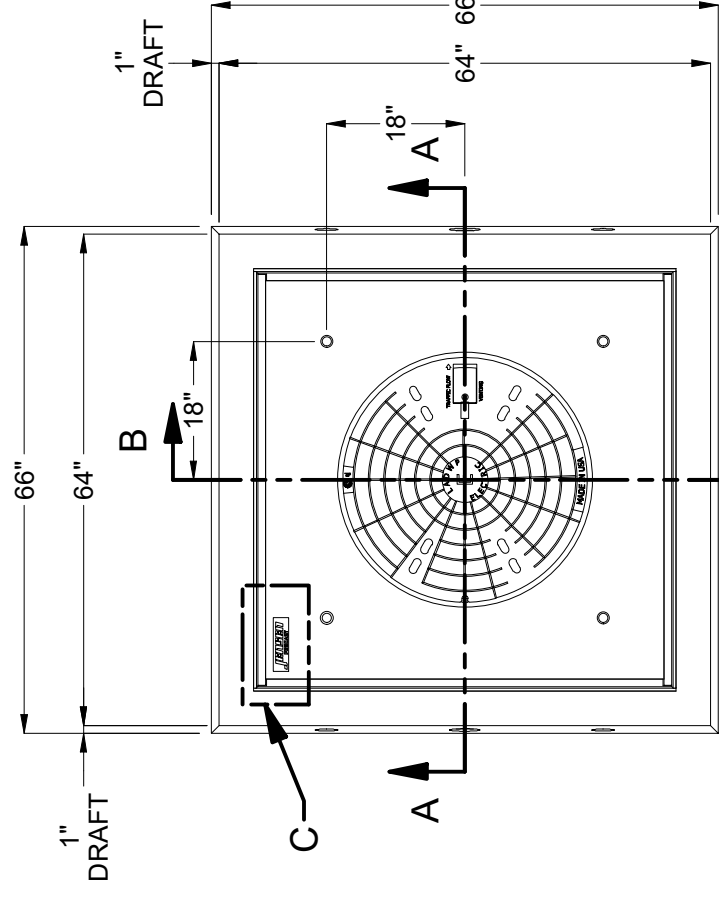
RISER SECTION SHOWN FOR REFERENCE



SECTION A-A

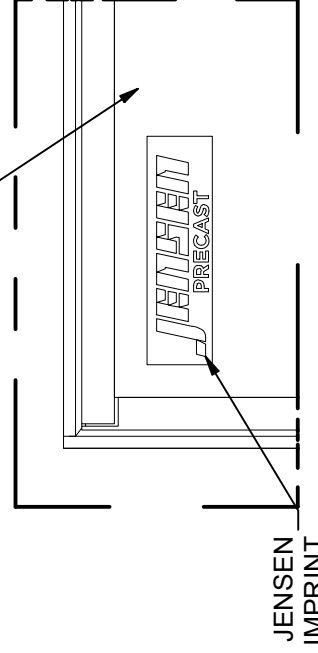


SECTION B-B



PLAN VIEW

CONCRETE TOP SURFACE TO HAVE BROOM FINISH



DETAIL C

REVISION HISTORY			
REV	DESCRIPTION	DATE	APPROVED
A-2	INITIAL RELEASE	11/6/2023	

DESCRIPTION:	Vault Neck and Plug Cover Layout 4848x12 30°C LADWP 1-802 G-1B COLA INSP EM3 PI
PART NUMBER:	200074273
CREATED:	4/3/2023
LAYOUT REVIEW	J. Prado
MODIFIED:	11/6/2023
REV:	A-3
SHEET:	26
1 OF 1	