

DESIGN NOTES

- DESIGNED IN ACCORDANCE WITH AASHTO H-20-44 TRAFFIC BRIDGE LOADING USING 6,000 PSI COMPRESSIVE STRENGTH CONCRETE AND 60,000 PSI YIELD STRENGTH ASTM A-706 STEEL REINFORCEMENT PER CALCS. #31715.
- COVER DESIGN FOR PARKWAY 300 PSF LOADING
- MINIMUM EXCAVATION SIZE: 5'-4" X 9'-6" X DEPTH REQ'D.
- VAULT TO BE PLACED ON A MIN. 6" BASE OF CRUSHER RUN FOR EASE OF INSTALLATION AND EVEN LOAD DISTRIBUTION.
- EXTERIOR SURFACES OF STRUCTURE(S) SHALL BE COATED WITH CoatMasters CM7007 IMRAE.
- STRUCTURES TO BE STENCILED, "JENSEN PRECAST", WITH "TIME" AND "DATE OF POUR", AND SDGE STOCK NUMBER ON EXTERIOR AND INTERIOR WALLS.
- STENCIL "GND" IN RED LETTERS
- FOR COMPLETE DESIGN AND PRODUCT INFORMATION CONTACT JENSEN PRECAST.

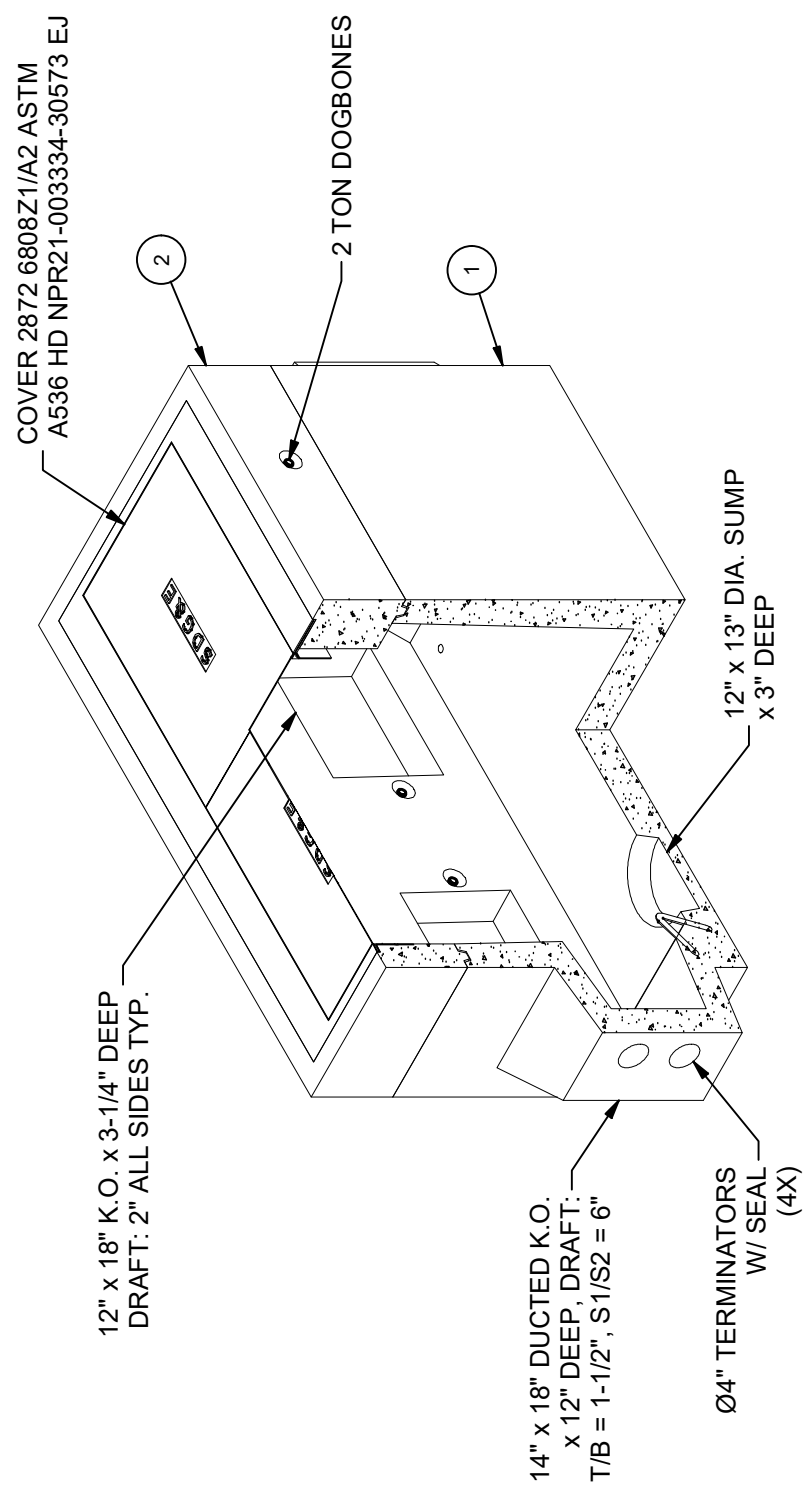
CROSS REFERENCE	
JENSEN PART No.	SDGE STOCK No.
100012253	3314 36" Base section S162680
200058094	3314 12" Top Section With Frame S286758

LIFTING NOTES

- FIELD INSTALLATION: PLANT DEMOLING: MINIMUM HANDLING CONCRETE STRENGTH F_c = 5500 PSI RIGGING EQUALIZER REQUIRED TO EQUALIZE LOAD TO 4 LIFTING POINTS WITH A SLING ANGLE BETWEEN 60° AND 90°
- BURY DEPTH: 0.0' - 0.0' to Top
- WATER LEVEL: 3.0'
- APPROX. WEIGHT: 7595.41 Lbs
- DESIGN SPEC: ACI 318, ASTM C857
- LOADING SPEC: A-16 (AASHTO HS20-44)
- AGENCY: SDGE
- AGENCY SPEC: 3314

BILL OF MATERIALS

ITEM	UNIT QTY	QTY	PART NUMBER	DESCRIPTION	MASS (lb)
1	1	1	100012253	Vault 3672x36 Rect. Bottom Section Terminators Ducted, Sump SDGE 3314	4822
2	1	1	200058094	Top Riser 3672x12 Cast-In Cover SDGE 3314	2774
3	3.000 gal	3.000 gal	100038043	COATING WATERPROOFING CoatMasters CM7007 IMRAE	
4	1.000 ul	1.000 ul	100005749	SEALANT JOINT BUTYL RUBBER ASTM C-990 AND M198 CS-102 1IN EQUIV X14.5FT PER BOX 118FT	



ISO VIEW

REVISION HISTORY

REV	DESCRIPTION	DATE	APPROVED
B	UPDATED LAYOUT DRAWING & ADDED EXTERIOR COATING	11/21/2023	

DESCRIPTION:
Vault Layout 3672x48 Terminators Ducted 28"x72"C SDGE 3314 Ext. Coating - IMRAE CoatMasters CM7007

LAYOUT REVIEW

REV: B-1
SHEET: 16
1 OF 2

PART NUMBER: 200081527
DRAWN BY: J. Prado
MODIFIED: 10/19/2023
CREATED: 11/21/2023

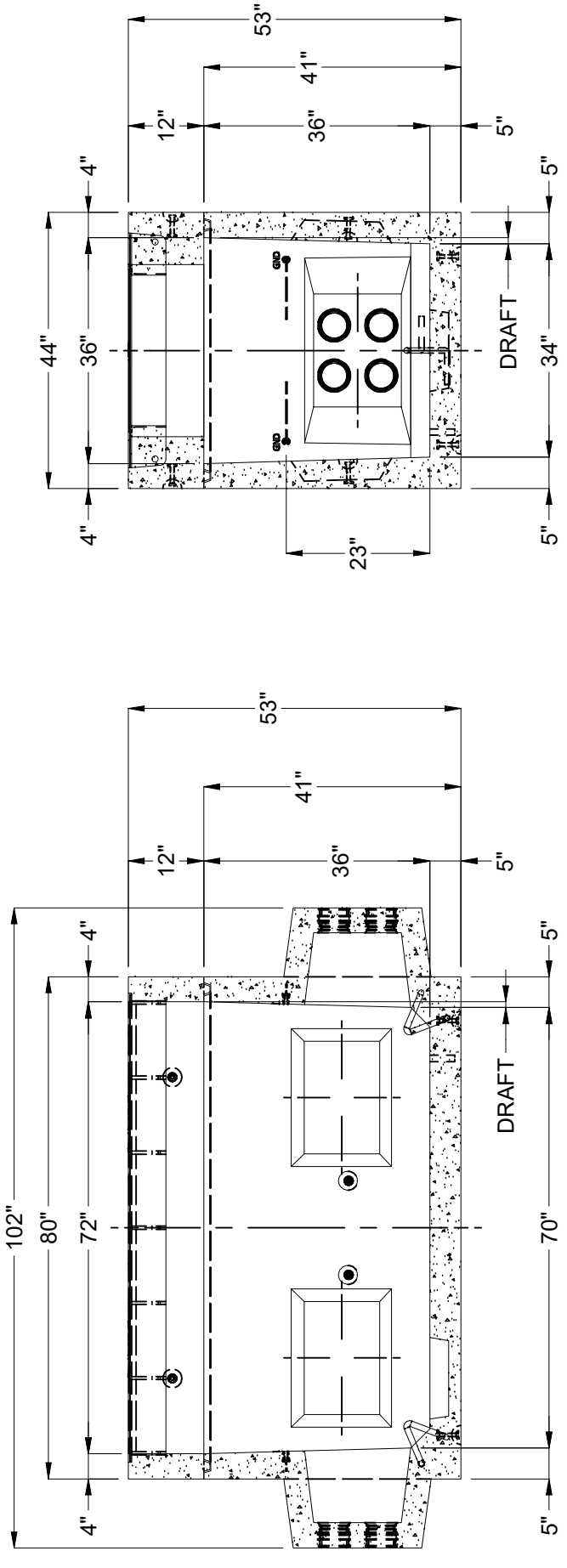


EST. 1968

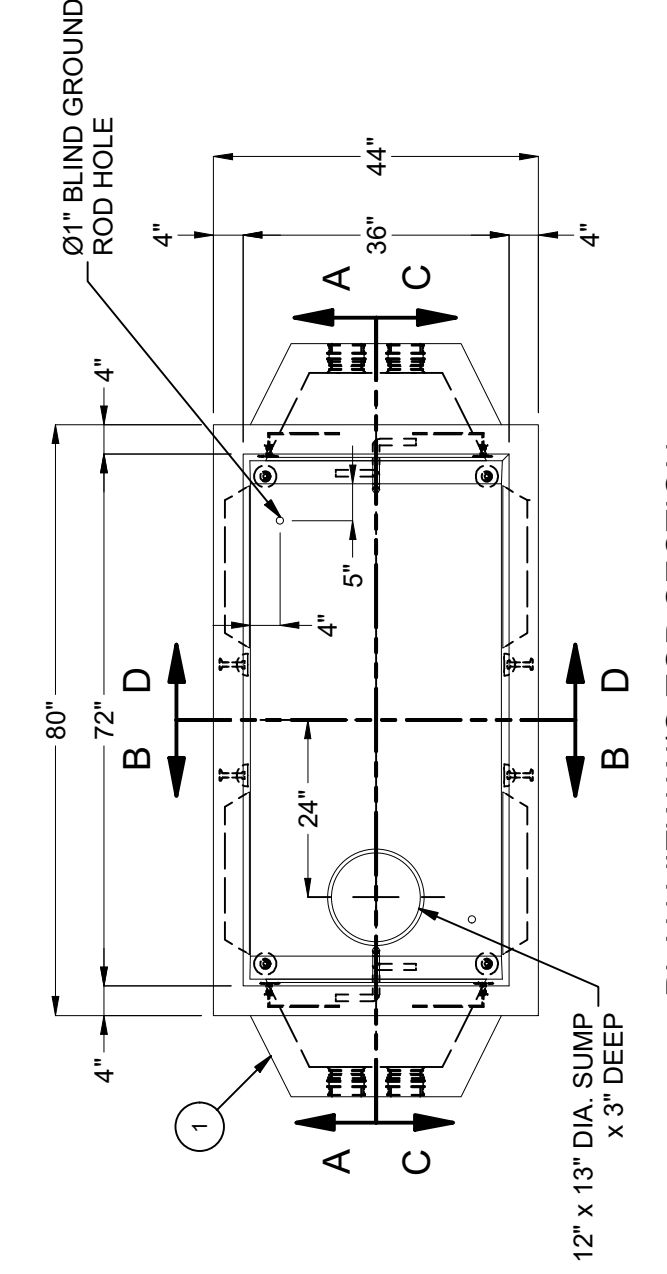
WWW.JENSENPRECAST.COM

©2023 Jensen Precast. All rights reserved. All materials appearing as Jensen Precast documents and the like are proprietary work product and are protected under U.S. copyright and other laws. Unless in conjunction with business conducted with Jensen Precast, any use of Jensen Precast work product without express, written consent is prohibited, and recipient is prohibited from distributing any and all work product to non-approved third parties under penalty of civil action.

200081527.rvt

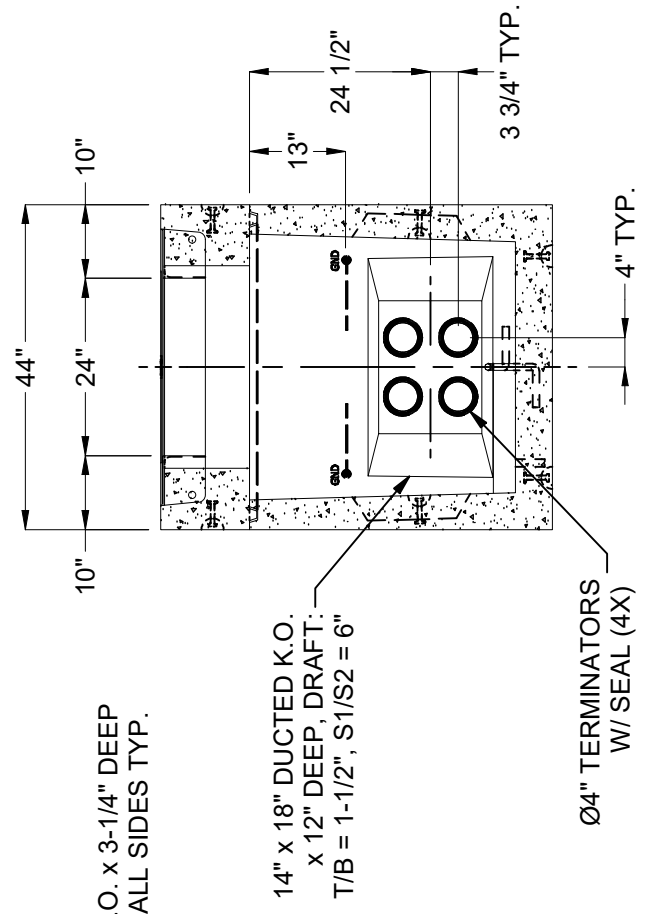


SECTION A-A

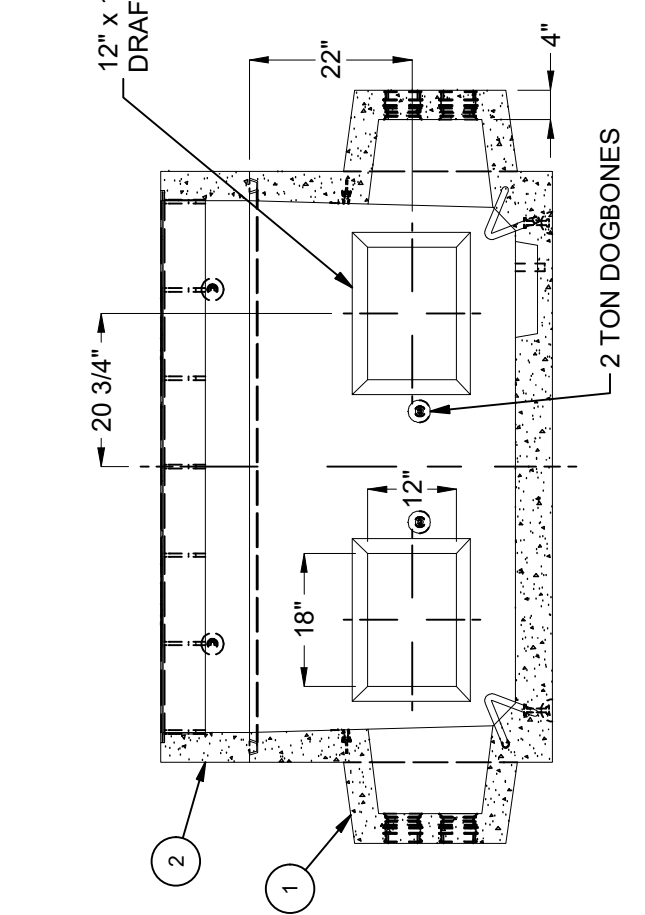


PLAN VIEW W/O TOP SECTION

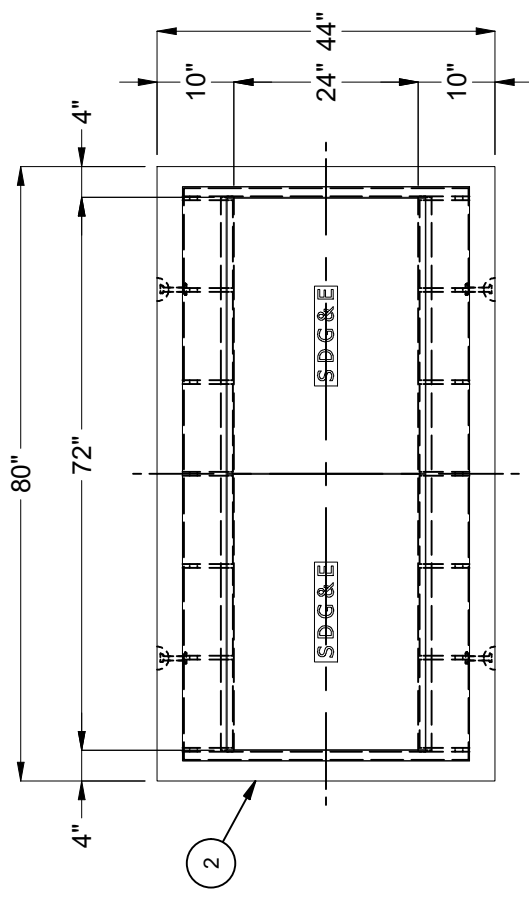
SECTION B-B



SECTION D-D



SECTION C-C



PLAN VIEW OF TOP SECTION

BURY DEPTH: 0.0' - 0.0' to Top		DESIGNATION: Vault Layout 3672x48 Terminators Ducted 28"x72"C SDGE 3314 Ext. Coating - IMRAE CoatMasters CM7007	
WATER LEVEL: 3.0'	APPROX. WEIGHT: 7595.41 Lbs	REVISION: B-1	SHEET: 2 OF 2
DESIGN SPEC: ACI 318, ASTM C857	LOADING SPEC: A-16 (AASHTO HS20-44)	PART NUMBER: 200081527	DRAWN BY: J. Prado
AGENCY: SDGE	AGENCY SPEC: 3314	CREATED: 10/19/2023	MODIFIED: 11/21/2023
WWW.JENSENPRECAST.COM		LAYOUT REVIEW	
		©2023 Jensen Precast-All rights reserved. All materials appearing as Jensen Precast documents and the like are proprietary work product and are protected under U.S. copyright and other laws. Unless in conjunction with business conducted with Jensen Precast, any use of Jensen Precast work product without express, written consent is prohibited, and recipient is prohibited from distributing any and all work product to non-approved third parties under penalty of civil action.	