

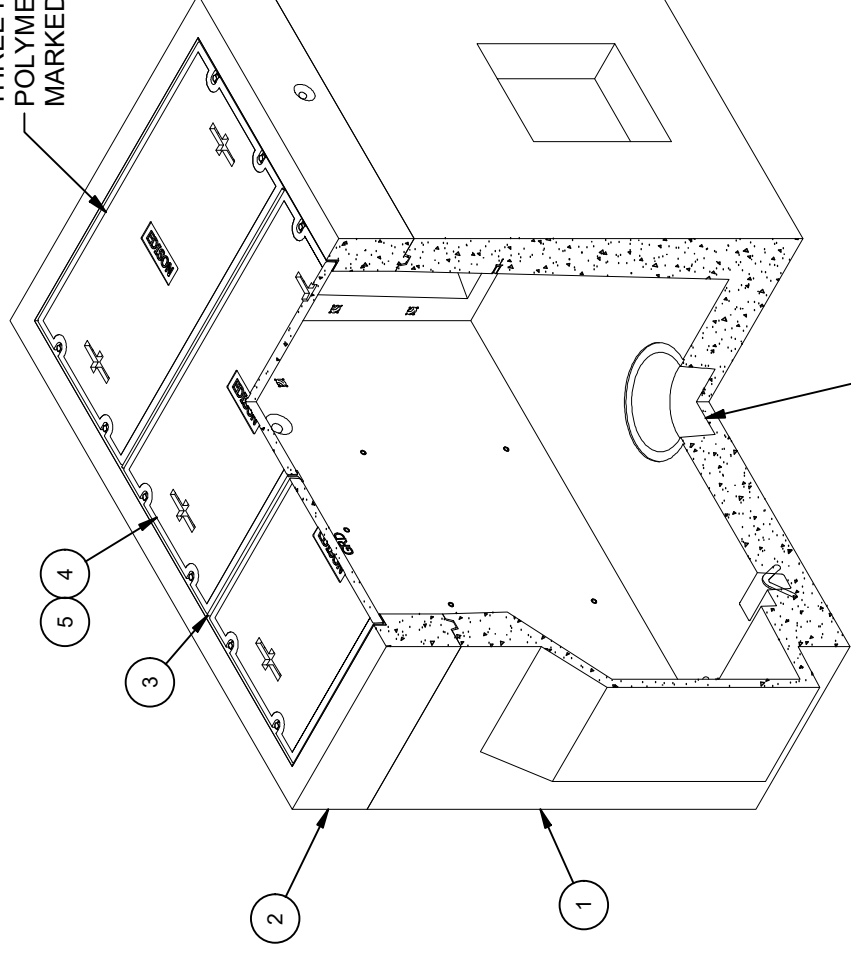
DESIGN NOTES

- DESIGNED IN ACCORDANCE WITH AASHTO HS20-44 TRAFFIC BRIDGE LOADING USING 5,500 PSI COMPRESSIVE STRENGTH CONCRETE AND 60,000 PSI YIELD STRENGTH ASTM A-706 STEEL REINFORCEMENT PER CALCS. #35041.
- COVER DESIGNED FOR 300 PSF, OR 600 lb LOAD ON 5.5" x 5.5" FOOTPRINT RESTRICTED TO AREAS OF PEDESTRIAN USE AND LIGHT MAINTENANCE VEHICLES USE, AND OTHER AREAS THAT ARE INACCESSIBLE TO ALL OTHER VEHICLE TRAFFIC.
- MINIMUM EXCAVATION SIZE: 6'-0" X 9'-9" X DEPTH REQ'D.
- VAULT TO BE PLACED ON A MIN. 6" BASE OF CRUSHER RUN FOR EASE OF INSTALLATION AND EVEN LOAD DISTRIBUTION.
- FINISH COATING: ALL INTERIOR WALLS SHALL BE PAINTED WHITE.
- "GRD" SHALL BE STENCILED IN RED LETTERS ON THE CONCRETE ABOVE EACH INSERT.
- ALL PARTS TO BE STENCILED: MFG DATE / JOB NUMBER / PRODUCT ID / WEIGHT.
- OPTIONAL, 12" EXTENSION (200073489), BOX DESIGNED FOR MAXIMUM 7'-0" HEIGHT.
- FOR COMPLETE DESIGN AND PRODUCT INFORMATION CONTACT JENSEN PRECAST.

BILL OF MATERIALS

ITEM	UNIT QTY	QTY	PART NUMBER	DESCRIPTION	MASS (lb)
1	1	1	200049826	Vault 4878x54 Rect. Bottom Section Ducted,Sump EDISON HP 228, PB-8	10885
2	1	1	200046744	Top Riser 4878x12 Cast-In Frame Edison	1743
3	1	2	100006380	BEAM STEEL 466-625 T GALV RPM 51 1/4	
4	1	3	100045409	COVER 4878 466 POLYMER EDISON	142
5	1	12	100008105	PENTA BOLT 1/2-13 UNC 2-1/2 304SS W/CAPWASH	
6	1,000 gal	1,000 gal	100006420	COATING PAINT LATEX WHITE	
7	1,000 ul	1,000 ul	100005749	SEALANT JOINT BUTYL RUBBER ASTM C-990 AND M198 CS-102 1IN EQUIV X14.5FT PER BOX 118FT	

THREE PIECE PARKWAY
POLYMER COVERS
MARKED "EDISON"



Ø12" x Ø13" SUMP
x6" DEEP
W/ RECESS

ISOMETRIC VIEW

LIFTING NOTES

- FIELD INSTALLATION: PLANT DEMOLDING: MINIMUM HANDLING CONCRETE STRENGTH F_c = 5500 PSI RIGGING EQUALIZER REQUIRED TO EQUALIZE LOAD TO 4 LIFTING POINTS WITH A SLING ANGLE BETWEEN 60° AND 90°

BURY DEPTH:	0.0' - 0.0' to Top	
WATER LEVEL:	3.0'	APPROX. WEIGHT: 13108.57 Lbs
DESIGN SPEC:	ACI 318,ASTM C857	LOADING SPEC: A-16 (AASHTO HS20-44)
AGENCY:	Edison	AGENCY SPEC: HP 228

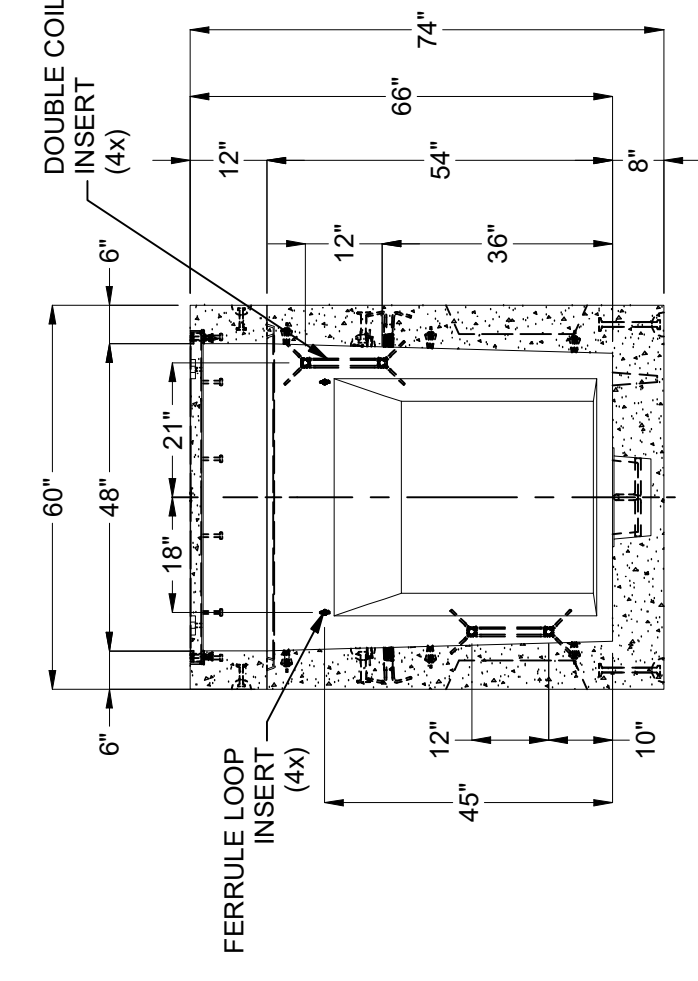
JENSEN PRECAST EST. 1968
WWW.JENSENPRECAST.COM

©2024 Jensen Precast-All rights reserved. All materials appearing as Jensen Precast documents and the like are proprietary work product and are protected under U.S. copyright and other laws. Unless in conjunction with business conducted with Jensen Precast, any use of Jensen Precast work product without express, written consent is prohibited, and recipient is prohibited from distributing any and all work product to non-approved third parties under penalty of civil action.

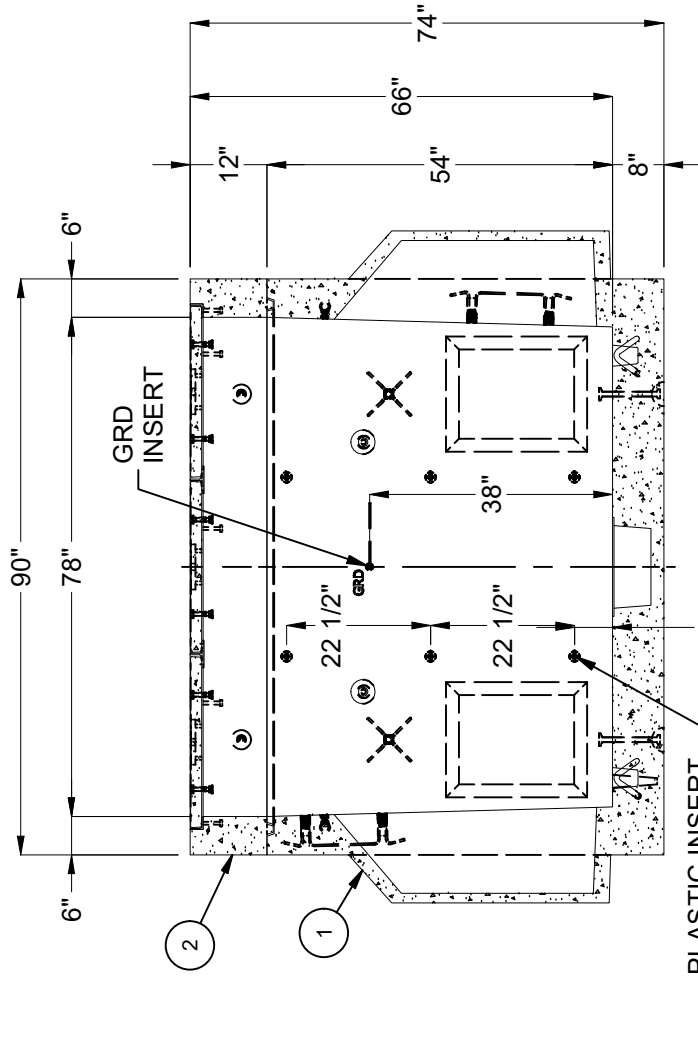
REVISION HISTORY

REV	DESCRIPTION	DATE	APPROVED
A-1	REVISED DESCRIPTION INSIDE HEIGHT FROM 54 TO 66	7/30/2024	

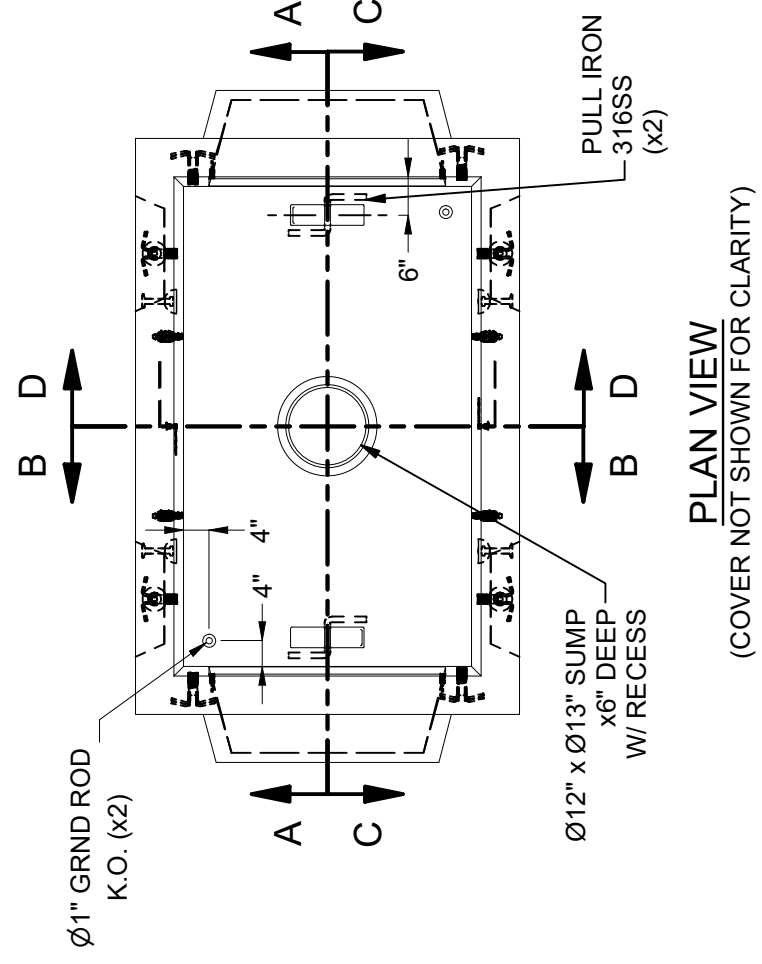
DESCRIPTION:	Vault Layout 4878x66 Knockout Ducted,Sump 48"x78"C Edison HP 228 Int. Paint - White Latex	REV:	A-1
PART NUMBER:	200091374	LAYOUT REVIEW	SHEET: 63
CREATED:	7/23/2024	DRAWN BY:	J. Prado
		MODIFIED:	7/30/2024
			1 OF 2



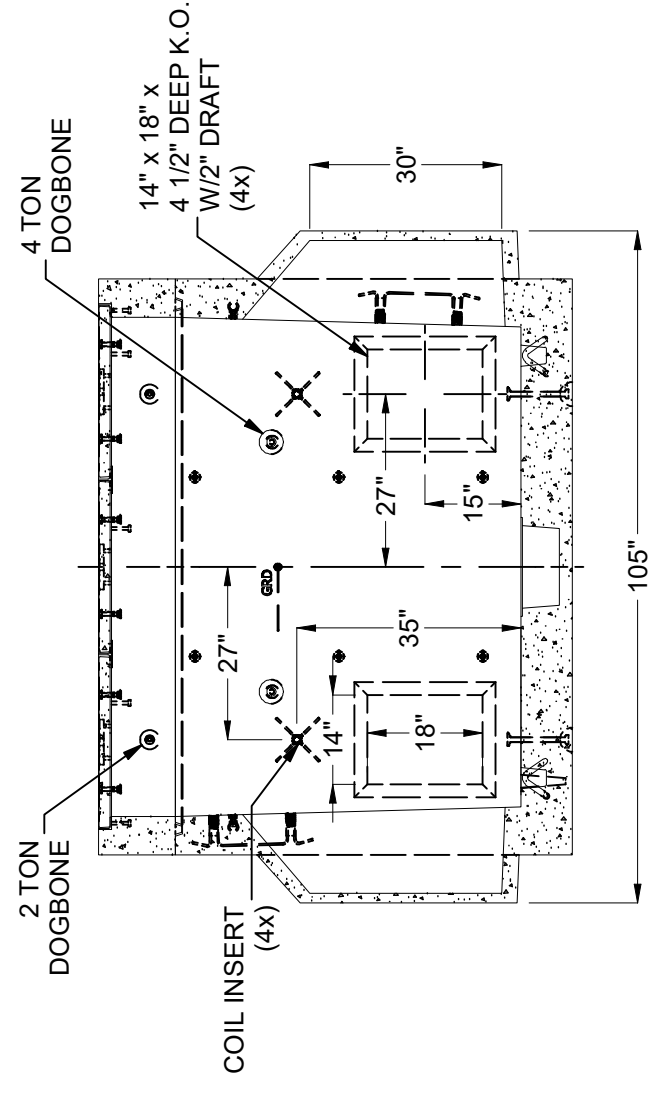
SECTION A-A



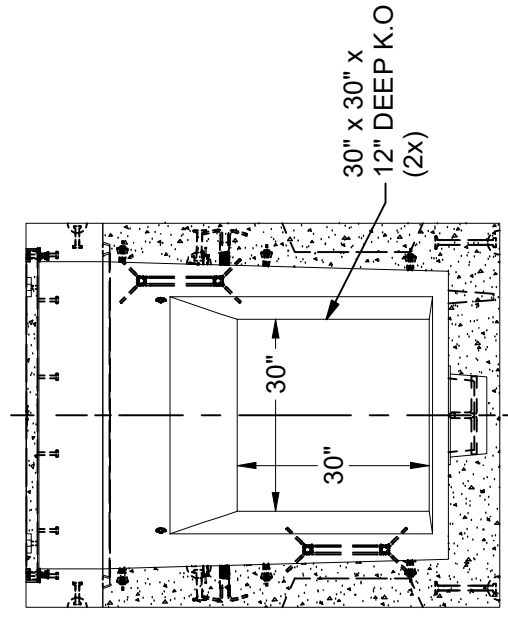
SECTION B-B



PLAN VIEW
(COVER NOT SHOWN FOR CLARITY)



SECTION C-C



SECTION D-D

BURY DEPTH:	0.0' - 0.0' to Top
WATER LEVEL:	3.0'
DESIGN SPEC:	ACI 318, ASTM C857
AGENCY:	Edison
APPROX. WEIGHT:	13108.57 Lbs
LOADING SPEC:	A-16 (AASHTO HS20-44)
AGENCY SPEC:	HP 228

JENSEN PRECAST EST. 1968
WWW.JENSENPRECAST.COM

©2024 Jensen Precast. All rights reserved. All materials appearing as Jensen Precast documents and the like are proprietary work product and are protected under U.S. copyright and other laws. Unless in conjunction with business conducted with Jensen Precast, any use of Jensen Precast work product without express, written consent is prohibited, and recipient is prohibited from distributing any and all work product to non-approved third parties under penalty of civil action.

DESCRIPTION:	Vault Layout 4878x66 Knockout Ducted, Sump 48"x78"C Edison HP 228 Int. Paint - White Latex
LAYOUT DRAWING	
PART NUMBER:	200091374
DRAWN BY:	J. Prado
CREATED:	7/23/2024
REV:	A-1
SHEET:	64
	2 OF 2