

6' x 8' x 7'

INTERCEPT PANEL VAULT

MODEL K68-PVF84-12

L.A.D.W.P. SPEC.

H-231 G1

NOTES:

STRUCTURE DESIGNED IN ACCORDANCE WITH:

- AASHTO H-20 TRAFFIC BRIDGE LOADING
- ASTM C-857 STANDARD PRACTICE FOR MINIMUM STRUCTURAL DESIGN LOADING FOR UNDERGROUND PRECAST CONCRETE UTILITY STRUCTURES
- AMERICAN CONCRETE INSTITUTE ACI 318-05

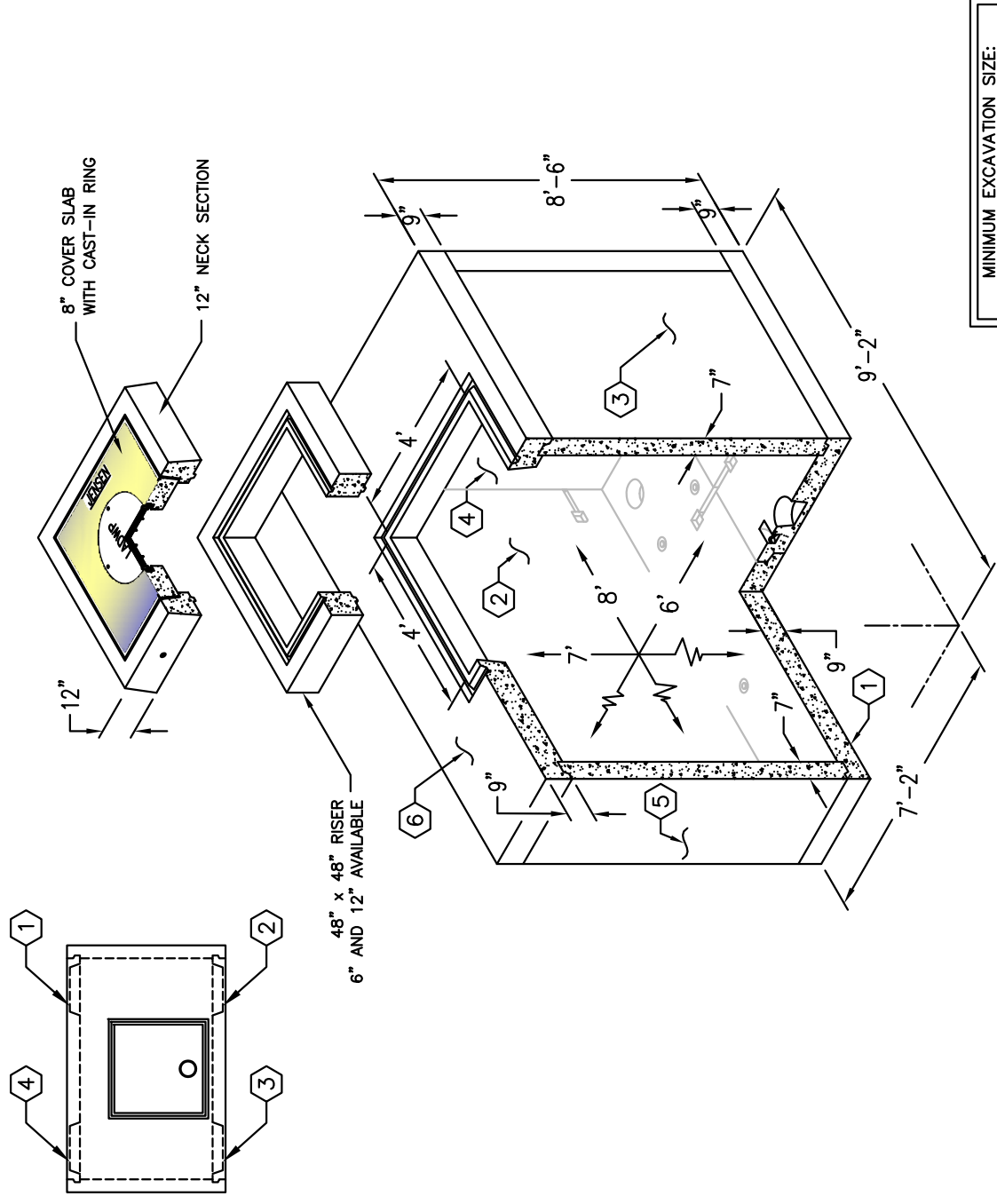
CONCRETE COMPRESSIVE STRENGTH $F'_c = 5500$ PSI
 REINFORCEMENT IN ACCORDANCE WITH ASTM A-706
 WITH A YIELD STRENGTH OF $F_y = 60,000$ PSI.

6" MINIMUM COMPACTED GRANULAR MATERIAL RECOMMENDED FOR SUB-BASE FOR EASE OF INSTALLATION AND EVEN LOAD DISTRIBUTION.

KNOCKOUT & INTERCEPT SLOT ORDERING DIAGRAM

WHEN ORDERING SPECIFY DESIRED KNOCKOUT(S) & INTERCEPT SLOT PER DIAGRAM NOTATIONS. KNOCKOUTS OMITTED WHEN NOT ORDERED.

1. PV68-B-12, 9" THICK SPLIT BASE SLAB, WT. 7,615 lbs.
2. PV68-S1-12, 7" THICK SIDE WALL, WT. 5,335 lbs.
3. PV68-S2-12, 7" THICK SIDE WALL, WT. 5,335 lbs.
4. PV610-E1-12, 7" END WALL 1, WT. 3,577 lbs.
5. PV610-E2-12, 7" END WALL 2, WT. 3,577 lbs.
6. PV68-T-12, 9" TOP SLAB, WT. 5,960 lbs.
7. 8" x 9" DIA. SUMP x 5" DEEP.
8. 14" x 15" DIA. VENT KNOCKOUT x 5" DEEP.
9. 18" x 26" KNOCKOUT x 5 1/2" DEEP.
10. 7/8" DIA. GALVANIZED PULL IRON.
11. 1/2" PLASTIC INSERT.
12. 12" DIA. RECESS.
13. 3/4" GALVANIZED COIL THRD. INSERT.
14. 2" DIA. TERMS FOR 1" DIA. GROUND ROD KNOCKOUT.



MINIMUM EXCAVATION SIZE:
 8'-2" x 10'-2" x REQ'D DEPTH

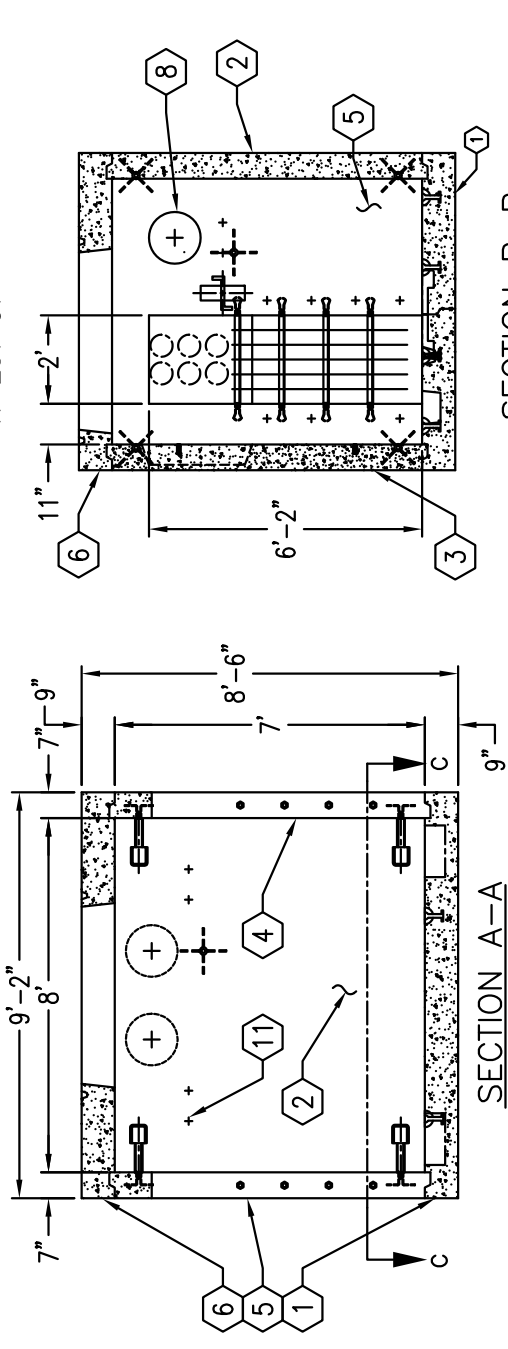
6' x 8' x 7'

INTERCEPT PANEL VAULT

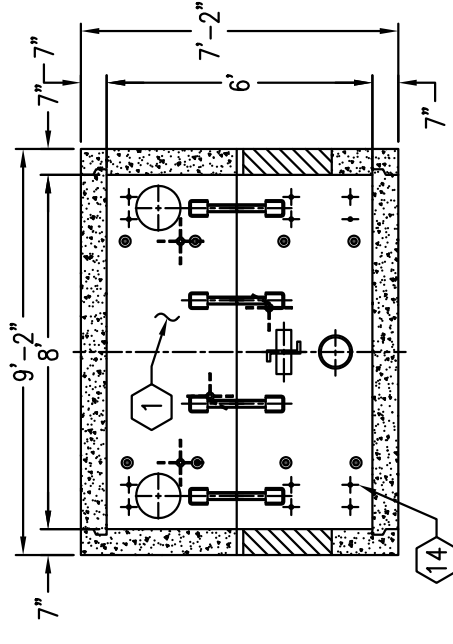
MODEL K68-PVF84-12

L.A.D.W.P. SPEC.

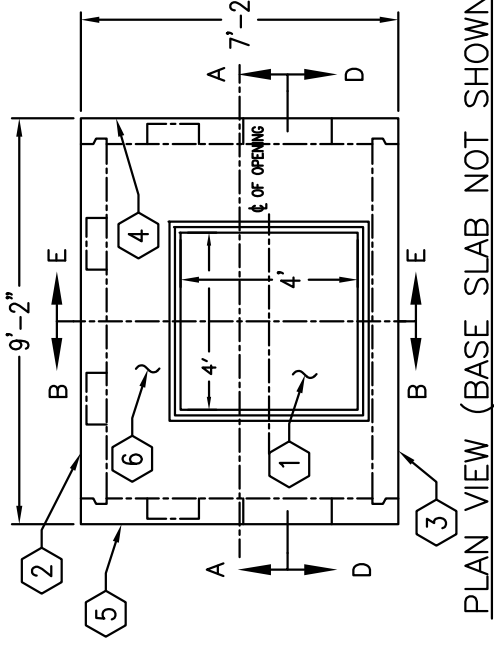
H-231 G1



SECTION A-A

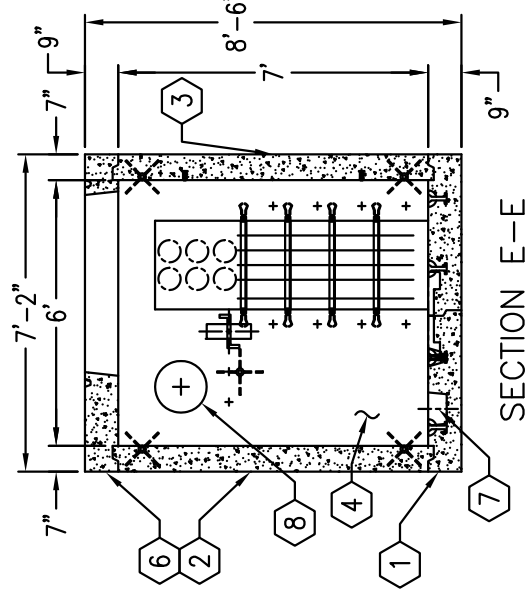


SECTION B-B

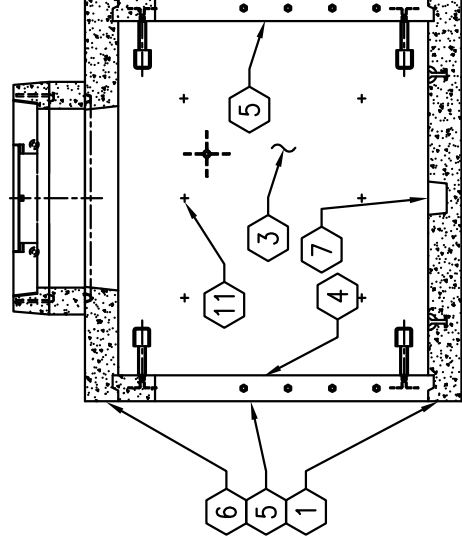


SECTION C-C

PLAN VIEW (BASE SLAB NOT SHOWN)



SECTION E-E



SECTION D-D