

6'-0" x 9'-0" x 25'-0" LONG INTERCEPT TUNNEL MANHOLE

MATERIAL LIST

ITEM PART NO.	DESCRIPTION	CAGE NO./LOCATE	WEIGHT/ MOUNT
1	TV69XE30-INT-LA-14	CG-69X-E30-INT-LA-14	16,650 lbs
2	TV69XC60-INT-LA-14	CG-69X-C60-INT-LA-14	21,700 lbs
3	TV69XR60-INT-LA-14	CG-69X-R60-INT-LA-14	22,550 lbs
4	TV69XR60-INT-LA-14O	CG-69X-R60-INT-LA-14O	21,700 lbs
5A	55-21-022	END SECTION	(10) CORE
5B	55-21-057	CENT. & EXT. W/OP'NG SECT EXTENSION SECTION	(10) CORE (10) CORE
6	FOR DOWEL LOCATIONS SEE REF DWG	DWL-69X-TV20-INT-LA-14	
7	1/4" DIA. x 1-11/16" THREADED BRASS GROUND INSERT WELD TO REBAR "GRD" TO BE STENCILED IN RED LETTERS	CENT. & EXT. SECTION END SECTION	(2) CORE (2) CORE
8	55-10-210	CENT. & EXT. SECTION END SECTION	(2) CORE (2) CORE
9	BRK-TV	END SECTION CENT. & EXT. SECTION	(4) CORE (8) CORE
10	55-20-813	END SECTION CENT. & EXT. SECTION	(4) SHELL & SURFACE (6) SHELL
11	SLOT	END SECTION	(2) SURFACE

NOTES:

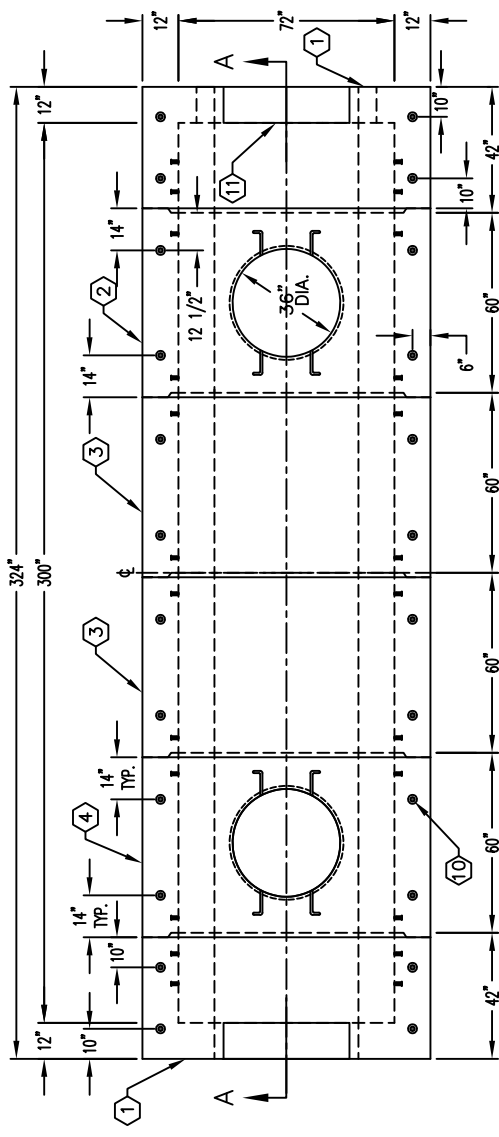
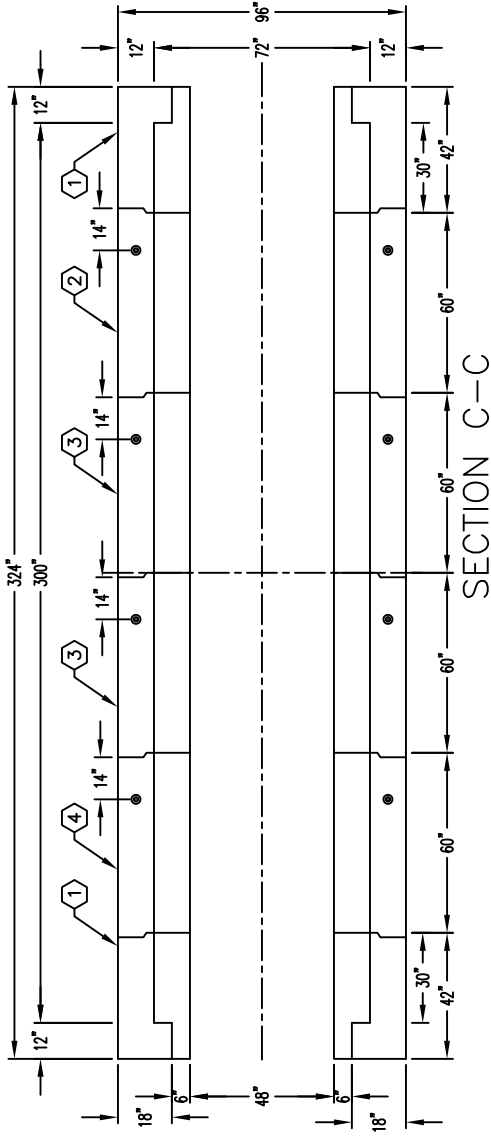
- STANDARDS: AASHTO LRFD BRIDGE DESIGN SPECIFICATIONS, 6TH EDITION, WITH 2010 CALTRANS AMENDMENTS, CITY OF LOS ANGELES BUREAU OF ENGINEERING STANDARD PLAN S-601, LATEST, MANUAL PART H, ASTM C-857. STRUCTURAL CALCS. #34104.
- MATERIAL: CONCRETE, F'c=5,500 PSI. MIX 17 OR 30 INCLUDE FLY ASH AND DCI. REINFORCEMENT PER ASTM A-706, Fy=60,000 PSI.
- LOADS: VERTICAL LIVE LOAD: AASHTO HL-93. LIVE LOAD SURCHARGE: LA BOE PART H, FIGURE H 374.2A, MINIMUM 80 PSF (TO BOTTOM OF VAULT). SOIL LATERAL LOADS: 40 PCF (DRY), 81 PCF (SATURATED), SATURATED SOIL CONDITIONS 3'-0" BELOW GRADE. SOIL BEARING CAPACITY = 1500 PSF. DESIGN SOIL DENSITY IS 120 PCF.
- LOADS NOT INCLUDED: DESIGN DOES NOT INCLUDE COOPER E-80 RAILROAD LOADS OR LATERAL OR SURCHARGE LOADS THAT ARE PRODUCED BY FOOTING OR FOUNDATIONS ADJACENT TO THE STRUCTURE. THIS SUBSTRUCTURE SHALL BE KEPT AT LEAST IN A 1:1 RATIO AWAY FROM ALL FOOTINGS AND FOUNDATIONS, UNLESS THE ENGINEER OF RECORD APPROVES IN WRITING.
- INSTALLATION LIMITS: VAULT SHALL HAVE A MINIMUM COVER OF 1'-6" AND A MAXIMUM COVER OF 5'-0".
- EACH CONCRETE SECTION SHALL BE MARKED ON THE INSIDE & OUTSIDE WITH "JENSEN PRECAST-FONTANA", AT&T OIN# AND THE DATE OF POUR.
- EACH CONCRETE SECTION SHALL HAVE CAST-IN ON THE INSIDE "JENSEN", AND THE YEAR.
- ALL WALLS AND CEILING SHALL BE PAINTED WHITE.
- EACH PIECE TO BE STENCILED WITH ITS PART NO.
- INSTALLATION: VAULT TO BE PLACED ON A MIN. 6" BASE OF CRUSHER RUN FOR EASE OF INSTALLATION AND EVEN LOAD DISTRIBUTION. BASE MATERIAL IN ACCORDANCE WITH SECTION 200-2 OF THE SSPWC (GREEN BOOK).
- ADDITIONAL SUBMITTAL, PERMIT AND CONSTRUCTION PLAN REVIEW WILL BE REQUIRED FOR EACH PROJECT LOCATION. SUBMIT TO CITY ENGINEER FOR APPROVAL PRIOR TO START OF ANY CONSTRUCTION.
- ALL INSTALLATIONS SHALL COMPLY WITH ALL OTHER LOCAL GOVERNING CODES AND REGULATIONS INCLUDING CALIFORNIA PUBLIC UTILITIES COMMISSION REGULATIONS.

THE FOLLOWING MATERIALS ARE TO BE SHIPPED WITH THE MANHOLE.

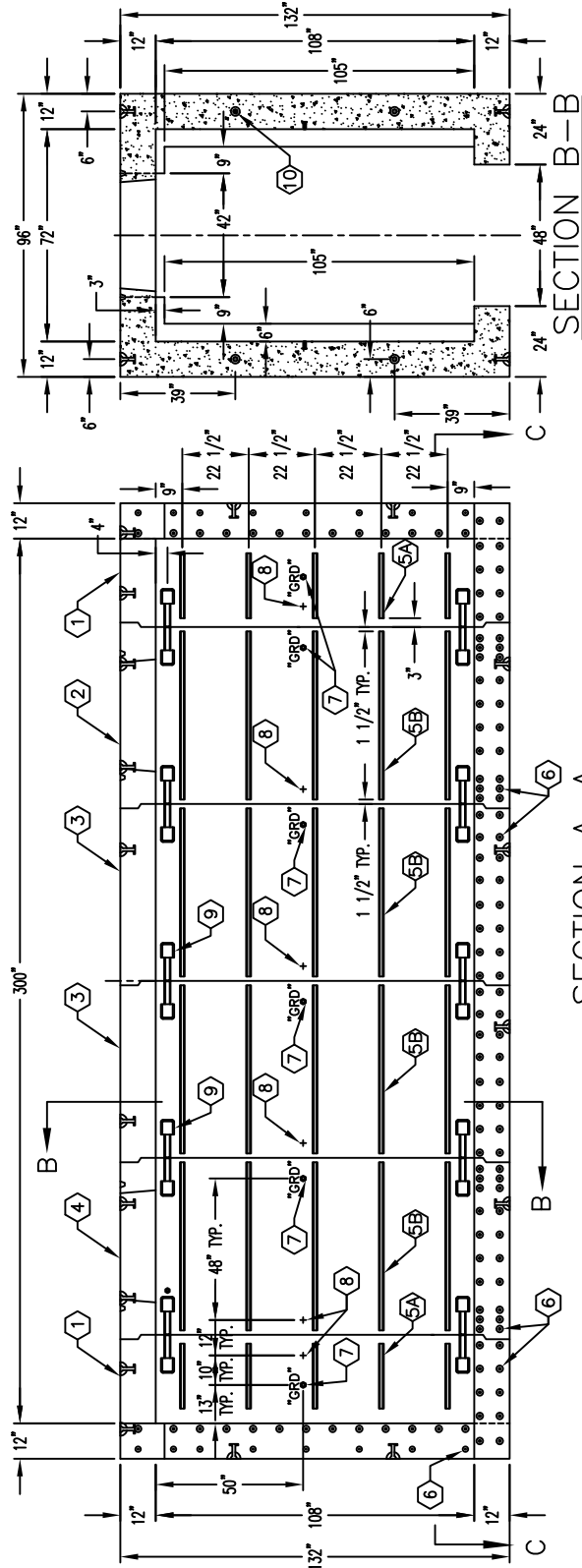
- 12B31 LADDER STEPS, OR EQUAL
- I-3600 LADDER 10', OR EQUAL
- 4" DIA. CONTERM
- SEE CABLE RACKING DWG'S 69-E24.30-CR14COLA & 69-R60-CR14COLA
- SEE GRADE RING DWG K36X-MN12-LA-09COLA
- SEE INTERCEPT PACKAGE DWG KPKINT-69X-TV20-LA-14COLA.
- 7/8" GALV. PULL IRON (4 REQ'D.), CONTRACTOR TO CAST-IN PLACE
- END WALLS, 12" FROM TOP & BOTTOM.

DESCRIPTION	AT&T OIN#
69X2-6 MODULAR MANHOLE INTERCEPT END CAP W/RACKING	100061989-LA
69X2-6 MODULAR MANHOLE INTERCEPT END CAP W/RACKING	100061970-LA
69X5 MODULAR MANHOLE INTERCEPT CENTER W/ACCESS & RACKING	100061971-LA
69X5 MODULAR MANHOLE INTERCEPT CENTER W/O ACCESS & W/RACKING	100061972-LA

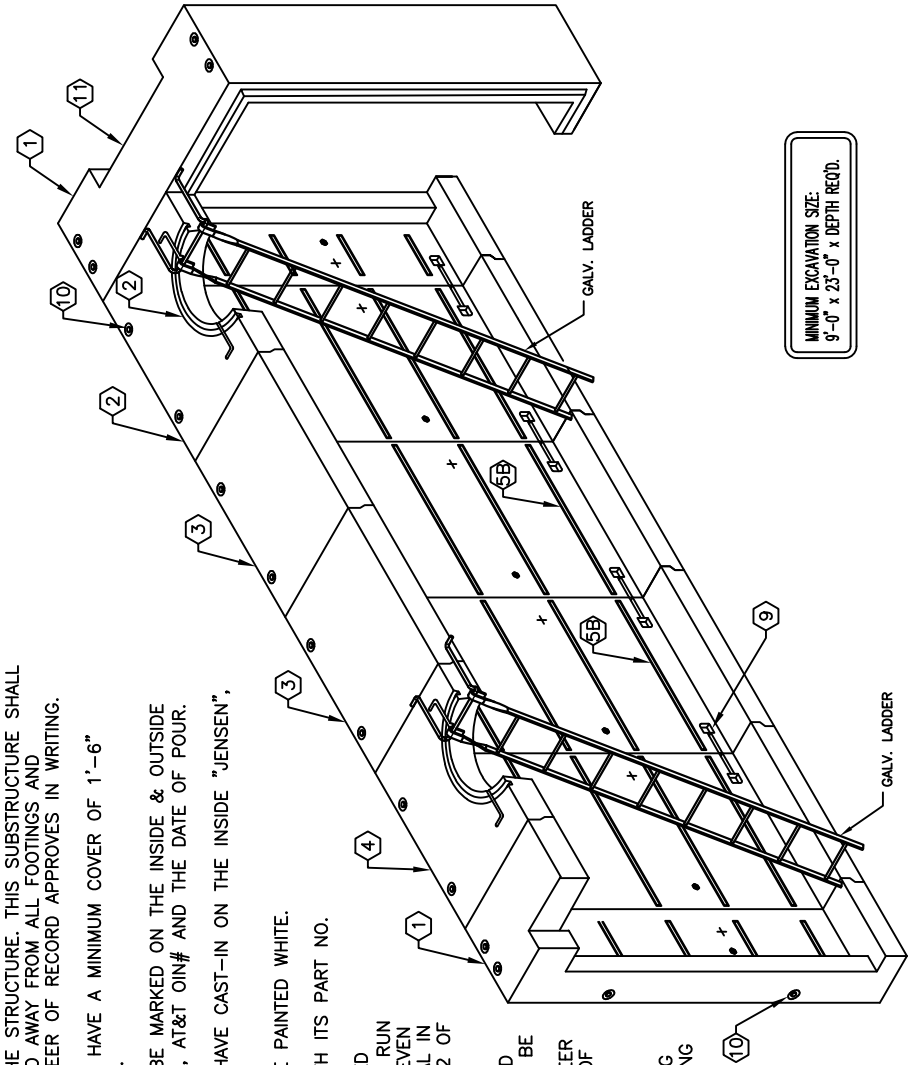
RIGGING EQUALIZER REQUIRED TO EQUALIZE LOAD TO (4) FOUR LIFTING POINTS WITH 60° MIN. SLING ANGLE, MEASURED FROM HORIZONTAL.



PLAN VIEW



SECTION A-A



MINIMUM EXCAVATION SIZE:
9'-0" x 23'-0" x DEPTH REQ'D.

JENSEN PRECAST
14221 SAN BERNARDINO AVE.
FONTANA, CA 92335

DATE	DRAWN BY	ORIGIN:	SALES REP.	CHECKED BY	
03-22-18	SMC	K69X-TV20-INT-LA	-	-	
#	DATE	DESCRIPTION	BY	CHK	SHEET
-	-	REVISION HISTORY	-	-	-
-	-	-	-	-	-

K69X-TV25-INT-LA-14

PER CUSTOMER SPECS.