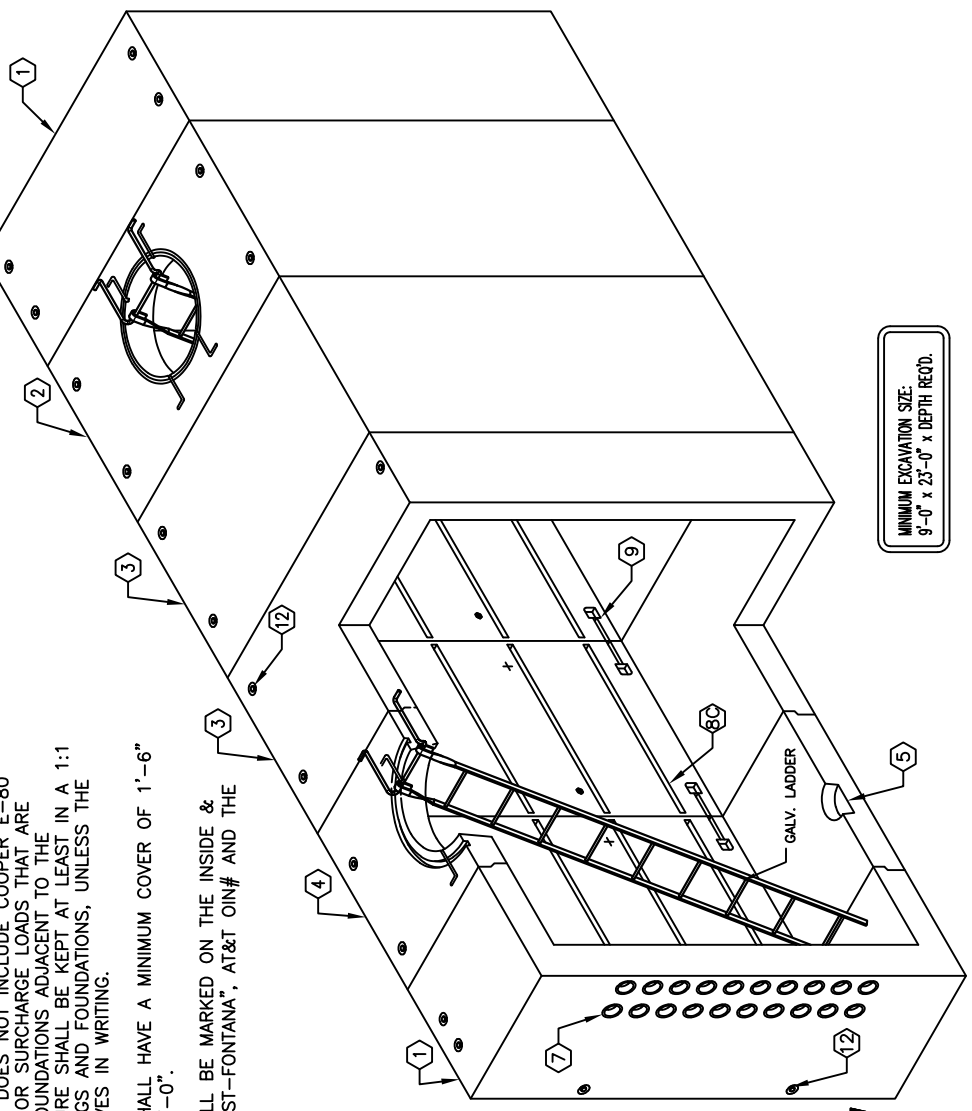


6'-0" x 9'-0" x 25'-0" LONG FLAT WALL TUNNEL VAULT

| PART NO. | DESCRIPTION | CAGE NO./ LOCATE | WEIGHT/MOUNT |
|------------------|---|--|--|
| TV69X-E30-LA-14 | (2) 30" END SECTION | CG-69X-E30-LA-14COLA | 25,450 lbs |
| TV69X-C60-LA-14 | 60" CENTER SECTION WITH OPENING | CG-69X-C60-LA-14COLA | 24,650 lbs |
| TV69X-R60-LA-14 | (2) 60" EXTENSION SECTION | CG-69X-R60-LA-14COLA | 25,550 lbs |
| TV69X-R60-LA-14O | 60" EXTENSION SECTION WITH OPENING | CG-69X-R60-LA-14OCOLA | 24,640 lbs |
| KNOCK OUT | 13" x 12" DIA. SUMP x 4 1/2" DEEP | CENTER SECTION EXTEN. w/OPNG SECTION | (1) CORE (1) CORE |
| 55-35-03 | 7/8" DIA x 3 3/8" GALV. PULL IRON | END SECTION | (2) CORE |
| 50-30-43 | 4" DIA. CONDUIT CONTERM SLEEVE 4.35"-4.5" I.D. STEPPED | END SECTION | (40) SURFACE |
| 55-21-015 | 1 5/8" x 1 5/8" UNISTRUT x 15" | END SECTION | (10) CORE |
| 55-21-022 | 1 5/8" x 1 5/8" UNISTRUT x 22" | END SECTION | (10) CORE |
| 55-21-057 | 1 5/8" x 1 5/8" UNISTRUT x 57" | CENTER & EXT SECTION | (10) CORE |
| BRK-TV | BOLT UP CASTINGS | END SECTION | (4) CORE |
| 55-10-215 | 1/4" THREADED BRONZE GROUND INSERT WELD TO REBAR "GRD" TO BE STENCILED IN RED LETTERS | CENTER & EXT. SECTION EXT. w/OPNG SECTION | (8) CORE (2) CORE |
| 55-10-210 | INSERT, 1/4" x 1 1/2" P-15T CLOSED FOR BONDING RIBBON | END SECTION | (2) CORE |
| 55-20-813 | 8 TON x 13 3/8" GALV. DOGBONE ANCHOR FOR HANDLING | CENTER & EXT. SECTION | (2) SHELL & (4) SURFACE (6) SURFACE |

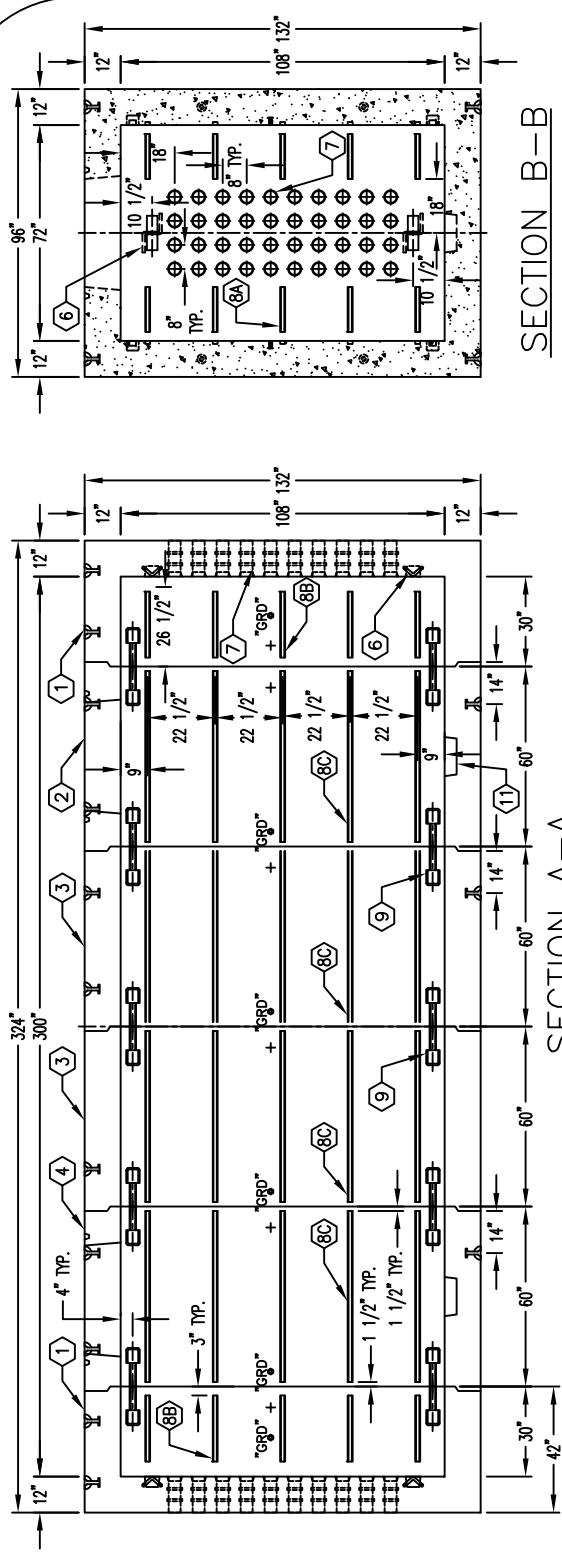
NOTES:

- STANDARDS. AASHTO LRFD BRIDGE DESIGN SPECIFICATIONS, 6TH EDITION, WITH 2010 CALTRANS AMENDMENTS, CITY OF LOS ANGELES BUREAU OF ENGINEERING STANDARD PLAN S-601, LATEST, MANUAL PART H, ASTM C-857. STRUCTURAL CALCS. #34109.
- MATERIAL. CONCRETE, F_c'=5,500 PSI. MIX 17 OR 30 INCLUDES FLY ASH AND DCI. REINFORCEMENT PER ASTM A-706, F_y=60,000 PSI.
- LOADS. VERTICAL LIVE LOAD: AASHTO HL-93. LIVE LOAD SURCHARGE: LA BOE PART H, FIGURE H 374-2A, MINIMUM 80 PSF (TO BOTTOM OF VAULT). SOIL LATERAL LOADS: 40 PCF (DRY), 81 PCF (SATURATED). SATURATED SOIL CONDITIONS 3'-0" BELOW GRADE. SOIL BEARING CAPACITY = 1500 PSF. DESIGN SOIL DENSITY IS 120 PCF.
- LOADS, NOT INCLUDED, DESIGN DOES NOT INCLUDE COOPER E-80 RAILROAD LOADS OR LATERAL OR SURCHARGE LOADS THAT ARE PRODUCED BY FOOTING OR FOUNDATIONS ADJACENT TO THE STRUCTURE. THIS SUBSTRUCTURE SHALL BE KEPT AT LEAST IN A 1:1 RATIO AWAY FROM ALL FOOTINGS AND FOUNDATIONS, UNLESS THE ENGINEER OF RECORD APPROVES IN WRITING.
- INSTALLATION LIMITS. VAULT SHALL HAVE A MINIMUM COVER OF 1'-6" AND A MAXIMUM COVER OF 5'-0".
- EACH CONCRETE SECTION SHALL BE MARKED ON THE INSIDE & OUTSIDE WITH "JENSEN PRECAST-FONTANA", AT&T OIN# AND THE DATE OF POUR.
- EACH CONCRETE SECTION SHALL HAVE CAST-IN ON THE INSIDE "JENSEN", AND THE YEAR.
- EACH PIECE TO BE STENCILED WITH ITS PART NO.
- ALL WALLS AND CEILING SHALL BE PAINTED WHITE.
- INSTALLATION. VAULT TO BE PLACED ON A MIN. 6" BASE OF CRUSHER RUN FOR EASE OF INSTALLATION AND EVEN LOAD DISTRIBUTION. BASE MATERIAL IN ACCORDANCE WITH SECTION 200-2 OF THE SSPWC (GREEN BOOK).
- ADDITIONAL SUBMITTAL, PERMIT AND CONSTRUCTION PLAN REVIEW WILL BE REQUIRED FOR EACH PROJECT LOCATION. SUBMIT TO CITY ENGINEER FOR APPROVAL PRIOR TO START OF ANY CONSTRUCTION.

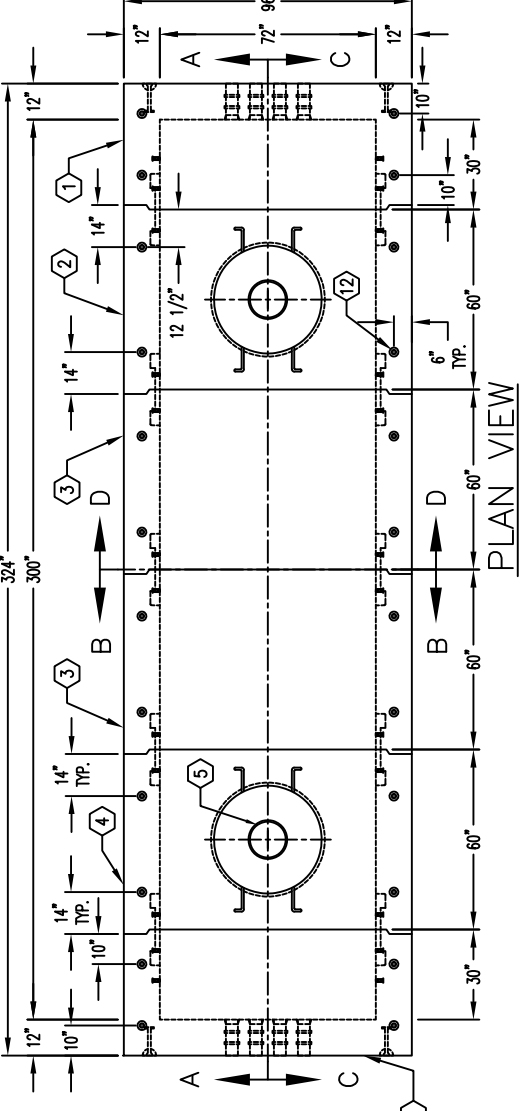


MINIMUM EXCAVATION SIZE:
9'-0" x 23'-0" x DEPTH REQ'D.

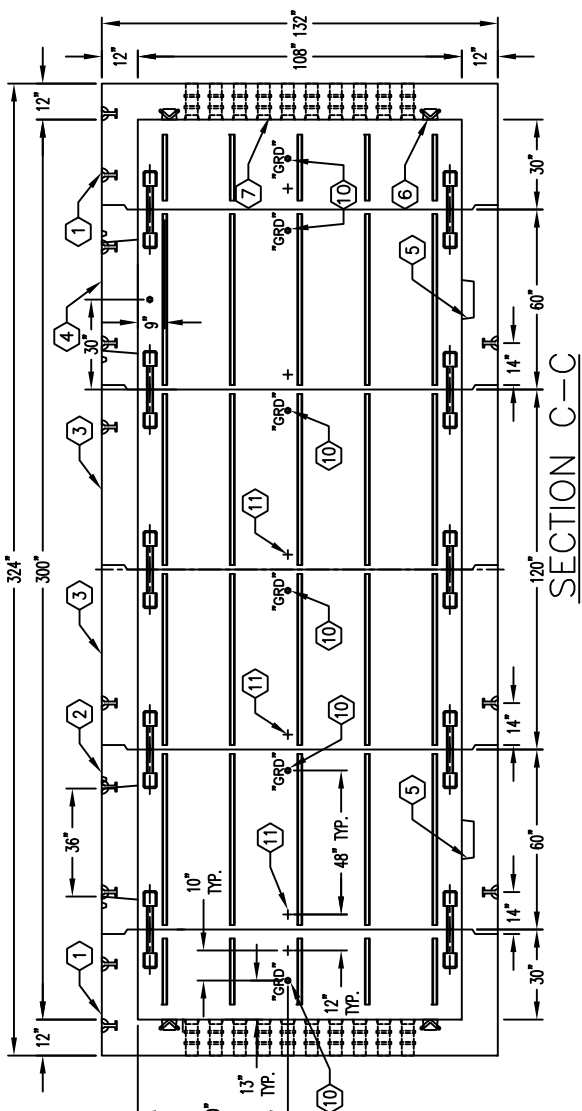
JENSEN PRECAST
14221 SAN BERNARDINO AVE.
FONTANA, CA 92335



SECTION A-A



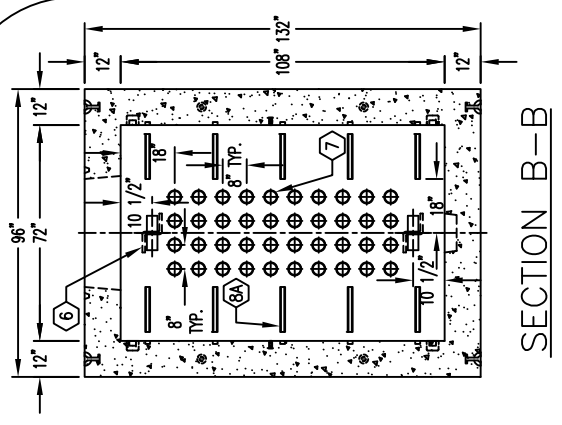
PLAN VIEW



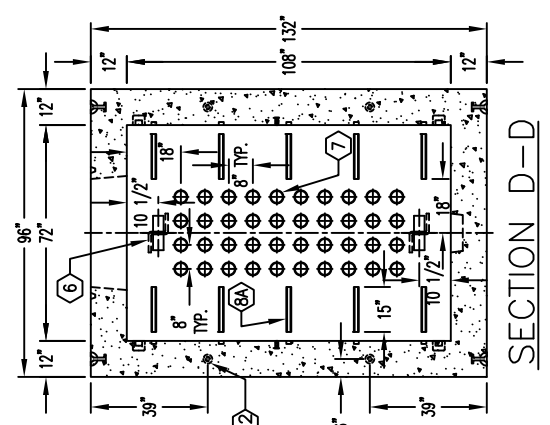
SECTION C-C

RIGGING EQUALIZER REQUIRED TO EQUALIZE LOAD TO (4) FOUR LIFTING POINTS WITH 60° MIN. SLING ANGLE, MEASURED FROM HORIZONTAL.

| DESCRIPTION | AT&T OIN# |
|---|--------------|
| 6x9x2-6 MODULAR MANHOLE END CAP W/RACKING | XXXXXXX |
| 6x9x2-6 MODULAR MANHOLE END CAP W/RACKING | 100061986-LA |
| 6x9x5 MODULAR MANHOLE CENTER W/ACCESS & RACKING | 100061987-LA |
| 6x9x5 MODULAR MANHOLE CENTER W/O ACCESS & RACKING | 100061988-LA |



SECTION B-B



SECTION D-D

| DATE | DRAWN BY | ORIGIN: | SALES REP. | CHECKED BY | |
|----------|----------|------------------|------------|------------|-------|
| 03-21-18 | SMC | K69X-TV20-LA-14 | PE | | |
| # | DATE | DESCRIPTION | BY | CHK | SHEET |
| - | - | REVISION HISTORY | - | - | - |
| - | - | - | - | - | - |
| - | - | - | - | - | - |

K69X-TV25-14
PER CUSTOMER SPECS.