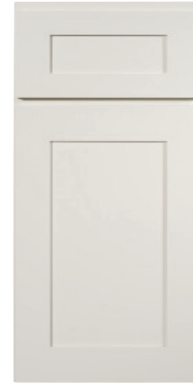




With the highest quality materials and finest attention to detail, our Premier Series offers distinctive touches and superb craftsmanship. Whether you love traditional or modern design, the Premier Series has a look to fit your lifestyle. Features include full overlay doors, plywood boxes, a solid wood dovetail drawer box, as well as a 5 piece drawer head and soft close doors and drawers.

Shaker

Modern and versatile, the design of these cabinets will add polish and sophistication to any space.



DESIGNER WHITE



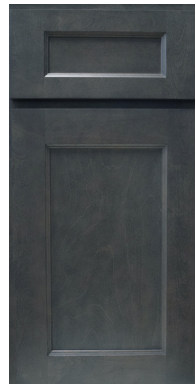
ESPRESSO



MODERN GRAY



BRIGHT WHITE



SLATE

Brooklyn

Designed with industrial and vintage charm, these cabinets will complement your home for years.

Lenox

Detailed and elegant with timeless charm ensures you will love these cabinets for a lifetime.



COUNTRY LINEN



MOCHA



CANVAS

SELECT

Offering timeless style and quality, the Select Series is ideal for customers looking for a cost conscious upgrade in their space. Features include solid wood doors and soft close drawer slides.

Alex

Timeless style & quality for easy upgrading.



ALEX BRANDYWINE

VALUE

Classic cabinets for any decor offering functionality and style at a budget-friendly price. Features include full overlay doors, soft close hinges and a particle board cabinet box with a plywood back.

Taylor

Style at a budget-friendly price.



WHITE



ESPRESSO



MOCHA



CREME

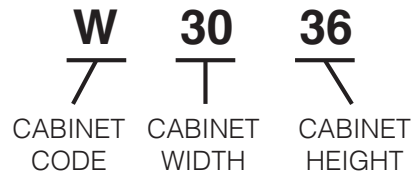
	Shaker Designer White	Shaker Espresso	Brooklyn Bright White	Brooklyn Modern Gray	Brooklyn Slate	Lenox Mocha	Lenox Canvas	Lenox Country Linen	Alex Brandywine
	Premier								Select
Cabinet Box	1/2", 7 Ply, Plywood	1/2", 7 Ply, Plywood	1/2", 7 Ply, Plywood	1/2", 7 Ply, Plywood	1/2", 7 Ply, Plywood	1/2", 7 Ply, Plywood	1/2", 7 Ply, Plywood	1/2", 7 Ply, Plywood	1/2", 7 Ply, Plywood
Drawer Box	5/8" Solid Wood, Dovetailed	5/8" Solid Wood, Dovetailed	5/8" Solid Wood, Dovetailed	5/8" Solid Wood, Dovetailed	5/8" Solid Wood, Dovetailed	5/8" Solid Wood, Dovetailed	5/8" Solid Wood, Dovetailed	5/8" Solid Wood, Dovetailed	5/8" Solid Wood, Dovetailed
Drawer Slides	Under Mount, Full Extension, Metal, Soft Close w/ Ball Bearings	Under Mount, Full Extension, Metal, Soft Close w/ Ball Bearings	Under Mount, Full Extension, Metal, Soft Close w/ Ball Bearings	Under Mount, Full Extension, Metal, Soft Close w/ Ball Bearings	Under Mount, Full Extension, Metal, Soft Close w/ Ball Bearings	Under Mount, Full Extension, Metal, Soft Close w/ Ball Bearings	Under Mount, Full Extension, Metal, Soft Close w/ Ball Bearings	Under Mount, Full Extension, Metal, Soft Close w/ Ball Bearings	Under Mount, Full Extension, Metal, Soft Close w/ Ball Bearings
Wood Species	Birch	Birch	Birch	Birch	Birch	Birch	Birch	Birch	Poplar
Door Hinge	DTC 6 Way Adjustable, Soft Close	DTC 6 Way Adjustable, Soft Close	DTC 6 Way Adjustable, Soft Close	DTC 6 Way Adjustable, Soft Close	DTC 6 Way Adjustable, Soft Close	DTC 6 Way Adjustable, Soft Close	DTC 6 Way Adjustable, Soft Close	DTC 6 Way Adjustable, Soft Close	DTC 6 Way Adjustable
Shelves	Adjustable, 3/4" Plywood	Adjustable, 3/4" Plywood	Adjustable, 3/4" Plywood	Adjustable, 3/4" Plywood	Adjustable, 3/4" Plywood	Adjustable, 3/4" Plywood	Adjustable, 3/4" Plywood	Adjustable, 3/4" Plywood	Adjustable, 3/4" Plywood
Finish Color	Designer White	Espresso Stain	Bright White	Modern Gray	Slate Stain	Mocha	Canvas	Country Linen	Brandywine
Exterior Finish	Designer White to Match Doors	Espresso to Match Doors	Bright White to Match Doors	Modern Gray to Match Doors	Slate to Match Doors	Mocha to Match Doors	Canvas to Match Doors	Country Linen to Match Doors	Brandywine to Match Doors
Interior Finish	Natural	Natural	Natural	Natural	Natural	Natural	Natural	Natural	Brandywine Tint
Glazing	No	No	No	No	No	Yes, Black Lines	No	Yes, Brown Lines	No
Base Corner Reinforcement	3" Plywood Stretchers	3/4" Plywood Blocks	3" Plywood Stretchers	3" Plywood Stretchers	3" Plywood Stretchers	3/4" Plywood Blocks	3/4" Plywood Blocks	3/4" Plywood Blocks	3/4" Plywood Blocks
Face Frame	1 1/2" Rails & Stiles, Solid Wood	1 1/2" Rails & Stiles, Solid Wood	1 1/2" Rails & Stiles, Solid Wood	1 1/2" Rails & Stiles, Solid Wood	1 1/2" Rails & Stiles, Solid Wood	1 1/2" Rails & Stiles, Solid Wood	1 1/2" Rails & Stiles, Solid Wood	1 1/2" Rails & Stiles, Solid Wood	1 1/2" Rails & Stiles, Solid Wood
Full Overlay Door	5 Piece w/ Solid Center Panel; 2 3/4" Stiles & Rails	5 Piece w/ Solid Center Panel; 3 1/2" Stiles & Rails	5 Piece w/ Solid Center Panel; 3" Stiles & Rails	5 Piece w/ Solid Center Panel; 3" Stiles & Rails	5 Piece w/ Solid Center Panel; 3" Stiles & Rails	9 Piece Raised Panel w/ Applied Molding	9 Piece Raised Panel w/ Applied Molding	9 Piece Raised Panel w/ Applied Molding	5 Piece Mitered w/ Recessed Panel
Drawer Head	Slab or 5 Piece w/ Solid Center Panel; 2 3/4" Stiles & 1 7/8" Rails	Slab or 5 Piece w/ Solid Center Panel; 2 3/4" Stiles & 2 3/4" Rails	5 Piece w/ Solid Center Panel; 3" Stiles & 2" Rails	5 Piece w/ Solid Center Panel; 3" Stiles & 2" Rails	5 Piece w/ Solid Center Panel; 3" Stiles & 2" Rails	9 Piece Raised Panel w/ Applied Molding	9 Piece Raised Panel w/ Applied Molding	9 Piece Raised Panel w/ Applied Molding	5 Piece Mitered w/ Recessed Panel
Approvals	CARB, E-1	CARB, E-1	CARB, E-1	CARB, E-1	CARB, E-1	CARB, E-1	CARB, E-1	CARB, E-1	CARB, E-1
Design & Structure	Meets Leading Industry Standards	Meets Leading Industry Standards	Meets Leading Industry Standards	Meets Leading Industry Standards	Meets Leading Industry Standards	Meets Leading Industry Standards	Meets Leading Industry Standards	Meets Leading Industry Standards	Meets Leading Industry Standards
Assembly	Glue & Staples, No Cams or Brackets	Glue & Staples, No Cams or Brackets	Glue & Staples, No Cams or Brackets	Glue & Staples, No Cams or Brackets	Glue & Staples, No Cams or Brackets	Glue & Staples, No Cams or Brackets	Glue & Staples, No Cams or Brackets	Glue & Staples, No Cams or Brackets	Glue & Staples, No Cams or Brackets
Toe Kick Depth w/ TK Skin	3.75"	3.75"	3.75"	3.75"	3.75"	3.75"	3.75"	3.75"	3.75"

	Taylor White	Taylor Espresso	Taylor Creme	Taylor Mocha
	Value			
Cabinet Box	1/2" Particle Board w/ Plywood Back	1/2" Particle Board w/ Plywood Back	1/2" Particle Board w/ Plywood Back	1/2" Particle Board w/ Plywood Back
Drawer Box	1/2" Plywood, Straight	1/2" Plywood, Straight	1/2" Plywood, Straight	1/2" Plywood, Straight
Drawer Slides	Side Mount, 3/4 Extension, Epoxy/vinyl Slides w/ Nylon Rollers*	Side Mount, 3/4 Extension, Epoxy/vinyl Slides w/ Nylon Rollers*	Side Mount, 3/4 Extension, Epoxy/vinyl Slides w/ Nylon Rollers*	Side Mount, 3/4 Extension, Epoxy/vinyl Slides w/ Nylon Rollers*
Wood Species	Birch	Birch	Birch	Birch
Door Hinge	DTC 6 Way Adjustable Soft Close	DTC 6 Way Adjustable Soft Close	DTC 6 Way Adjustable Soft Close	DTC 6 Way Adjustable Soft Close
Shelves	Adjustable, 5/8" Plywood	Adjustable, 5/8" Plywood	Adjustable, 5/8" Plywood	Adjustable, 5/8" Plywood
Finish Color	White	Espresso Stain	Creme	Mocha Stain
Exterior Finish	White to Match Doors	Espresso to Match Doors	Creme to Match Doors	Mocha to Match Doors
Interior Finish	White	Espresso	Creme	Mocha
Glazing	No	No	Yes, Brown Lines	Yes, Black Lines
Base Corner Reinforcement	3/4" Plastic Corner Braces w/ Tabs	3/4" Plastic Corner Braces w/ Tabs	3/4" Plastic Corner Braces w/ Tabs	3/4" Plastic Corner Braces w/ Tabs
Face Frame	1 1/2" Rails and Stiles, Solid Wood	1 1/2" Rails and Stiles, Solid Wood	1 1/2" Rails and Stiles, Solid Wood	1 1/2" Rails and Stiles, Solid Wood
Full Overlay Door	5 Piece Recessed Panel	5 Piece Recessed Panel	5 Piece Recessed Panel	5 Piece Recessed Panel
Drawer Head	Slab	Slab	Slab	Slab
Approvals	CARB, E-1	CARB, E-1	CARB, E-1	CARB, E-1
Design & Structure	Meets Leading Industry Standards	Meets Leading Industry Standards	Meets Leading Industry Standards	Meets Leading Industry Standards
Assembly	Glue and Staples, No Cams or Brackets	Glue and Staples, No Cams or Brackets	Glue and Staples, No Cams or Brackets	Glue and Staples, No Cams or Brackets
Toe Kick Depth w/ TK Skin	3.75"	3.75"	3.75"	3.75"

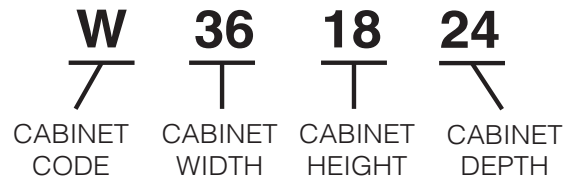
*All Value Series drawers can be upgraded. Upgrade includes: Drawer Box: 5/8" Solid Wood, Dovetailed; Drawer Slides: Under Mount, Full Extension, Metal, Soft Close with Ball Bearings. All Drawer Upgrade SKUs are notated with 'DU' on the Order Form

Wall Cabinet Coding

Standard (12" Deep)



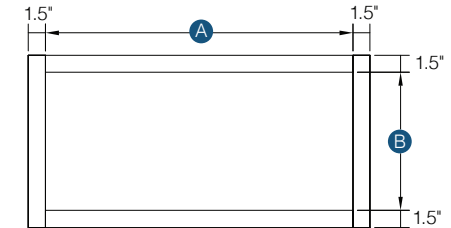
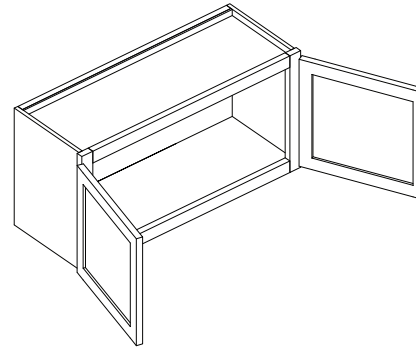
Refrigerator



Notes:

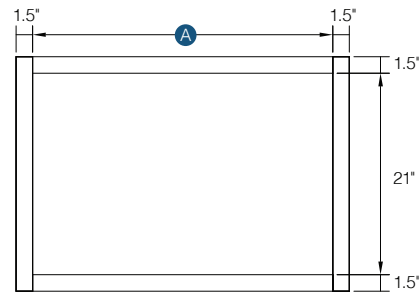
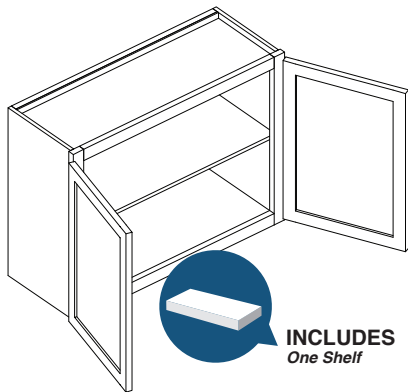
- Standard wall cabinets are 12" deep. Refrigerator cabinets are 24" deep.
- Add door thickness for total cabinet depth.
- Please refer to the Products by Cabinet Line chart to determine which products are carried for each cabinet line.

12" - 21" High Double Door Wall



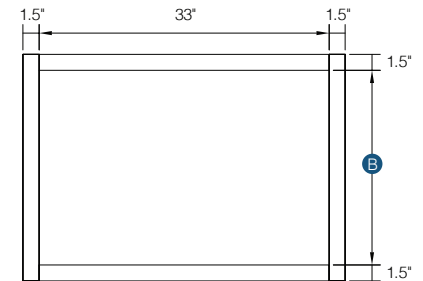
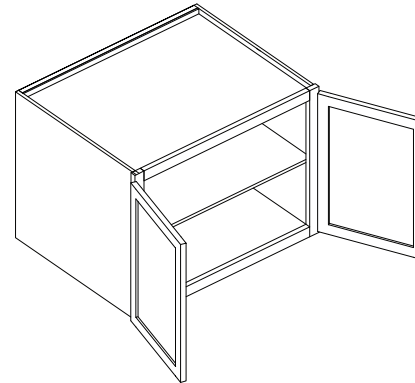
Item Code	Outer Dimensions			Opening Size		Door Size (x2)	
	W	H	D	A	B	W	H
W3012	30"	12"	12"	27"	9"	14.6875"	10.75"
W3612	36"	12"	12"	33"	9"	17.6875"	10.75"
W3912	39"	12"	12"	36"	9"	19.1875"	10.75"
W3015	30"	15"	12"	27"	12"	14.6875"	13.75"
W3315	33"	15"	12"	30"	12"	16.1875"	13.75"
W3615	36"	15"	12"	33"	12"	17.6875"	13.75"
W3915	39"	15"	12"	36"	12"	19.1875"	13.75"
W3018	30"	18"	12"	27"	15"	14.6875"	16.75"
W3318	33"	18"	12"	30"	15"	16.1875"	16.75"
W3618	36"	18"	12"	33"	15"	17.6875"	16.75"
W3918	39"	18"	12"	36"	15"	19.1875"	16.75"
W3021	30"	21"	12"	27"	18"	14.6875"	19.75"

24" High Double Door Wall



Item Code	Outer Dimensions			Opening Size		Door Size (x2)	
	W	H	D	A	H	W	H
W3024	30"	24"	12"	27"	21"	14.6875"	22.75"
W3324	33"	24"	12"	30"	21"	16.1875"	22.75"
W3624	36"	24"	12"	33"	21"	17.6875"	22.75"
W3924	39"	24"	12"	36"	21"	19.1875"	22.75"

24" Deep Wall (Refrigerator Cabinet)

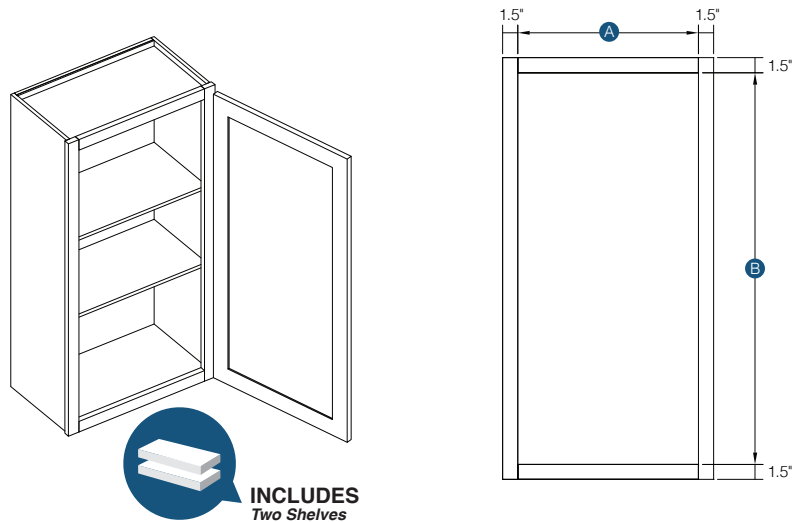


Item Code	Outer Dimensions			Opening Size		Door Size (x2)	
	W	H	D	A	B	W	H
W361824*	36"	18"	24"	33"	15"	17.6875"	16.75"
W362424**	36"	24"	24"	33"	21"	17.6875"	22.75"

*W361824 No shelf included

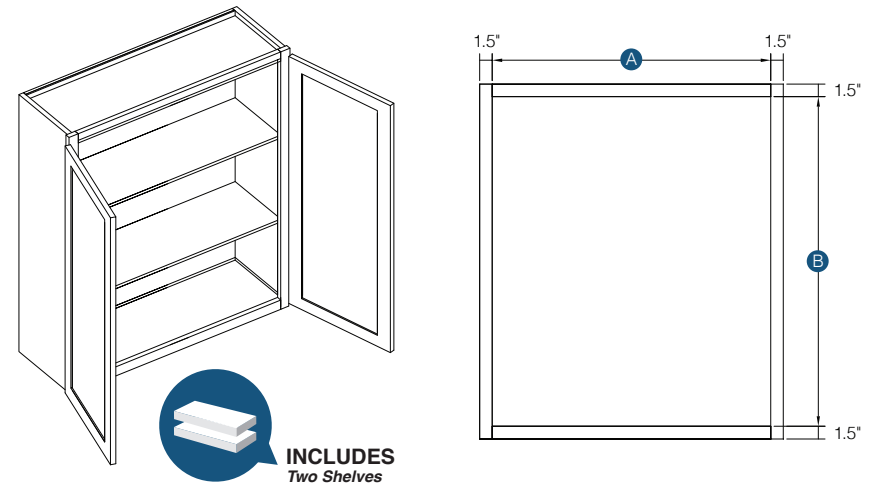
**W362424 Includes 1 shelf

30" - 36" High Single Door Wall



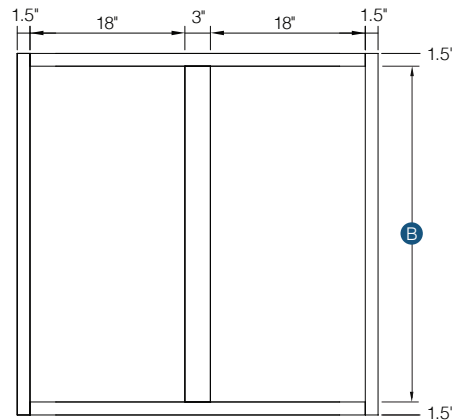
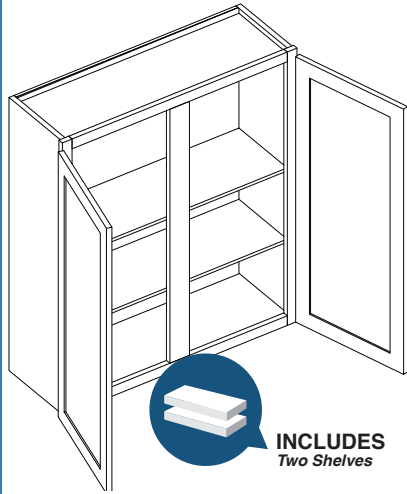
Item Code	Outer Dimensions			Opening Size		Door Size	
	W	H	D	A	H	W	H
W930	9	30	12	6"	27"	8.5"	28.75"
W1230	12	30	12	9"	27"	11.5"	28.75"
W1530	15	30	12	12"	27"	14.5"	28.75"
W1830	18	30	12	15"	27"	17.5"	28.75"
W2130	21	30	12	18"	27"	20.5"	28.75"
W2430-1	24	30	12	21"	27"	23.5"	28.75"
W936	9	36	12	6"	33"	8.5"	34.75"
W1236	12	36	12	9"	33"	11.5"	34.75"
W1536	15	36	12	12"	33"	14.5"	34.75"
W1836	18	36	12	15"	33"	17.5"	34.75"
W2136	21	36	12	18"	33"	20.5"	34.75"

30" - 36" High Double Door Wall



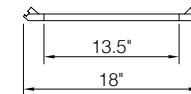
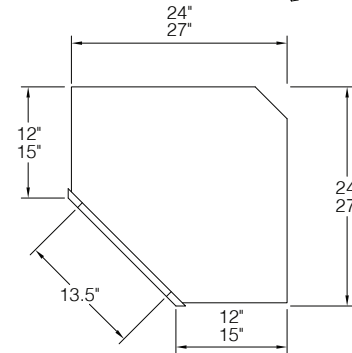
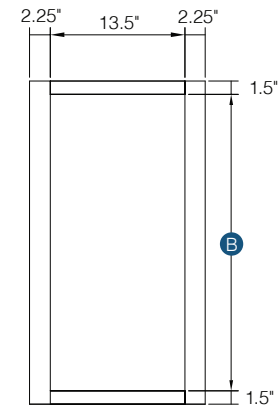
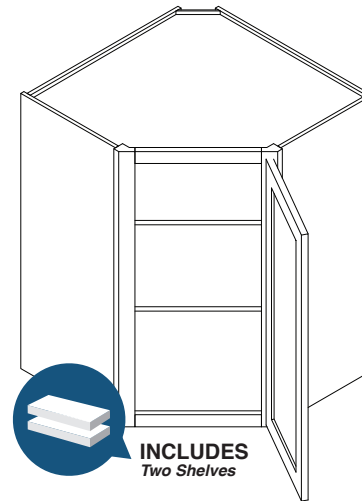
Item Code	Outer Dimensions			Opening Size		Door Size (x2)	
	W	H	D	A	B	W	H
W2430-2	24"	30"	12"	21"	27"	11.6875"	28.75"
W2730	27"	30"	12"	24"	27"	13.1875"	28.75"
W3030	30"	30"	12"	27"	27"	14.6875"	28.75"
W3330	33"	30"	12"	30"	27"	16.1875"	28.75"
W3630	36"	30"	12"	33"	27"	17.6875"	28.75"
W3930	39"	30"	12"	36"	27"	19.1875"	28.75"
W2436-2	24"	36"	12"	21"	33"	11.6875"	34.75"
W2736	27"	36"	12"	24"	33"	13.1875"	34.75"
W3036	30"	36"	12"	27"	33"	14.6875"	34.75"
W3336	33"	36"	12"	30"	33"	16.1875"	34.75"
W3636	36"	36"	12"	33"	33"	17.6875"	34.75"
W3936	39"	36"	12"	36"	33"	19.1875"	34.75"

30" - 36" High Double Door Wall with Center Stile



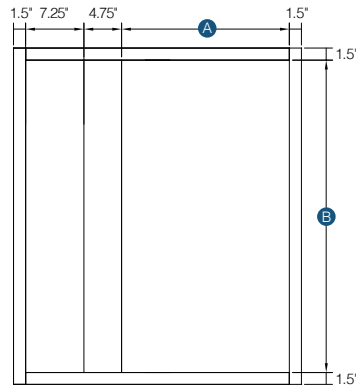
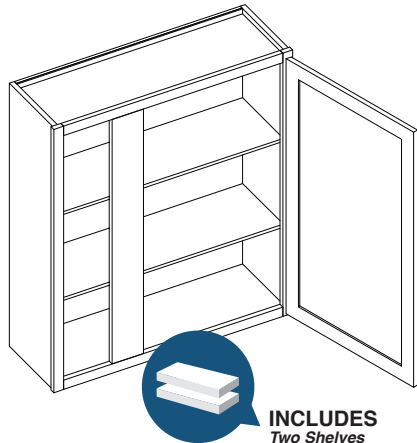
Item Code	Outer Dimensions			Opening Size		Door Size (x2)	
	W	H	D	W	B	W	H
W4230	42"	30"	12"	18"	27"	20.5"	28.75"
W4236	42"	36"	12"	18"	33"	20.5"	34.75"

30" - 36" High Corner Wall



Item Code	Outer Dimensions			Opening Size		Door Size	
	W	H	D	W	B	W	H
CW2430	24"	30"	12"	13.5"	27"	14.5"	28.75"
CW2730	27"	30"	15"	13.5"	27"	14.5"	28.75"
CW2436	24"	36"	12"	13.5"	33"	14.5"	34.75"
CW2736	27"	36"	15"	13.5"	33"	14.5"	34.75"

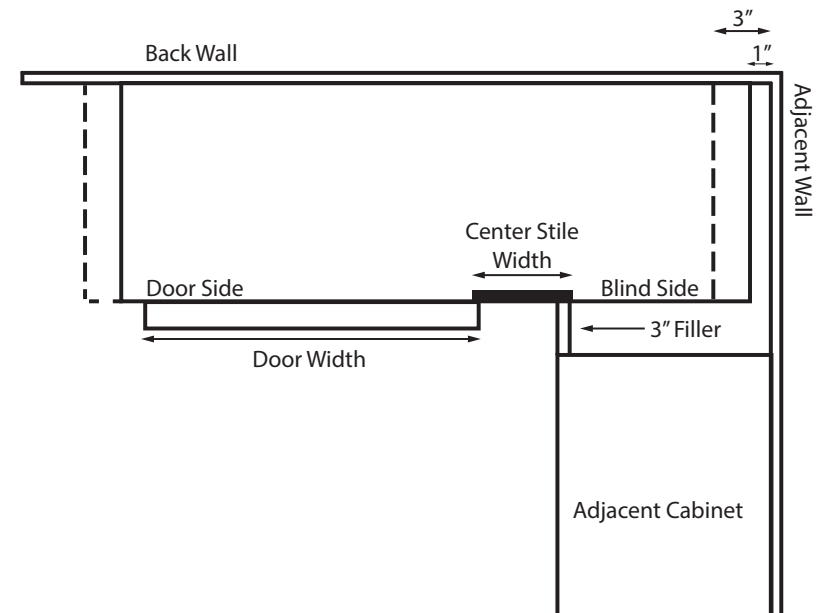
30" - 36" High Blind Wall



Item Code	Outer Dimensions			Opening Size		Door Size	
	W	H	D	A	B	W	H
BW2430	24"	30"	12"	9"	27"	11.5"	28.75"
BW3030	30"	30"	12"	15"	27"	17.5"	28.75"
BW3630	36"	30"	12"	21"	27"	23.5"	28.75"
BW2436	24"	36"	12"	9"	33"	11.5"	34.75"
BW3036	30"	36"	12"	15"	33"	17.5"	34.75"
BW3636	36"	36"	12"	21"	33"	23.5"	34.75"

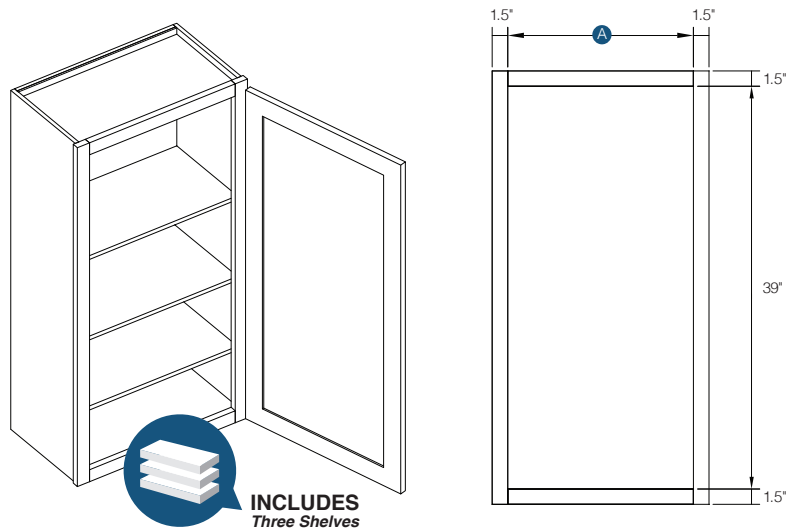
Installing a Blind Wall Cabinet

Proper installation ensures that the doors will open and show correct reveal



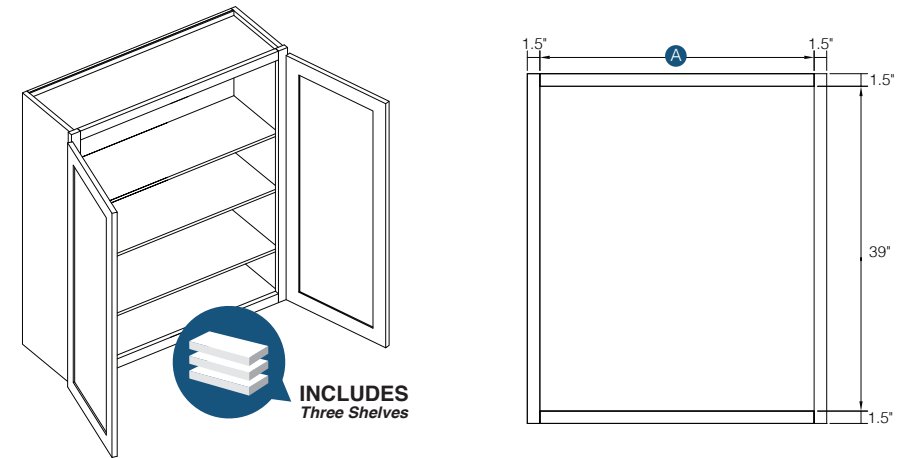
- Choose the blind side and assemble accordingly
- Place cabinet against the back wall and position the blind side 1"-3" away from the adjacent wall
- Place at least a 3" filler next to the adjacent cabinet
(filler is not included)

42" High Single Door Wall



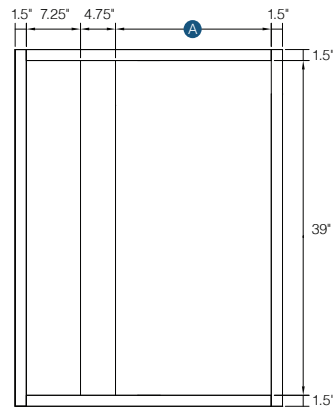
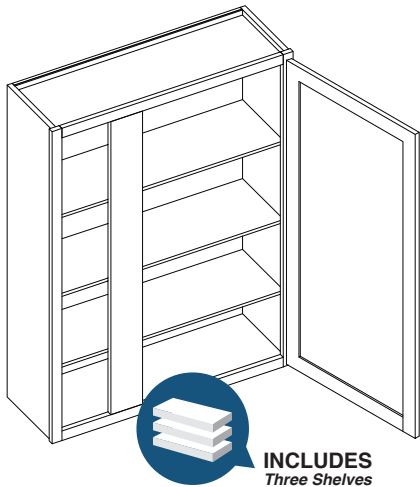
Item Code	Outer Dimensions			Opening Size		Door Size	
	W	H	D	A	H	W	H
W942	9"	42"	12"	6"	39"	8.5"	40.75"
W1242	12"	42"	12"	9"	39"	11.5"	40.75"
W1542	15"	42"	12"	12"	39"	14.5"	40.75"
W1842	18"	42"	12"	15"	39"	17.5"	40.75"
W2142	21"	42"	12"	18"	39"	20.5"	40.75"

42" High Double Door Wall



Item Code	Outer Dimensions			Opening Size		Door Size (x2)	
	W	H	D	A	H	W	H
W2442-2	24"	42"	12"	21"	39"	11.6875"	40.75"
W2742	27"	42"	12"	24"	39"	13.1875"	40.75"
W3042	30"	42"	12"	27"	39"	14.6875"	40.75"
W3342	33"	42"	12"	30"	39"	16.1875"	40.75"
W3642	36"	42"	12"	33"	39"	17.6875"	40.75"
W3942	39"	42"	12"	36"	39"	19.1875"	40.75"

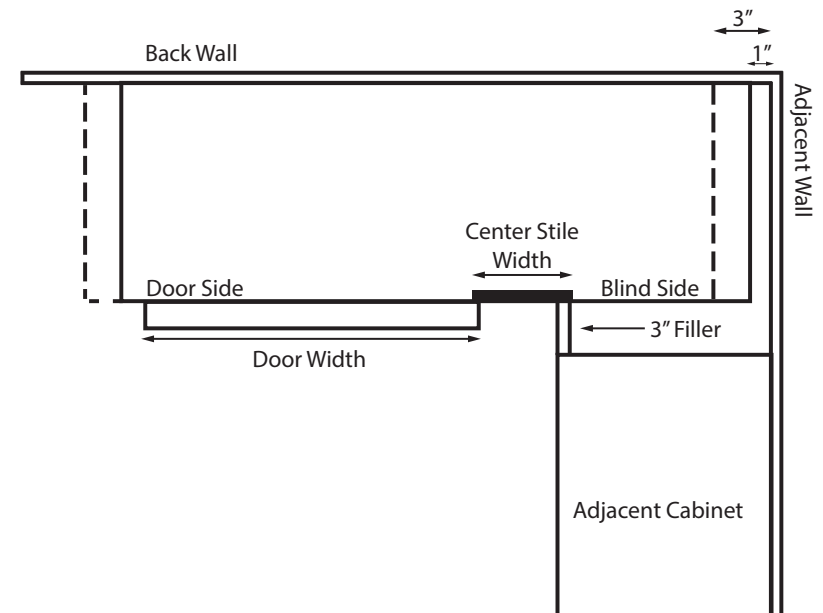
42" High Blind Wall



Item Code	Outer Dimensions			Opening Size		Door Size	
	W	H	D	A	H	W	H
BW2442	24"	42"	12"	9"	39"	11.5"	40.75"
BW3042	30"	42"	12"	15"	39"	17.5"	40.75"
BW3642	36"	42"	12"	21"	39"	23.5"	40.75"

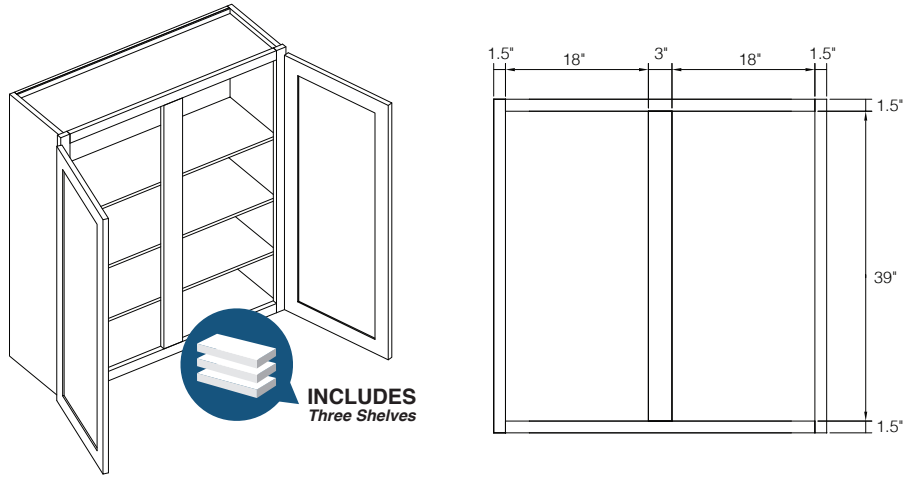
Installing a Blind Wall Cabinet

Proper installation ensures that the doors will open and show correct reveal



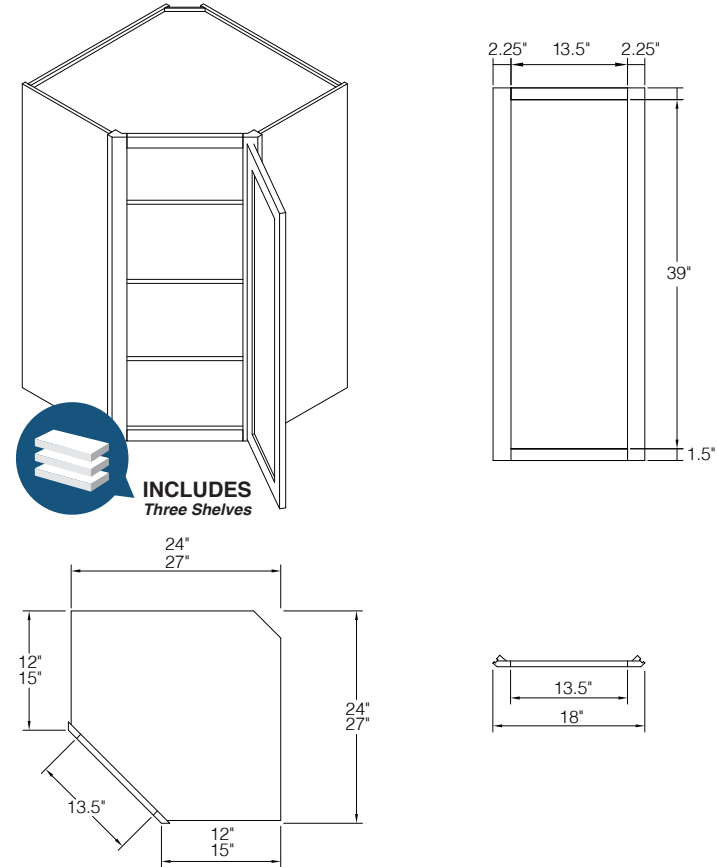
- Choose the blind side and assemble accordingly
- Place cabinet against the back wall and position the blind side 1"-3" away from the adjacent wall
- Place at least a 3" filler next to the adjacent cabinet
(filler is not included)

42" High Double Door Wall with Center Stile



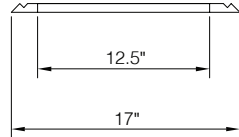
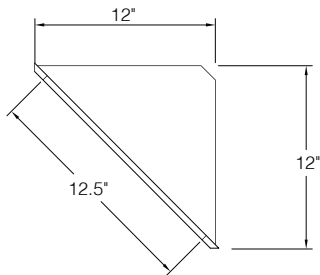
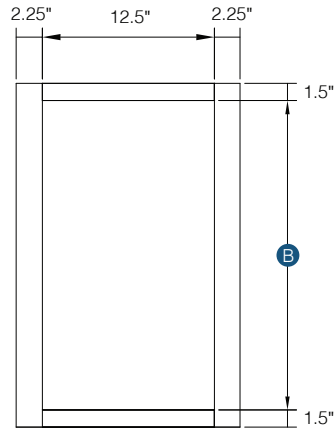
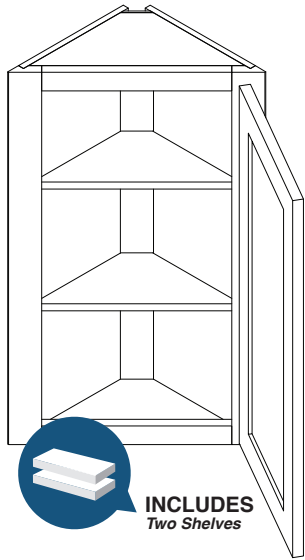
Item Code	Outer Dimensions			Opening Size		Door Size (x2)	
	W	H	D	W	H	W	H
W4242	42"	42"	12"	18"	39"	20.5"	40.75"

42" High Corner Wall



Item Code	Outer Dimensions			Opening Size		Door Size	
	W	H	D	W	H	W	H
CW2442	24"	42"	12"	13.5"	39"	14.5"	40.75"
CW2742	27"	42"	15"	13.5"	39"	14.5"	40.75"

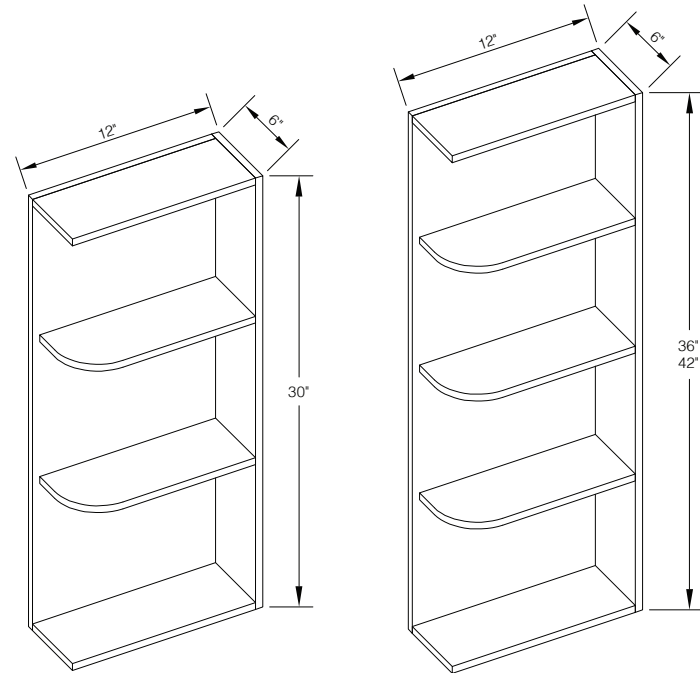
Wall End Cabinet



Item Code	Outer Dimensions			Opening Size		Door Size	
	W	H	D	W	B	W	H
WEC30	17"	30"	12"	12.5"	27"	13.5"	28.75"
WEC36	17"	36"	12"	12.5"	33"	13.5"	34.75"
WEC42*	17"	42"	12"	12.5"	39"	13.5"	40.75"

*WEC42 Includes 3 Shelves

Wall End Shelf



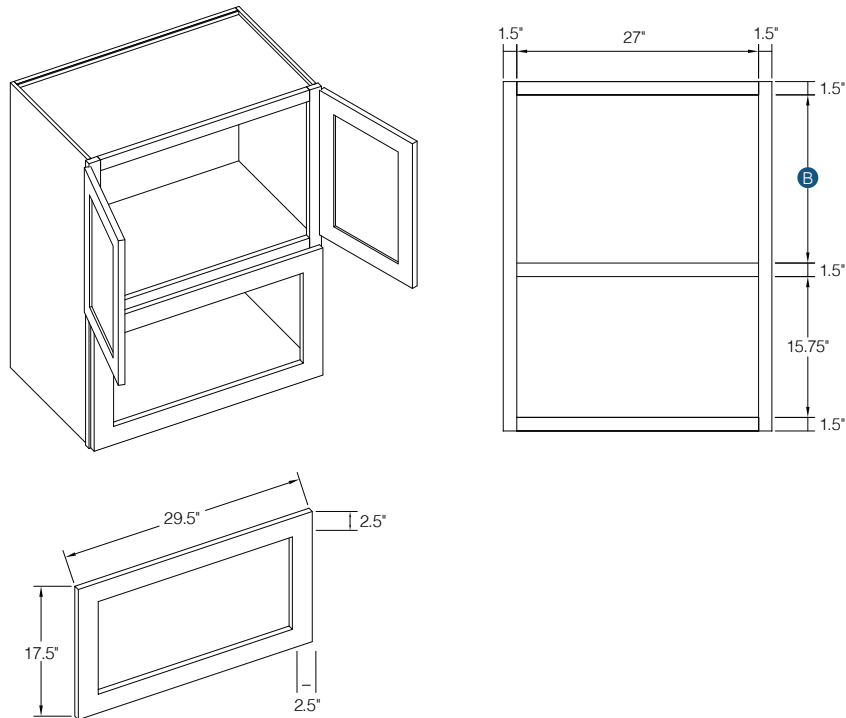
Item Code	Outer Dimensions		
	W	H	D
WQR630*	6"	30"	12"
WQR636**	6"	36"	12"
WQR642**	6"	42"	12"

*WQR630 has two shelves

**WQR636,WQR642 have three shelves

Shelves are 5.25" wide and 12" deep

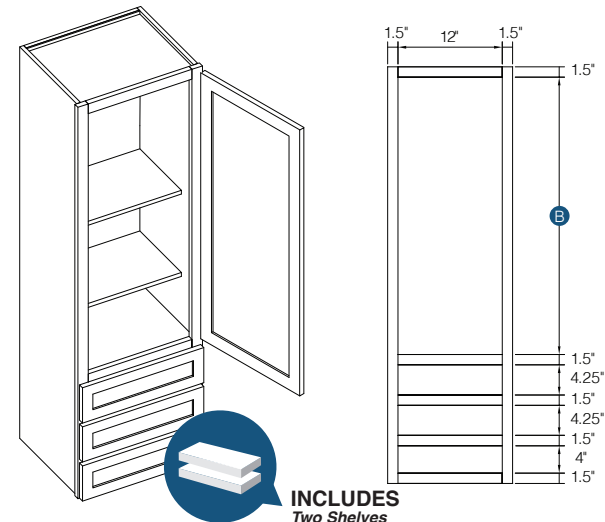
Wall Microwave Cabinet



Item Code	Outer Dimensions			Opening Size		Door Size (x2)	
	W	H	D	W	B	W	H
WMW303318	30"	33"	18"	27"	12.75"	14.6875"	13.75"
WMW303918	30"	39"	18"	27"	18.75"	14.6875"	19.75"
WMW304518	30"	45"	18"	27"	24.75"	14.6875"	25.75"

Trim overlay as needed to fit microwave door profile and attach to the cabinet frame

Wall Tower with 3 Drawers



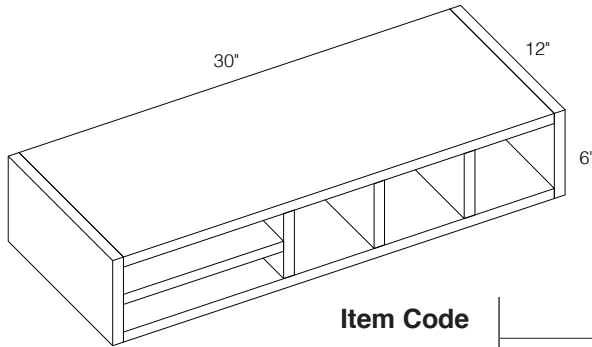
Item Code	Outer Dimensions			Door Opening		Door Size	
	W	H	D	W	B	W	H
DWR1548	15"	48"	15"	12"	28"	14.5"	28.75"
DWR1554	15"	54"	15"	12"	34"	14.5"	34.75"
DWR1560*	15"	60"	15"	12"	40"	14.5"	40.75"

Item Code	Top/Middle Opening		Top/Middle Drawer Front Size	
	W	H	W	H
DWR1548	12"	4.25"	14.5"	5.5"
DWR1554	12"	4.25"	14.5"	5.5"
DWR1560	12"	4.25"	14.5"	5.5"

Item Code	Bottom Opening		Bottom Drawer Front Size	
	W	H	W	H
DWR1548	12"	4"	14.5"	5.5"
DWR1554	12"	4"	14.5"	5.5"
DWR1560	12"	4"	14.5"	5.5"

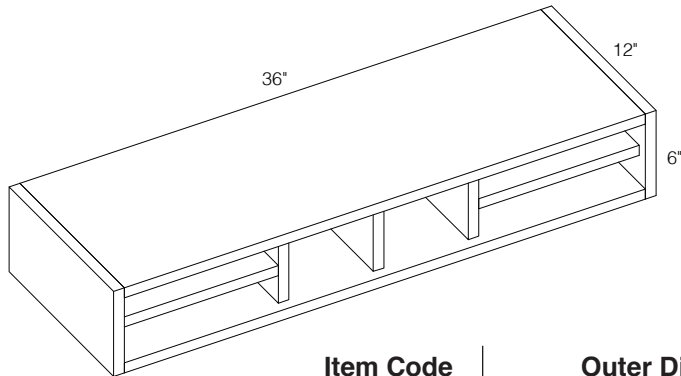
*DWR1560 - Includes 3 shelves

Wall Organizer



Item Code	Outer Dimensions		
	W	H	D
W0306	30"	6"	12"

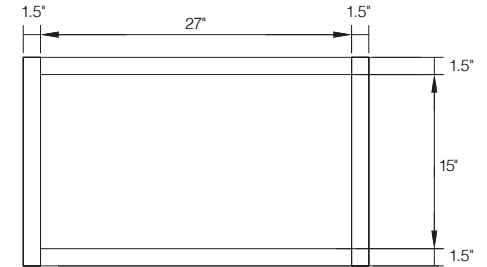
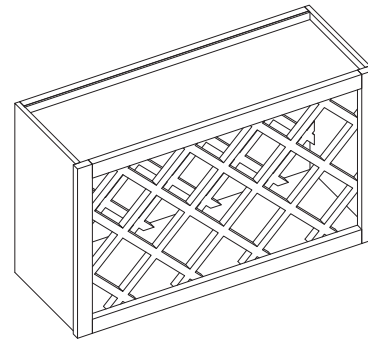
5/8" Thick plywood
Designed to fit under 30" wide wall cabinet



Item Code	Outer Dimensions		
	W	H	D
W0366	36"	6"	12"

5/8" Thick plywood
Designed to fit under 36" wide wall cabinet

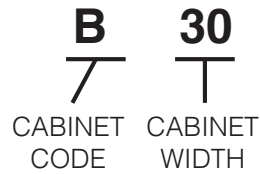
Wine Rack



Item Code	Outer Dimensions			Opening Size	
	W	H	D	W	H
WR3018	27"	15"	12"	27"	15"

Can be installed vertically or horizontally
Wine Rack holds 11 standard wine bottles

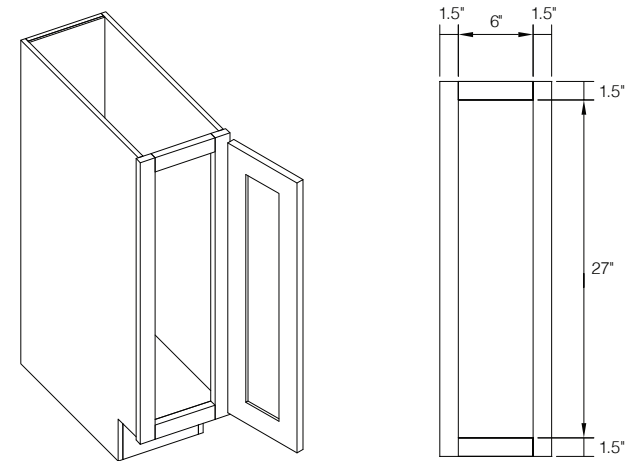
Base Cabinet Coding



Notes:

- Standard base cabinets are 24" deep and 34.5" high.
- Add door thickness for total cabinet depth.
- Please refer to the Products by Cabinet Line chart to determine which products are carried for each cabinet line.

Single Door Full Height Base



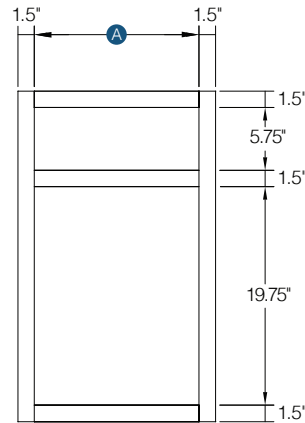
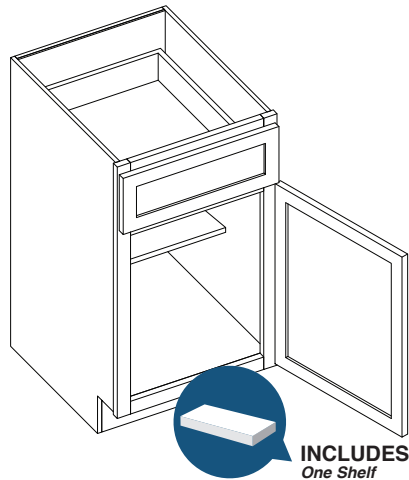
Item Code	Outer Dimensions			Opening Size		Door Size	
	W	H	D	W	H	W	H
B09	9"	34.5"	24"	6"	27"	8.5"	28.75"

Single Door Full Height Base

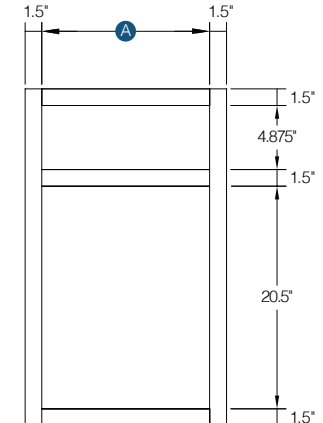
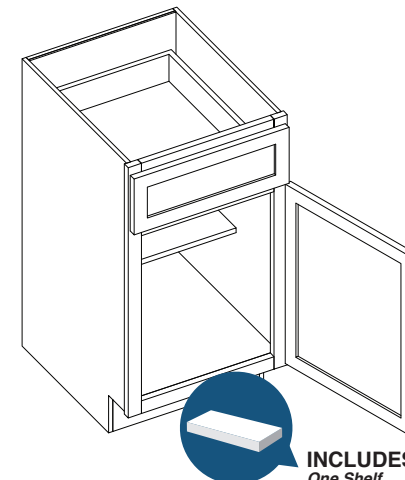
Value Series

Item Code	Outer Dimensions			Opening Size		Door Size	
	W	H	D	W	H	W	H
B09	9"	34.5"	24"	6"	27"	8.625"	28.5"

Single Door Standard Base *Premier and Select Series*



Single Door Standard Base *Value Series*



Item Code	Outer Dimensions			Drawer Opening		Door Opening	
	W	H	D	A	H	A	H
B12	12"	34.5"	24"	9"	5.75"	9"	19.75"
B15	15"	34.5"	24"	12"	5.75"	12"	19.75"
B18	18"	34.5"	24"	15"	5.75"	15"	19.75"
B21	21"	34.5"	24"	18"	5.75"	18"	19.75"
B24-1	24"	34.5"	24"	21"	5.75"	21"	19.75"

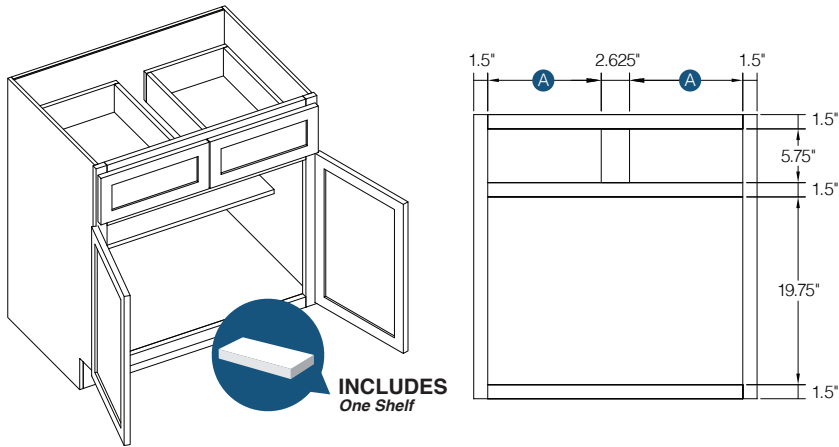
Item Code	Drawer Front Size		Door Size	
	W	H	W	H
B12	11.5"	6.75"	11.5"	21.5"
B15	14.5"	6.75"	14.5"	21.5"
B18	17.5"	6.75"	17.5"	21.5"
B21	20.5"	6.75"	20.5"	21.5"
B24-1	23.5"	6.75"	23.5"	21.5"

Item Code	Outer Dimensions			Drawer Opening		Door Opening	
	W	H	D	A	H	A	H
B12	12"	34.5"	24"	9"	4.875"	9"	20.5"
B15	15"	34.5"	24"	12"	4.875"	12"	20.5"
B18	18"	34.5"	24"	15"	4.875"	15"	20.5"
B21	21"	34.5"	24"	18"	4.875"	18"	20.5"

Item Code	Drawer Front Size		Door Size	
	W	H	W	H
B12	11.5"	5.75"	11.5"	22.25"
B15	14.5"	5.75"	14.5"	22.25"
B18	17.5"	5.75"	17.5"	22.25"
B21	20.5"	5.75"	20.5"	22.25"

Double Door Standard Base

Premier and Select Series



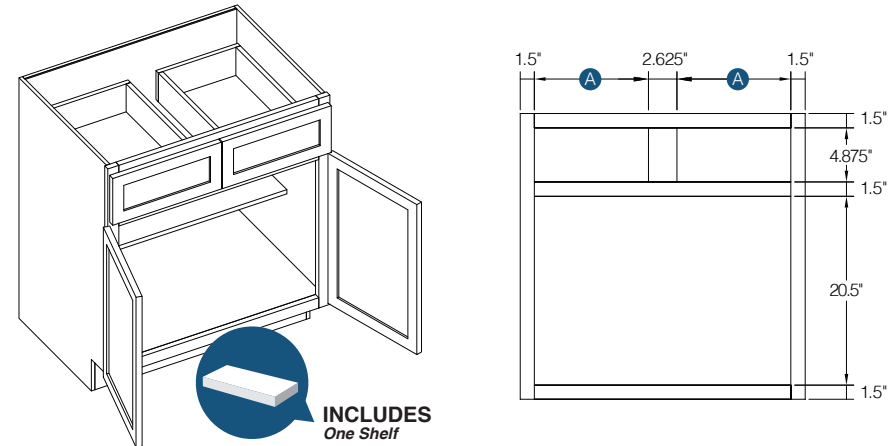
Item Code	Outer Dimensions			Drawer Opening (x2)		Door Opening	
	W	H	D	A	H	A	H
B24-2*	24"	34.5"	24"	21"	5.75"	21"	19.75"
B27	27"	34.5"	24"	10.6875"	5.75"	24"	19.75"
B30	30"	34.5"	24"	12.1875"	5.75"	27"	19.75"
B33	33"	34.5"	24"	13.6875"	5.75"	30"	19.75"
B36	36"	34.5"	24"	15.1875"	5.75"	33"	19.75"
B39	39"	34.5"	24"	16.6875"	5.75"	36"	19.75"

Item Code	Drawer Front Size (x2)		Door Size (x2)	
	W	H	W	H
B24-2*	23.5"	6.75"	11.6875"	21.5"
B27	13.1875"	6.75"	13.1875"	21.5"
B30	14.6875"	6.75"	14.6875"	21.5"
B33	16.1875"	6.75"	16.1875"	21.5"
B36	17.6875"	6.75"	17.6875"	21.5"
B39	19.1875"	6.75"	19.1875"	21.5"

*B24-2 has one drawer and two doors. Drawer measurements provided are for single drawer.

Double Door Standard Base

Value Series

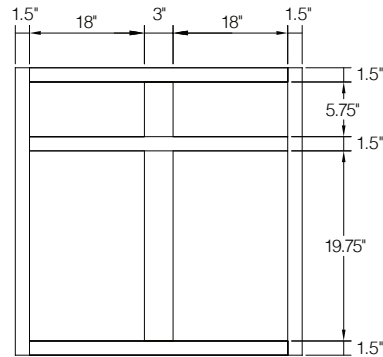
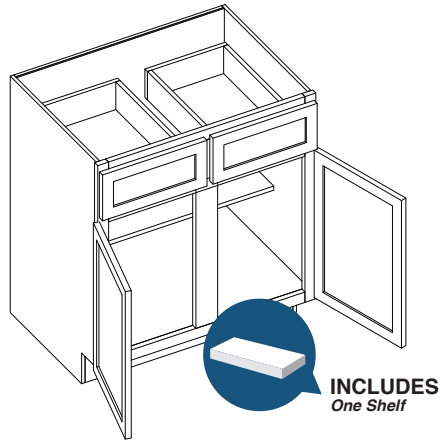


Item Code	Outer Dimensions			Drawer Opening (x2)		Door Opening	
	W	H	D	A	H	A	H
B24-2*	24"	34.5"	24"	21"	4.875"	21"	20.5"
B27	27"	34.5"	24"	10.5"	4.875"	24"	20.5"
B30	30"	34.5"	24"	12"	4.875"	27"	20.5"
B33	33"	34.5"	24"	13.5"	4.875"	30"	20.5"
B36	36"	34.5"	24"	15"	4.875"	33"	20.5"

Item Code	Drawer Front Size (x2)		Door Size (x2)	
	W	H	W	H
B24-2*	23.5"	5.75"	11.625"	22.25"
B27	13.125"	5.75"	13.125"	22.25"
B30	14.625"	5.75"	14.625"	22.25"
B33	16.125"	5.75"	16.125"	22.25"
B36	17.625"	5.75"	17.625"	22.25"

*B24-2 has one drawer and two doors. Drawer measurements provided are for single drawer.

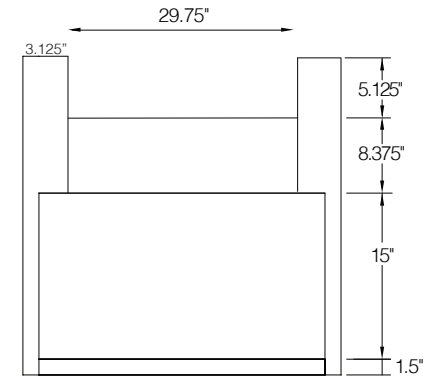
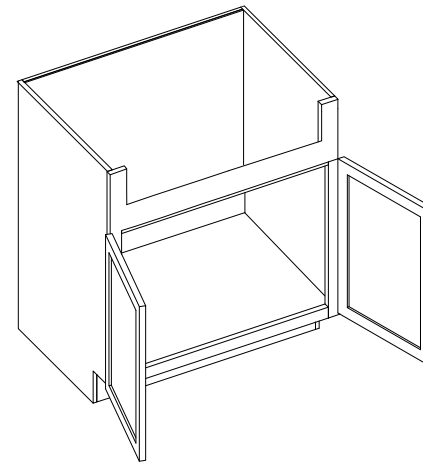
Double Door Standard Base with Center Stile



Item Code	Outer Dimensions			Drawer Opening (x2)		Door Opening (x2)	
	W	H	D	W	H	W	H
B42	42"	34.5"	24"	18"	5.75"	18"	19.75"

Item Code	Drawer Front Size (x2)		Door Size (x2)	
	W	H	W	H
B42	20.5"	6.75"	20.5"	21.5"

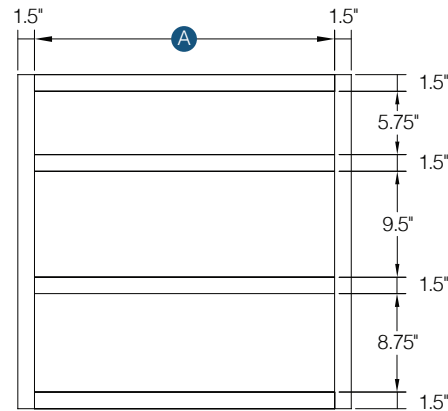
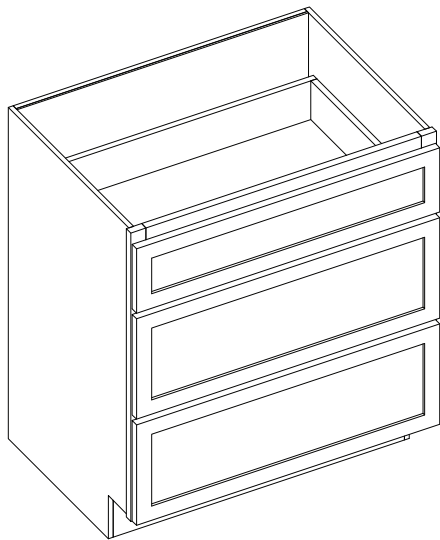
36" Farm House Sink Base



Item Code	Outer Dimensions			Door Opening	
	W	H	D	W	H
FSB36	36"	34.5"	24"	33"	15"

Item Code	Door Size (x2)	
	W	H
FSB36	17.687"	17"

Drawer Base Premier and Select Series

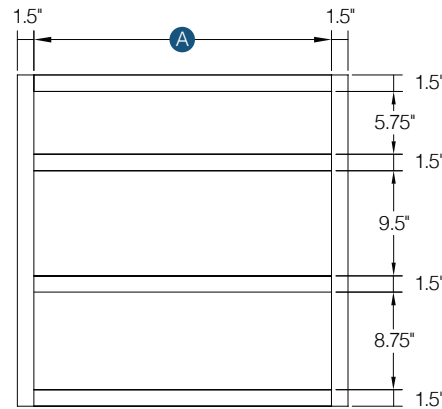
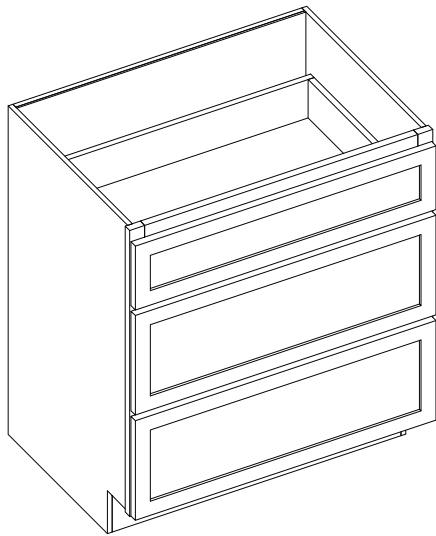


Item Code	Outer Dimensions			Top Opening		Top Drawer Front Size	
	W	H	D	A	H	A	H
DB12-3	12"	34.5"	24"	9"	5.75"	11.5"	6.75"
DB15-3	15"	34.5"	24"	12"	5.75"	14.5"	6.75"
DB18-3	18"	34.5"	24"	15"	5.75"	17.5"	6.75"
DB24-3	24"	34.5"	24"	21"	5.75"	23.5"	6.75"
DB30-3	30"	34.5"	24"	27"	5.75"	29.5"	6.75"
DB36-3	36"	34.5"	24"	33"	5.75"	35.5"	6.75"

Item Code	Middle Opening		Middle Drawer Front Size	
	A	H	A	H
DB12-3	9"	9.5"	11.5"	10.5"
DB15-3	12"	9.5"	14.5"	10.5"
DB18-3	15"	9.5"	17.5"	10.5"
DB24-3	21"	9.5"	23.5"	10.5"
DB30-3	27"	9.5"	29.5"	10.5"
DB36-3	33"	9.5"	35.5"	10.5"

Item Code	Bottom Opening		Bottom Drawer Front Size	
	A	H	A	H
DB12-3	9"	8.75"	11.5"	10.5"
DB15-3	12"	8.75"	14.5"	10.5"
DB18-3	15"	8.75"	17.5"	10.5"
DB24-3	21"	8.75"	23.5"	10.5"
DB30-3	27"	8.75"	29.5"	10.5"
DB36-3	33"	8.75"	35.5"	10.5"

Drawer Base *Value Series*

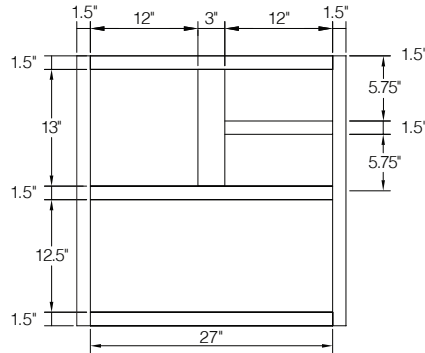
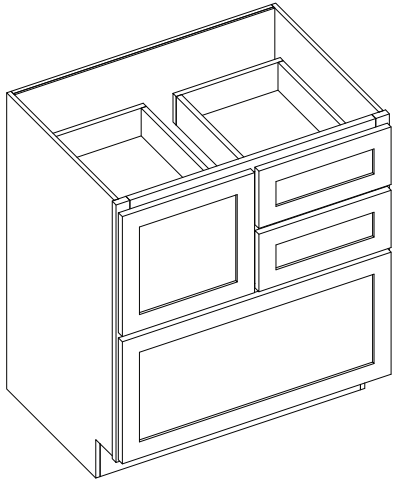


Item Code	Outer Dimensions			Top Opening		Top Drawer Front Size	
	W	H	D	A	H	A	H
DB12-3	12"	34.5"	24"	9"	4.875"	11.5"	5.75"
DB15-3	15"	34.5"	24"	12"	4.875"	14.5"	5.75"
DB18-3	18"	34.5"	24"	15"	4.875"	17.5"	5.75"
DB21-3	21"	34.5"	24"	18"	4.875"	20.5"	5.75"
DB24-3	24"	34.5"	24"	21"	4.875"	23.5"	5.75"
DB30-3	30"	34.5"	24"	27"	4.875"	29.5"	5.75"

Item Code	Middle Opening		Middle Drawer Front Size	
	A	H	A	H
DB12-3	9"	9.875"	11.5"	10.25"
DB15-3	12"	9.875"	14.5"	10.25"
DB18-3	15"	9.875"	17.5"	10.25"
DB21-3	18"	9.875"	20.5"	10.25"
DB24-3	21"	9.875"	23.5"	10.25"
DB30-3	27"	9.875"	29.5"	10.25"

Item Code	Bottom Opening		Bottom Drawer Front Size	
	A	H	A	H
DB12-3	9"	9.125"	11.5"	10.5"
DB15-3	12"	9.125"	14.5"	10.5"
DB18-3	15"	9.125"	17.5"	10.5"
DB21-3	18"	9.125"	20.5"	10.5"
DB24-3	21"	9.125"	23.5"	10.5"
DB30-3	27"	9.125"	29.5"	10.5"

Cooking Center

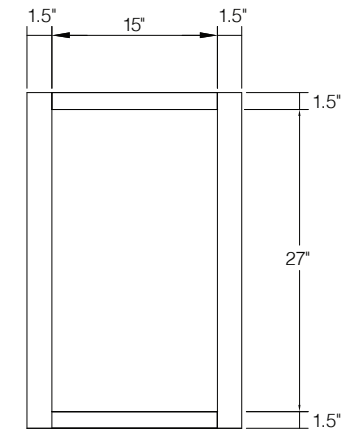
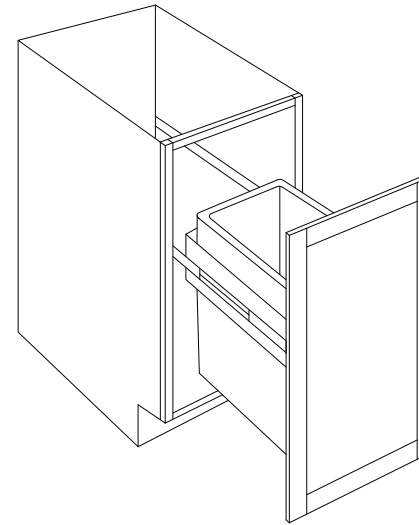


Item Code	Outer Dimensions			Top Opening		Top Drawer Front Size	
	W	H	D	W	H	W	H
CC30	30"	34.5"	24"	12"	5.75"	14.5"	6.75"

Item Code	Left Drawer Opening		Left Drawer Front Size	
	W	H	W	H
CC30	12"	13"	14.5"	14"

Item Code	Bottom Drawer Opening		Bottom Drawer Front Size	
	W	H	W	H
CC30	27"	12.5"	29.5"	14.25"

Trash Can Base (Full Height)



Item Code	Outer Dimensions			Opening Size		Door Size	
	W	H	D	W	H	W	H
TRB-1*	18"	34.5"	24"	15"	27"	17.5"	28.75"
TRB-2**	18"	34.5"	24"	15"	27"	17.5"	28.75"

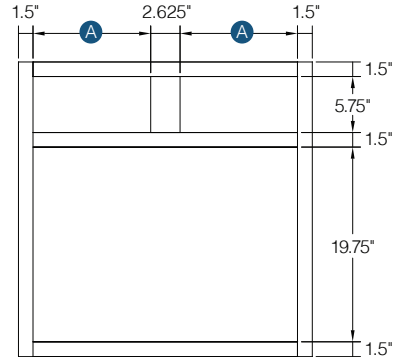
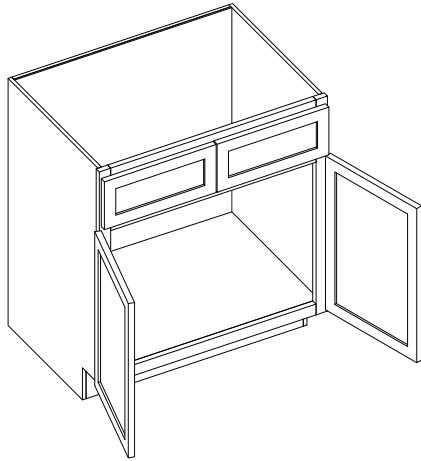
TRB-1 shown

*TRB-1 includes one 50 QT can

**TRB-2 includes two 35 QT cans

Sink Base

Premier and Select Series

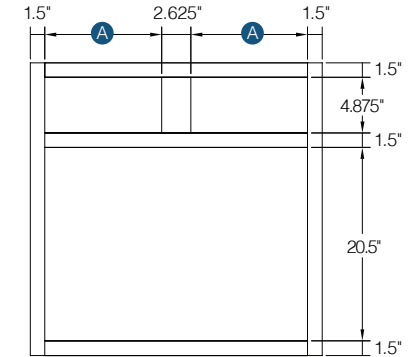
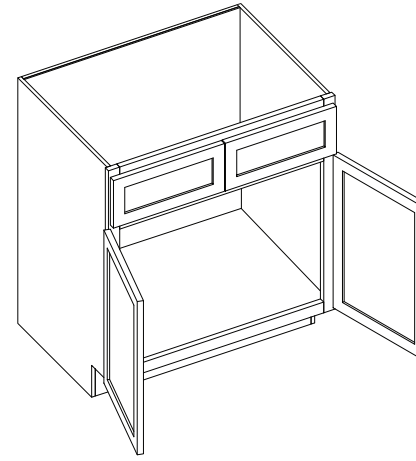


Item Code	Outer Dimensions			False Drawer Opening (x2)		Door Opening	
	W	H	D	A	H	W	H
SB30	30"	34.5"	24"	12.1875"	5.75"	27"	19.75"
SB33	33"	34.5"	24"	13.6875"	5.75"	30"	19.75"
SB36	36"	34.5"	24"	15.1875"	5.75"	33"	19.75"

Item Code	False Drawer Front Size (x2)		Door Size (x2)	
	W	H	W	H
SB30	14.6875"	6.75"	14.6875"	21.5"
SB33	16.1875"	6.75"	16.1875"	21.5"
SB36	17.6875"	6.75"	17.6875"	21.5"

Sink Base

Value Series

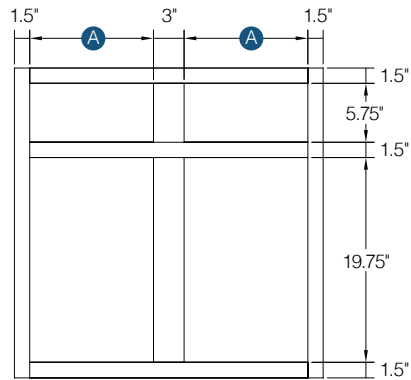
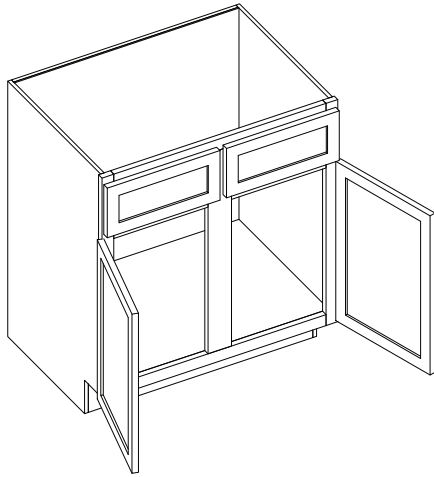


Item Code	Outer Dimensions			False Drawer Opening (x2)		Door Opening	
	W	H	D	A	H	W	H
SB30	30"	34.5"	24"	12"	4.875"	27"	20.5"
SB33	33"	34.5"	24"	13.5"	4.875"	30"	20.5"
SB36	36"	34.5"	24"	15"	4.875"	33"	20.5"

Item Code	False Drawer Front Size (x2)		Door Size (x2)	
	W	H	W	H
SB30	14.625"	5.75"	14.625"	22.25"
SB33	16.125"	5.75"	16.125"	22.25"
SB36	17.625"	5.75"	17.625"	22.25"

Sink Base with Center Stile

Premier and Select Series

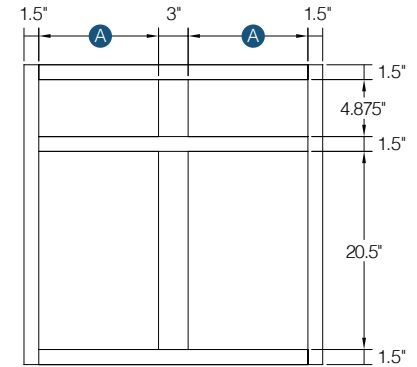
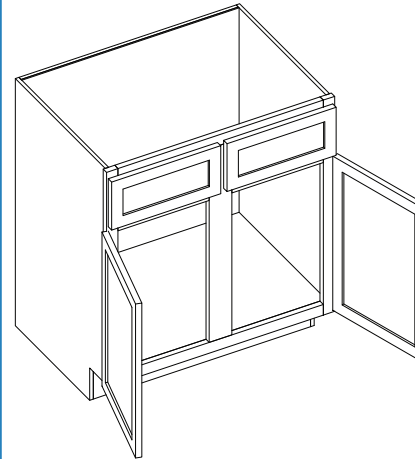


Item Code	Outer Dimensions			False Drawer Opening (x2)		Door Opening	
	W	H	D	A	H	W	H
SB42	42"	34.5"	24"	18"	5.75"	39"	19.75"
SB48	48"	34.5"	24"	21"	5.75"	45"	19.75"

Item Code	False Drawer Front Size (x2)		Door Size (x2)	
	W	H	W	H
SB42	20.5"	6.75"	20.5"	21.5"
SB48	23.5"	6.75"	23.5"	21.5"

Sink Base with Center Stile

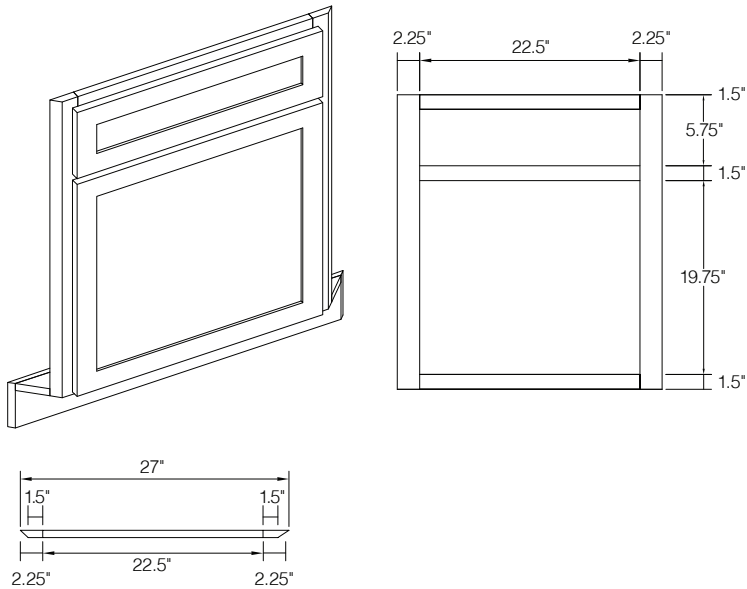
Value Series



Item Code	Outer Dimensions			False Drawer Opening (x2)		Door Opening	
	W	H	D	A	H	W	H
SB42	42"	34.5"	24"	18"	4.875"	18"	20.5"

Item Code	False Drawer Front Size (x2)		Door Size (x2)	
	W	H	W	H
SB42	20"	5.75"	20"	22.25"

Corner Sink Front Premier and Select Series

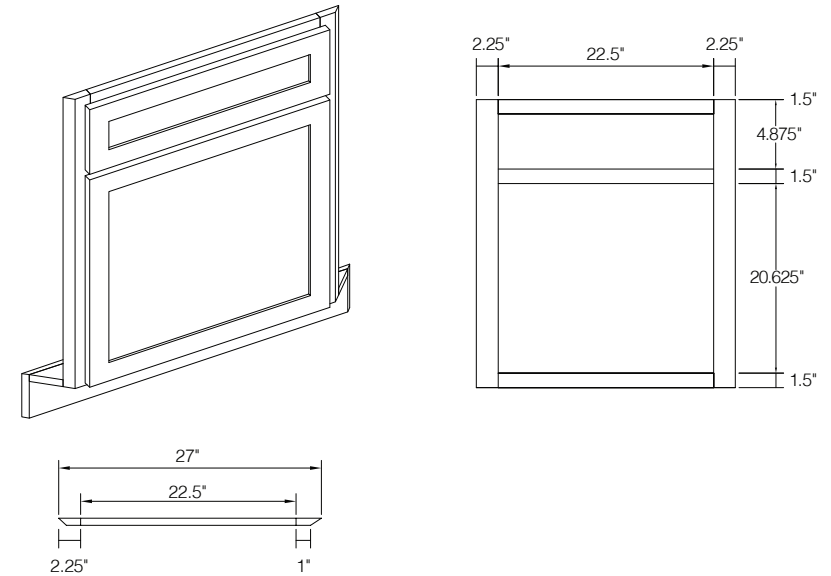


Item Code	Outer Dimensions			Door Opening		Door Size	
	W	H	D	W	H	W	H
CSF42	27	34.5	2	22.5"	19.75"	23.5"	21.5"

Item Code	Drawer Opening		Drawer Front Size	
	W	H	W	H
CSF42	22.5"	5.75"	23.5"	6.75"

Sink floor sold separately - YN-CSF-FLOOR

Corner Sink Front Value Series

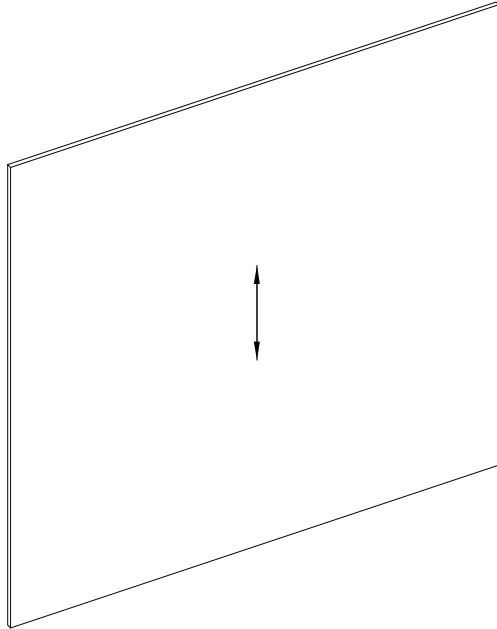


Item Code	Outer Dimensions			Door Opening		Door Size	
	W	H	D	W	H	W	H
CSF42	27	34.5	2	22.5"	20.625"	23.5"	22.25"

Item Code	Drawer Opening		Drawer Front Size	
	W	H	W	H
CSF42	22.5"	4.875"	23.5"	5.75"

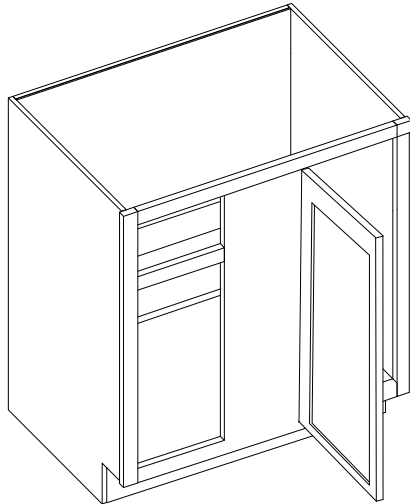
Sink floor sold separately - YN-CSF-FLOOR

Corner Sink Front Floor



Item Code	Size		
	L	W	D
CSF-FLOOR	48"	48"	.5"

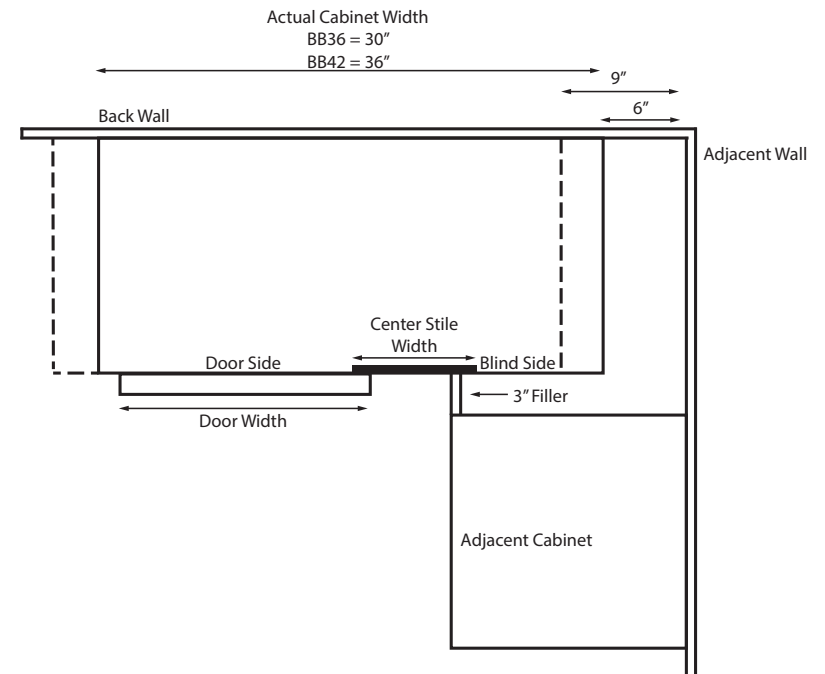
36" Blind Base



Item Code	Outer Dimensions			Door Opening		Door Size	
	W	H	D	W	H	W	H
BB36	30"	34.5"	24"	9"	27"	11.5"	28.75"

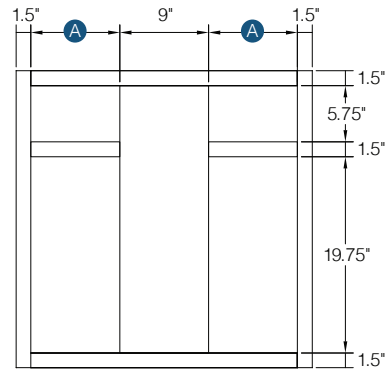
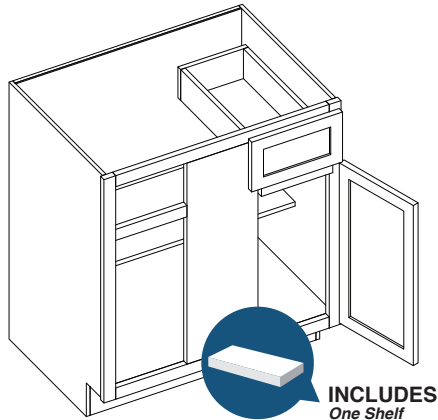
Installing a 36" - 42" Blind Base

Proper installation ensures that the drawer will clear hardware, and doors will open, and show correct reveal



- Choose the blind side and assemble accordingly
- Place the cabinet back against the back wall
 - BB36 and BB42 – position the blind side 6"-9" away from the adjacent wall
- Place at least a 3" filler next to the adjacent cabinet
(filler is not included)

42" - 48" Blind Base

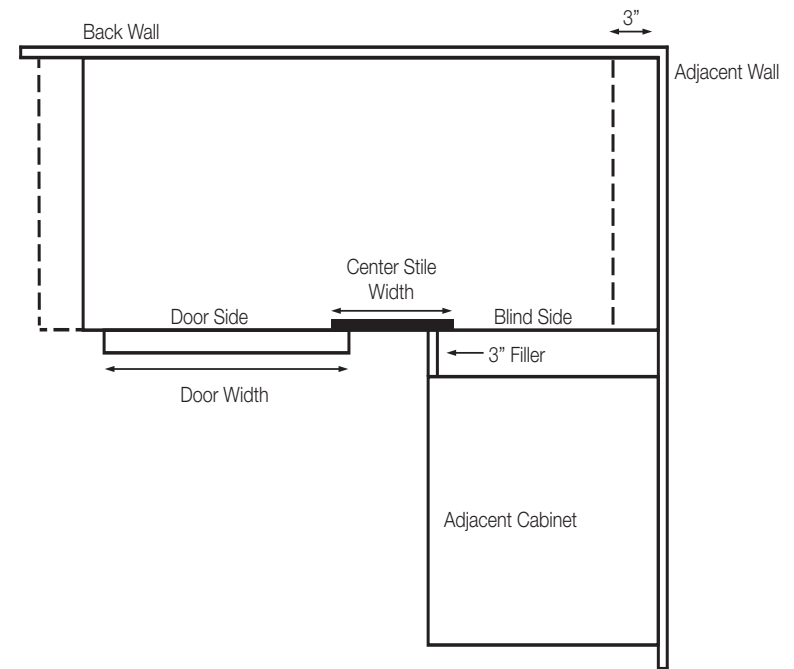


Item Code	Outer Dimensions			Drawer Opening		Door Opening	
	W	H	D	A	H	A	H
BB42	36"	34.5"	24"	12"	5.75"	12"	19.75"
BB48	48"	34.5"	24"	18"	5.75"	18"	19.75"

Item Code	Drawer Front Size		Door Size	
	W	H	W	H
BB42	14.5"	6.75"	14.5"	21.5"
BB48	20.5"	6.75"	20.5"	21.5"

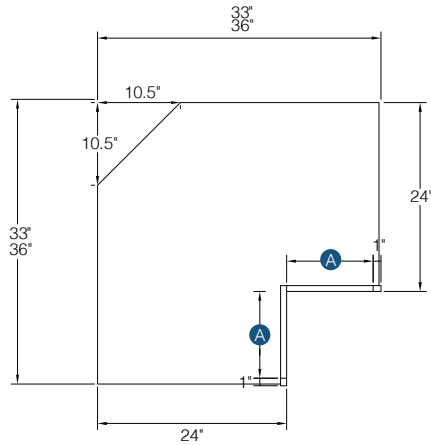
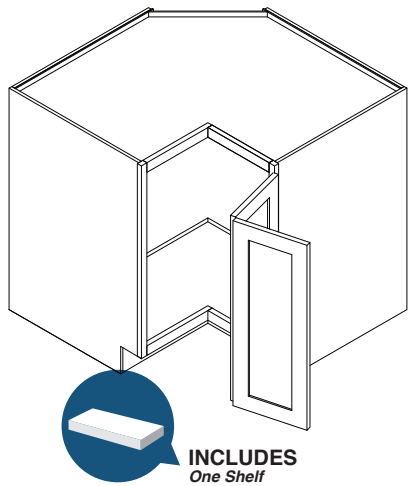
Installing a 48" Blind Base

Proper installation ensures that the drawer will clear hardware, and doors will open, and show correct reveal



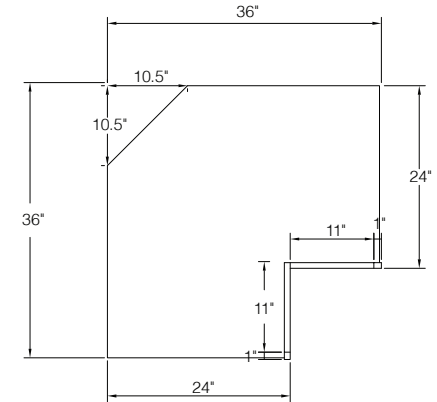
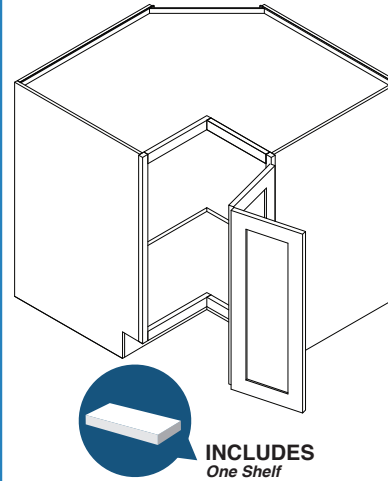
- Choose the blind side and assemble accordingly
- Place the cabinet back against the back wall
 - BB48 – position the blind side 0"-3" away from the adjacent wall
- Place at least a 3" filler next to the adjacent cabinet
(filler is not included)

Easy Reach Premier and Select Series



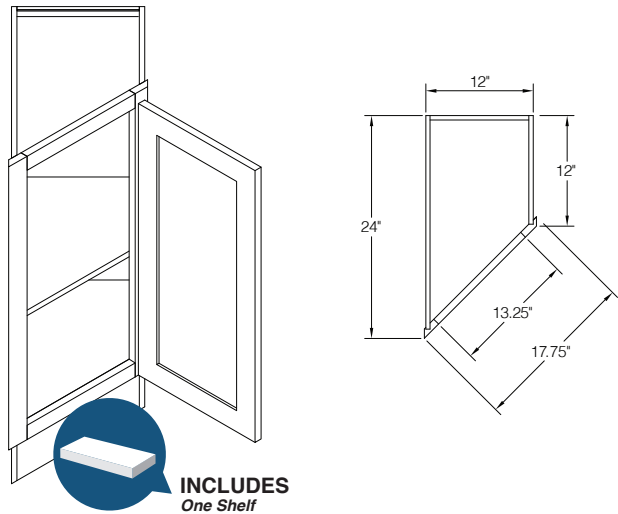
Item Code	Outer Dimensions			Door Opening		Door Size	
	W	H	D	A	H	A	H
ER33	33"	34.5"	24"	8.75"	27"	7.75"	28.75"
ER36	36"	34.5"	24"	11.75"	27"	10.875"	28.75"

Easy Reach Value Series



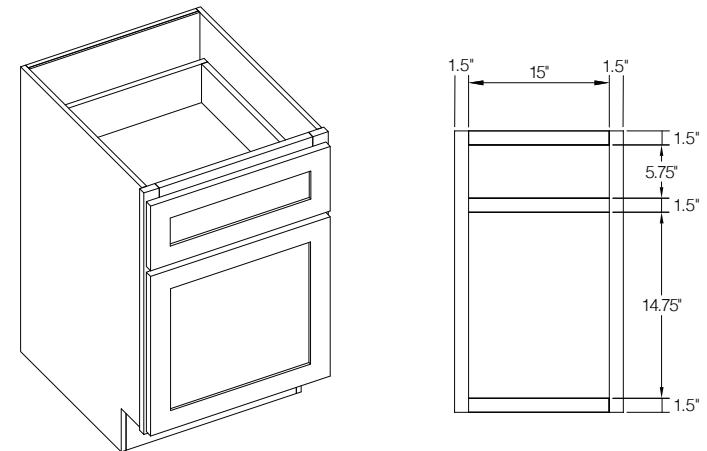
Item Code	Outer Dimensions			Door Opening		Door Size	
	W	H	D	W	H	W	H
ER36	36"	34.5"	24"	11"	27"	10.75"	28.75"

Angle Base



Item Code	Outer Dimensions			Door Opening		Door Size	
	W	H	D	W	H	W	H
TAB12FHD-L	12"	34.5"	24"	13.25"	27"	14.25"	28.75"
TAB12FHD-R	12"	34.5"	24"	13.25"	27"	14.25"	28.75"

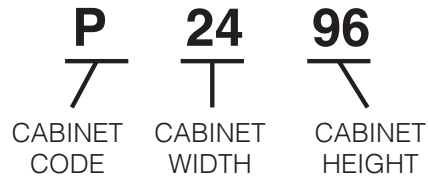
Desk Drawer Base



Item Code	Outer Dimensions			Top Opening		Top Drawer Front Size	
	W	H	D	W	H	W	H
DDB18	18"	29.5"	24"	15"	5.75"	17.5"	6.75"

Item Code	Bottom Opening		Bottom Drawer Front Size	
	W	H	W	H
DDB18	15"	14.75"	17.5"	16.75"

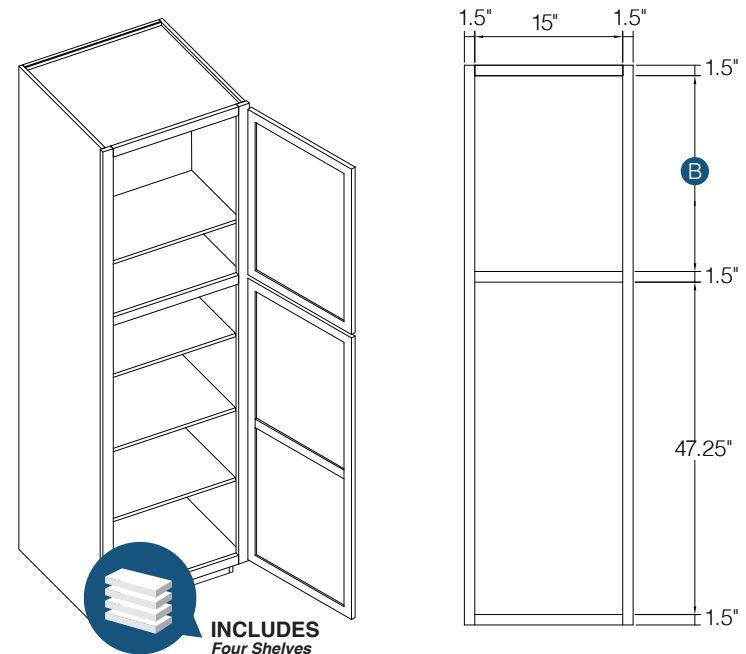
Tall Cabinet Coding



Notes:

- Standard tall cabinets are 24" deep.
- Add door thickness for total cabinet depth.
- Please refer to the Products by Cabinet Line chart to determine which products are carried for each cabinet line.

Single Door Pantry

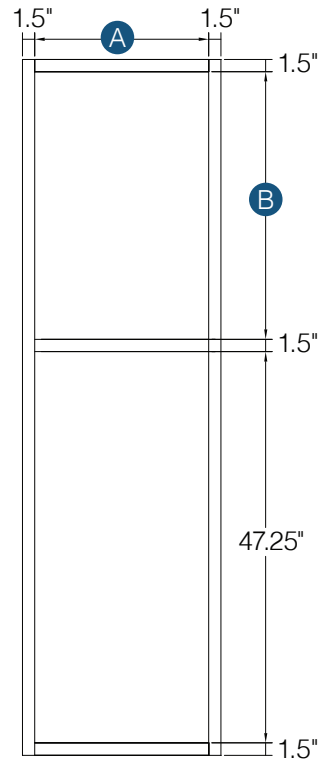
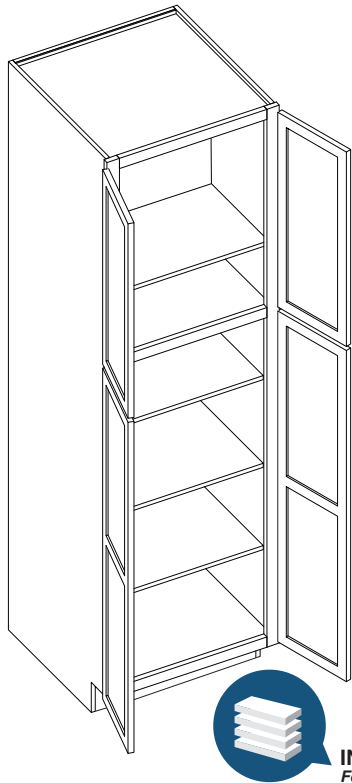


Item Code	Outer Dimensions			Top Opening		Top Door Size	
	W	H	D	W	B	W	H
P1884	18"	84"	24"	15"	27.75"	17.5"	28.75"
P1890	18"	90"	24"	15"	33.75"	17.5"	34.75"
P1896*	18"	96"	24"	15"	39.75"	17.5"	40.75"

Item Code	Bottom Opening		Bottom Door Size	
	W	H	W	H
P1884	15"	47.25"	17.5"	49"
P1890	15"	47.25"	17.5"	49"
P1896*	15"	47.25"	17.5"	49"

* P1896 - Includes 5 shelves

Double Door Pantry

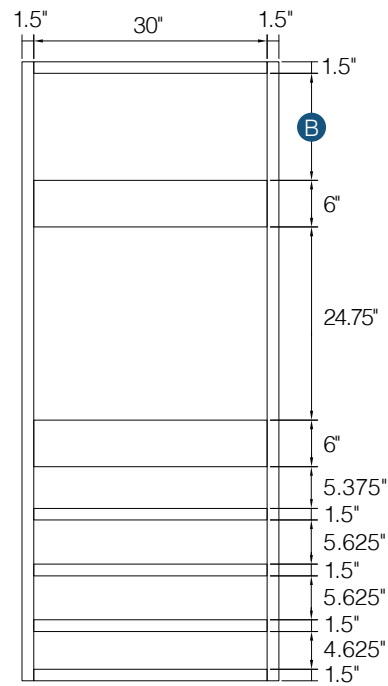
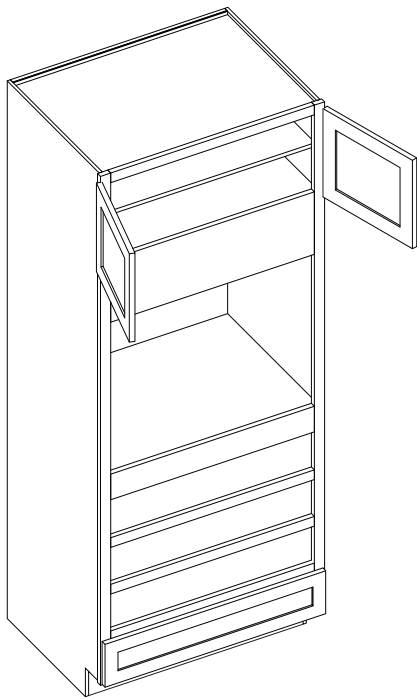


Item Code	Outer Dimensions			Top Opening		Top Door Size	
	W	H	D	A	B	W	H
P2484	24"	84"	24"	21"	27.75"	11.6875"	28.75"
P2490	24"	90"	24"	21"	33.75"	11.6875"	34.75"
P2496*	24"	96"	24"	21"	39.75"	11.6875"	40.75"
P3084	30"	84"	24"	27"	27.75"	14.6875"	28.75"
P3090	30"	90"	24"	27"	33.75"	14.6875"	34.75"
P3096*	30"	96"	24"	27"	39.75"	14.6875"	40.75"

Item Code	Bottom Opening		Bottom Door Size	
	W	H	W	H
P2484	21"	47.25"	11.6875"	49"
P2490	21"	47.25"	11.6875"	49"
P2496*	21"	47.25"	11.6875"	49"
P3084	27"	47.25"	14.6875"	49"
P3090	27"	47.25"	14.6875"	49"
P3096*	27"	47.25"	14.6875"	49"

* P2496 and P3096 - Includes 5 shelves

Oven Cabinet



Item Code	Outer Dimensions		
	W	H	D
OC3384*	33	84	24
OC3390**	33	90	24
OC3396***	33	96	24

Item Code	Door Opening		Door Size	
	W	B	W	H
OC3384*	30"	13.75"	16.1875"	15.5"
OC3390**	30"	19.75"	16.1875"	21.5"
OC3396***	30"	25.75"	16.1875"	27.5"

Item Code	Top Drawer Opening		Top Drawer Front Size	
	W	H	W	H
OC3384*	30"	5.375"	32.5"	6.75"
OC3390**	30"	5.375"	32.5"	6.75"
OC3396***	30"	5.375"	32.5"	6.75"

Item Code	Middle Drawer Opening		Middle Drawer Front Size	
	W	H	W	H
OC3384*	30"	5.375"	32.5"	6.75"
OC3390**	30"	5.375"	32.5"	6.75"
OC3396***	30"	5.375"	32.5"	6.75"

Item Code	Bottom Drawer Opening		Bottom Drawer Front Size	
	W	H	W	H
OC3384*	30"	4.375"	32.5"	6.75"
OC3390**	30"	4.375"	32.5"	6.75"
OC3396***	30"	4.375"	32.5"	6.75"

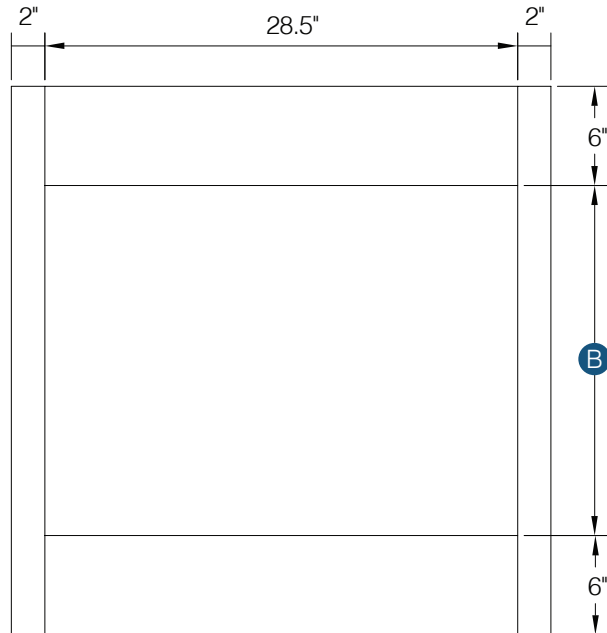
Oven cabinets have one drawer included

* OC3384 - No shelf included

** OC3390 - Includes 1 shelf

*** OC3396 - Includes 2 shelves

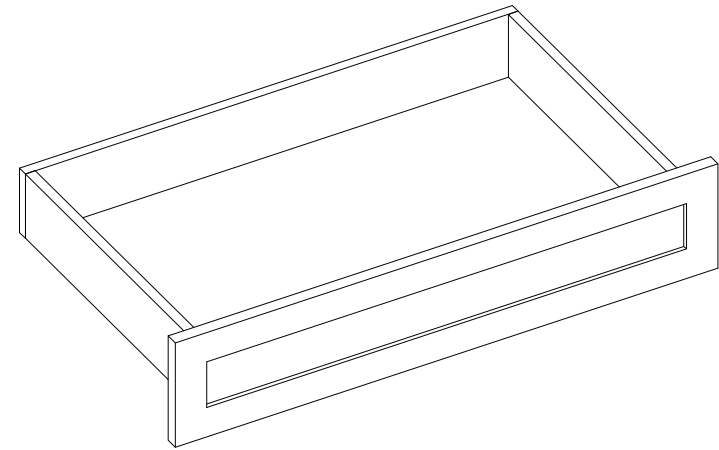
Oven Cabinet Overlay Panel



Item Code	Outer Dimensions			Opening Size	
	W	H	D	W	B
OP3333	33	33	0.75	28.5"	21"
OP3348	33	48	0.75	28.5"	36.25"
OP3353	33	53	0.75	28.5"	41"
OP3362	33	62	0.75	28.5"	50.25"

Overlay shipped loose for field installation on oven cabinet
 Trim overlay as needed to fit oven door profile and attach to the cabinet frame

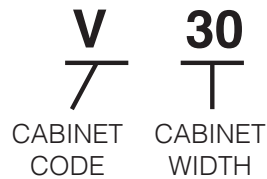
Oven Cabinet Drawer



Item Code	Drawer Size	
	W	H
OCD337	32.5"	6.75"

Same size as drawer included with Oven Cabinets

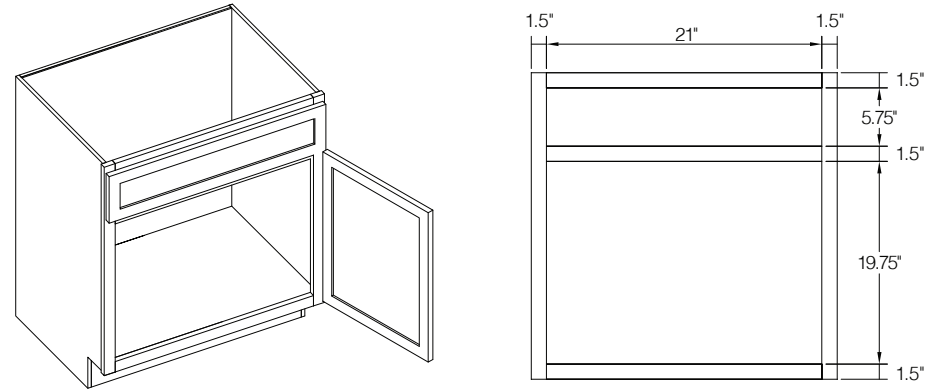
Vanity Cabinet Coding



Notes:

- Standard vanity cabinets are 21" deep.
- Add door thickness for total cabinet depth.
- Please refer to the Products by Cabinet Line chart to determine which products are carried for each cabinet line.

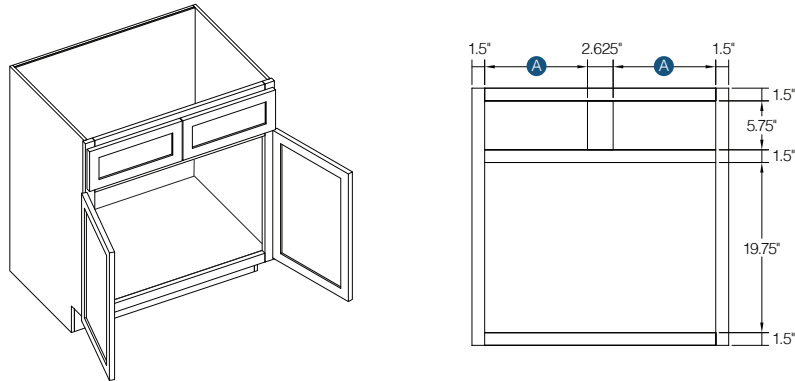
Single Door Vanity



Item Code	Outer Dimensions			False Drawer Opening		Door Opening	
	W	H	D	W	H	W	H
V24-1	24"	84"	24"	21"	5.75"	21"	19.75"

Item Code	False Drawer Front Size		Door Size	
	W	H	W	H
V24-1	23.5"	6.75"	23.5"	21.5"

Double Door Vanity Premier and Select Series

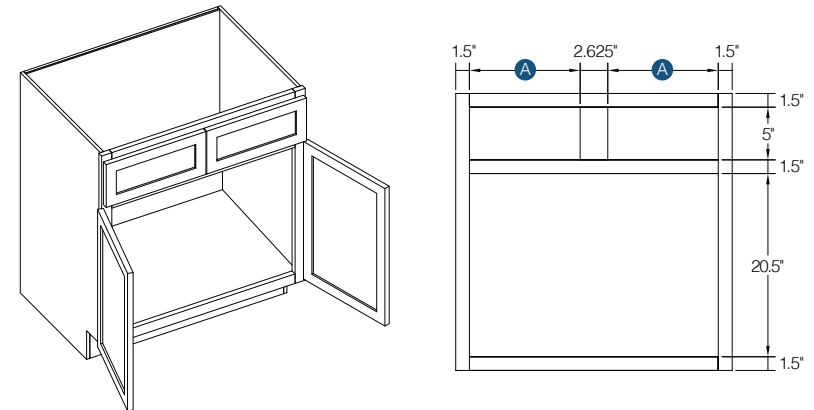


Item Code	Outer Dimensions			False Drawer Opening (x2)		Door Opening	
	W	H	D	A	H	W	H
V24-2*	24"	34.5"	21"	21"	5.75"	21"	19.75"
V27	27"	34.5"	21"	10.6875"	5.75"	24"	19.75"
V30	30"	34.5"	21"	12.1875"	5.75"	27"	19.75"
V33	33"	34.5"	21"	13.6875"	5.75"	30"	19.75"
V36	36"	34.5"	21"	15.1875"	5.75"	33"	19.75"

Item Code	False Drawer Front Size (x2)		Door Size (x2)	
	W	H	W	H
V24-2*	23.5"	6.75"	11.6875"	21.5"
V27	13.1875"	6.75"	13.1875"	21.5"
V30	14.6875"	6.75"	14.6875"	21.5"
V33	16.1875"	6.75"	16.1875"	21.5"
V36	17.6875"	6.75"	17.6875"	21.5"

*V24-2 has one false drawer and two doors. Drawer measurements provided are for single drawer.

Double Door Vanity Value Series

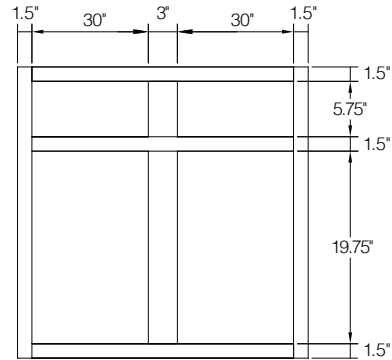
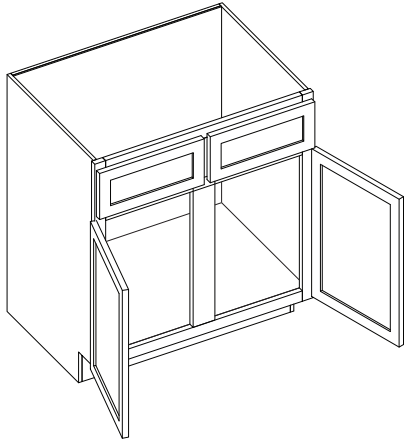


Item Code	Outer Dimensions			False Drawer Opening (x2)		Door Opening	
	W	H	D	A	H	W	H
V24-2*	24"	34.5"	21"	21"	5"	21"	20.5"
V27	27"	34.5"	21"	10.625"	5"	24"	20.5"
V30	30"	34.5"	21"	12.125"	5"	24"	20.5"
V33	33"	34.5"	21"	13.625"	5"	30"	20.5"

Item Code	False Drawer Front Size (x2)		Door Size (x2)	
	W	H	W	H
V24-2*	23.5"	5.75"	11.625"	22.25"
V27	13.125"	5.75"	13.125"	22.25"
V30	14.625"	5.75"	14.625"	22.25"
V33	16.125"	5.75"	16.125"	22.25"
V36	17.625"	5.75"	17.625"	22.25"

*V24-2 has one false drawer and two doors. Drawer measurements provided are for single drawer.

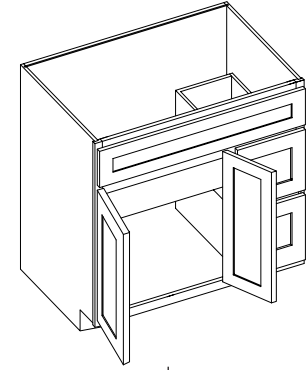
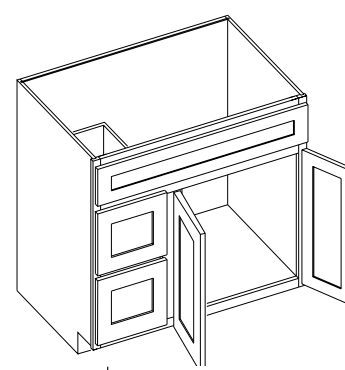
Double Door Vanity with Center Stile



Item Code	Outer Dimensions			False Drawer Opening (x2)		Door Opening	
	W	H	D	W	H	W	H
V42	42"	34.5"	21"	18"	5.75"	18"	19.75"

Item Code	False Drawer Front Size (x2)		Door Size (x2)	
	W	H	W	H
V42	20.5"	6.75"	20.5"	21.5"

Vanity Combo Cabinet



Item Code	Outer Dimensions			False Drawer Opening		Door Opening	
	W	H	D	W	H	W	H
VSBD36	36"	34.5"	21"	33"	5.75"	20"	19.75"
VSBDL36	36"	34.5"	21"	33"	5.75"	20"	19.75"

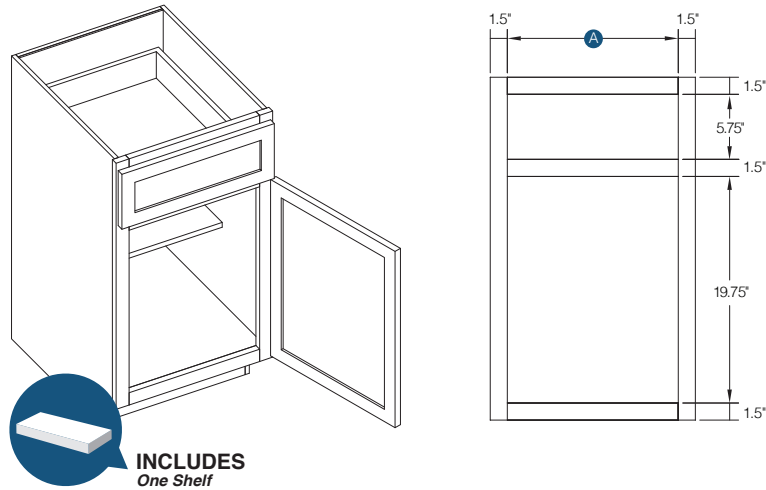
Item Code	False Drawer Front Size		Door Size (x2)	
	W	H	W	H
VSBD36 / VSBDL36	35.5"	6.75"	11.6875"	21.5"

Item Code	Top Drawer Opening		Bottom Drawer Opening	
	W	H	W	H
VSBD36 / VSBDL36	9"	9.5"	9"	8.75"

Item Code	Side Drawer Size (x2)	
	W	H
VSBD36 / VSBDL36	11.5"	10.5"

Single Door Vanity Base

Premier and Select Series



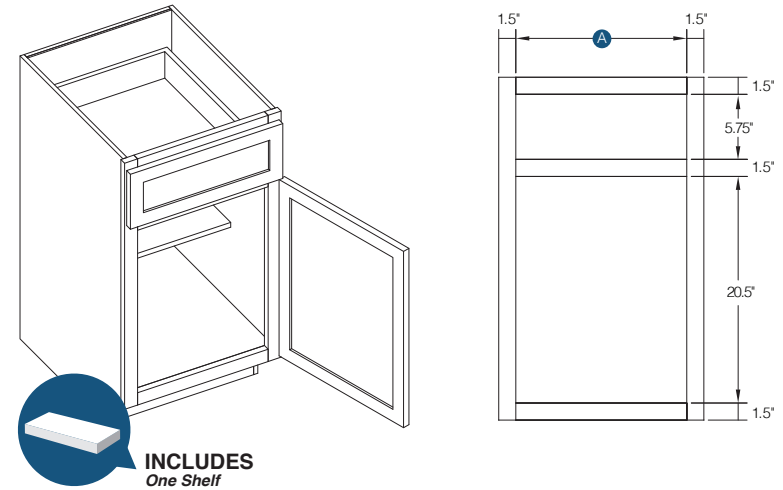
INCLUDES
One Shelf

Item Code	Outer Dimensions			Drawer Opening		Door Opening	
	W	H	D	A	H	A	H
VB12	12"	34.5"	21"	9"	5.75"	9"	19.75"
VB15	15"	34.5"	21"	12"	5.75"	12"	19.75"
VB18	18"	34.5"	21"	15"	5.75"	15"	19.75"

Item Code	Drawer Front Size		Door Size	
	W	H	W	H
VB12	11.5"	6.75"	11.5"	21.5"
VB15	14.5"	6.75"	14.5"	21.5"
VB18	17.5"	6.75"	17.5"	21.5"

Single Door Vanity Base

Value Series

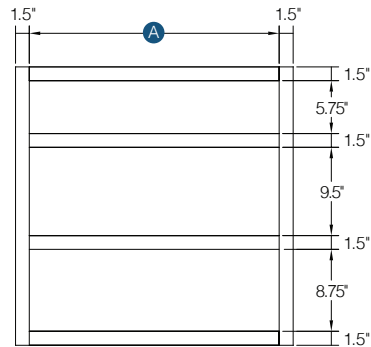
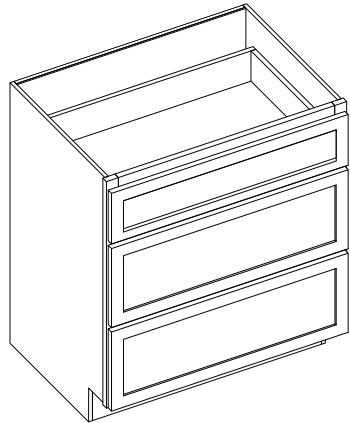


INCLUDES
One Shelf

Item Code	Drawer Opening		Door Opening	
	A	H	A	H
VB15	12"	5"	12"	20.5"
VB18	15"	5"	15"	20.5"

Item Code	Drawer Front Size		Door Size	
	W	H	W	H
VB15	14.5"	5.75"	14.5"	22.25"
VB18	17.5"	5.75"	17.5"	22.25"

Vanity Drawer Base Premier and Select Series

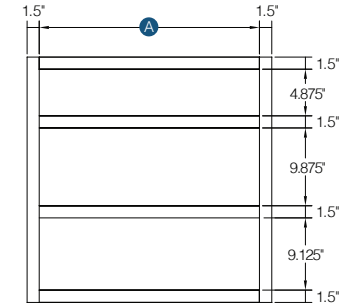
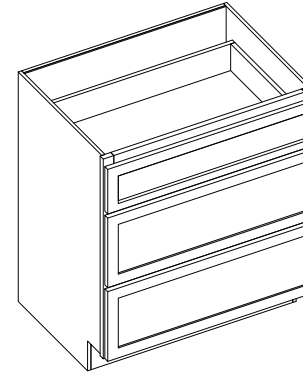


Item Code	Outer Dimensions			Top Opening		Top Drawer Front Size	
	W	H	D	A	H	W	H
VDB12	12"	34.5"	21"	9"	5.75"	11.5"	6.75"
VDB15	15"	34.5"	21"	12"	5.75"	14.5"	6.75"
VDB18	18"	34.5"	21"	15"	5.75"	17.5"	6.75"

Item Code	Middle Opening		Middle Drawer Front Size	
	A	H	W	H
VDB12	9"	9.5"	11.5"	10.5"
VDB15	12"	9.5"	14.5"	10.5"
VDB18	15"	9.5"	17.5"	10.5"

Item Code	Bottom Opening		Bottom Drawer Front Size	
	A	H	W	H
VDB12	9"	9.5"	11.5"	10.5"
VDB15	12"	9.5"	14.5"	10.5"
VDB18	15"	9.5"	17.5"	10.5"

Vanity Drawer Base Value Series

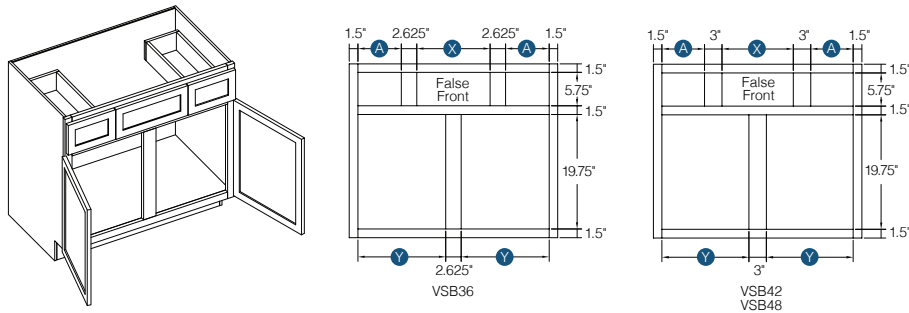


Item Code	Outer Dimensions			Top Opening		Top Drawer Front Size	
	W	H	D	A	H	W	H
VDB12	12"	34.5"	21"	9"	4.875"	11.5"	5.875"
VDB15	15"	34.5"	21"	12"	4.875"	14.5"	5.875"
VDB18	18"	34.5"	21"	15"	4.875"	17.5"	5.875"
VDB21	21"	34.5"	21"	18"	4.875"	20.5"	5.875"
VDB24	24"	34.5"	21"	21"	4.875"	23.5"	5.875"

Item Code	Middle Opening		Middle Drawer Front Size	
	A	H	W	H
VDB12	9"	9.875"	11.5"	10.8125"
VDB15	12"	9.875"	14.5"	10.8125"
VDB18	15"	9.875"	17.5"	10.8125"
VDB21	18"	9.875"	20.5"	10.8125"
VDB24	21"	9.875"	23.5"	10.8125"

Item Code	Bottom Opening		Bottom Drawer Front Size	
	A	H	W	H
VDB12	9"	9.125"	11.5"	10.825"
VDB15	12"	9.125"	14.5"	10.825"
VDB18	15"	9.125"	17.5"	10.825"
VDB21	18"	9.125"	20.5"	10.825"
VDB24	21"	9.125"	23.5"	10.825"

Vanity Sink Base Premier and Select Series

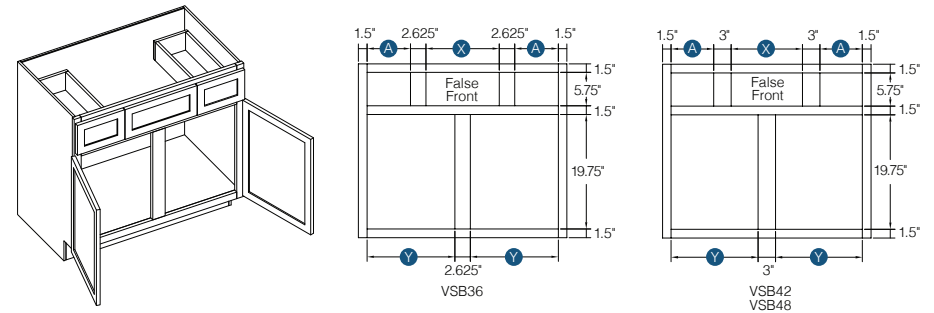


Item Code	Outer Dimensions		
	W	H	D
VSB36	36"	34.5"	21"
VSB42	42"	34.5"	21"
VSB48	48"	34.5"	21"

Item Code	Drawer Opening (x2)		False Drawer Opening		Door Opening (x2)	
	A	H	X	H	Y	H
VSB36	7.5"	5.75"	12.75"	5.75"	15.1875"	19.75"
VSB42	9.25"	5.75"	14.5"	5.75"	18"	19.75"
VSB48	9.25"	5.75"	20.5"	5.75"	21"	19.75"

Item Code	Drawer Front Size		False Drawer Front Size		Door Size	
	W	H	W	H	W	H
VSB36	10"	6.75"	15.25"	6.75"	17.6875"	21.5"
VSB42	11.75"	6.75"	17"	6.75"	20.5"	21.5"
VSB48	11.75"	6.75"	23"	6.75"	23.5"	21.5"

Vanity Sink Base Value Series

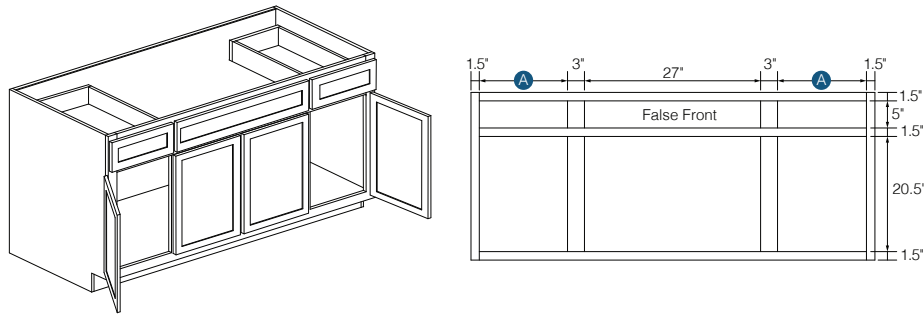


Item Code	Outer Dimensions		
	W	H	D
VSB36	36"	34.5"	21"
VSB42	42"	34.5"	21"
VSB48	48"	34.5"	21"

Item Code	Drawer Opening (x2)		False Drawer Opening		Door Opening (x2)	
	A	H	X	H	Y	H
VSB36	7.5"	5"	12.75"	5"	15"	20.5"
VSB42	9.25"	5"	14.5"	5"	18"	20.5"
VSB48	9.25"	5"	20.5"	5"	21"	20.5"

Item Code	Drawer Front Size		False Drawer Front Size		Door Size	
	W	H	W	H	W	H
VSB36	10"	5.75"	15.25"	5.75"	17"	22.25"
VSB42	11.75"	5.75"	17.8"	5.75"	20.7"	22.25"
VSB48	11.75"	5.75"	23.85"	5.75"	20.7"	22.25"

Extended Vanity Sink Base



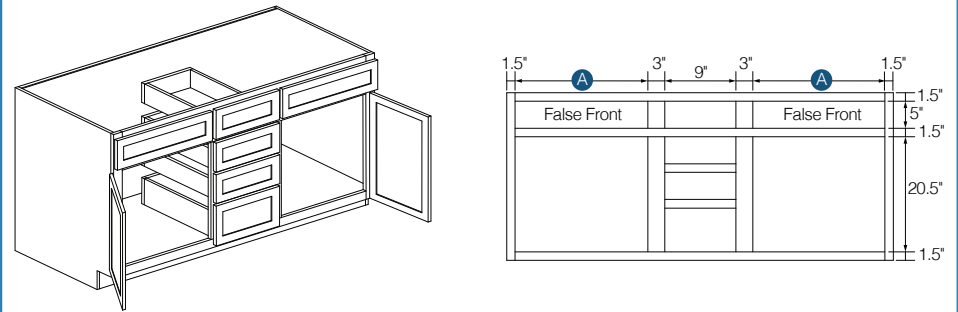
Item Code	Outer Dimensions			False Drawer Front Size	
	W	H	D	W	H
EVSB54	54"	34.5"	21"	29.5"	5.75"
EVSB60	60"	34.5"	21"	29.5"	5.75"

Item Code	Drawer Opening (x2)		Drawer Front (x2)	
	A	H	W	H
EVSB54	9"	5"	11.5"	5.75"
EVSB60	12"	5"	14.5"	5.75"

Item Code	Outer Door Opneing (x2)		Outer Door Size (x2)	
	A	H	W	H
EVSB54	9"	20.5"	11.5"	22.25"
EVSB60	12"	20.5"	14.5"	22.25"

Item Code	Middle Door Opening		Middle Door Size (x2)	
	W	H	W	H
EVSB54	27"	20.5"	14.7"	22.25"
EVSB60	27"	20.5"	14.7"	22.25"

Double Vanity Sink Base



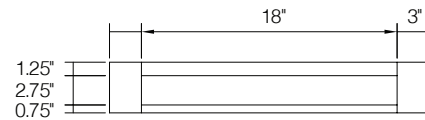
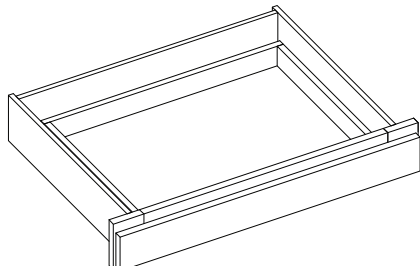
Item Code	Outer Dimensions			False Drawer Front Size (x2)	
	W	H	D	A	H
DVSB54	54"	34.5"	21"	20.5"	5.75"
DVSB60	60"	34.5"	21"	23.5"	5.75"

Item Code	Top 3 Drawer Opening		Top 3 Drawer Front	
	W	H	W	H
DVSB54	9"	5"	11.5"	5.75"
DVSB60	9"	5"	11.5"	5.75"

Item Code	Bottom Drawer Opening		Bottom Drawer Front	
	W	H	W	H
DVSB54	9"	7.5"	11.5"	9.57"
DVSB60	9"	7.5"	11.5"	9.57"

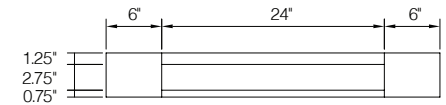
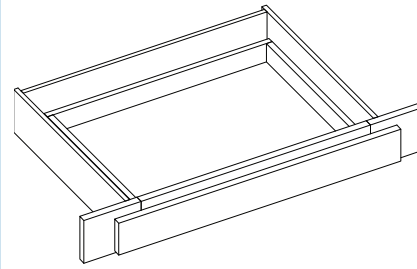
Item Code	Door Opening (x2)		Door Size (x2)	
	A	H	W	H
DVSB54	18"	20.5"	20.5"	22.25"
DVSB60	21"	20.5"	23.5"	22.25"

Vanity Drawer



Item Code	Outer Dimensions			Opening Size		Drawer Size	
	W	H	D	W	B	W	H
KD24	24"	4.75"	21"	18"	2.75"	23.5"	3.5"

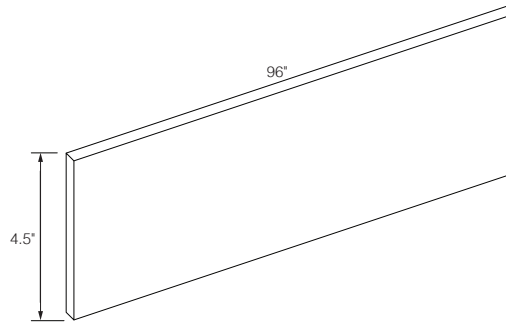
Vanity Drawer



Item Code	Outer Dimensions			Opening Size		Drawer Size	
	W	H	D	W	B	W	H
KD36	36"	4.75"	21"	24"	2.75"	29.5"	3.5"

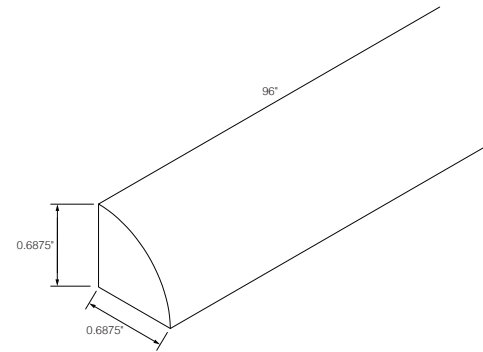
Wings on KD36 can be trimmed down to fit a 30" opening

Toe Kick



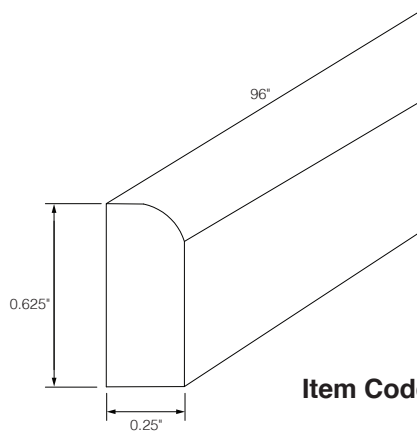
Item Code	Outer Dimensions		
	W	H	D
TKS8	96"	4.5"	0.25"

Shoe Molding



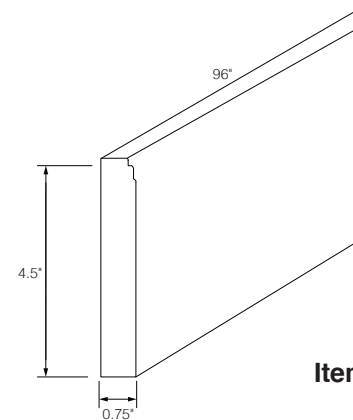
Item Code	Outer Dimensions		
	W	H	D
SHOE	96"	0.6875"	0.6875"

Scribe



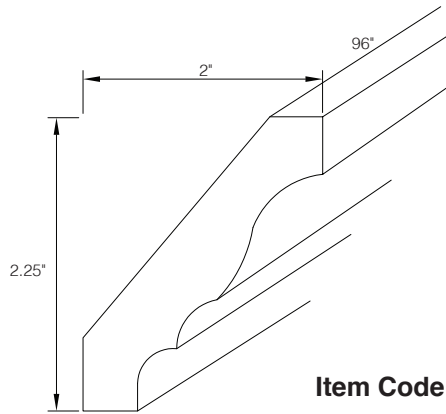
Item Code	Outer Dimensions		
	W	H	D
SCRIBE	96"	0.625"	0.25"

Furniture Base Molding



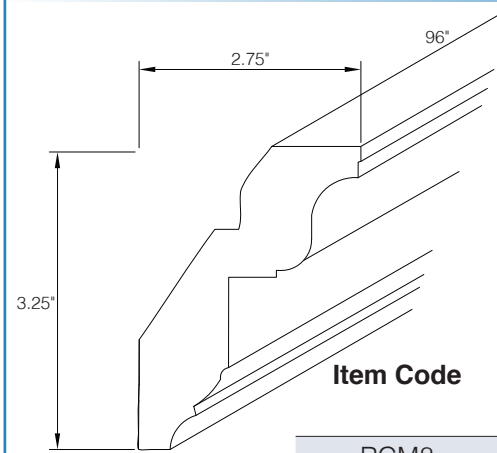
Item Code	Outer Dimensions		
	W	H	D
FBM8	96"	4.5"	0.75"

Traditional Crown Molding



Item Code	Outer Dimensions		
	W	H	D
CM8	96"	2.25"	2"

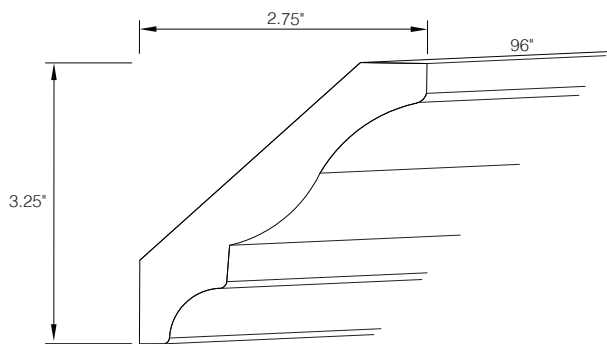
Royal Crown Molding



Item Code	Outer Dimensions		
	W	H	D
RCM8	96"	3.25"	2.75"

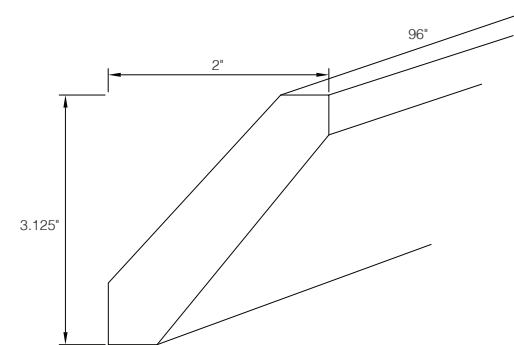
Rope and dentil molding can be used as inserts for royal crown molding

Large Crown Molding



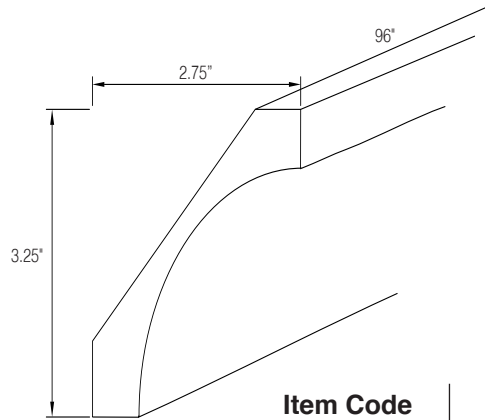
Item Code	Outer Dimensions		
	W	H	D
BCM8	96"	3.25"	2.75"

Shaker Crown Molding



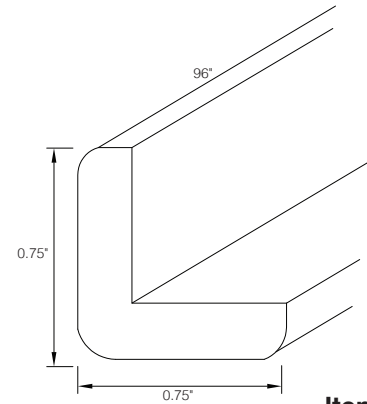
Item Code	Outer Dimensions		
	W	H	D
SCM8	96"	3.125"	2"

Cove Crown Molding



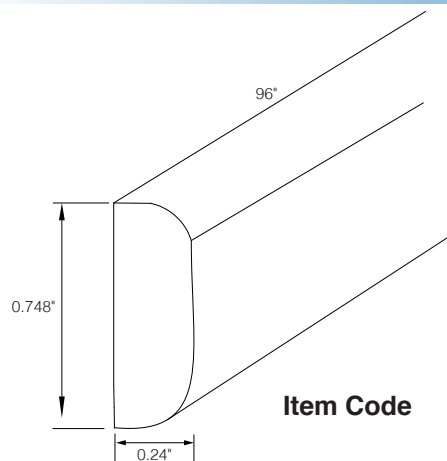
Item Code	Outer Dimensions		
	W	H	D
COM8	96"	3.25"	2.75"

Outside Corner Molding



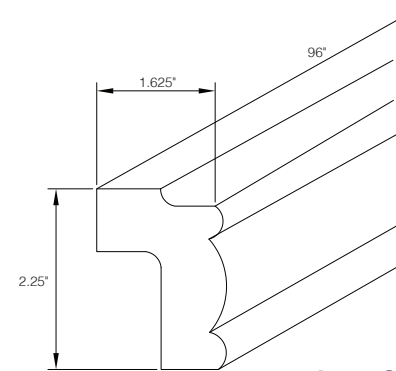
Item Code	Outer Dimensions		
	W	H	D
OCM8	96"	0.75"	0.75"

Batton Molding



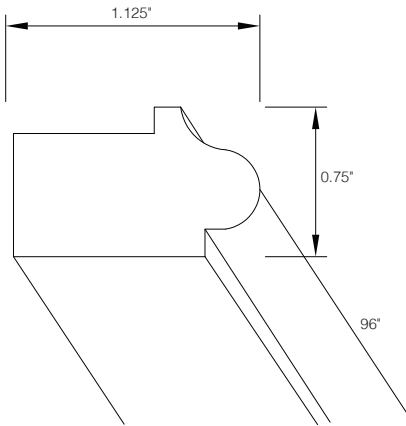
Item Code	Outer Dimensions		
	W	H	D
BAM8	96"	0.748"	0.24"

Traditional Light Rail Molding



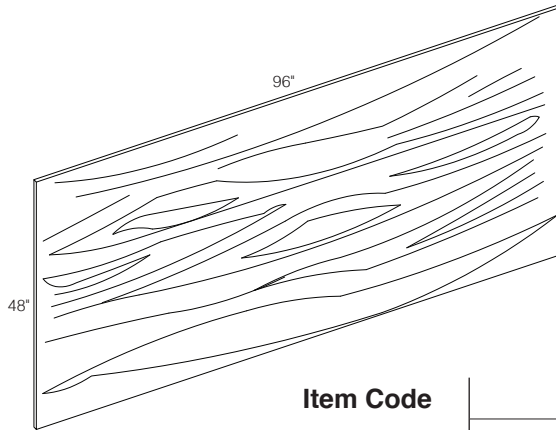
Item Code	Outer Dimensions		
	W	H	D
LRM8	96"	2.25"	1.625"

Bottom Edge Molding



Item Code	Outer Dimensions		
	W	H	D
BEM8	96"	0.75"	1.125"

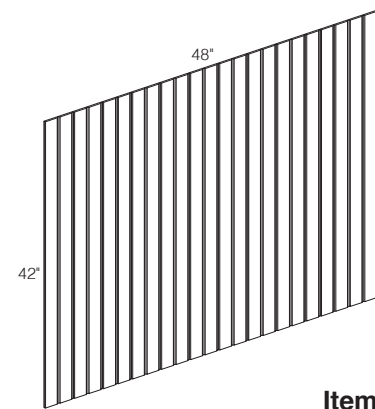
Back Panel - Long Grain



Item Code	Outer Dimensions		
	W	H	D
BPLG4896	96"	48"	0.25"

Finished on one side

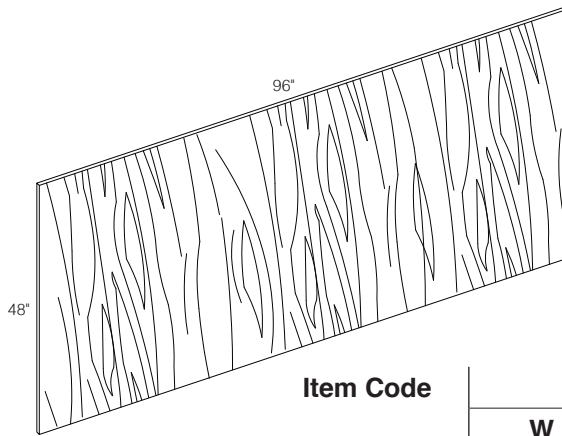
Bead Board



Item Code	Outer Dimensions		
	W	H	D
BBP4842	48"	42"	0.25"

Finished on one side

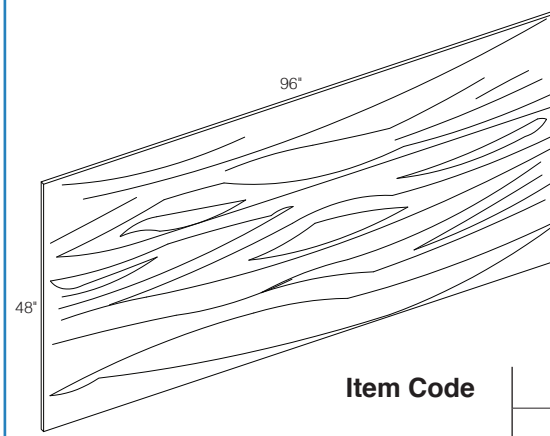
Back Panel - Short Grain



Item Code	Outer Dimensions		
	W	H	D
BPSG9648	96"	48"	0.25"

Finished on one side

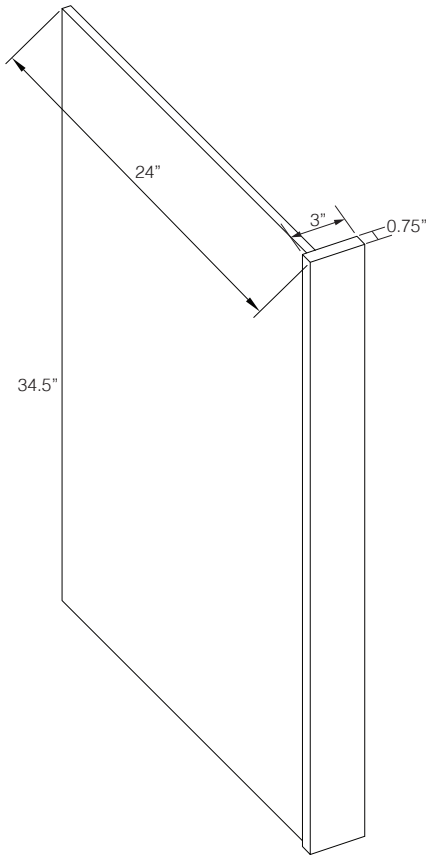
1/2" Thick Finished Plywood Filler



Item Code	Outer Dimensions		
	W	H	D
PSP4896	96"	48"	0.5"

Finished on one side and clear coat on the other side

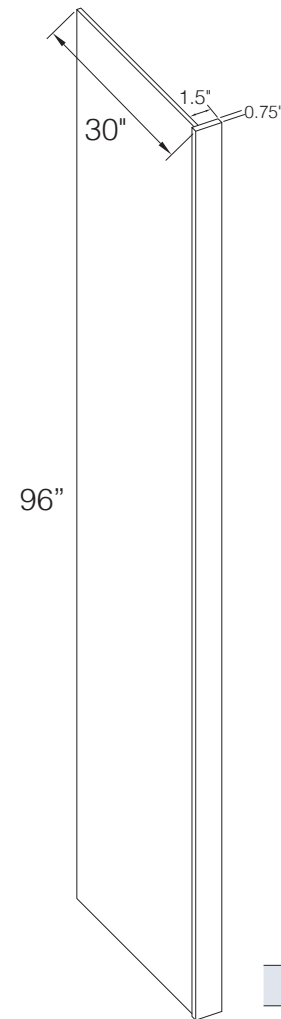
Dishwasher End Panel



Item Code	Outer Dimensions		
	W	H	D
DWR3	3"	34.5"	24"

Filler is trimmable down to 1".
 Premier and Select Series finished on one side
 Value Series finished on both sides

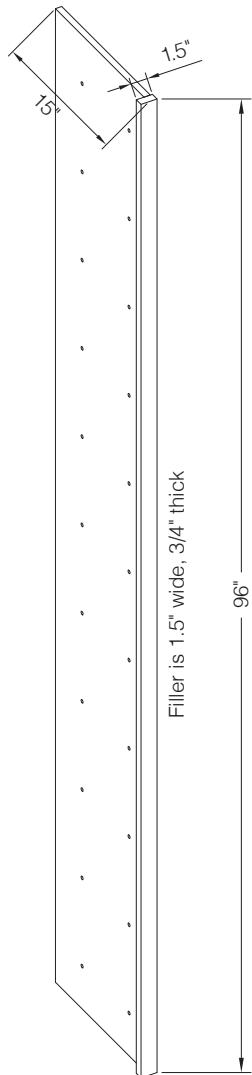
Tall End Panel (Refrigerator Panel)



Item Code	Outer Dimensions		
	W	H	D
TEP3096	1.5"	96"	30"

Premier and Select Series finished on one side
 Value Series finished on both sides

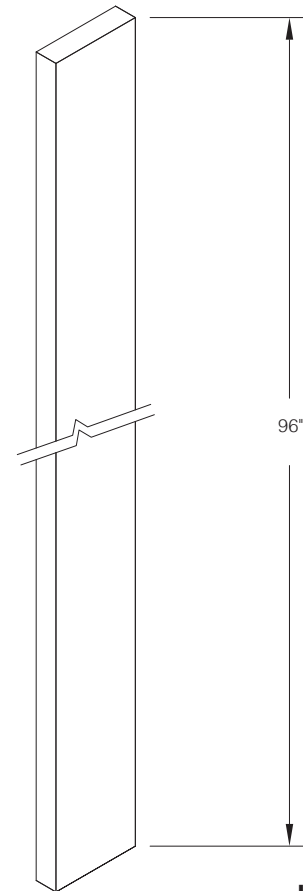
Bookcase End



Item Code	Outer Dimensions		
	W	H	D
BCE1596	1.5"	96"	15"

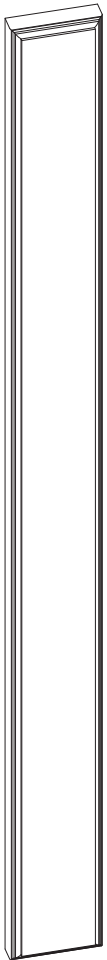
Does not include shelf or shelf clips.

Filler



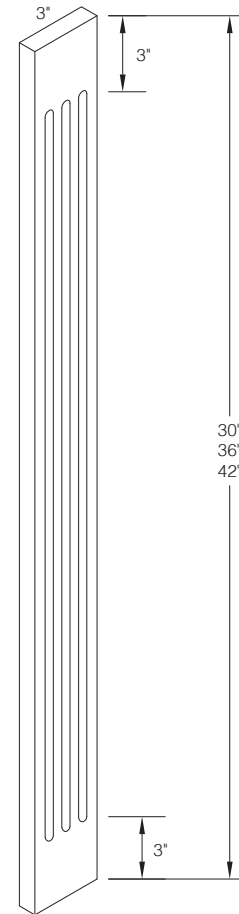
Item Code	Outer Dimensions		
	A	H	D
F396	3"	96"	0.75"
F696	6"	96"	0.75"

Overlay Filler



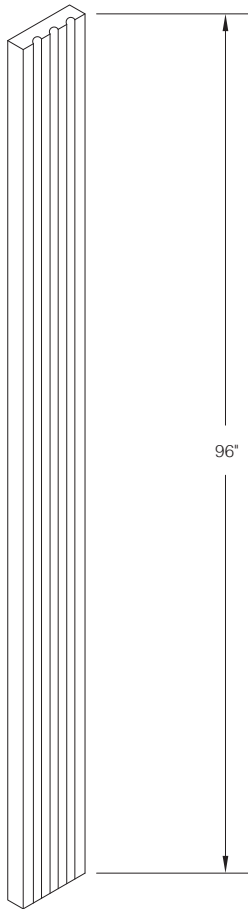
Item Code	Size		
	W	H	D
OLF330	2.5"	28.75"	0.75"
OLF336	2.5"	34.75"	0.75"
OLF342	2.5"	40.75"	0.75"
OLF384	2.5"	82.75"	0.75"
OLF390	2.5"	88.75"	0.75"
OLF396	2.5"	94.75"	0.75"
OLF630	5.5"	28.75"	0.75"

Wall Fluted Filler



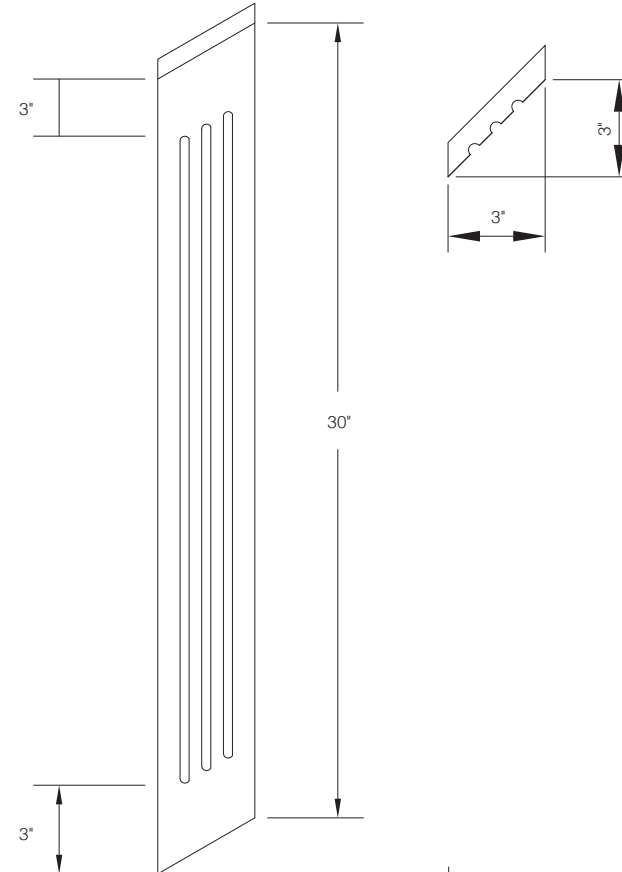
Item Code	Outer Dimensions		
	W	H	D
WFF330	3"	30"	0.75"
WFF336	3"	36"	0.75"
WFF342	3"	42"	0.75"

Fluted Filler



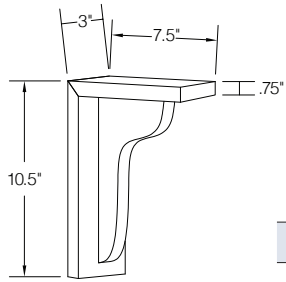
Item Code	Outer Dimensions		
	W	H	D
FF396	3"	96"	0.75"

Angled Fluted Filler

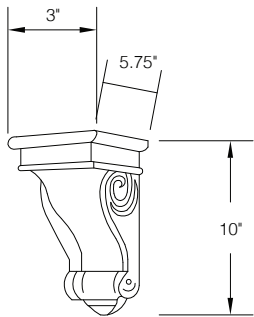


Item Code	Outer Dimensions		
	W	H	D
AFF330	3"	30"	3"

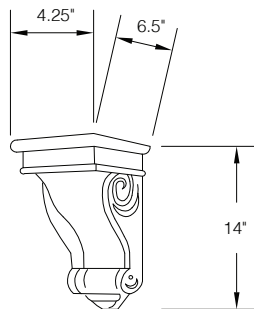
Corbels



Item Code	Outer Dimensions		
	W	H	D
CORSM	3"	10.5"	7.5"

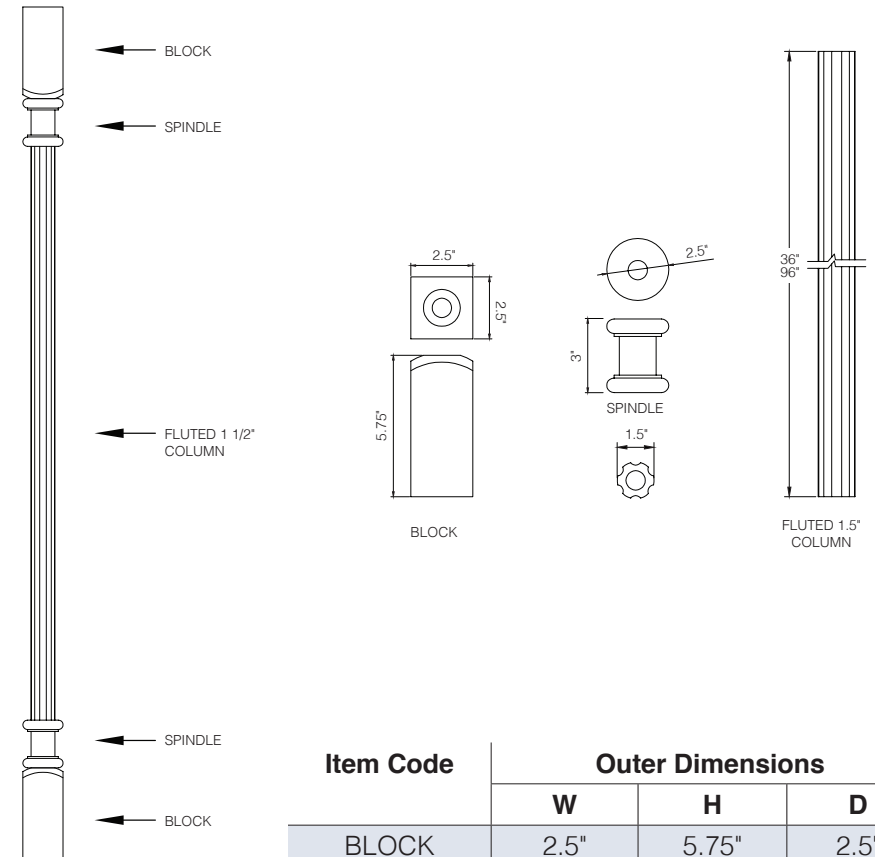


Item Code	Outer Dimensions		
	W	H	D
CORCM	3"	10"	5.75"



Item Code	Outer Dimensions		
	W	H	D
CORCL	4.25"	14"	6.5"

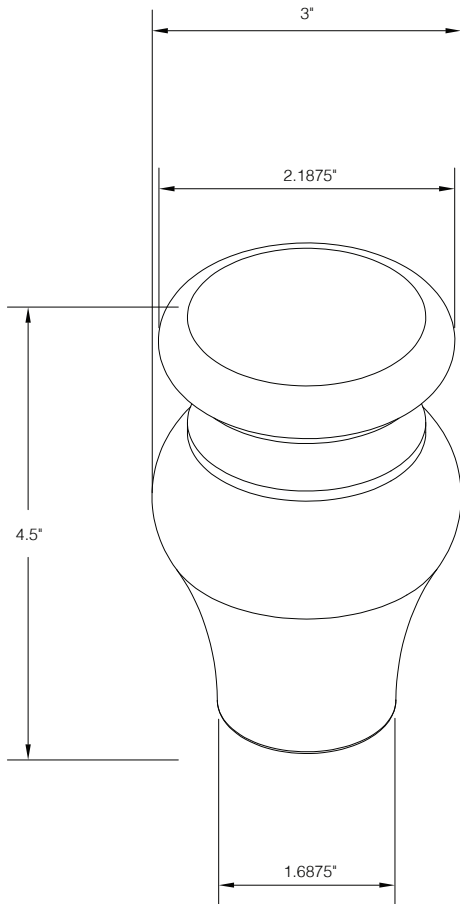
Column and Spindle System



Item Code	Outer Dimensions		
	W	H	D
BLOCK	2.5"	5.75"	2.5"
SPINDLE	2.5"	3"	2.5"
FC36	1.5"	36"	1.5"
FC96	1.5"	96"	1.5"

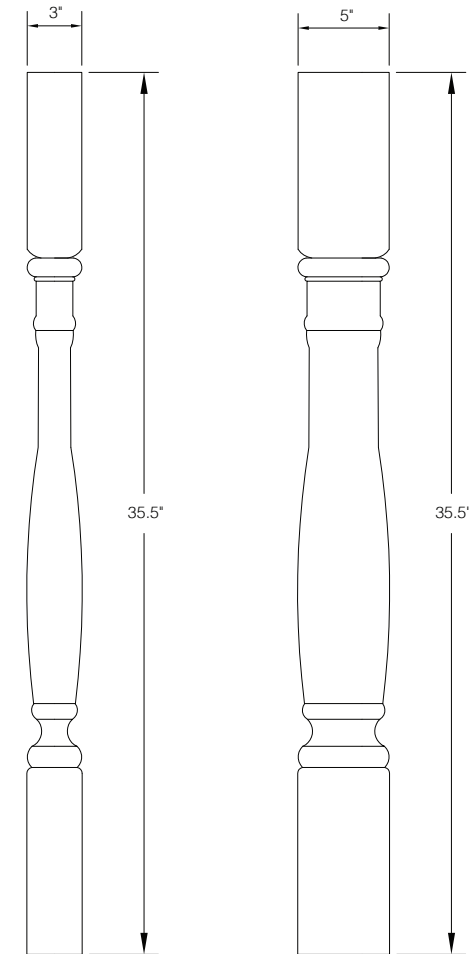
All pieces sold separately. Block and column can be trimmed.

Bunfeet



Item Code	Outer Dimensions		
	W	H	D
TBUNFOOT	3"	4.5"	3"

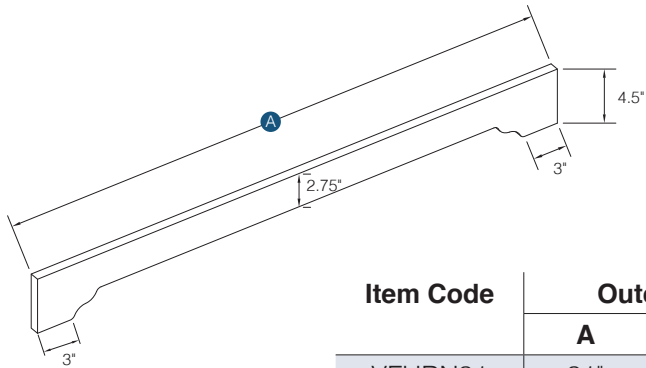
Turned Post



Item Code	Outer Dimensions		
	W	H	D
TPOSTP3	3"	35.5"	3"
TPOSTP5	5"	35.5"	5"

Top and bottom can be trimmed.

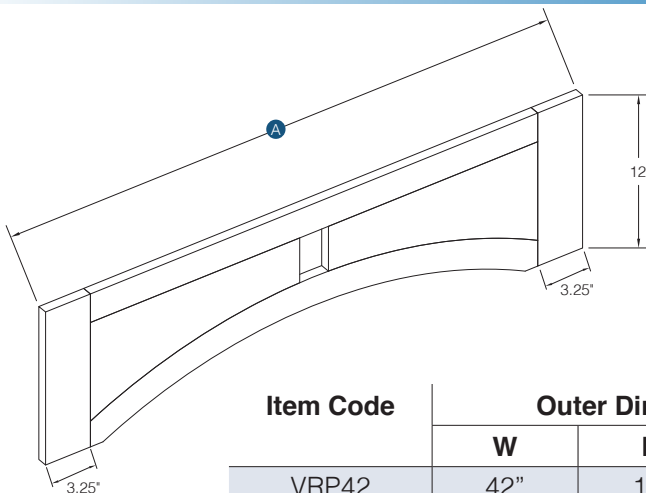
Furniture Valance



Item Code	Outer Dimensions		
	A	H	D
VFURN31	31"	4.5"	0.75"
VFURN37	37"	4.5"	0.75"
VFURN43	43"	4.5"	0.75"

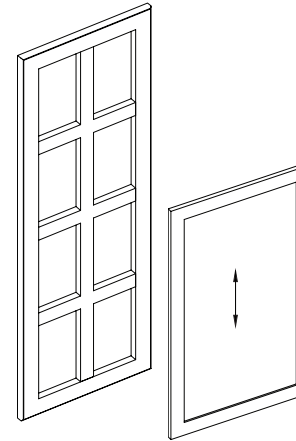
Can be trimmed up to 3" off each side.

Raised Panel Valance



Item Code	Outer Dimensions		
	W	H	D
VRP42	42"	12"	0.75"

Mullion and Cut For Glass Door



Item Code	Door Size	
	W	H
CFG / MDW1530	14.6875"	28.75"
CFG / MDW1536	14.6875"	34.75"
CFG / MDW1542	14.6875"	40.75"
CFG / MDW1830	17.6875"	28.75"
CFG / MDW1836	17.6875"	34.75"
CFG / MDW1842	17.6875"	40.75"
CFG / MDCW2430	14.5"	28.75"
CFG / MDCW2436	14.5"	34.75"
CFG / MDCW2442	14.5"	40.75"

*Brooklyn are Cut for Glass

*All Cut for Glass SKUs are notated as 'CFG' on the RFQ

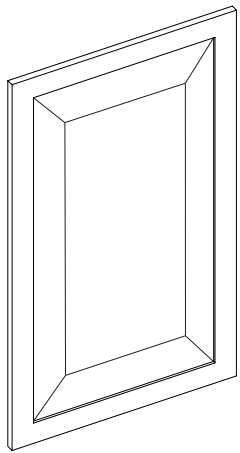
Mullion Door Usage Guide

Item Code	Designed to Fit
CFG / MDW1530	W1530, W3030
CFG / MDW1536	W1536, W3036
CFG / MDW1542	W1542, W3042
CFG / MDW1830	W1830, W3630
CFG / MDW1836	W1836, W3636
CFG / MDW1842	W1842, W3642
CFG / MDCW2430	CW2430, CW2730
CFG / MDCW2436	CW2436, CW2736
CFG / MDCW2442	CW2442, CW2742

*Brooklyn are Cut for Glass

*All Cut for Glass SKUs are notated as 'CFG' on the RFQ

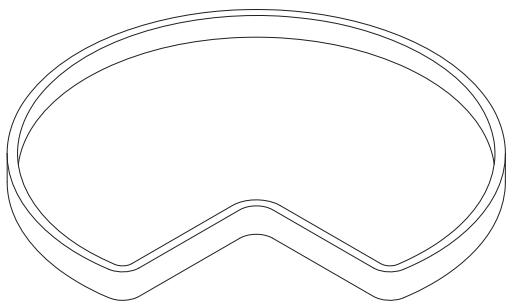
Decorative Base/Wall Panel



Item Code	Door Size	
	W	H
DWP1230	11.5"	28.75"
DWP1236	11.5"	34.75"
DWP1242	11.5"	40.75"
DWP2430	23.5"	28.75"

Panel matches door profile.

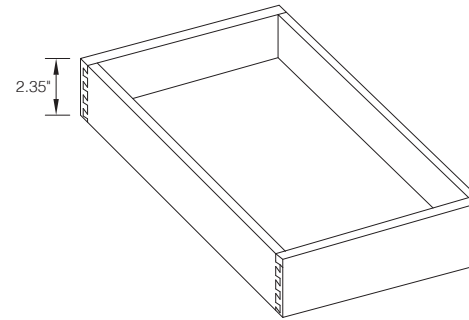
Lazy Susan Kit



Item Code	Outer Dimensions		
	W	H	D
LSK	29"	1.5"	29"

Designed to fit ER33 or ER36.
Two trays per set.

Roll Out Tray



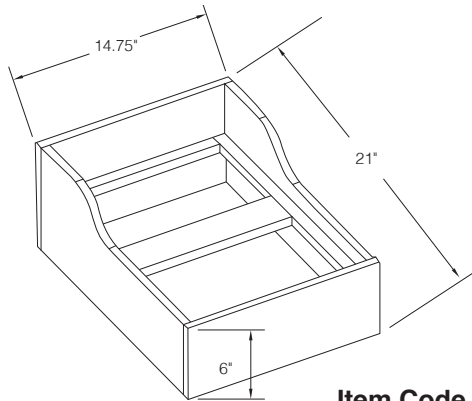
Item Code	Size		
	W	H	D
ROT15	11.125"	2.375"	21"
ROT18	14.125"	2.375"	21"
ROT21	17.125"	2.375"	21"
ROT24	20.125"	2.375"	21"
ROT27	23.125"	2.375"	21"
ROT30	26.125"	2.375"	21"
ROT36	32.125"	2.375"	21"

Two trays per set with undermount slides.

Roll Out Tray Usage Guide

Item Code	Designed to Fit
ROT15	B15
ROT18	B18, P1884, P1890, P1896
ROT21	B21
ROT24	B24, P2484, P2490, P2496
ROT27	B27
ROT30	B30
ROT36	B36

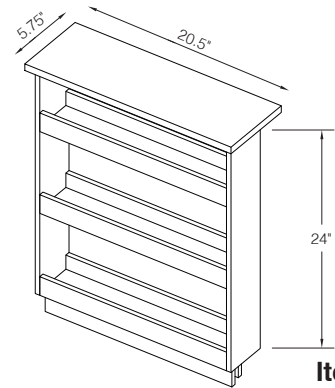
Trash Can Insert for B18



Item Code	Outer Dimensions		
	W	H	D
TCCK*	14.75"	6"	21"

*Includes two 35 QT cans

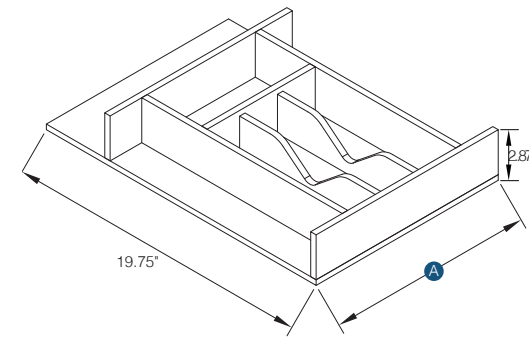
Spice Rack Insert



Item Code	Outer Dimensions		
	W	H	D
SR19	5.75"	24"	20.5"

Slides included, designed to fit B09 or W930, measurements include slides

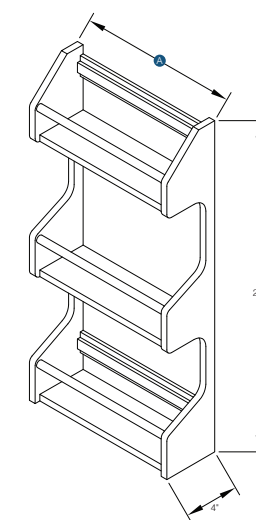
Cutlery Drawer Insert



Item Code	Size		
	A	H	D
CDI14	13.375"	2.875"	19.75"
CDI20	19.75"	2.875"	19.75"

CDI14 designed to fit B18 drawer. Can be trimmed to fit B15
CDI20 designed to fit B24 drawer. Can be trimmed to fit B24

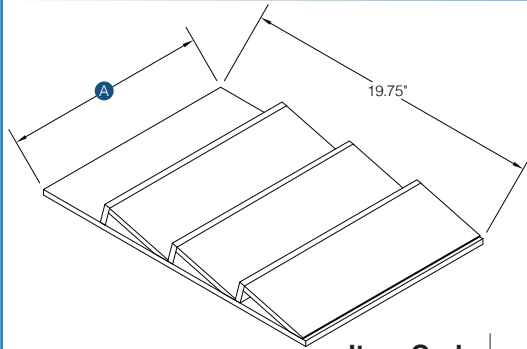
Spice Rack Door Attachment



Item Code	Size		
	A	H	D
SRD12	11.5"	24"	4"
SRD15	14.5"	24"	4"

SRD12 designed to attach to 14.5" door (e.g. W1530 or W3030)
SRD15 designed to attach to 17.5" door (e.g. W1830 or W3630)

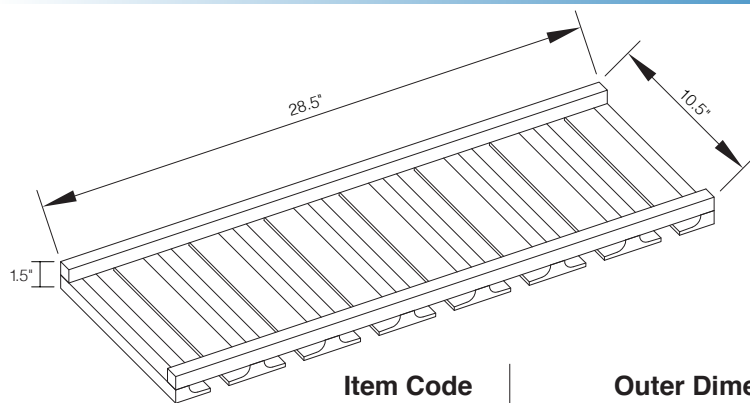
Spice Rack Tray Insert



Item Code	Outer Dimensions		
	A	H	D
STI14	13.375"	1.09375"	19.75"
STI20	19.75"	1.09375"	19.75"

STI14 designed to fit B18 drawer. Can be trimmed to fit B15
STI20 designed to fit B24 drawer. Can be trimmed to fit B21

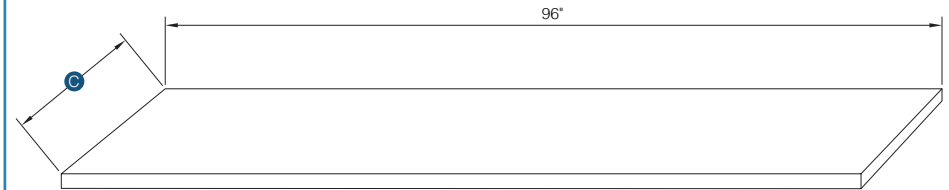
Stemware Rack



Item Code	Outer Dimensions		
	W	H	D
SWR3012	28.5"	1.5"	10.5"

Designed to fit under wine rack

Shelf



Item Code	Outer Dimensions		
	W	H	C
SHELF1296	96"	0.625"	12"
SHELF2496	96"	0.625"	24"

Shelf1296 available in Natural, Premier colors and Value colors.
Shelf2496 available in Natural only.

Item Code	Item Description	Shaker Designer White	Shaker Espresso	Brooklyn Bright White	Brooklyn Modern Gray	Brooklyn Slate	Lenox Mocha	Lenox Canvas	Lenox Country Linen	Alex Brandwine	Taylor White	Taylor Espresso	Taylor Creme	Taylor Mocha	
		Premier									Select	Value			
Wall Cabinets															
W3012	Double Door Wall Cabinet - 30" W x 12" H	✓	✓	✓	✓	✓	✓	✓	✓	✓	✓	✓	✓	✓	
W3612	Double Door Wall Cabinet - 36" W x 12" H	✓	✓	✓	✓	✓	✓	✓	✓	✓	✓	✓	✓	✓	
W3912	Double Door Wall Cabinet - 39" W x 12" H	-	-	✓	✓	✓	✓	✓	✓	-	-	-	-	-	
W3015	Double Door Wall Cabinet - 30" W x 15" H	✓	✓	✓	✓	✓	✓	✓	✓	✓	✓	✓	✓	✓	
W3315	Double Door Wall Cabinet - 33" W x 15" H	✓	✓	✓	✓	✓	✓	✓	✓	✓	✓	✓	✓	✓	
W3615	Double Door Wall Cabinet - 36" W x 15" H	✓	✓	✓	✓	✓	✓	✓	✓	✓	✓	✓	✓	✓	
W3915	Double Door Wall Cabinet - 39" W x 15" H	-	-	✓	✓	✓	✓	✓	✓	-	-	-	-	-	
W3018	Double Door Wall Cabinet - 30" W x 18" H	✓	✓	✓	✓	✓	✓	✓	✓	✓	✓	✓	✓	✓	
W3318	Double Door Wall Cabinet - 33" W x 18" H	✓	✓	✓	✓	✓	✓	✓	✓	-	-	-	-	-	
W3618	Double Door Wall Cabinet - 36" W x 18" H	✓	✓	✓	✓	✓	✓	✓	✓	✓	✓	✓	✓	✓	
W3918	Double Door Wall Cabinet - 39" W x 18" H	-	-	✓	✓	✓	✓	✓	✓	-	-	-	-	-	
W3021	Double Door Wall Cabinet - 30" W x 21" H	✓	✓	✓	✓	✓	✓	✓	✓	✓	-	-	-	-	
W3024	Double Door Wall Cabinet - 30" W x 24" H	✓	✓	✓	✓	✓	✓	✓	✓	✓	✓	✓	✓	✓	
W3324	Double Door Wall Cabinet - 33" W x 24" H	✓	✓	✓	✓	✓	✓	✓	✓	✓	-	-	-	-	
W3624	Double Door Wall Cabinet - 36" W x 24" H	✓	✓	✓	✓	✓	✓	✓	✓	✓	✓	✓	✓	✓	
W3924	Double Door Wall Cabinet - 39" W x 24" H	-	-	✓	✓	✓	✓	✓	✓	-	-	-	-	-	
W361824	Deep Wall Cabinet - 36" W x 18" H x 24" D	✓	✓	✓	✓	✓	✓	✓	✓	-	✓	✓	✓	✓	
W362424	Deep Wall Cabinet - 36" W x 24" H x 24" D	✓	✓	✓	✓	✓	✓	✓	✓	-	✓	✓	✓	✓	
W930	Single Door Wall Cabinet - 9" W x 30" H	✓	✓	✓	✓	✓	✓	✓	✓	✓	✓	✓	✓	✓	
W1230	Single Door Wall Cabinet - 12" W x 30" H	✓	✓	✓	✓	✓	✓	✓	✓	✓	✓	✓	✓	✓	
W1530	Single Door Wall Cabinet - 15" W x 30" H	✓	✓	✓	✓	✓	✓	✓	✓	✓	✓	✓	✓	✓	
W1830	Single Door Wall Cabinet - 18" W x 30" H	✓	✓	✓	✓	✓	✓	✓	✓	✓	✓	✓	✓	✓	
W2130	Single Door Wall Cabinet - 21" W x 30" H	✓	✓	✓	✓	✓	✓	✓	✓	✓	✓	✓	✓	✓	
W2430-1	Single Door Wall Cabinet - 24" W x 30" H	-	-	-	-	-	-	-	-	✓	-	-	-	-	
W936	Single Door Wall Cabinet - 9" W x 36" H	✓	✓	✓	✓	✓	✓	✓	✓	✓	✓	✓	✓	✓	
W1236	Single Door Wall Cabinet - 12" W x 36" H	✓	✓	✓	✓	✓	✓	✓	✓	✓	✓	✓	✓	✓	
W1536	Single Door Wall Cabinet - 15" W x 36" H	✓	✓	✓	✓	✓	✓	✓	✓	✓	✓	✓	✓	✓	
W1836	Single Door Wall Cabinet - 18" W x 36" H	✓	✓	✓	✓	✓	✓	✓	✓	✓	✓	✓	✓	✓	
W2136	Single Door Wall Cabinet - 21" W x 36" H	✓	✓	✓	✓	✓	✓	✓	✓	✓	✓	✓	✓	✓	
W2430-2	Double Door Wall Cabinet - 24" W x 30" H	✓	✓	✓	✓	✓	✓	✓	✓	-	✓	✓	✓	✓	
W2730	Double Door Wall Cabinet - 27" W x 30" H	✓	✓	✓	✓	✓	✓	✓	✓	✓	✓	✓	✓	✓	
W3030	Double Door Wall Cabinet - 30" W x 30" H	✓	✓	✓	✓	✓	✓	✓	✓	✓	✓	✓	✓	✓	
W3330	Double Door Wall Cabinet - 33" W x 30" H	✓	✓	✓	✓	✓	✓	✓	✓	✓	✓	✓	✓	✓	
W3630	Double Door Wall Cabinet - 36" W x 30" H	✓	✓	✓	✓	✓	✓	✓	✓	✓	✓	✓	✓	✓	
W3930	Double Door Wall Cabinet - 39" W x 30" H	✓	✓	✓	✓	✓	✓	✓	✓	-	-	-	-	-	
W2436-2	Double Door Wall Cabinet - 24" W x 36" H	✓	✓	✓	✓	✓	✓	✓	✓	✓	✓	✓	✓	✓	

Item Code	Item Description	Shaker Designer White	Shaker Espresso	Brooklyn Bright White	Brooklyn Modern Gray	Brooklyn Slate	Lenox Mocha	Lenox Canvas	Lenox Country Linen	Alex Brandwine	Taylor White	Taylor Espresso	Taylor Creme	Taylor Mocha
Premier										Select	Value			
Wall Cabinets														
W2736	Double Door Wall Cabinet - 27" W x 36" H	✓	✓	✓	✓	✓	✓	✓	✓	✓	✓	✓	✓	✓
W3036	Double Door Wall Cabinet - 30" W x 36" H	✓	✓	✓	✓	✓	✓	✓	✓	✓	✓	✓	✓	✓
W3336	Double Door Wall Cabinet - 33" W x 36" H	✓	✓	✓	✓	✓	✓	✓	✓	✓	✓	✓	✓	✓
W3636	Double Door Wall Cabinet - 36" W x 36" H	✓	✓	✓	✓	✓	✓	✓	✓	✓	✓	✓	✓	✓
W3936	Double Door Wall Cabinet - 39" W x 36" H	✓	✓	✓	✓	✓	✓	✓	✓	-	-	-	-	-
W4230	Double Door Wall Cabinet - 42" W x 30" H	✓	✓	✓	✓	✓	✓	✓	✓	✓	-	-	-	-
W4236	Double Door Wall Cabinet - 42" W x 36" H	✓	✓	✓	✓	✓	✓	✓	✓	✓	-	-	-	-
BW2430	Blind Wall Cabinet - 24" W x 30" H	✓	✓	✓	✓	✓	✓	✓	✓	-	-	-	-	-
BW3030	Blind Wall Cabinet - 30" W x 30" H	✓	✓	✓	✓	✓	✓	✓	✓	✓	✓	✓	✓	✓
BW3630	Blind Wall Cabinet - 36" W x 30" H	✓	✓	✓	✓	✓	✓	✓	✓	✓	✓	✓	✓	✓
BW2436	Blind Wall Cabinet - 24" W x 36" H	✓	✓	✓	✓	✓	✓	✓	✓	-	-	-	-	-
BW3036	Blind Wall Cabinet - 30" W x 36" H	✓	✓	✓	✓	✓	✓	✓	✓	✓	✓	✓	✓	✓
BW3636	Blind Wall Cabinet - 36" W x 36" H	✓	✓	✓	✓	✓	✓	✓	✓	✓	✓	✓	✓	✓
CW2430	Corner Wall Cabinet - 24" W x 30" H	✓	✓	✓	✓	✓	✓	✓	✓	✓	✓	✓	✓	✓
CW2730	Corner Wall Cabinet - 27" W x 30" H	✓	✓	✓	✓	✓	✓	✓	✓	-	✓	✓	✓	✓
CW2436	Corner Wall Cabinet - 24" W x 36" H	✓	✓	✓	✓	✓	✓	✓	✓	✓	✓	✓	✓	✓
CW2736	Corner Wall Cabinet - 27" W x 36" H	✓	✓	✓	✓	✓	✓	✓	✓	-	✓	✓	✓	✓
W942	Single Door Wall Cabinet - 9" W x 42" H	✓	✓	✓	✓	✓	✓	✓	✓	✓	✓	✓	✓	✓
W1242	Single Door Wall Cabinet - 12" W x 42" H	✓	✓	✓	✓	✓	✓	✓	✓	✓	✓	✓	✓	✓
W1542	Single Door Wall Cabinet - 15" W x 42" H	✓	✓	✓	✓	✓	✓	✓	✓	✓	✓	✓	✓	✓
W1842	Single Door Wall Cabinet - 18" W x 42" H	✓	✓	✓	✓	✓	✓	✓	✓	✓	✓	✓	✓	✓
W2142	Single Door Wall Cabinet - 21" W x 42" H	✓	✓	✓	✓	✓	✓	✓	✓	✓	✓	✓	✓	✓
W2442-2	Double Door Wall Cabinet - 24" W x 42" H	✓	✓	✓	✓	✓	✓	✓	✓	✓	✓	✓	✓	✓
W2742	Double Door Wall Cabinet - 27" W x 42" H	✓	✓	✓	✓	✓	✓	✓	✓	✓	✓	✓	✓	✓
W3042	Double Door Wall Cabinet - 30" W x 42" H	✓	✓	✓	✓	✓	✓	✓	✓	✓	✓	✓	✓	✓
W3342	Double Door Wall Cabinet - 33" W x 42" H	✓	✓	✓	✓	✓	✓	✓	✓	✓	✓	✓	✓	✓
W3642	Double Door Wall Cabinet - 36" W x 42" H	✓	✓	✓	✓	✓	✓	✓	✓	✓	✓	✓	✓	✓
W3942	Double Door Wall Cabinet - 39" W x 42" H	✓	✓	✓	✓	✓	✓	✓	✓	-	-	-	-	-
W4242	Double Door Wall Cabinet - 42" W x 42" H	✓	✓	✓	✓	✓	✓	✓	✓	✓	-	-	-	-
BW2442	Blind Wall Cabinet - 24" W x 42" H	✓	✓	✓	✓	✓	✓	✓	✓	-	-	-	-	-
BW3042	Blind Wall Cabinet - 30" W x 42" H	✓	✓	✓	✓	✓	✓	✓	✓	✓	✓	✓	✓	✓
BW3642	Blind Wall Cabinet - 36" W x 42" H	✓	✓	✓	✓	✓	✓	✓	✓	✓	✓	✓	✓	✓
CW2442	Corner Wall Cabinet - 24" W x 42" H	✓	✓	✓	✓	✓	✓	✓	✓	✓	✓	✓	✓	✓
CW2742	Corner Wall Cabinet - 27" W x 42" H	✓	✓	✓	✓	✓	✓	✓	✓	✓	✓	✓	✓	✓
WEC30	Wall End Cabinet - 12" W x 30" H x 12" D	✓	✓	✓	✓	✓	✓	✓	✓	-	-	-	-	-

Item Code	Item Description	Shaker Designer White	Shaker Espresso	Brooklyn Bright White	Brooklyn Modern Gray	Brooklyn Slate	Lenox Mocha	Lenox Canvas	Lenox Country Linen	Alex Brandwine	Taylor White	Taylor Espresso	Taylor Creme	Taylor Mocha	
		Premier									Select	Value			
Wall Cabinets															
WEC36	Wall End Cabinet - 12" W x 36" H x 12" D	✓	✓	✓	✓	✓	✓	✓	✓	-	-	-	-	-	
WEC42	Wall End Cabinet - 12" W x 42" H x 12" D	✓	✓	✓	✓	✓	✓	✓	✓	-	-	-	-	-	
WQR630	Wall End Shelf - 6" W x 30" H x 12" D	✓	✓	✓	✓	✓	✓	✓	✓	-	-	-	-	-	
WQR636	Wall End Shelf - 6" W x 36" H x 12" D	✓	✓	✓	✓	✓	✓	✓	✓	-	-	-	-	-	
WQR642	Wall End Shelf - 6" W x 42" H x 12" D	✓	✓	✓	✓	✓	✓	✓	✓	-	-	-	-	-	
WMW303318	Wall Microwave Cabinet - 30" W x 33" H x 18"	✓	✓	✓	✓	✓	✓	✓	✓	-	-	-	-	-	
WMW303918	Wall Microwave Cabinet - 30" W x 39" H x 18"	✓	✓	✓	✓	✓	✓	✓	✓	-	-	-	-	-	
WMW304518	Wall Microwave Cabinet - 30" W x 45" H x 18"	✓	✓	✓	✓	✓	✓	✓	✓	-	-	-	-	-	
DWR1548	Wall Twr w/ 3 Drws - 15" W x 48" H x 14.5" D	✓*	✓	✓	✓	✓	✓	✓	✓	-	-	-	-	-	
DWR1554	Wall Twr w/ 3 Drws - 15" W x 54" H x 14.5" D	✓*	✓	✓	✓	✓	✓	✓	✓	-	-	-	-	-	
DWR1560	Wall Twr w/ 3 Drws - 15" W x 60" H x 14.5" D	✓*	✓	✓	✓	✓	✓	✓	✓	-	-	-	-	-	
WO306	Wall Organizer - 30" W x 6" H x 12" D	✓	-	✓	✓	✓	✓	✓	✓	-	-	-	-	-	
WO366	Wall Organizer - 36" W x 6" H x 12" D	-	-	✓	✓	✓	✓	✓	✓	-	-	-	-	-	
WR3018	Wine Rack - 30" W x 18" H x 12" D	✓	✓	✓	✓	✓	✓	✓	✓	-	✓	✓	✓	✓	
Base Cabinets															
B09	Single Door Full Height Base Cabinet - 9" W	✓	✓	✓	✓	✓	✓	✓	✓	✓	✓	✓	✓	✓	
B12	Single Door Standard Base Cabinet - 12" W	✓*	✓	✓	✓	✓	✓	✓	✓	✓	✓*	✓*	✓*	✓*	
B09	Single Door Full Height Base Cabinet - 9" W	✓	✓	✓	✓	✓	✓	✓	✓	✓	✓	✓	✓	✓	
B12	Single Door Standard Base Cabinet - 12" W	✓*	✓	✓	✓	✓	✓	✓	✓	✓	✓*	✓*	✓*	✓*	
B15	Single Door Standard Base Cabinet - 15" W	✓*	✓	✓	✓	✓	✓	✓	✓	✓	✓*	✓*	✓*	✓*	
B18	Single Door Standard Base Cabinet - 18" W	✓*	✓	✓	✓	✓	✓	✓	✓	✓	✓*	✓*	✓*	✓*	
B21	Single Door Standard Base Cabinet - 21" W	✓*	✓	✓	✓	✓	✓	✓	✓	✓	✓*	✓*	✓*	✓*	
B24-1	Single Door Standard Base Cabinet - 24" W	-	-	-	-	-	-	-	-	✓	-	-	-	-	
B24-2	Double Door Standard Base Cabinet - 24" W	✓*	✓	✓	✓	✓	✓	✓	✓	-	✓*	✓*	✓*	✓*	
B27	Double Door Standard Base Cabinet - 27" W	✓*	✓	✓	✓	✓	✓	✓	✓	✓	✓*	✓*	✓*	✓*	
B30	Double Door Standard Base Cabinet - 30" W	✓*	✓	✓	✓	✓	✓	✓	✓	✓	✓*	✓*	✓*	✓*	
B33	Double Door Standard Base Cabinet - 33" W	✓*	✓	✓	✓	✓	✓	✓	✓	✓	✓*	✓*	✓*	✓*	
B36	Double Door Standard Base Cabinet - 36" W	✓*	✓	✓	✓	✓	✓	✓	✓	✓	✓*	✓*	✓*	✓*	
B39	Double Door Standard Base Cabinet - 39" W	✓*	✓	✓	✓	✓	✓	✓	✓	-	-	-	-	-	
B42	Double Door Standard Base Cabinet - 42" W	✓*	✓	✓	✓	✓	✓	✓	✓	✓	-	-	-	-	

*All Shaker Designer White drawers are available with either a slab drawer front or 5-Piece drawer front. All 5-Piece SKUs are notated with '5PC' on the Order Form

*All Value Series drawers can be upgraded. Upgrade includes: Drawer Box: 5/8" Solid Wood, Dovetailed; Drawer Slides: Under Mount, Full Extension, Metal, Soft Close with Ball Bearings. All Drawer Upgrade SKUs are notated with 'DU' on the Order Form

Item Code	Item Description	Shaker Designer White	Shaker Espresso	Brooklyn Bright White	Brooklyn Modern Gray	Brooklyn Slate	Lenox Mocha	Lenox Canvas	Lenox Country Linen	Alex Brandwine	Taylor White	Taylor Espresso	Taylor Creme	Taylor Mocha
		Premier									Select	Value		
Base Cabinets														
DB12-3	Drawer Base Cabinet - 12" W	✓	✓	✓	✓	✓	✓	✓	✓	✓	✓	✓	✓	✓
DB15-3	Drawer Base Cabinet - 15" W	✓	✓	✓	✓	✓	✓	✓	✓	✓	✓	✓	✓	✓
DB18-3	Drawer Base Cabinet - 18" W	✓	✓	✓	✓	✓	✓	✓	✓	✓	✓	✓	✓	✓
DB21-3	Drawer Base Cabinet - 21" W	✓	✓	✓	✓	✓	✓	✓	✓	-	✓	✓	✓	✓
DB24-3	Drawer Base Cabinet - 24" W	✓	✓	✓	✓	✓	✓	✓	✓	✓	✓	✓	✓	✓
DB30-3	Drawer Base Cabinet - 30" W	✓	✓	✓	✓	✓	✓	✓	✓	-	✓	✓	✓	✓
DB36-3	Drawer Base Cabinet - 36" W	✓	✓	✓	✓	✓	✓	✓	✓	-	-	-	-	-
CC30	Cooking Center Base Cabinet	✓	✓	✓	✓	✓	✓	✓	✓	-	-	-	-	-
FSB36	Farm Sink Base Cabinet	✓	✓	✓	✓	✓	✓	✓	✓	-	-	-	-	-
TRB18FH-1	Trash Can Base w/ Full Ht Door -18" W	✓	✓	✓	✓	✓	✓	✓	✓	-	-	-	-	-
TRB18FH-2	Trash Can Base w/ Full Ht Door -18" W	✓	✓	✓	✓	✓	✓	✓	✓	-	-	-	-	-
SB30	Sink Base Cabinet - 30" W x 34.5" H	✓	✓	✓	✓	✓	✓	✓	✓	-	✓	✓	✓	✓
SB33	Sink Base Cabinet - 33" W x 34.5" H	✓	✓	✓	✓	✓	✓	✓	✓	✓	✓	✓	✓	✓
SB36	Sink Base Cabinet - 36" W x 34.5" H	✓	✓	✓	✓	✓	✓	✓	✓	✓	✓	✓	✓	✓
SB42	Sink Base Cabinet w/ CS - 42" W x 34.5" H	✓	✓	✓	✓	✓	✓	✓	✓	✓	✓	✓	✓	✓
SB48	Sink Base Cabinet w/ CS - 48" W x 34.5" H	✓	✓	✓	✓	✓	✓	✓	✓	-	-	-	-	-
CSF42	Corner Sink Front for 42" Space - 27" W	✓	✓	✓	✓	✓	✓	✓	✓	✓	✓	✓	✓	✓
CSF-FLOOR	Natural Corner Sink Front Floor 48" x 48"	✓	✓	✓	✓	✓	✓	✓	✓	✓	✓	✓	✓	✓
BB36	Blind Base Cabinet for 36" to 39" Space - 30" W	✓	✓	✓	✓	✓	✓	✓	✓	✓	✓	✓	✓	✓
BB42	Blind Base Cabinet for 42" to 45" Space - 36" W	✓	✓	✓	✓	✓	✓	✓	✓	✓	✓	✓	✓	✓
BB48	Blind Base Cab for 48" to 51" Space - 48" W	✓	✓	✓	✓	✓	✓	✓	✓	✓	✓	✓	✓	✓
ER33	Easy Reach Base Cabinet - 33" W x 33" D	✓	✓	✓	✓	✓	✓	✓	✓	-	-	-	-	-
ER36	Easy Reach Base Cabinet - 36" W x 36" D	✓	✓	✓	✓	✓	✓	✓	✓	✓	✓	✓	✓	✓
TAB12FHD-L	Angle Base with Hinges on Left	✓	✓	✓	✓	✓	✓	✓	✓	-	-	-	-	-
TAB12FHD-R	Angle Base with Hinges on Right	✓	✓	✓	✓	✓	✓	✓	✓	-	-	-	-	-
DDB18	Desk Drawer Base - 18" W x 29.5" H x 24" D	✓	✓	✓	✓	✓	✓	✓	✓	✓	-	-	-	-
Tall Cabinets														
P1884	Pantry - 18" W x 84" H	✓	✓	✓	✓	✓	✓	✓	✓	✓	✓	✓	✓	✓
P1890	Pantry - 18" W x 90" H	✓	✓	✓	✓	✓	✓	✓	✓	✓	✓	✓	✓	✓
P1896	Pantry - 18" W x 96" H	✓	✓	✓	✓	✓	✓	✓	✓	✓	✓	✓	✓	✓
P2484	Pantry - 24" W x 84" H	✓	✓	✓	✓	✓	✓	✓	✓	✓	-	-	-	-
P2490	Pantry - 24" W x 90" H	✓	✓	✓	✓	✓	✓	✓	✓	✓	-	-	-	-

*All Shaker Designer White drawers are available with either a slab drawer front or 5-Piece drawer front. All 5-Piece SKUs are notated with '5PC' on the Order Form

*All Value Series drawers can be upgraded. Upgrade includes: Drawer Box: 5/8" Solid Wood, Dovetailed; Drawer Slides: Under Mount, Full Extension, Metal, Soft Close with Ball Bearings. All Drawer Upgrade SKUs are notated with 'DU' on the Order Form

Item Code	Item Description	Shaker Designer White	Shaker Espresso	Brooklyn Bright White	Brooklyn Modern Gray	Brooklyn Slate	Lenox Mocha	Lenox Canvas	Lenox Country Linen	Alex Brandwine	Taylor White	Taylor Espresso	Taylor Creme	Taylor Mocha	
		Premier									Select	Value			
Tall Cabinets															
P2496	Pantry - 24" W x 96" H	✓	✓	✓	✓	✓	✓	✓	✓	✓	-	-	-	-	
P3084	Pantry - 30" W x 84" H	✓	✓	✓	✓	✓	✓	✓	✓	✓	-	-	-	-	
P3090	Pantry - 30" W x 90" H	✓	✓	✓	✓	✓	✓	✓	✓	✓	-	-	-	-	
P3096	Pantry - 30" W x 96" H	✓	✓	✓	✓	✓	✓	✓	✓	✓	-	-	-	-	
OC3384	Oven Cabinet - 33" W x 84" H	✓+	✓	✓	✓	✓	✓	✓	✓	-	-	-	-	-	
OC3390	Oven Cabinet - 33" W x 90" H	✓+	✓	✓	✓	✓	✓	✓	✓	-	✓*	✓*	✓*	✓*	
OC3396	Oven Cabinet - 33" W x 96" H	✓+	✓	✓	✓	✓	✓	✓	✓	-	✓*	✓*	✓*	✓*	
OP3333	Oven Cabinet Overlay Panel - 33" W x 33" H	✓	✓	✓	✓	✓	✓	✓	✓	-	-	-	-	-	
OP3348	Oven Cabinet Overlay Panel - 33" W x 48" H	✓	✓	✓	✓	✓	✓	✓	✓	-	-	-	-	-	
OP3353	Oven Cabinet Overlay Panel - 33" W x 53" H	✓	✓	✓	✓	✓	✓	✓	✓	-	-	-	-	-	
OP3362	Oven Cabinet Overlay Panel - 33" W x 62" H	✓	✓	✓	✓	✓	✓	✓	✓	-	✓	✓	✓	✓	
OCD337	Oven Cabinet Drawer	✓+	✓	✓	✓	✓	✓	✓	✓	-	✓*	✓*	✓*	✓*	
Vanities															
V24-1	Single Door Vanity - 24" W x 34.5" H x 21" D	-	-	-	-	-	-	-	-	✓	-	-	-	-	
V24-2	Double Door Vanity - 24" W x 34.5" H x 21" D	✓+	✓	✓	✓	✓	✓	✓	✓	-	✓	✓	✓	✓	
V27	Double Door Vanity - 27" W x 34.5" H x 21" D	✓+	✓	✓	✓	✓	✓	✓	✓	-	✓	✓	✓	✓	
V30	Double Door Vanity - 30" W x 34.5" H x 21" D	✓+	✓	✓	✓	✓	✓	✓	✓	✓	✓	✓	✓	✓	
V33	Double Door Vanity - 33" W x 34.5" H x 21" D	✓+	✓	✓	✓	✓	✓	✓	✓	-	✓	✓	✓	✓	
V36	Double Door Vanity - 36" W x 34.5" H x 21" D	✓+	✓	✓	✓	✓	✓	✓	✓	✓	✓	✓	✓	✓	
V42	Double Door Vanity - 42" W x 34.5" H x 21" D	-	-	-	-	-	-	-	-	✓	-	-	-	-	
VB12	Single Door Base Vanity - 12" W x 21" D	✓+	✓	✓	✓	✓	✓	✓	✓	-	-	-	-	-	
VB15	Single Door Base Vanity - 15" W x 21" D	✓+	✓	✓	✓	✓	✓	✓	✓	-	✓*	✓*	✓*	✓*	
VB18	Single Door Base Vanity - 18" W x 21" D	✓+	✓	✓	✓	✓	✓	✓	✓	-	✓*	✓*	✓*	✓*	
VDB12	Vanity Drawer Base - 12" W x 34.5" H x 21" D	✓+	✓	✓	✓	✓	✓	✓	✓	✓	✓*	✓*	✓*	✓*	
VDB15	Vanity Drawer Base - 15" W x 34.5" H x 21" D	✓+	✓	✓	✓	✓	✓	✓	✓	✓	✓*	✓*	✓*	✓*	
VDB18	Vanity Drawer Base - 18" W x 34.5" H x 21" D	✓+	✓	✓	✓	-	✓	✓	✓	-	✓*	✓*	✓*	✓*	
VDB21	Vanity Drawer Base - 21" W x 34.5" H	-	-	-	-	-	-	-	-	-	✓*	✓*	✓*	✓*	
VDB24	Vanity Drawer Base - 24" W x 34.5" H	✓+	-	✓	✓	✓	✓	✓	✓	-	✓*	✓*	✓*	✓*	
VSB36	Vanity Sink Base - 36" W x 34.5" H x 21" D	✓+	✓	✓	✓	✓	✓	✓	✓	✓	✓*	✓*	✓*	✓*	
VSB42	Vanity Sink Base - 42" W x 34.5" H x 21" D	✓+	✓	✓	✓	✓	✓	✓	✓	✓	✓*	✓*	✓*	✓*	
VSB48	Vanity Sink Base - 48" W x 34.5" H x 21" D	✓+	✓	✓	✓	✓	✓	✓	✓	✓	✓*	✓*	✓*	✓*	

*All Shaker Designer White drawers are available with either a slab drawer front or 5-Piece drawer front. All 5-Piece SKUs are notated with '5PC' on the Order Form

*All Value Series drawers can be upgraded. Upgrade includes: Drawer Box: 5/8" Solid Wood, Dovetailed; Drawer Slides: Under Mount, Full Extension, Metal, Soft Close with Ball Bearings. All Drawer Upgrade SKUs are notated with 'DU' on the Order Form

Item Code	Item Description	Shaker Designer White	Shaker Espresso	Brooklyn Bright White	Brooklyn Modern Gray	Brooklyn Slate	Lenox Mocha	Lenox Canvas	Lenox Country Linen	Alex Brandwine	Taylor White	Taylor Espresso	Taylor Creme	Taylor Mocha
		Premier									Select	Value		
Vanities														
VSBDR36	Vanity Sink Base Right Drawer Stack 36" W x 34.5" H x 21" D	✓	✓	✓	✓	✓	✓	✓	✓	-	-	-	-	-
VSDL36	Vanity Sink Base Left Drawer Stack 36" W x 34.5" H x 21" D	✓	✓	✓	✓	✓	✓	✓	✓	-	-	-	-	-
DVSB54	Double Vanity SB - 54" W x 34.5" H x 21" D	-	-	-	-	-	-	-	-	-	✓*	✓*	✓*	✓*
DVSB60	Double Vanity SB - 60" W x 34.5" H x 21" D	-	-	-	-	-	-	-	-	-	✓*	✓*	✓*	✓*
EVSB54	Extended Vanity SB - 54" W x 34.5" H x 21" D	-	-	-	-	-	-	-	-	-	✓*	✓*	✓*	✓*
EVSB60	Extended Vanity SB - 60" W x 34.5" H x 21" D	-	-	-	-	-	-	-	-	-	✓*	✓*	✓*	✓*
KD24	Vanity Drawer - 24" W	✓	✓	✓	✓	✓	✓	✓	✓	✓	-	-	-	-
KD36	Vanity Drawer - 36" W with Adjustable Sides	✓	✓	✓	✓	✓	✓	✓	✓	-	✓*	✓*	✓*	✓*
Moldings and Trim														
TKS8	Toe Kick	✓	✓	✓	✓	✓	✓	✓	✓	✓	✓	✓	✓	✓
SCRIBE	Scribe	✓	✓	✓	✓	✓	✓	✓	✓	✓	✓	✓	✓	✓
SHOE	Shoe Molding	✓	✓	✓	✓	✓	✓	✓	✓	✓	✓	✓	✓	✓
FBM8	Furniture Base Molding	✓	✓	✓	✓	✓	✓	✓	✓	-	✓	✓	✓	✓
CM8	Traditional Crown Molding	-	-	✓	✓	✓	✓	✓	✓	✓	✓	✓	✓	✓
BCM8	Large Crown Molding	-	-	✓	✓	✓	✓	✓	✓	✓	✓	✓	✓	✓
RCM8	Royal Crown Molding	✓	✓	✓	✓	✓	✓	✓	✓	-	-	-	-	-
SCM8	Shaker Crown Molding	✓	✓	-	-	-	-	-	-	-	-	-	-	-
COM8	Cove Crown Molding	✓	✓	✓	✓	✓	✓	✓	✓	-	✓	✓	✓	✓
BAM8	Batten Molding	✓	✓	✓	✓	✓	✓	✓	✓	-	✓	✓	✓	✓
OCM8	Outside Corner Molding	✓	✓	✓	✓	✓	✓	✓	✓	✓	✓	✓	✓	✓
LRM8	Traditional Light Rail	✓	✓	✓	✓	✓	✓	✓	✓	-	✓	✓	✓	✓
BEM8	Bottom Edge Molding (Narrow Light Rail)	✓	✓	✓	✓	✓	✓	✓	✓	-	-	-	-	-
Fillers and Panels														
BPLG4896	Back Panel (Long Grain) - 48" W x 96" H	✓	✓	✓	✓	✓	✓	✓	✓	✓	✓	✓	✓	✓
BPSG9648	Back Panel (Short Grain) - 96" W x 48" H	-	✓	-	-	✓	✓	-	-	✓	-	✓	-	✓
BBP4842	Bead Board - 48" W x 42" H x 0.25" D	✓	✓	✓	✓	✓	✓	✓	✓	-	✓	✓	✓	✓
PSP4896	1/2" Thick Finished Plywood Filler	✓	✓	✓	✓	✓	✓	✓	✓	-	-	-	-	-
DWR3	Dish Washer End Panel	✓	✓	✓	✓	✓	✓	✓	✓	✓	✓	✓	✓	✓
TEP3096	Tall End Panel	✓	✓	✓	✓	✓	✓	✓	✓	✓	✓	✓	✓	✓
BCE1596	Book Case End - 1.5" W x 96" H x 15" D	✓	✓	✓	✓	✓	✓	✓	✓	-	-	-	-	-
F396	Filler - 3" W x 96" H	✓	✓	✓	✓	✓	✓	✓	✓	✓	✓	✓	✓	✓
F696	Filler - 6" W x 96" H	✓	✓	✓	✓	✓	✓	✓	✓	✓	✓	✓	✓	✓
OLF330	Overlay Filler - 3" W x 30" H	✓	✓	✓	✓	✓	✓	✓	✓	-	-	-	-	-

Item Code	Item Description	Shaker Designer White	Shaker Espresso	Brooklyn Bright White	Brooklyn Modern Gray	Brooklyn Slate	Lenox Mocha	Lenox Canvas	Lenox Country Linen	Alex Brandwine	Taylor White	Taylor Espresso	Taylor Creme	Taylor Mocha	
Premier										Select	Value				
Fillers and Panels															
OLF336	Overlay Filler - 3" W x 36" H	✓	✓	✓	✓	✓	✓	✓	✓	-	-	-	-	-	
OLF342	Overlay Filler - 3" W x 42" H	✓	✓	✓	✓	✓	✓	✓	✓	-	-	-	-	-	
OLF384	Overlay Filler - 3" W x 84" H	-	-	✓	✓	✓	✓	✓	✓	-	-	-	-	-	
WFF330	Wall Fluted Filler - 3" W x 30" H	-	-	✓	✓	✓	✓	✓	✓	-	-	-	-	-	
WFF336	Wall Fluted Filler - 3" W x 36" H	-	-	✓	✓	✓	✓	✓	✓	-	-	-	-	-	
WFF342	Wall Fluted Filler - 3" W x 42" H	-	-	✓	✓	✓	✓	✓	✓	-	-	-	-	-	
FF396	Fluted Filler - 3" W x 96" H	-	-	✓	✓	✓	✓	✓	✓	-	-	-	-	-	
AFF330	Angle Fluted Filler - 3"W x 30"H x 3"D	-	-	✓	✓	✓	✓	✓	✓	-	-	-	-	-	
Decorative Accessories															
CORSM	Basic Medium Corbel - 10.5" H	✓	✓	✓	✓	✓	✓	✓	✓	-	✓	✓	✓	✓	
CORCM	Ornate Medium Corbel - 10.5" H	-	-	✓	✓	✓	✓	✓	✓	-	-	-	-	-	
CORCL	Ornate Large Corbel - 14" H	-	-	✓	✓	✓	✓	✓	✓	-	-	-	-	-	
BLOCK	Block	-	-	✓	✓	✓	✓	✓	✓	-	-	-	-	-	
SPINDLE	Spindle	-	-	✓	✓	✓	✓	✓	✓	-	-	-	-	-	
FC36	Fluted Column - 36" H	-	-	-	-	-	✓	✓	✓	-	-	-	-	-	
FC96	Fluted Column - 96" H	-	-	-	-	-	✓	✓	✓	-	-	-	-	-	
TBUNFOOT	Bunfoot	✓	✓	✓	✓	✓	✓	✓	✓	-	-	-	-	-	
TPOSTP3	Turned Post - 3" W x 35.5" H	✓	✓	✓	✓	✓	✓	✓	✓	-	-	-	-	-	
TPOSTP5	Turned Post - 5" W x 35.5" H	✓	✓	✓	✓	✓	✓	✓	✓	-	-	-	-	-	
VFURN31	Furniture Valance - 31" W	✓	✓	✓	✓	✓	✓	✓	✓	-	-	-	-	-	
VFURN37	Furniture Valance - 37" W	✓	✓	✓	✓	✓	✓	✓	✓	-	-	-	-	-	
VFURN43	Furniture Valance - 43" W	✓	✓	✓	✓	✓	✓	✓	✓	-	-	-	-	-	
VRP42	Raised Panel Valance - 42" W	-	-	-	-	-	✓	✓	✓	-	-	-	-	-	
VRP48	Raised Panel Valance - 48" W	-	-	-	-	-	✓	✓	✓	-	-	-	-	-	
MDW1530	Mullion Door for W1530	-	-	-	-	-	✓	✓	✓	-	-	-	-	-	
MDW1536	Mullion Door for W1536	-	-	-	-	-	✓	✓	✓	-	-	-	-	-	
MDW1542	Mullion Door for W1542	-	-	-	-	-	✓	✓	✓	-	-	-	-	-	
MDW1830	Mullion Door for W1830	-	-	-	-	-	✓	✓	✓	-	-	-	-	-	
MDW1836	Mullion Door for W1836	-	-	-	-	-	✓	✓	✓	-	-	-	-	-	
MDW1842	Mullion Door for W1842	-	-	-	-	-	✓	✓	✓	-	-	-	-	-	

Item Code	Item Description	Shaker Designer White	Shaker Espresso	Brooklyn Bright White	Brooklyn Modern Gray	Brooklyn Slate	Lenox Mocha	Lenox Canvas	Lenox Country Linen	Alex Brandwine	Taylor White	Taylor Espresso	Taylor Creme	Taylor Mocha	
Premier											Select	Value			
Decorative Accessories															
MDCW2430	Mullion Door for CW2430	-	-	-	-	-	✓	✓	✓	-	-	-	-	-	
MDCW2436	Mullion Door for CW2436	-	-	-	-	-	✓	✓	✓	-	-	-	-	-	
MDCW2442	Mullion Door for CW2442	-	-	-	-	-	✓	✓	✓	-	-	-	-	-	
CFG-W1530	Cut for Glass Door for W1530	-	-	✓	✓	✓	-	-	-	-	-	-	-	-	
CFG-W1536	Cut for Glass Door for W1536	-	-	✓	✓	✓	-	-	-	-	-	-	-	-	
CFG-W1542	Cut for Glass Door for W1542	-	-	✓	✓	✓	-	-	-	-	-	-	-	-	
CFG-W1830	Cut for Glass Door for W1830	-	-	✓	✓	✓	-	-	-	-	-	-	-	-	
CFG-W1836	Cut for Glass Door for W1836	-	-	✓	✓	✓	-	-	-	-	-	-	-	-	
CFG-W1842	Cut for Glass Door for W1842	-	-	✓	✓	✓	-	-	-	-	-	-	-	-	
CFG-CW2430	Cut for Glass Door for CW2430	-	-	✓	✓	✓	-	-	-	-	-	-	-	-	
CFG-CW2436	Cut for Glass Door for CW2436	-	-	✓	✓	✓	-	-	-	-	-	-	-	-	
CFG-CW2442	Cut for Glass Door for CW2442	-	-	✓	✓	✓	-	-	-	-	-	-	-	-	
DWP1230	Decorative Wall Panel - 12" W x 30" H	✓	✓	✓	✓	✓	✓	✓	✓	-	-	-	-	-	
DWP1236	Decorative Wall Panel - 12" W x 36" H	✓	✓	✓	✓	✓	✓	✓	✓	-	-	-	-	-	
DWP1242	Decorative Wall Panel - 12" W x 42" H	✓	✓	✓	✓	✓	✓	✓	✓	-	-	-	-	-	
DWP2430	Decorative Wall Panel - 24" W x 30" H	✓	✓	✓	✓	✓	✓	✓	✓	-	-	-	-	-	
Attachments and Inserts															
ROT15	Natural Roll Out Tray for 15" Space (2/pkg)	✓	✓	✓	✓	✓	✓	✓	✓	✓	✓	✓	✓	✓	
ROT18	Natural Roll Out Tray for 18" Space (2/pkg)	✓	✓	✓	✓	✓	✓	✓	✓	✓	✓	✓	✓	✓	
ROT21	Natural Roll Out Tray for 21" Space (2/pkg)	✓	✓	✓	✓	✓	✓	✓	✓	✓	✓	✓	✓	✓	
ROT24	Natural Roll Out Tray for 24" Space (2/pkg)	✓	✓	✓	✓	✓	✓	✓	✓	✓	✓	✓	✓	✓	
ROT27	Natural Roll Out Tray for 27" Space (2/pkg)	✓	✓	✓	✓	✓	✓	✓	✓	✓	✓	✓	✓	✓	
ROT30	Natural Roll Out Tray for 30" Space (2/pkg)	✓	✓	✓	✓	✓	✓	✓	✓	✓	✓	✓	✓	✓	
ROT36	Natural Roll Out Tray for 36" Space (2/pkg)	✓	✓	✓	✓	✓	✓	✓	✓	✓	✓	✓	✓	✓	
LSK	Natural Lazy Susan Kit (2/pkg)	✓	✓	✓	✓	✓	✓	✓	✓	✓	✓	✓	✓	✓	
TCCK	Trash Can Insert for B18 with 2 35 QT Trash Cans	✓	✓	✓	✓	✓	✓	✓	✓	✓	✓	✓	✓	✓	
SRI9	Natural Spice Rack Insert for B9 Drawer	✓	✓	✓	✓	✓	✓	✓	✓	✓	✓	✓	✓	✓	
CDI14	Natural Cutlery Drawer Insert for B15/B18	✓	✓	✓	✓	✓	✓	✓	✓	✓	✓	✓	✓	✓	
CDI20	Natural Cutlery Drawer Insert for B21/B24	✓	✓	✓	✓	✓	✓	✓	✓	✓	✓	✓	✓	✓	
SRD12	Natural Spice Rack Door Mount for 15" Door	✓	✓	✓	✓	✓	✓	✓	✓	✓	✓	✓	✓	✓	
SRD15	Natural Spice Rack Door Mount for 18" Door	✓	✓	✓	✓	✓	✓	✓	✓	✓	✓	✓	✓	✓	
STI14	Natural Spice Tray Drawer Insert for B15/B18	✓	✓	✓	✓	✓	✓	✓	✓	✓	✓	✓	✓	✓	
STI20	Natural Spice Tray Drawer Insert for B21/B24	✓	✓	✓	✓	✓	✓	✓	✓	✓	✓	✓	✓	✓	
SWR3012	Stemware Rack	✓	✓	✓	✓	✓	✓	✓	✓	-	-	-	-	-	

Item Code	Item Description	Shaker Designer White	Shaker Espresso	Brooklyn Bright White	Brooklyn Modern Gray	Brooklyn Slate	Lenox Mocha	Lenox Canvas	Lenox Country Linen	Alex Brandwine	Taylor White	Taylor Espresso	Taylor Creme	Taylor Mocha	
Premier										Select	Value				
Miscellaneous Parts															
SHELF1296	Natural Shelf - 96" W x 12" D	✓	✓	✓	✓	✓	✓	✓	✓	✓	✓	✓	✓	✓	
SHELF1296	Painted/Stained Shelf - 96" W x 12" D	✓	✓	✓	✓	✓	✓	✓	✓	-	✓	✓	✓	✓	
SHELF2496	Natural Shelf - 96" W x 24" D	✓	✓	✓	✓	✓	✓	✓	✓	✓	✓	✓	✓	✓	
GLZPEN	Glaze Pen	-	-	-	-	-	✓	-	✓	-	-	-	✓	✓	
SPRAYCAN	Aerosol Spray Can	✓	✓	✓	✓	✓	-	✓	✓	-	✓	✓	✓	-	
TUKIT	Touch Up Kit	✓	✓	✓	✓	✓	✓	✓	✓	✓	✓	✓	✓	✓	
YN-PAB	Plastic Assembly Blocks (100/pkg)	✓	✓	✓	✓	✓	✓	✓	✓	✓	✓	✓	✓	✓	
YN-SOFTCLOSE	Soft Close Hinge	✓	✓	✓	✓	✓	✓	✓	✓	✓	✓	✓	✓	✓	
YN-ERHinge-Set	Easy Reach Hinges (Set of 3)	✓	✓	✓	✓	✓	✓	✓	✓	✓	✓	✓	✓	✓	
YN-Softclose-CW	Softclose Corner Wall Hinge	✓	✓	✓	✓	✓	✓	✓	✓	✓	✓	✓	✓	✓	
YN-Drawer Slide-Kitchen	Drawer Slide-Kitchen Pair	✓	✓	✓	✓	✓	✓	✓	✓	✓	✓	✓	✓	✓	
YN-Drawer Slide-Vanity	Drawer Slide - Vanity Pair	✓	✓	✓	✓	✓	✓	✓	✓	✓	✓	✓	✓	✓	
YN-SHELF CLIP	Shelf Clip	✓	✓	✓	✓	✓	✓	✓	✓	✓	✓	✓	✓	✓	
Rev-A-Shelf - Corner Cabinet Accessories															
RV-3072-18-11-52	18" Value Line Full Circle Lazy Susan Set, Individual Pack	✓	✓	✓	✓	✓	✓	✓	✓	✓	✓	✓	✓	✓	
RV-3073-18-11-531	18" Value Line Full Circle Lazy Susan 3-Tray Set (for 33-41)	✓	✓	✓	✓	✓	✓	✓	✓	✓	✓	✓	✓	✓	
RV-3073-18-11-536	18" Value Line Full Circle Lazy Susan 3-Tray Set (for 38-46)	✓	✓	✓	✓	✓	✓	✓	✓	✓	✓	✓	✓	✓	
RV-3072-20-11-52	20" Value Line Full Circle Lazy Susan Set, Individual Pack	✓	✓	✓	✓	✓	✓	✓	✓	✓	✓	✓	✓	✓	
RV-3073-20-11-531	20" Value Line Full Circle Lazy Susan 3-Tray Set (for 33-41)	✓	✓	✓	✓	✓	✓	✓	✓	✓	✓	✓	✓	✓	
RV-3073-20-11-536	20" Value Line Full Circle Lazy Susan 3-Tray Set (for 38-46)	✓	✓	✓	✓	✓	✓	✓	✓	✓	✓	✓	✓	✓	
RV-LD-4BW-001-18SB-1	18" LD Banded Wood Full Circle Trays W/Steel Bearing (1/pkg)	✓	✓	✓	✓	✓	✓	✓	✓	✓	✓	✓	✓	✓	
RV-LD-4BW-001-20SB-1	20" LD Banded Wood Full Circle Trays W/Steel Bearing (1/pkg)	✓	✓	✓	✓	✓	✓	✓	✓	✓	✓	✓	✓	✓	
Rev-A-Shelf - Blind Base Accessories															
RV-4WLS882-32-570	32" Half Moon Wood Lazy Susan - 2 Shelf Set w/ Hardware	✓	✓	✓	✓	✓	✓	✓	✓	✓	✓	✓	✓	✓	
RV-4WLS882-35-570	35" Half Moon Wood Lazy Susan - 2 Shelf Set w/ Hardware	✓	✓	✓	✓	✓	✓	✓	✓	✓	✓	✓	✓	✓	
RV-4WLS882-38-570	38" Half Moon Wood Lazy Susan - 2 Shelf Set w/ Hardware	✓	✓	✓	✓	✓	✓	✓	✓	✓	✓	✓	✓	✓	
RV-5PSP-15-CR	Blind Corner Optimizer - Unhanded	✓	✓	✓	✓	✓	✓	✓	✓	✓	✓	✓	✓	✓	

Item Code	Item Description	Shaker Designer White	Shaker Espresso	Brooklyn Bright White	Brooklyn Modern Gray	Brooklyn Slate	Lenox Mocha	Lenox Canvas	Lenox Country Linen	Alex Brandwine	Taylor White	Taylor Espresso	Taylor Creme	Taylor Mocha
Premier											Select	Value		
Attachments and Inserts														
RV-432-BF-3C	3" Base Filler Pull-Out with Adjustable Shelves	✓	✓	✓	✓	✓	✓	✓	✓	✓	✓	✓	✓	✓
RV-432-BF-6C	6" Base Filler Pull-Out with Adjustable Shelves	✓	✓	✓	✓	✓	✓	✓	✓	✓	✓	✓	✓	✓
RV-432-BFSC-3C	3" Base Filler with Blumotion Soft-Close	✓	✓	✓	✓	✓	✓	✓	✓	✓	✓	✓	✓	✓
Rev-A-Shelf - Wall Filler Pullouts														
RV-432-WF-3C	3" Wall Filler Pull-Out with	✓	✓	✓	✓	✓	✓	✓	✓	✓	✓	✓	✓	✓
RV-432-WF36-3C	3" Wall Filler Pull-Out with	✓	✓	✓	✓	✓	✓	✓	✓	✓	✓	✓	✓	✓
RV-432-WF36-6C	6" Wall Filler Pull-Out with	✓	✓	✓	✓	✓	✓	✓	✓	✓	✓	✓	✓	✓
RV-432-WF42-3C	3" Wall Filler Pull-Out with	✓	✓	✓	✓	✓	✓	✓	✓	✓	✓	✓	✓	✓
RV-432-WF42-6C	6" Wall Filler Pull-Out with	✓	✓	✓	✓	✓	✓	✓	✓	✓	✓	✓	✓	✓
Rev-A-Shelf - Base Cabinet Pullouts														
RV-448-BCSC-5C	5" Base Organizer with Blum Soft-Close Slides	✓	✓	✓	✓	✓	✓	✓	✓	✓	✓	✓	✓	✓
Rev-A-Shelf - Drawer Peg Organizers														
RV-4DPS-2421	Small Drawer Peg System	✓	✓	✓	✓	✓	✓	✓	✓	✓	✓	✓	✓	✓
RV-4DPS-3021	Medium Drawer Peg System	✓	✓	✓	✓	✓	✓	✓	✓	✓	✓	✓	✓	✓
RV-4DPS-3921	Large Drawer Peg System	✓	✓	✓	✓	✓	✓	✓	✓	✓	✓	✓	✓	✓
Rev-A-Shelf - Sink Base Accessories														
RV-544-10C-1	Removable Under Sink Caddy with Chrome Basket	✓	✓	✓	✓	✓	✓	✓	✓	✓	✓	✓	✓	✓
RV-563-51-C	2 Prong Towel Bar	✓	✓	✓	✓	✓	✓	✓	✓	✓	✓	✓	✓	✓
RV-6572-11-11-52	11" Tip Out Trays - 2 Hinges	✓	✓	✓	✓	✓	✓	✓	✓	✓	✓	✓	✓	✓
RV-6572-14-11-52	14" Tip Out Trays - 2 Hinges	✓	✓	✓	✓	✓	✓	✓	✓	✓	✓	✓	✓	✓
RV-SBDT-2730-A-1	Undersink Drip Tray 27/30"	✓	✓	✓	✓	✓	✓	✓	✓	✓	✓	✓	✓	✓
RV-SBDT-3336-A-1	Undersink Drip Tray 36/33"	✓	✓	✓	✓	✓	✓	✓	✓	✓	✓	✓	✓	✓
RV-SBDT-3942-A-1	Undersink Drip Tray 39/42"	✓	✓	✓	✓	✓	✓	✓	✓	✓	✓	✓	✓	✓
Rev-A-Shelf - Tray Organizers														
RV-597-12CR-52	12" High Tray Dividers	✓	✓	✓	✓	✓	✓	✓	✓	✓	✓	✓	✓	✓
RV-597-18CR-52	18" High Tray Dividers	✓	✓	✓	✓	✓	✓	✓	✓	✓	✓	✓	✓	✓

Item Code	Item Description	Shaker Designer White	Shaker Espresso	Brooklyn Bright White	Brooklyn Modern Gray	Brooklyn Slate	Lenox Mocha	Lenox Canvas	Lenox Country Linen	Alex Brandwine	Taylor White	Taylor Espresso	Taylor Creme	Taylor Mocha	
Premier										Select	Value				
Rev-A-Shelf - Hampers															
RV-HPRV-1520 S	Hamper Bottom Mount Wire w/ Polymer Bin for Bathroom/Vanity	✓	✓	✓	✓	✓	✓	✓	✓	✓	✓	✓	✓	✓	
RV-CTOHB-16-I-1	Acc CTOHT Series Hamper Cloth Inserts for Closet - 16" Wide	✓	✓	✓	✓	✓	✓	✓	✓	✓	✓	✓	✓	✓	
RV-CTOHB-21-I-1	Acc CTOHT Series Hamper Cloth Inserts for Closet 21" Wide	✓	✓	✓	✓	✓	✓	✓	✓	✓	✓	✓	✓	✓	
Rev-A-Shelf - Trash Cans															
RV-35	35 QT Trash Can	✓	✓	✓	✓	✓	✓	✓	✓	✓	✓	✓	✓	✓	
RV-50	50 QT Trash Can	✓	✓	✓	✓	✓	✓	✓	✓	✓	✓	✓	✓	✓	
Samples & Sales Tools															
Sample Doors-Complete Set with 2 Bags	Sample Door Set - Includes 15"X15" Sample of Each Door	✓	✓	✓	✓	✓	✓	✓	✓	✓	✓	✓	✓	✓	
Sample B15 Door Front Set	Sample B15 Door Front Set - Includes All B15 Fronts	✓	✓	✓	✓	✓	✓	✓	✓	✓	✓	✓	✓	✓	



Contact our Customer Care Team to learn more about our products, order samples, or inquire about becoming a Kitchen Cabinet Distributors dealer.

Phone: 919-833-6532
Fax: 919-833-6539
customer care@kcdus.com
www.kcdus.com

Kitchen Cabinet Distributors
2114 Atlantic Avenue
Suite 106
Raleigh, NC 27604

Product Specification Guide

January 2018