



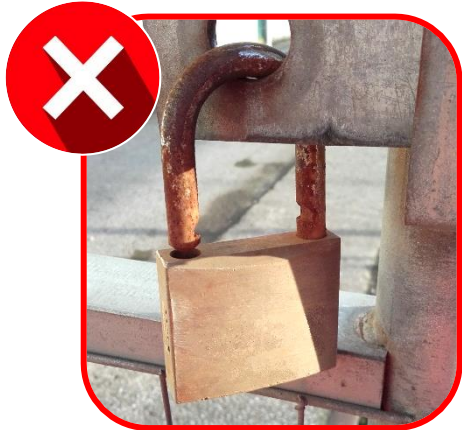
# Padlock Protector Pouch

**Does your padlock ever get jammed?**

Lengthen the life of your padlock by protecting it from continuous exposure to the elements. A very effective method of helping to prevent your padlock from freezing, rusting and corroding. Reduces the risk of damage caused by rain, snow, ice, dust, debris and the sun's UV rays.

**£99.00 per  
box of 10**

*(delivered – excl. VAT)*



**PROTECT  
YOUR  
PADLOCK  
FROM THE  
ELEMENTS**



**snow**



**ice**



**rain**

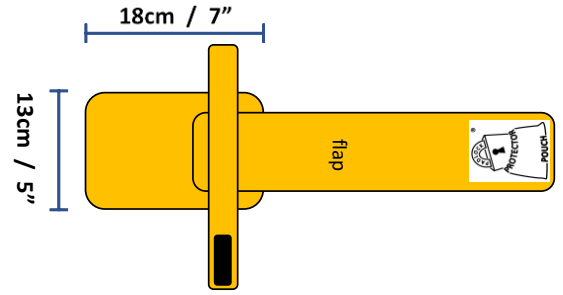


**sun**

- easy to use & fully adjustable
- waterproof / breathable fabric
- fits various types and sizes of padlock  
*(padlock is not supplied with pouch)*
- available in a selection of colours
- manufactured in the UK
- designed & registered by Rail Safety Reminders Ltd

Examples of the various types and sizes of padlocks that have been successfully used with a Padlock Protector Pouch.

Pouch dimensions:- approx width 13cm x height 18cm



**SHORT SHACKLE**  
**W32mm x L50mm x D15mm**

**SHORT SHACKLE**  
**W63mm x L95mm x D25mm**

**LONG SHACKLE**  
**W50mm x L125mm x D20mm**

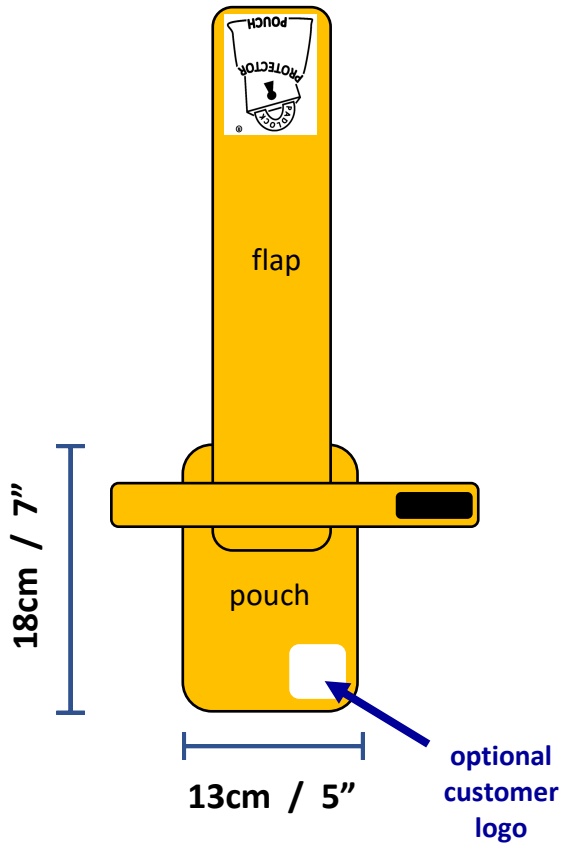
**BARREL**  
**W60mm x L105mm x D60mm**

**DISCUS / CIRCULAR**  
**W90mm x L90mm x D30mm**

**SHROUDED**  
**W70mm x L100mm x D20mm**

*Padlocks are shown for illustrative purposes only*

Please contact us if you require a Padlock Protector Pouch in a larger size.



----- Product Codes -----

BLACK	RPP01
GREEN	RPP02
ORANGE ( <i>high visibility</i> )	RPP03
RED	RPP04
SATURN YELLOW ( <i>high visibility</i> )	RPP05
WHITE	RPP06

£99.00 per box of 10 including delivery / excluding VAT

CUSTOMER LOGO (*black & white*) £0.75 per label *excl. VAT*

Please note: PADLOCK PROTECTOR POUCHES are made to order and prices do not include padlocks. **Prices applicable from 1<sup>st</sup> December 2020**



Manufactured by Yansport Safetywear Ltd, an established UK company renowned for their high-quality workmanship. Designed & Registered by Rail Safety Reminders Ltd. Yansport Safetywear Ltd can accept payment via Credit Card or BACS to HSBC.

**To place an order please contact:**



**07501248199**

email: [info@railsafetyreminders.com](mailto:info@railsafetyreminders.com)

## How to fit a **PADLOCK PROTECTOR POUCH** to a padlock attached to a latch on a *door*



**1**

Pass the padlock shackle through the white elasticated loop.  
Lock the padlock through the eye of the padlock latch on the door.



**2**

Slide the pouch up to cover the top of the padlock and the eye of the padlock latch on the door. Fully tighten the elasticated cord by sliding the toggle.



**3**

Pull the flap over the top to completely cover the top of the padlock and the eye of the padlock latch on the door.



**4**

Secure the two straps tightly around the front of the flap and pouch.



**5**

Pull the bottom of the flap downwards until it fits snugly over the top of the padlock and the eye of the padlock latch on the door.

A tutorial can be viewed on YouTube:- <https://youtu.be/pDU72JhTvB0>

## How to fit a **PADLOCK PROTECTOR POUCH** to a padlock attached to a metal *gate*



**1**

Pass the padlock shackle through the white elasticated loop.  
Lock the padlock through the eye of the padlock latch on the gate.



**2**

Slide the pouch up to cover the top of the padlock and the eye of the padlock latch on the gate. Fully tighten the elasticated cord by sliding the toggle.



**3**

Pull the flap over the top to completely cover the top of the padlock and the eye of the padlock latch on the gate.



**4**

Secure the two straps tightly around the front of the flap and pouch.



**5**

Pull the bottom of the flap downwards until it fits snugly over the top of the padlock and the eye of the padlock latch on the gate.

**Please note:** using lubricants on your padlock may cause the Padlock Protector Pouch to deteriorate.

A new padlock will not require any lubricating products when it is protected inside a Padlock Protector Pouch. If your current padlock is contaminated with dirt, water or lubricants or if it is in a poor condition, we strongly recommend that you install a new padlock to ensure trouble free operation.



# ORDER FORM

Please email this form to:  
[info@railsafetyreminders.com](mailto:info@railsafetyreminders.com)  
Tel: 07501248199

DATE: / /	CUSTOMER PURCHASE ORDER NUMBER:
-----------	---------------------------------

ORDER AUTHORISATION <i>on behalf of the Customer</i>		
NAME	SIGNATURE	TELEPHONE

<b>INVOICING ADDRESS</b> Customer/Company Name:  Address:   Telephone:  Email:
--

<b>DELIVERY ADDRESS</b> Customer/Company Name:  Address:   Telephone:  Email:
---

PADLOCK PROTECTOR POUCH COLOUR	PRODUCT CODE	NUMBER OF BOXES
BLACK	RPP01	
GREEN	RPP02	
ORANGE ( <i>high visibility</i> )	RPP03	
RED	RPP04	
SATURN YELLOW ( <i>high visibility</i> )	RPP05	
WHITE	RPP06	

<b>£99.00 per box of 10</b> <b>including delivery / excluding VAT</b> <i>Prices are for pouches only and do not include padlocks</i> <b>Prices applicable from 1<sup>st</sup> December 2020</b>	Total number of boxes	
	Total cost of boxes	£ + VAT

CUSTOMER LOGO - *an optional black & white label on the pouch*      **£0.75 per label excluding VAT**

Total number of logo labels	
Total cost of logo labels	£ + VAT

*Payment invoice will be despatched with product delivery*



Manufactured by Yansport Safetywear Ltd, an established UK company renowned for their high-quality workmanship.  
Designed & Registered by Rail Safety Reminders Ltd. Yansport Safetywear Ltd can accept payment via **Credit Card** or **BACS to HSBC**.