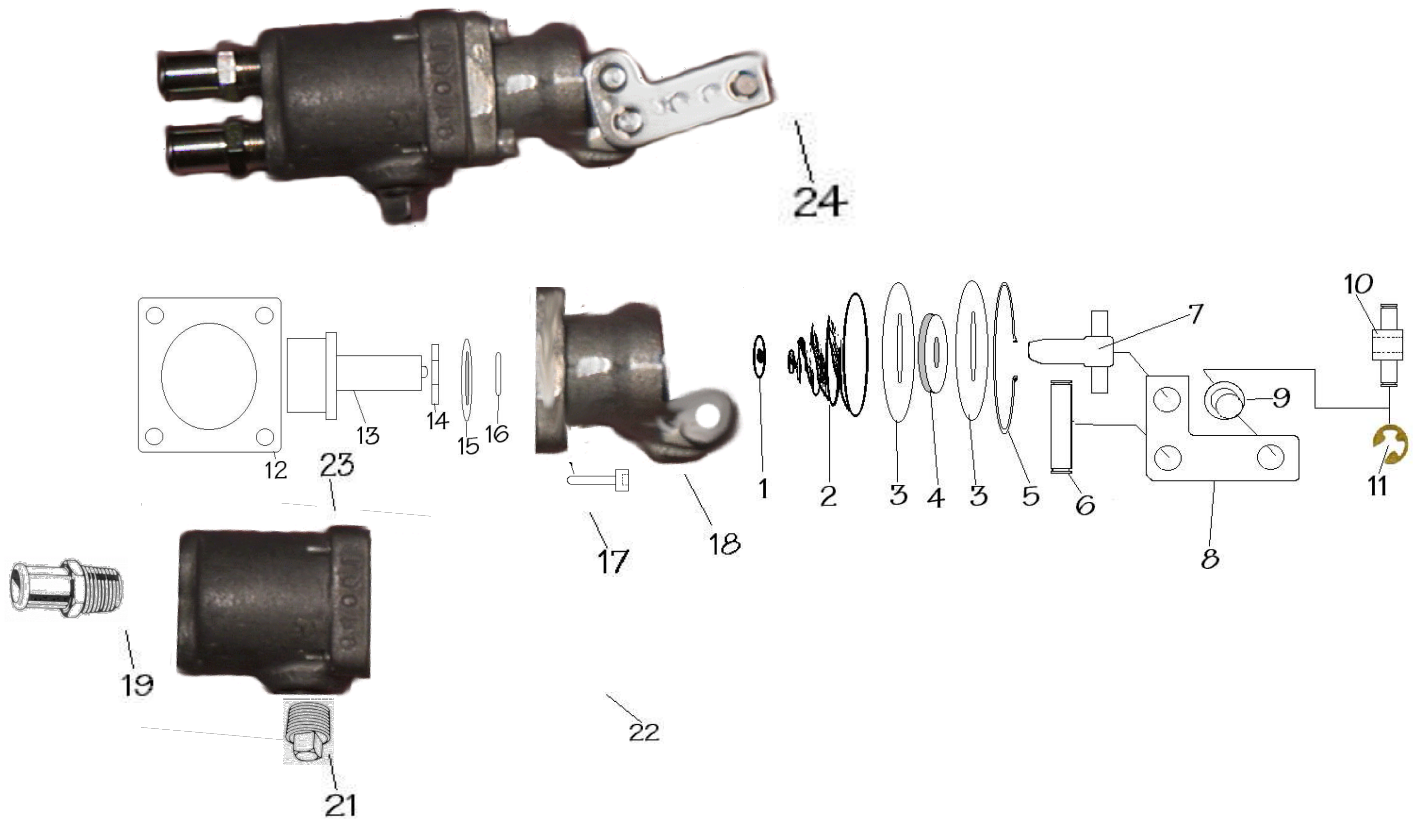


640N,640R,694N,694A WATER/AIR CONTROL BREAK DOWN



| | | | | | |
|----|--|-----------|----|---|--------------------------------------|
| 1 | LOWER SPRING SEAT | S29485 | 14 | POWER ELEMENT NUT | S68775 |
| 2 | SPRING | S29450 | 15 | WASHER | S68750 |
| 3 | UPPER SPRING SEAT (2) | S29495 | 16 | O-RING | 304-012 |
| 4 | FELT WASHER | S29465 | 17 | 1/4" X 20 BOLT(4) | 5006-309 |
| 5 | LARGE SNAP RING | S68350 | 18 | 69401 FRONT HOUSING WITH ARM | S68700 |
| 6 | PIN | S28200 | 19 | FITTING WATER LINE STRAIGHT(2) 5/8 HOSE OR (OPTIONAL FITTING) FITTING WATER LINE STRAIGHT(2) 1/2 HOSE | 325-10C 125-8C (OPTIONAL FITTING) |
| 7 | PIN AND PLUNGER | S28500 | 21 | PIPE PLUG 3/8NPT | 109C |
| 8 | L-LEVER KIT With Item # 9 Bushings | S31600 | 22 | FIBRE WASHER (2) | 162-261 |
| 10 | T-BLOCK STEEL | S23201 | 23 | 69402 REAR HOUSING | S68500 |
| 11 | E-RING (6) | S00490 | | CON ROD 5/16"(NOT SHOWN) | S21212 |
| 12 | GASKET (2) | S68490 | | CON BLOCK 5/16"(NOT SHOWN) | S22122 |
| 13 | POWER ELEMENT KIT HD 145°-165°F | S70233 | 24 | NEW 694 WATER ASSY SPECIFY TEMP | 694N- (TEMP) |
| 13 | POWER ELEMENT KIT HD 160°-180°F | S70239 | 24 | REMAN 640 CONTROL SPECIFY TEMP | 640R- (TEMP) |
| 13 | POWER ELEMENT KIT HD 175°-195°F | S70235 | 24 | NEW AIR ASSY | 694AA-77 |
| 13 | POWER ELEMENT KIT HD 180°-200°F | S70238 | | Minor Repair Kit (1,2,3,4,5,11,12,15,16,17,22) | S31350 |
| 13 | POWER ELEMENT KIT HD 185°-200°F | S70237 | | Major Repair Kit (Minor kit plus 6,7,8,10,14, | S31300 |
| 13 | ADD RK SUFFIX TO ABOVE POWER ELEMENT KITS (12,13,15,16,17) +Instructions | S7023X-RK | 13 | POWER ELEMENT AIR 77°-95°F | call |