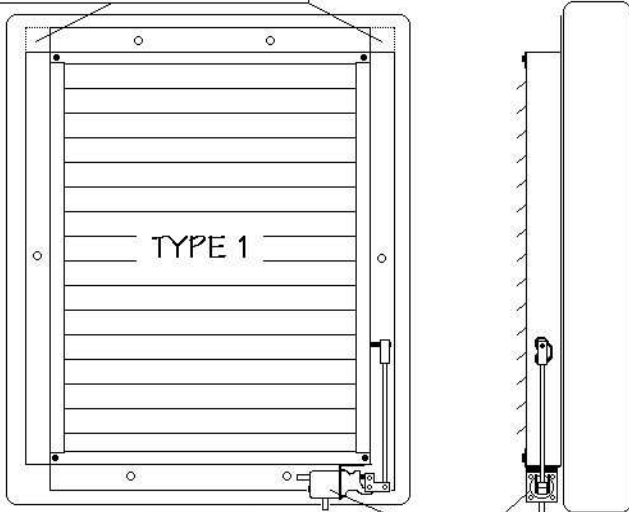


TYPE 1 AND 1F SHUTTERS ARE THE MOST COMMON STYLE. THERE ARE USED IN MOST APPLICATIONS

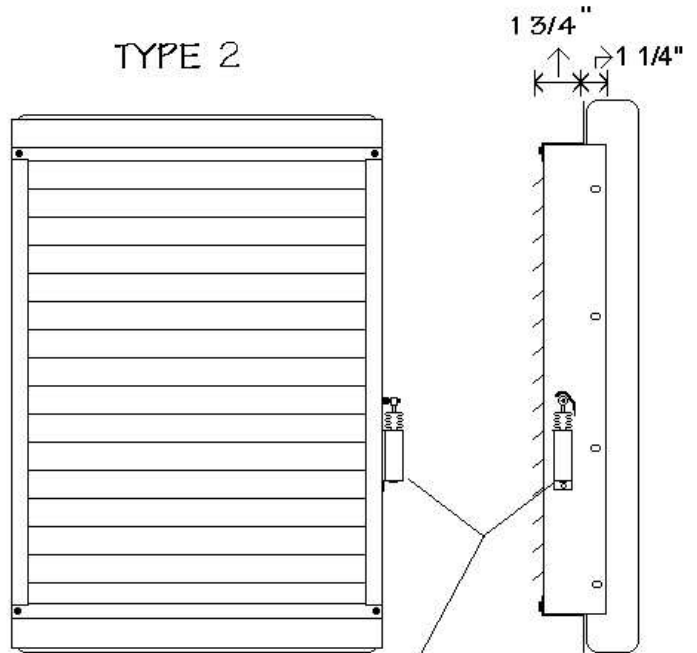
TYPE 1F IS THE SAME BUT HAS 4 FILLED IN CORNERS



CONTROL SHOWN :
SINGLE ACTING WATER ACTUATOR
(WATER CONTROL)
NORMALLY CLOSED BOTTOM MOUNT ONLY

TYPE 2 SHUTTERS ARE DESIGNED TO BOLT ONTO THE SIDE.

TYPE 2

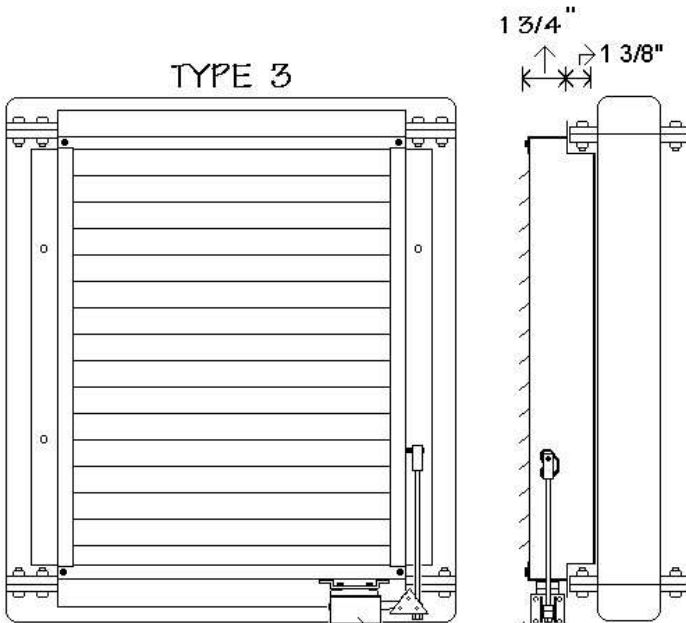


CONTROL SHOWN :
SINGLE ACTING AIR ONLY SIDE MOUNT CYLINDER

SHUTTER TYPES

THE DIFFERENT CONTROLS SHOWN HERE ARE AVAILABLE ON MOST SHUTTER TYPES

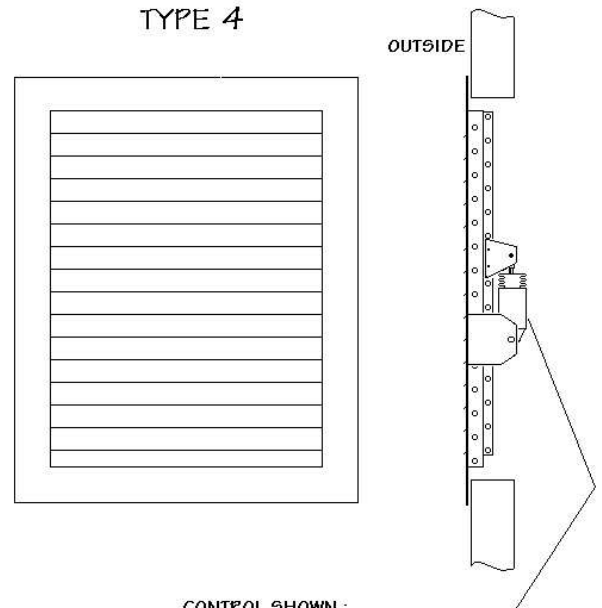
TYPE 3 SHUTTERS ARE USED ON RADIATORS THAT HAVE A LIP WHERE THE CORE AND TANK MEET.



CONTROL SHOWN :
SINGLE ACTING BOTTOM MOUNT AIR OR HYD.

TYPE 4 SHUTTERS ARE USED ON BUILDINGS, TRAILERS OR ANYWHERE YOU NEED A SHUTTER FLUSH FITTING FROM THE OUTSIDE.

TYPE 4



CONTROL SHOWN :
REAR MOUNT SINGLE ACTING AIR OR HYD.

AVAILABLE BOX HEIGHTS FOR TYPE 1, 1F, 2, 3 AND 5

(FOR TYPE 4 SEE PG 8)

2" VANE	# OF VANES	2" VANE	# OF VANES
4"	1	58 1/4"	29
5 15/16"	2	60 3/16"	30
7 7/8"	3	62 1/8"	31
9 13/16"	4	64 1/16"	32
11 3/4"	5	66"	33
13 11/16"	6	67 15/16"	34
15 5/8"	7	69 7/8"	35
17 9/16"	8	71 13/16"	36
19 1/2"	9	73 3/4"	37
21 7/16"	10	75 11/16"	38
23 3/8"	11	77 5/8"	39
25 5/16"	12	79 9/16"	40
27 1/4"	13	81 1/2"	41
29 3/16"	14	83 7/16"	42
31 1/8"	15	85 3/8"	43
33 1/16"	16	87 5/16"	44
35"	17	89 1/4"	45
36 15/16"	18	91 3/16"	46
38 7/8"	19		
40 13/16"	20		
42 3/4"	21		
44 11/16"	22		
46 5/8"	23		
48 9/16"	24		
50 1/2"	25		
52 7/16"	26		
54 3/8"	27		
56 5/16"	28		

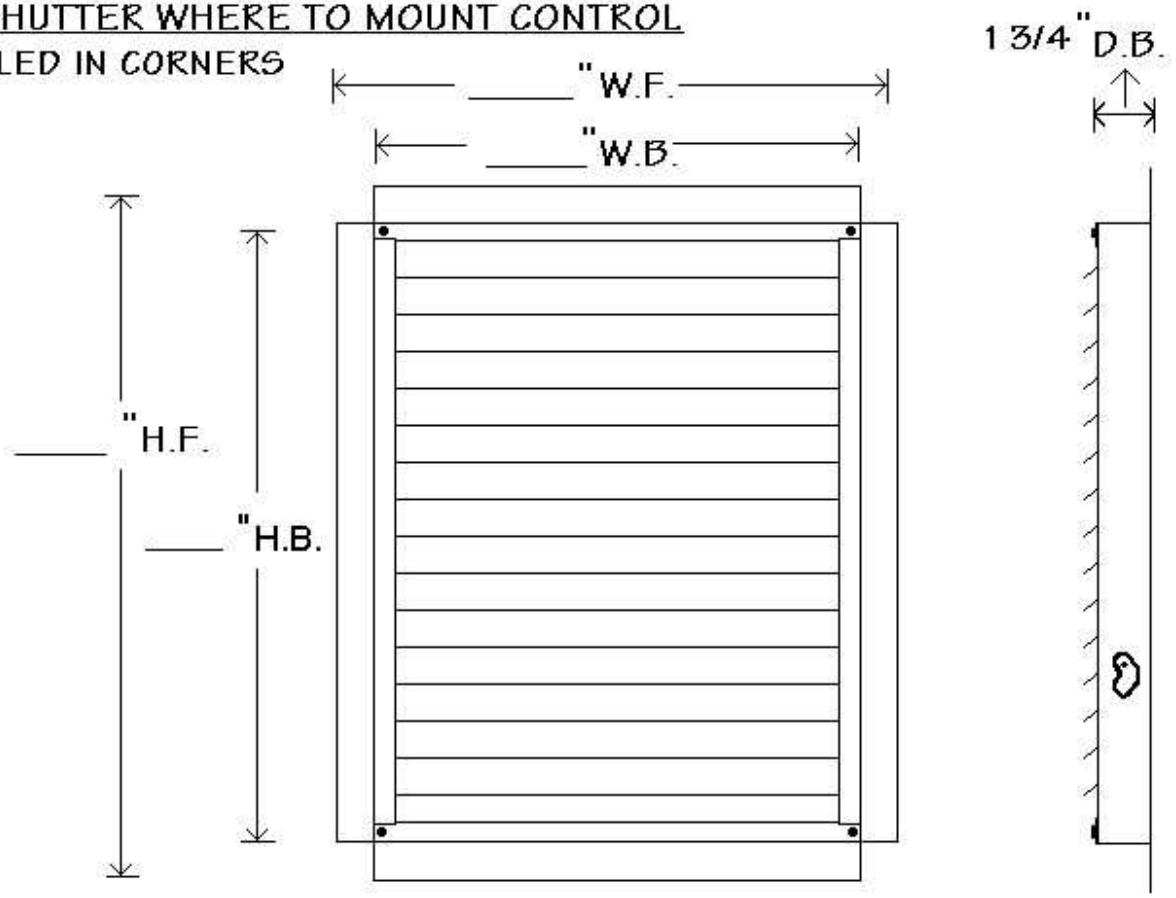
CUSTOMER _____
 ADDRESS _____
 PHONE _____
 UNIT OR RIG # _____
 UNIT DESCRIPTION _____
 DATE REQUIRED _____

DATE _____
 CONTACT _____
 FAX _____
 P.O. _____
 W/O _____ R/O _____
 QTY _____

TYPE 1
 SHUTTER
 REF #

TOP

*MARK ON SHUTTER WHERE TO MOUNT CONTROL
 *WITHOUT FILLED IN CORNERS



- STANDARD VANE 2"
- MOUNTING HOLES NOT DRILLED
- CENTER BAR (OVER 31" W.B.)
- H.D. CENTER BAR (OVER 44" H.B.)
- PAINTED BLACK -DO NOT PAINT -OTHER

D.B. - DEPTH OF BOX
 H.B. - HEIGHT OF BOX
 H.F. - HEIGHT OF FLANGE
 W.B. - WIDTH OF BOX
 W.F. - WIDTH OF FLANGE

TDG SHUTTERS
 6926-34 Street NW
 PH: (780) 504-0104
 tdgshutters@gmail.com
 www.thedrivelineguy.ca

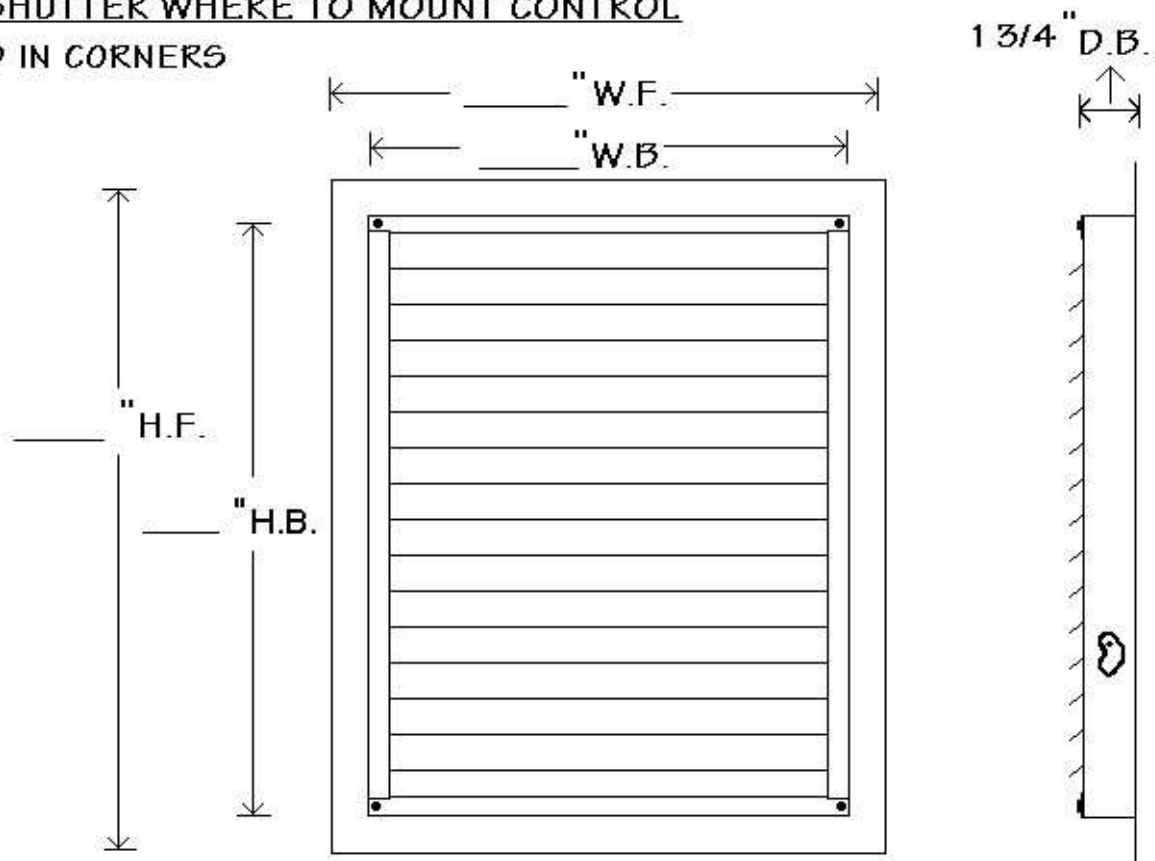
CUSTOMER _____
 ADDRESS _____
 PHONE _____
 UNIT OR RIG # _____
 UNIT DESCRIPTION _____
 DATE REQUIRED _____

DATE _____
 CONTACT _____
 FAX _____
 P.O. _____
 W/O _____ R/O _____
 QTY _____

TYPE 1F
 SHUTTER
 REF #

TOP

*MARK ON SHUTTER WHERE TO MOUNT CONTROL
 *WITH FILLED IN CORNERS



- STANDARD VANE 2"
- MOUNTING HOLES NOT DRILLED
- CENTER BAR (OVER 31" W.B.)
- H.D. CENTER BAR (OVER 44" H.B.)
- PAINTED BLACK -DO NOT PAINT -OTHER

D.B. - DEPTH OF BOX
 H.B. - HEIGHT OF BOX
 H.F. - HEIGHT OF FLANGE
 W.B. - WIDTH OF BOX
 W.F. - WIDTH OF FLANGE

TDG SHUTTERS
 6926-34 Street NW
 PH: (780) 504-0104
 tdgshutters@gmail.com
 www.thedrivelineguy.ca

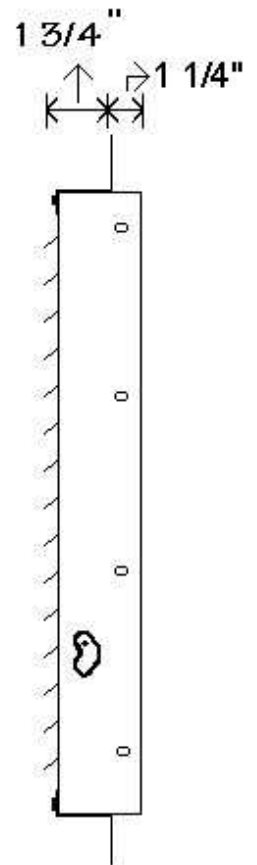
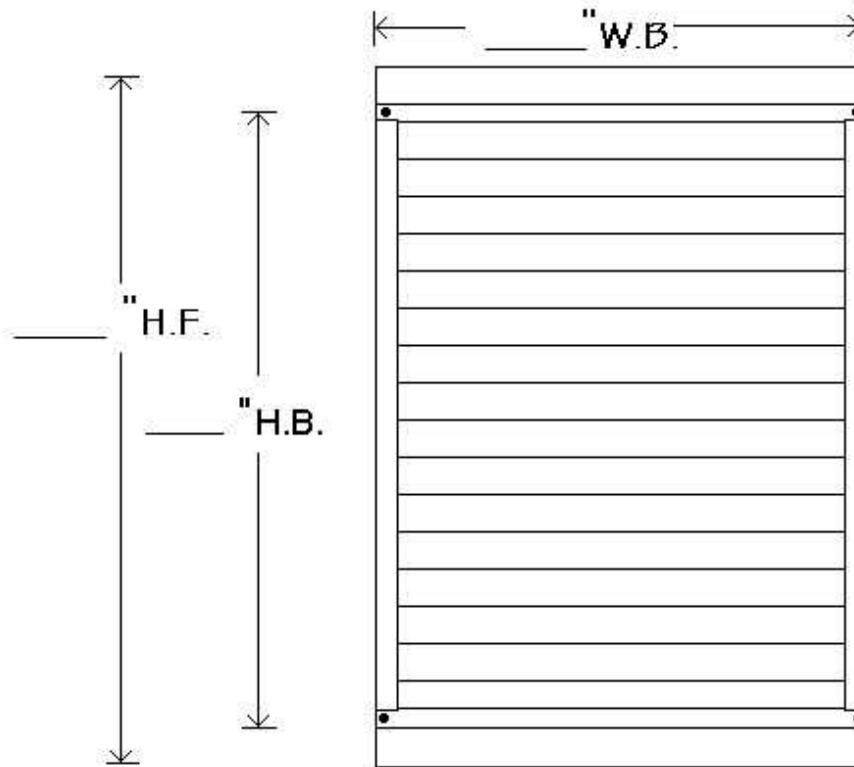
CUSTOMER _____
 ADDRESS _____
 PHONE _____
 UNIT OR RIG # _____
 UNIT DESCRIPTION _____
 DATE REQUIRED _____

DATE _____
 CONTACT _____
 FAX _____
 P.O. _____
 W/O _____ R/O _____
 QTY _____

TYPE 2
 SHUTTER
 REF #

TOP

*MARK ON SHUTTER WHERE TO MOUNT CONTROL
 *SIDE MOUNT



- STANDARD VANE 2"
- MOUNTING HOLES NOT DRILLED
- CENTER BAR (OVER 31" W.B.)
- H.D. CENTER BAR (OVER 44" H.B.)
- PAINTED BLACK -DO NOT PAINT -OTHER

H.B. - HEIGHT OF BOX
 H.F. - HEIGHT OF FLANGE
 W.B. - WIDTH OF BOX
 W.F. - WIDTH OF FLANGE

TDG SHUTTERS
 6926-34 Street NW
 PH: (780) 504-0104
 tdgshutters@gmail.com
 www.thedrivelineguy.ca

CUSTOMER _____
 ADDRESS _____
 PHONE _____
 UNIT OR RIG # _____
 UNIT DESCRIPTION _____
 DATE REQUIRED _____

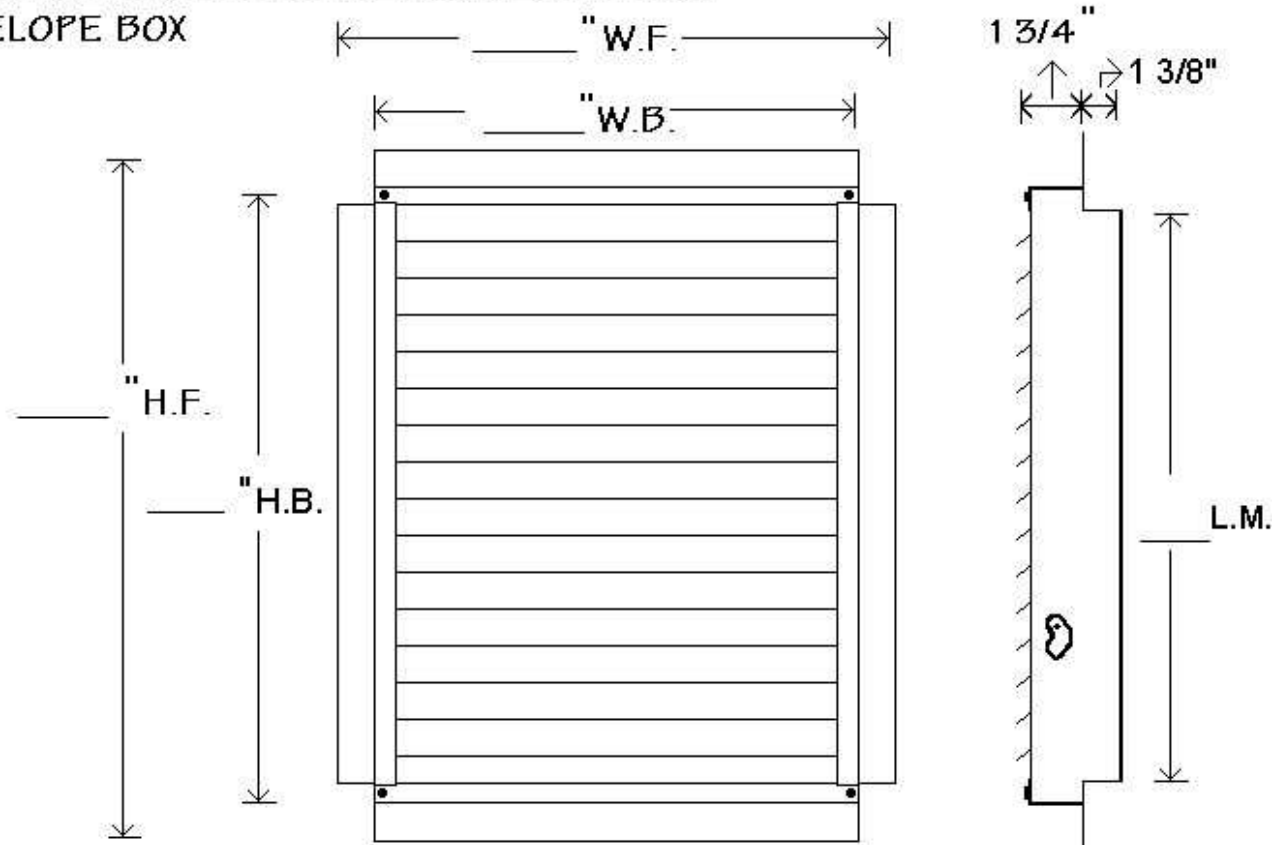
DATE _____
 CONTACT _____
 FAX _____
 P.O. _____
 W/O _____ R/O _____
 QTY _____

TYPE 3
 SHUTTER
 REF #

TOP

*MARK ON SHUTTER WHERE TO MOUNT CONTROL

*WITH ENVELOPE BOX



- STANDARD VANE 2"
- MOUNTING HOLES NOT DRILLED
- H.D. CENTER BAR
- PAINTED BLACK -DO NOT PAINT -OTHER

D.B. - DEPTH OF BOX
 H.B. - HEIGHT OF BOX
 H.F. - HEIGHT OF FLANGE
 W.B. - WIDTH OF BOX
 W.F. - WIDTH OF FLANGE
 L.M. - LENGTH OF MOUNTING FLANGE

TDG SHUTTERS
 6926-34 Street NW
 PH: (780) 504-0104
 tdgshutters@gmail.com
 www.thedrivelineguy.ca

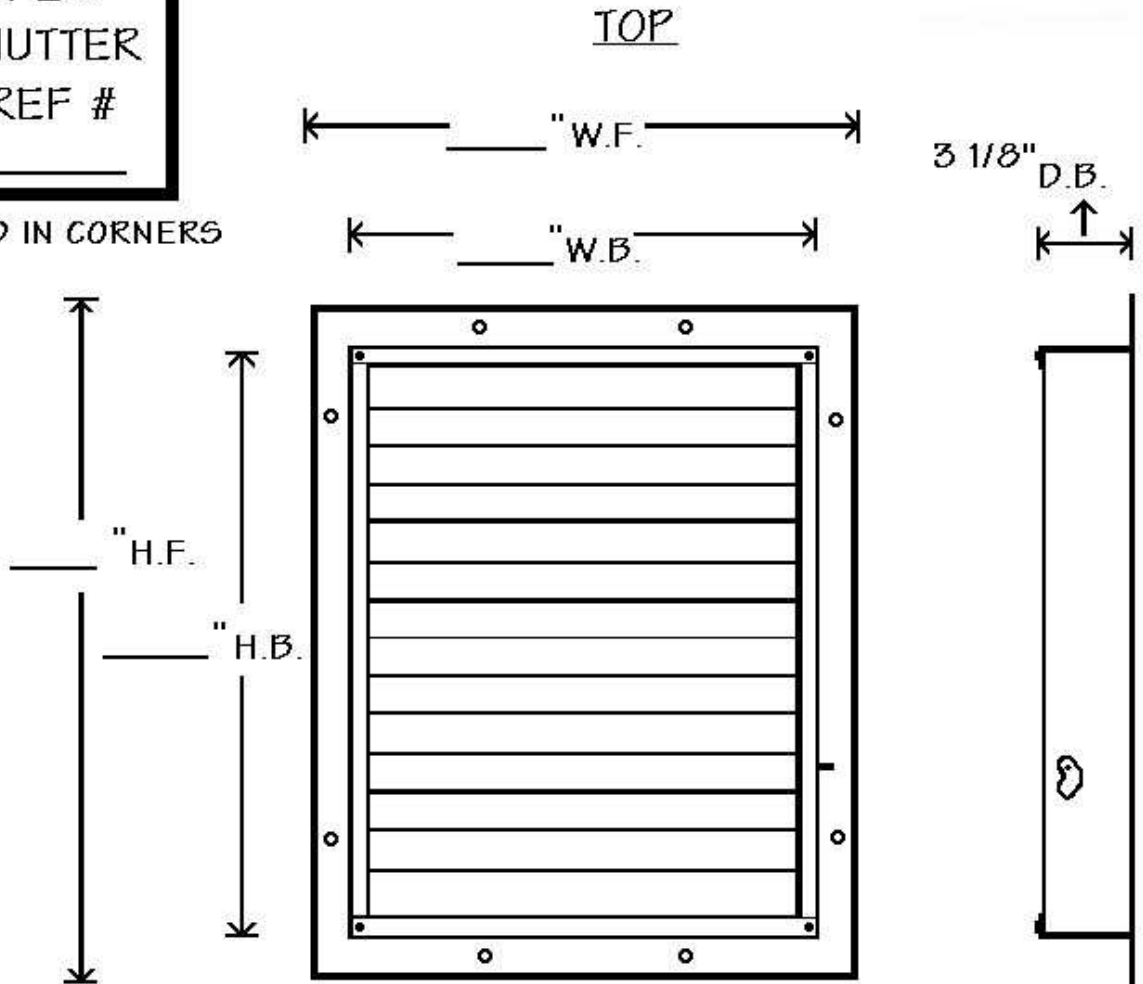
CUSTOMER _____
 ADDRESS _____
 PHONE _____
 UNIT OR RIG # _____
 UNIT DESCRIPTION _____
 DATE REQUIRED _____

DATE _____
 CONTACT _____
 FAX _____
 P.O. _____
 W/O _____ R/O _____
 QTY _____

*MARK ON SHUTTER WHERE TO MOUNT CONTROL

TYPE 5
SHUTTER
REF #

*WITH FILLED IN CORNERS
TALL BOX



- STANDARD VANE 2"
- MOUNTING HOLES NOT DRILLED
- CENTER BAR (OVER 31" W.B.)
- H.D. CENTER BAR (OVER 44" H.B.)
- PAINTED BLACK -DO NOT PAINT -OTHER

D.B. - DEPTH OF BOX
 H.B. - HEIGHT OF BOX
 H.F. - HEIGHT OF FLANGE
 W.B. - WIDTH OF BOX
 W.F. - WIDTH OF FLANGE

TDG SHUTTERS
 6926-34 Street NW
 PH: (780) 504-0104
 tdgshutters@gmail.com
 www.thedrivelineguy.ca

(STANDARD VANE 1.9375")
MINIMUM HEIGHT OPENING SIZES IN
TYPE 4 FLUSH MOUNT SHUTTER.

WITHOUT CENTER BAR				WITH CENTER BAR			
NO OF VANES	MIN OPENING SIZE	NO OF VANES	MIN OPENING SIZE	NO OF VANES	MIN OPENING SIZE	NO OF VANES	MIN OPENING SIZE
1	2-3/8"	26	50-13/16"	1	3-5/8"	26	52-1/16"
2	4-5/16"	27	52-3/4"	2	5-9/16"	27	54"
3	6-1/4"	28	54-11/16"	3	7-1/2"	28	55-15/16"
4	8-3/16"	29	56-5/8"	4	9-7/16"	29	57-7/8"
5	10-1/8"	30	58-9/16"	5	11-3/8"	30	59-13/16"
6	12-1/16"	31	60-1/2"	6	13-5/16"	31	61-3/4"
7	14"	32	62-7/16"	7	15-1/4"	32	63-11/16"
8	15-15/16"	33	64-3/8"	8	17-3/16"	33	65-5/8"
9	17-7/8"	34	66-5/16"	9	19-1/8"	34	67-9/16"
10	19-13/16"	35	68-1/4"	10	21-1/16"	35	69-1/2"
11	21-3/4"	36	70-3/16"	11	23"	36	71-7/16"
12	23-11/16"	37	72-1/8"	12	24-15/16"	37	73-3/8"
13	25-5/8"	38	74-1/16"	13	26-7/8"	38	75-5/16"
14	27-9/16"	39	76"	14	28-13/16"	39	77-1/4"
15	29-1/2"	40	77-15/16"	15	30-3/4"	40	79-3/16"
16	31-7/16"	41	79-7/8"	16	32-11/16"	41	81-1/8"
17	33-3/8"	42	81-13/16"	17	34-5/8"	42	83-1/16"
18	35-5/16"	43	83-3/4"	18	36-9/16"	43	85"
19	37-1/4"	44	85-11/16"	19	38-1/2"	44	86-15/16"
20	39-3/16"	45	87-5/8"	20	40-7/16"	45	88-7/8"
21	41-1/8"	46	89-9/16"	21	42-3/8"	46	90-13/16"
22	43-1/16"	47	91-1/2"	22	44-5/16"	47	92-3/4"
23	45"	48	93-7/16"	23	46-1/4"	48	94-11/16"
24	46-15/16"	49	95-3/8"	24	48-3/16"	49	96-5/8"
25	48-7/8"			25	50-1/8"		

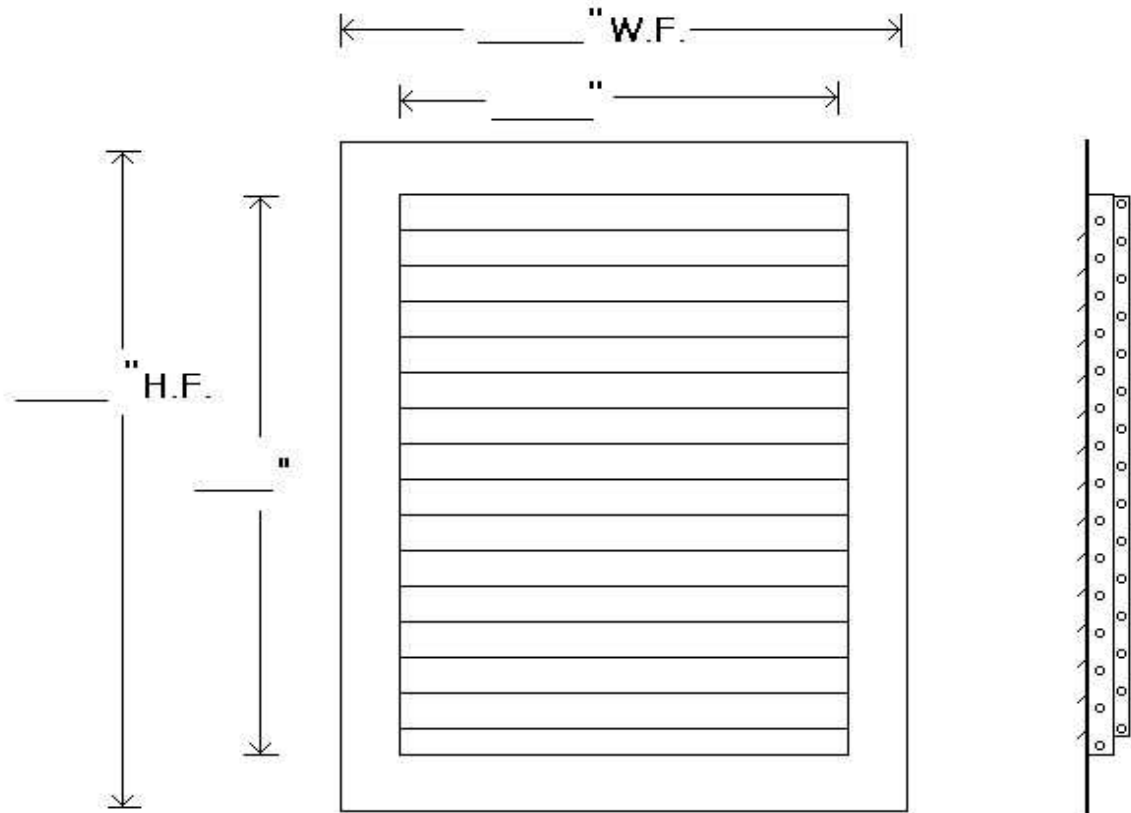
CUSTOMER _____
 ADDRESS _____
 PHONE _____
 UNIT OR RIG # _____
 UNIT DESCRIPTION _____
 DATE REQUIRED _____

DATE _____
 CONTACT _____
 FAX _____
 P.O. _____
 W/O _____ R/O _____
 QTY _____

TYPE 4
 SHUTTER
 REF #

TOP

MARK ON SHUTTER WHERE TO MOUNT CONTROL



- STANDARD VANE 2"
- MOUNTING HOLES NOT DRILLED
- CENTER BAR (OVER 31" W.B.)
- H.D. CENTER BAR (OVER 44" H.B.)
- PAINTED BLACK -DO NOT PAINT -OTHER

H.F. - HEIGHT OF FLANGE
 W.F. - WIDTH OF FLANGE

TDG SHUTTERS
 6926-34 Street NW
 PH: (780) 504-0104
 tdgshutters@gmail.com
 www.thedrivelineguy.ca