



SIO™

SL4026AO

# 40" LED SMART TV USER MANUAL

Please read this manual carefully before installing and operating the TV.  
Keep this manual handy for further reference



## Table of Contents





<b>Safety warning</b> .....	1
<b>Important Safety Instructions</b> .....	2
<b>Preparation for Your New TV</b> .....	3
Check Accessories .....	3
Stand Installation Guide .....	3
<b>Wall mount specification</b> .....	4
<b>TV Jacks Explanation</b> .....	5
<b>External Device Connection Diagram</b> .....	6
<b>Keypad and Front Panel</b> .....	7
Keypad Buttons.....	7
Front Panel .....	7
<b>Remote Control Instructions</b> .....	8
Inserting Batteries in the Remote .....	8
Remote Control Reception Angle .....	8
<b>Learning about Remote Control</b> .....	9
Remote Control Buttons .....	9
<b>Basic Operations</b> .....	10
Turning On and Off .....	10
Select input source .....	10
Adjust the OSD Screen .....	10
<b>OSD Menu Operations</b> .....	11
Menu Setting .....	11
Smart TV Operation.....	12
Media Operation .....	12
GaiaShare.....	13
<b>Troubleshooting</b> .....	14
Identifying Problems .....	14
<b>Specification</b> .....	15

---

*\* The pictures, functions and other information provided in the manual are for reference only. If it does not match the actual object, please refer to the actual product.*

---

## Safety warning

<div style="display: flex; justify-content: space-between; align-items: center;"> <div style="text-align: center;">  </div> <div style="text-align: center; border: 1px solid black; padding: 5px;"> <p><b>CAUTION</b></p> <p><b>RISK OF ELECTRIC SHOCK</b></p> <p><b>DO NOT OPEN</b></p> </div> <div style="text-align: center;">  </div> </div> <p style="font-size: small; margin-top: 5px;">Caution: To reduce the risk of electric shock, do not remove cover or back. No user-serviceable parts inside. Refer servicing to qualified service personnel.</p>	
<div style="border: 1px solid black; border-radius: 10px; padding: 10px; background-color: #f0f0f0;">  <p style="font-size: x-small; margin-top: 5px;">The lightning flash with arrowhead symbol, within an equilateral triangle is intended to alert the user to the presence of uninsulated dangerous voltage within the product enclosure that may be of sufficient magnitude to constitute a risk of electric shock.</p> </div>	<div style="border: 1px solid black; border-radius: 10px; padding: 10px; background-color: #f0f0f0;">  <p style="font-size: x-small; margin-top: 5px;">The exclamation point within an equilateral triangle is intended to alert the user to the presence of important operating and maintenance (servicing) instructions in the literature accompanying the TV.</p> </div>

**WARNING: TO REDUCE THE RISK OF FIRE OR ELECTRIC SHOCK, DO NOT EXPOSE THIS APPLIANCE TO RAIN OR MOISTURE.**

**CAUTION: CHANGES OR MODIFICATIONS NOT EXPRESSLY APPROVED BY THE PARTY RESPONSIBLE FOR COMPLIANCE WITH THE FCC RULES COULD AVOID THE USERS AUTHORITY TO OPERATE THIS EQUIPMENT.**

## Warning

Before operating the unit, please read through this manual.

### PLACEMENT

- Do not place the unit on an unstable cart, stand, tripod, bracket, table, or shelf.
- Do not expose the unit to direct sunlight and other sources of heat.
- Do not handle liquids near or on the unit.
- Never spill liquid of any kind into the unit
- Do not put the unit near appliances that create magnetic fields.
- Do not put heavy objects on top of the unit.

### TEMPERATURE

- Do not place the unit near or over a radiator or a heater register.
- If your unit is suddenly moved from a cold to a warm place, unplug the power cord for at least two hours so that moisture that may have formed inside the unit can dry completely.

### HUMIDITY

- Do not expose machine in rain, damp or place near water.
- Ensure the indoor drying, cool.

### VENTILATION

- Keep the ventilation openings clear.

### **WARNING**(Only applicable to models over 7kg)

Never place a television set in an unstable location. A television set may fall, causing serious personal injury or death. Many injuries, particularly to children, can be avoided by taking simple precautions such as:

- Using cabinets or stands recommended by the manufacturer of the television set.
  - Only using furniture that can safely support the television set.
  - Ensuring the television set is not overhanging the edge of the supporting furniture.
  - Not placing the television set on tall furniture (for example, cupboards or bookcases) without anchoring both the furniture and the television set to a suitable support.
  - Not placing the television set on cloth or other materials that may be located between the television set and supporting furniture.
  - Educating children about the dangers of climbing on furniture to reach the television set or its controls.
- If your existing television set is being retained and relocated, the same considerations as above should be applied.

## Important Safety Instructions

1. Read these instructions.
2. Keep these instructions.
3. Heed all warnings.
4. Follow all instructions.
5. Do not use this apparatus near water. For example, do not use near a laundry tub, in a wet basement, or near a swimming pool, and the like.
6. Clean only with dry cloth.
7. Do not block any ventilation openings. Install in accordance with the manufacturer's instructions. Slots and openings in the cabinet back or bottom are provided for ventilation, to ensure reliable operation of the TV and to protect it from overheating. These openings must not be blocked or covered. The openings should never be blocked by placing the TV on a bed, sofa, rug, or other similar surface.
8. Do not install near any heat sources such as radiators, heat registers, stoves, or other apparatus (including amplifiers) that produce heat.
9. Do not defeat the safety purpose of the polarized or grounding-type plug. A polarized plug has two blades with one wider than the other. A grounding-type plug has two blades and a third grounding prong. The wide blade or the third prong is provided for your safety. If the provided plug does not fit into your outlet, consult an electrician for replacement of the obsolete outlet.
10. Protect the power cord from being walked on or pinched particularly at plugs, convenience receptacles, and the point where they exit from the apparatus.
11. Only use attachments/accessories specified by the manufacturer.
12. Use only with cart, stand, tripod, bracket, or table specified by the manufacturer, or sold with the apparatus. When a cart is used, use caution when moving the cart/apparatus combination to avoid injury from tip-over. A TV and cart combination should be moved with care. Quick stops, excessive force, and uneven surfaces may cause the TV and cart combination to overturn.
13. Unplug this apparatus during lightning storms or when unused for long periods of time. For added protection for this TV receiver during a lightning storm, or when it is left unused for long periods of time, unplug it from the wall outlet and disconnect antenna or cable system. This will prevent damage to the TV due to lightning and power line surges.
14. Refer all servicing to qualified service personnel. Servicing is required when the apparatus has been damaged in any way, such as power-supply cord or plug is damaged, liquid has been spilled or objects have fallen into the apparatus, the apparatus has been exposed to rain or moisture, does not operate normally, or has been dropped.
15. This TV should be operated only from the type of power supply indicated on the rating label. If customer is not sure the type of power supply in your home, consult your appliance dealer or local power company. For TV remote control battery power, refer to the operating instructions.
16. The TV set shall not be exposed to dripping or splashing. No objects filled with liquids, such as vases, shall be placed on the TV set.
17. Never push objects of any kind into this TV through openings as they may touch dangerous voltage or other electrical parts that could result in fire or electric shock. Never spill liquid of any kind into the TV.
18. Unplug the TV from the wall outlet before cleaning. Do not use liquid or aero cleaners. Use a damp cloth for cleaning.
19. This TV should never be placed near or over a radiator or heat resource. This TV should not be placed in a built-in installation such as a bookcase or rack unless proper ventilation is provided or the manufacturer's instructions have been adhered to.
20. Do not place this TV on an unstable cart, stand, tripod, bracket, or table. The TV may fall, causing serious injury to someone, and serious damage to the appliance.
21. Do not attempt to service this TV by yourself because opening or removing covers may expose you to dangerous high voltage or other hazards. Refer all servicing to qualified service personnel.
22. Please do the static electricity prevention and panel protect measures before overhaul, avert damage the panel and main board sensitive element, ex. IC etc.
23. **WARNING:** To prevent injury, this apparatus must be securely attached to the floor/wall in accordance with the installation instructions.



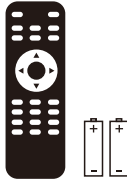
## Preparation for Your New TV

### Check Accessories

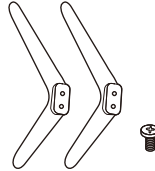
Check the accessories that are packed with your TV.



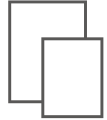
LED TV



Remote Control & Batteries



TV Stand Base  
+  
4 x Screws



User's manual  
+  
Warranty Card

### Stand Installation Guide

The TV is packaged with the TV stand separated from the cabinet. To setup the TV table stand, please carry out the installation according to the instructions below.

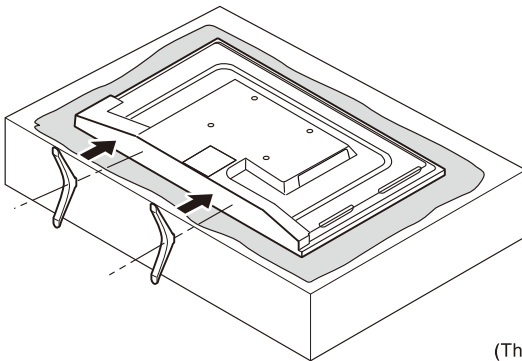
1. The panel can be scratched easily, so please:

Place a soft cloth on the table and place the TV face down on the cloth.

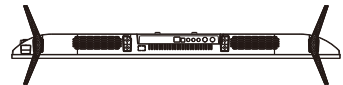
Note: Always unplug the AC cord first when installing/removing the stand.

2. Take the base. Please align the screw holes of the base and the TV, and then insert the screws into the holes on the base and tighten them.

Note: To ensure that the TV is stable, please lock all screws.



Please take note of the base direction:



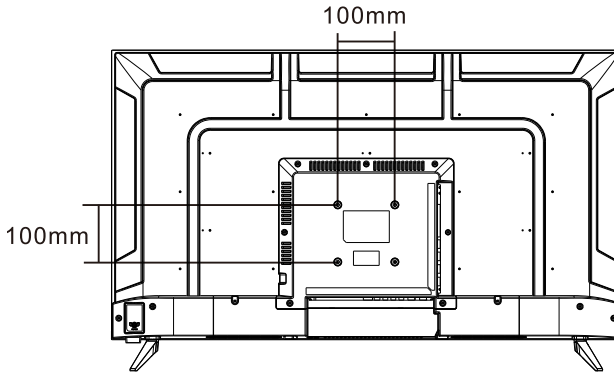
The bottom view of the TV  
(Front cabinet faces down)

(The illustration is for reference only, Please prevail in kind)

## Wall Mounting(if available)

Unit Dimension (unit:mm)	Screws
VESA 100 x 100	M4x6mm, 4pcs

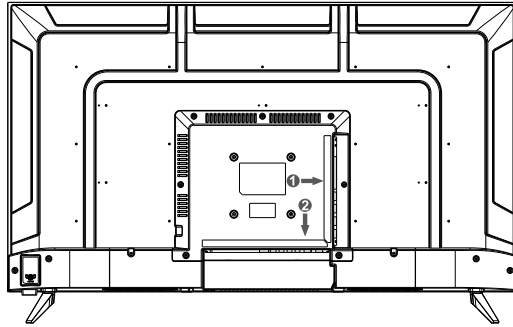
**Note:** The length of the screw specified is only a recommendation; actual length required can vary depending on the type of wall mount used.



### Warnings:

1. Do not set up the wall mount by yourself. Please contact qualified professionals for installation.
2. The TV should not be mounted on walls or surfaces which have an angle more than 10 degrees with vertical direction. Otherwise the TV set may fall.
3. The walls for mounting must have enough strength to hold the whole weight of TV set. For example, concrete wall and brickwork are eligible. Do not place the mount on soft walls such as earth walls and plasterboard.
4. If spare parts of different specifications (such as screws) are used during mounting, consult with qualified professionals to make sure these parts are safe and effective.
5. Before attaching the base to wall, ensure the holes for anchors are in keeping with the installing rules. Otherwise there may exist some potential problems.
6. Do not place any heating source under your television. Or else, it can cause fire.
7. Do not place the TV near anything dripping. Transducers and high voltage wires should be kept far away from the apparatus too. Or else, it may cause creepage, electric shock or bad resonance.
8. Do not place TV in a location where collision or vibration is liable to happen.
9. In order to avoid unexpected falling of the TV set, do not put any strong force on TV or wall mount after installing.
10. Be sure to unplug the TV before installing. Keep anything hard or sharp away from the screen panel to prevent the scuffing.
11. After installing, if there is any need to move the cabinet, please contact the qualified professionals.

## TV Jacks Explanation



①

HDMI1/ARC    HDMI2    HDMI3    USB1    USB2    OPTICAL

②

Earphone    RJ45    CVBS    L    R    RF

**HDMI:** (High-Definition Multimedia Interface) Provides an uncompressed digital connection.

**USB:** Connect the USB device such as the flash disk to access the TV media function.

**OPTICAL:** Digital TV sound output.

**EARPHONE:** Connect a 3.5mm headset for personal audio.

**RJ45:** Connect the Internet.

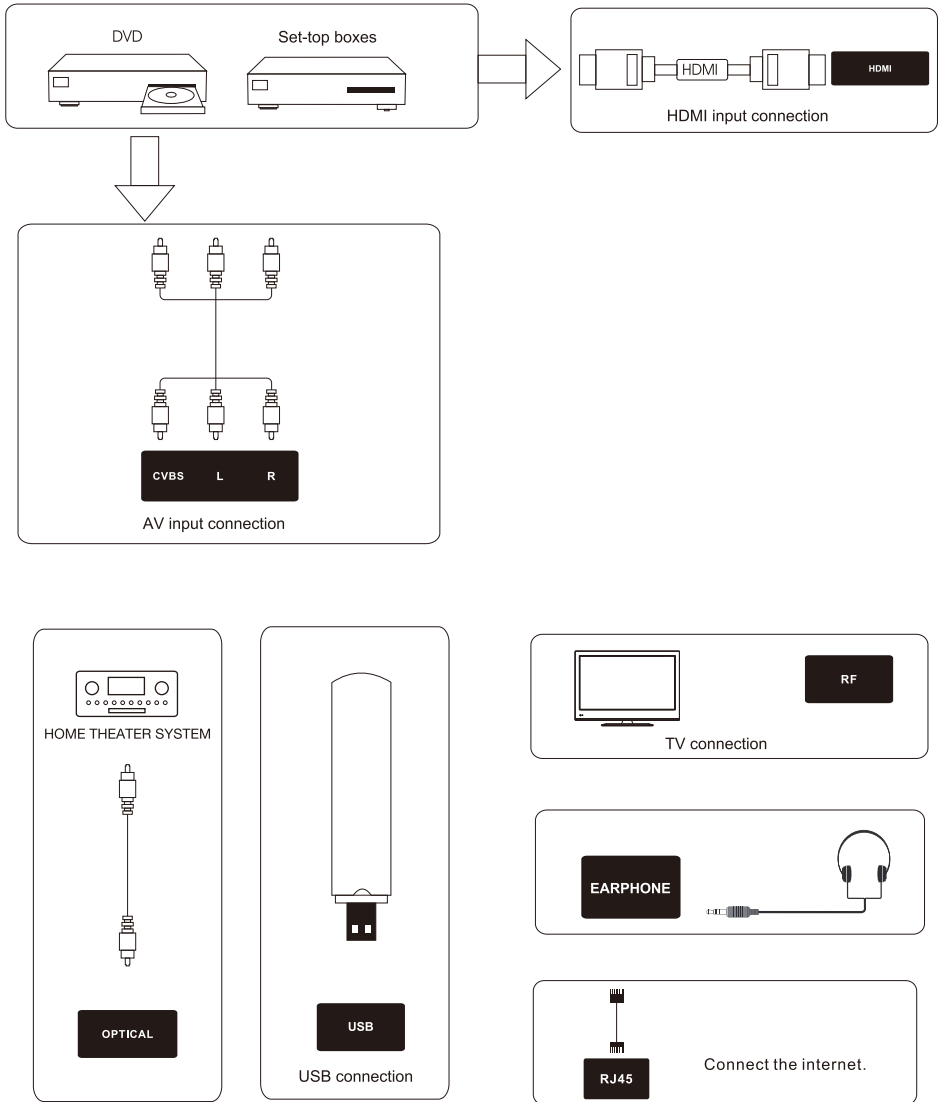
**CVBS:** Connect an AV device that has composite video jacks, such as a VCR or DVD Player.

**L:** Left audio channel connection. The left audio connector is usually white.

**R:** Right audio channel connection. The right audio connector is usually red.

**RF:** Connect to receive the signal from your antenna or cable through a coaxial cable.

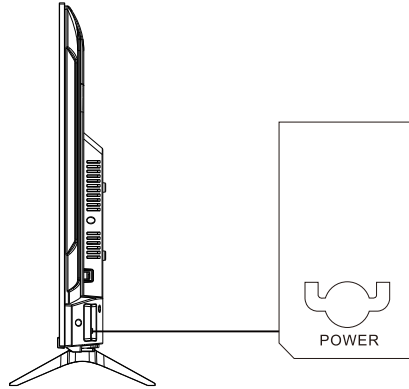
# External Device Connection Diagram



## Keypad and Front Panel

### Keypad Buttons

If you cannot locate your remote, you can use the side keypad buttons on your TV to operate many TV features.



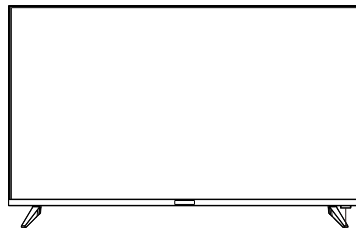
\*The OSD menu image is subject to the actual display.

- POWER(⏻)** :
1. When the TV is on, press this button once to open the menu bar.
  2. Press the button again to move the cursor from left to right, step by step. You can adjust it as needed.
  3. Press and hold the button to select the desired option. The screen will pop up with the relevant menu. short press to select  $\wedge/\vee$  or  $+/ -$  icon, then long press to select options in the pop-up menu.
  4. After selecting the menu you want to adjust, you need to move the cursor to the source (☒) icon and long press button to enter the menu.
  5. Press and hold button to exit setting.
  6. Repeat 2-5 for other options.
  7. Please note: The setting menu will automatically turn off if there is no operation within 10 seconds.

### Front Panel

**Power/Standby Indicator:** White and indicator off. It shows White when the TV is standby and indicator off when turned on.

**Remote Control Sensor:** Remote control IR sensor, which receives infrared ray sent by remote control.



Power/Standby Indicator  
Remote Control Sensor

**NOTE:** If there is a protective film around the screen, remove the protective film before using the TV.

## Remote Control Instructions

### Inserting Batteries in the Remote

1. Remove the battery compartment cover from the back of the remote control by lifting the cover.
2. Insert 2AAA batteries ,making sure the polarities(+and-) are aligned correctly.
3. Replace the cover.

**If the remote control does not work, check these points:**

- Are the polarities (+, -) correct?
- Are the batteries worn out?
- Is there an AC power failure?
- Is the power cord plugged in?
- Is there any interference or block near the remote control sensor?

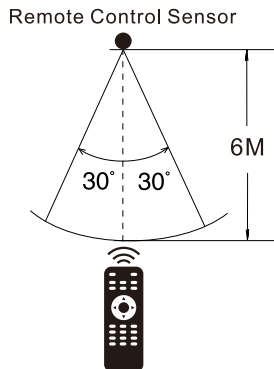
**CAUTION:**

- Used batteries should be recycled.
- Keep out of children's reach.
- DO NOT use new and old batteries together.
- Change both the batteries at the same time.
- When not using the remote control for a long time, remove the batteries from the unit.

**Warning:** All batteries (packed or in use) must not be exposed to high temperature like sun heat or fire.

### Remote Control Reception Angle

Use your remote control within the distance and angle range shown below.



## Learning about Remote Control



### Remote Control Buttons

POWER(⏻): Turns the TV on or off.

MUTE(🔇): Reduces the TV volume to its minimum level. Press again to restore the volume.

NUMBER BUTTONS: Press 0-9 select a TV channel directly when you are watching TV.

"-/-": To switch the channel digit.

Recall(↶): Returns to the previous channel.

SLEEP: Selects the sleep timer, after which the TV will shut off automatically.

AUDIO: Switch the audio channel in DVD or multimedia mode.

FAV: Show favorite channel list.

HOME: Press to open Android home page.

MOUSE: Switches to the mouse mode.

N: Press this key to access the netflix site.

Y: Press this key to access the YouTube site..

INPUT: To select input source menu.

INFO: To display the current program information on the screen.

Arrows(⬅️/➡️/⬆️/⬇️): Uses the four arrows to highlight different items in the TV menu or change the value.

OK: Enter and confirm button.

MENU: Accesses the Main Menu, or return to the upper level of a sub-menu.

EXIT: Exits the current menu or function.

VOL+ or VOL-: Increases or decreases the TV volume.

ASPECT: Switches between the preset screen size mode.

P.MODE: Switches between the preset picture mode.

S.MODE: Switches between the preset sound mode.

CH^ or CHv: Scans up or down through the current channel list

RED/GREEN/YELLOW/BLUE: Use add-on functions in OSD menu.

⏹: Stop the media files.

⏮: play or pause media files.

⏪ ⏩: Fast review and fast forward.

⏮ ⏭: Select the previous or the next media file.

CC/SUB-T: Selects the closed caption.

Press to select sub-title of media video file.

EPG: Shows Electronic Program Guide.

PRSTSC: Print Screen.

### NOTE:

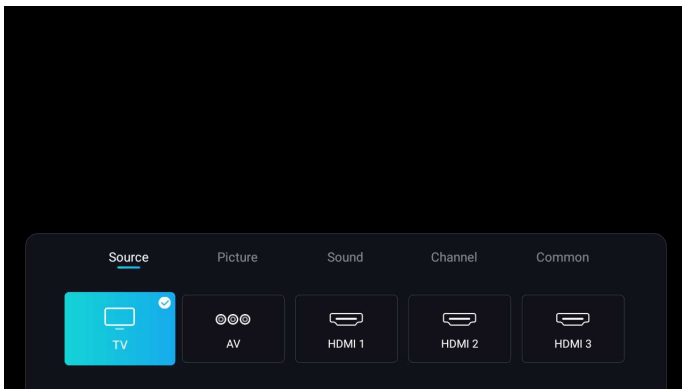
- ◆ All pictures in this manual are examples, only for reference, actual product may differ from the pictures.
- ◆ The buttons not mentioned here are not used.

## Basic Operations

### Turning On and Off

Connect the AC cord to power the TV. At this time the TV will enter standby mode and power indicator will turn white. Use Power button(⏻) on the side panel of TV or on the remote control to turn on the TV. After switching off the TV for 5 seconds, you can turn on TV again.

### Select input source



Press **INPUT** button to display the input source list;  
Press ◀/▶ button to select the input source you want to watch;  
Press **OK** button to enter the input source;

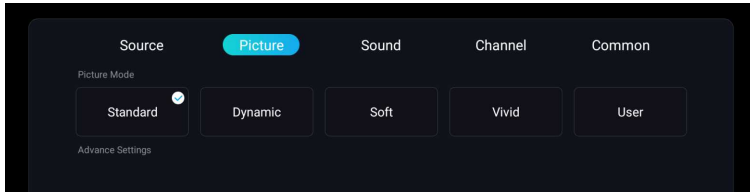
### Adjust the OSD Screen

- Press **MENU** button to display the MAIN OSD MENU;
- Press ◀/▶ button to select the MENU you want, Then press the ▲/▼ ◀/▶ button to select the relevant sub-menu.
- Press **OK** button to enter the sub menu, and press **MENU** button to return back to the previous menu.
- Press ◀/▶ to adjust the value or select the menu, and then press OK to confirm the selected menu option.

You can press **MENU** button to save and return back to the previous menu, and press **EXIT** button to exit the entire menu.

## OSD Menu Operations

### Menu Setting



Press **MENU** button to display the MAIN OSD MENU:

**Source:** Select the Source to display the input source list.

**Picture:** Used for TV picture effect adjusting.

For example: Picture mode, Color Temperature and so on.

**Sound:** Used for TV sound effect adjusting.

For example: Sound Mode, Balance and so on.

**Channel:** Used for channel searching and edit, it's only available in TV input.

You can choose the antenna type, scan and other options.

**Common:** Used for TV additional options.

For example: Blue Screen, Lock and so on.

If the locking system is turned on, enter the password you set when you entered the TV system when you first turned it on. For easy memorization, it is recommended that you set a password that is simple and easy to remember.

*For more settings, please refer to the menu settings.*

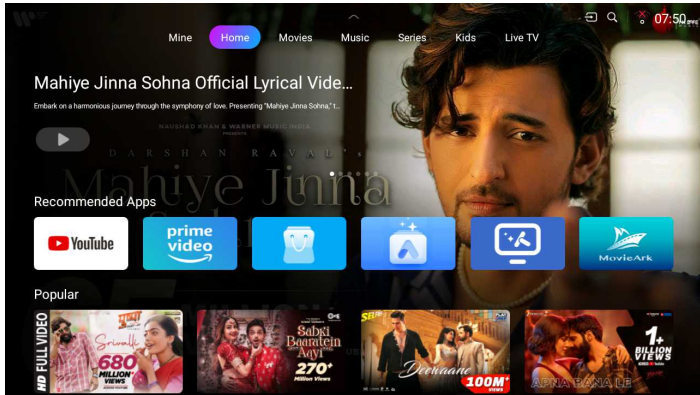
## OSD Menu Operations

### Smart TV Operation

Press **HOME** button on the remote control to enter the Main Launcher.

Press the arrow buttons **▲/▼/◀/▶** to select the icon and press **“OK”** button to enter the sub-menu.

In smart TV mode, you can install / uninstall the application, browse the web, system settings and other operations .

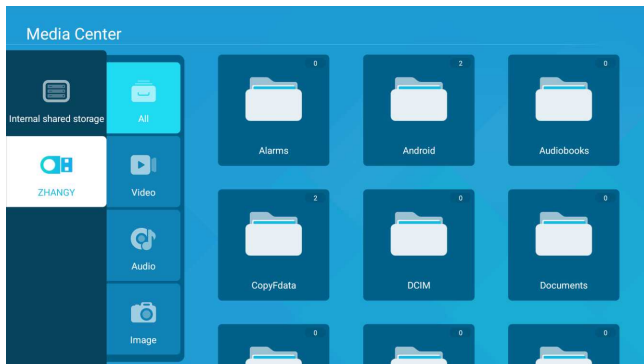


### Media Operation

Note: Before operation MEDIA menu, Plug in USB device or memory card.

Press the **▲/▼/◀/▶** buttons on the remote control, select the "Mine" option In the Main Launcher,

then select the "Media" icon and press the OK button to enter the media management page.Click the corresponding drive letter to view the contents of the file in the USB, and select the file to view or play.

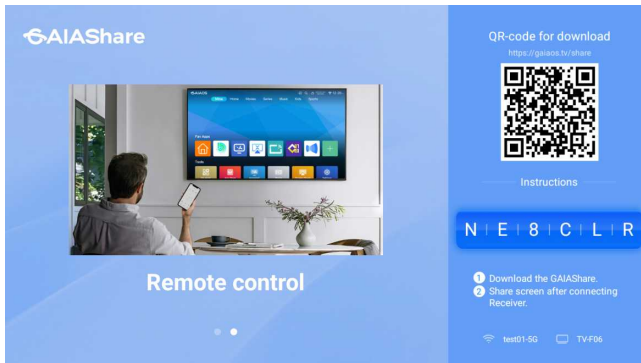


1. Press **◀/▶** button to select the option that you want to adjust in the Media menu, then press **OK** button to enter.
2. Press **◀/▶** button to adjust or press **▲/▼** button to select.
3. After finishing your adjustment, press **EXIT** button to exit the entire menu.

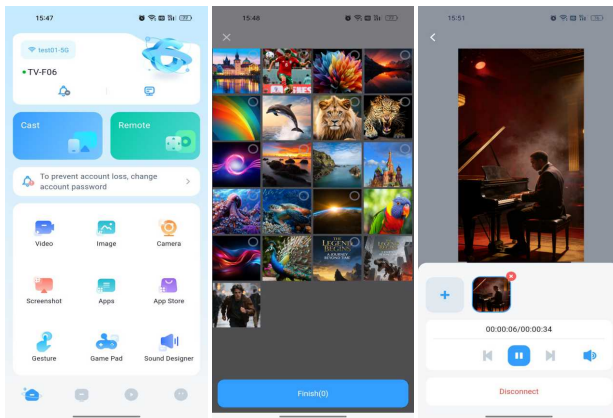
# OSD Menu Operations

## GaiaShare

1. Install and open the GaiaShare application on your television, then establish a connection with your smartphone.
2. Install the GaiaShare app on your smartphone as well. You can download the app by scanning the QR code displayed on your TV screen or by searching for it in your phone's app store. Once installed, open the app and connect it to your TV.  
Before connecting, make sure your smartphone, tablet, and TV are all on the same Wi-Fi network.
3. Select the device which is the same as the one listed on the TV screen then you can connect the Smartphone or tablet to your TV.



At the GaiaShare app on your smartphone, you can choose to cast videos, audio, or photos to your TV, turning it into a display terminal. You can even use your smartphone to remotely control the television.



## Troubleshooting

### Identifying Problems

If there are any problems when using the product, please consult the list below. If the list does not solve the problem, call our Customer Service Center immediately.

#### TV Problems

The TV can't be turned on.

- Make sure the AC cord is plugged in.
- Check the wall outlet, make sure the AC output works normally and stably.
- Select the Key Lock function in the OPTION Menu and press OK to uncheck the locking status.

#### No picture or sound but the TV is on and there is a "No Signal" sign on screen.

- Are you trying to use an input source with no device connected to it? For using other video/audio device, make sure the external device works normally first, then press Source and choose the right input source.
- The signal type option may be set incorrectly.
- The channel may be blank. Try to search the channel again or change another channel.

#### The sound is fine, but the picture is poor.

- If you can only get black and white pictures from external device that you've connected to your TV, maybe it is due to the video cables is not connected well, or they are connected wrongly. Check the connection stability first, then check the correctness.
- For AV input, the yellow video cable connects to the yellow Video In jack on the side of your TV. For Component input, the three Y, Pb, Pr video cables (red, blue, and green) should be connect to the corresponding input jacks on the side of your TV.
- Check the antenna connections. Make sure all of the cables are firmly connected to the TV jack on side of your TV.
- Try adjusting the color features to improve.

#### There is no sound, but the picture is fine.

- The sound might be muted. Try pressing the MUTE button to restore sound.
- For using AV or Component, remember to connect the device's left and right audio output correctly. The left channel cable is white and the right channel cable is red. Please match the cables and jacks according to their colors.
- The sound settings may not be set correctly.
- If your audio source has only one jack or is a (mono) audio source, make sure you have plugged the connection into the Audio In L jack (white) on the TV.

#### The buttons on the side panel don't work.

- Unplug the TV from the AC power for 10 minutes and then plug it back. Turn the TV on and try again.

#### The TV turns off unexpectedly.

- The electronic protection circuit may have been activated because of a power surge. Wait 30 seconds and then turn the TV on again. If this happens frequently, the voltage in your house may be abnormal. If the other electronic equipment in your home can't work normally, consult a qualified service personnel.

#### The Remote control doesn't work.

- Something might be blocking between the remote control and the remote sensor on the front panel of the TV. Make sure there is a clear path.
- The remote may not be aimed directly at the TV.
- The batteries in the remote may be weak, dead, or installed incorrectly. Put new batteries in the remote.

## SPECIFICATIONS

### Product Specifications

◆ Resolution:	1920x1080
◆ Power supply:	AC 100-240V~50/60Hz
◆ Rated power consumption:	75W
◆ Video:	avi , MPEG ,MPEG-4
◆ Music:	mp3
◆ Photo:	jpg , jpeg , bmp , png



SIO™

SL4026AO

# 40" Televisor inteligente LED MANUAL DE USUARIO

Por favor, lea este manual cuidadosamente antes de instalar y operar el televisor.  
Mantenga este manual a mano para futuras consultas.

## Tabla de Contenidos



<b>Advertencia de seguridad</b> .....	<b>1</b>
<b>Precauciones de Seguridad</b> .....	<b>2</b>
<b>Preparación para Su Nuevo Televisor</b> .....	<b>3</b>
Verifique los Accesorios .....	3
Guía de Instalación del Soporte .....	3
<b>Montaje en la Pared (si está disponible)</b> .....	<b>4</b>
<b>Explicación de las Tomas del TV</b> .....	<b>5</b>
<b>Diagrama de Conexión del Dispositivo Externo</b> .....	<b>6</b>
<b>Teclado y Panel Frontal</b> .....	<b>7</b>
Botones del panel lateral.....	7
Panel Frontal .....	7
<b>Instrucciones del Mando a Distancia</b> .....	<b>8</b>
Insertar Baterías en el Mando a Distancia .....	8
Ángulo de Recepción del Mando a Distancia .....	8
<b>Conociendo el Mando a Distancia</b> .....	<b>9</b>
Botones del Mando a Distancia .....	9
<b>Operaciones Básicas</b> .....	<b>10</b>
Encenderlo y Apagarlo .....	10
Seleccionar la Fuente de Entrada.....	10
Ajustar la Pantalla OSD .....	10
<b>Operaciones del Menú OSD</b> .....	<b>11</b>
Ajuste del menú .....	11
Operación Smart TV.....	12
Operación de medios.....	12
GaiaShare de TV.....	13
<b>Solución de Problemas</b> .....	<b>14</b>
Identificación de Problemas.....	14
<b>Especificaciones</b> .....	<b>15</b>

---

*\* Las imágenes, funciones y otra información proporcionada en el manual son solo para referencia. Si no coincide con el objeto real, consulte el producto real.*

---

## Advertencia de seguridad

	<b>PRECAUCIÓN</b> <b>RIESGO DE DESCARGA ELÉCTRICA</b> <b>NO ABRIR</b>	
<p>Precaución: Para reducir el riesgo de descarga eléctrica, no retire la cubierta o la parte posterior. Adentro no hay piezas reparables por el usuario. Remita el servicio al personal de servicio calificado.</p>		
 <p>El símbolo del rayo con punta de flecha, dentro de un triángulo equilátero, está destinado a alertar al usuario de la presencia de voltaje peligroso no aislado dentro del gabinete del producto que puede ser de magnitud suficiente como para constituir un riesgo de descarga eléctrica.</p>	 <p>El signo de exclamación dentro de un triángulo equilátero tiene la intención de alertar al usuario de la presencia de instrucciones importantes de operación y mantenimiento (servicio) en la literatura que acompaña al televisor.</p>	

**ADVERTENCIA:** PARA REDUCIR EL RIESGO DE INCENDIO O DESCARGAS ELÉCTRICAS, NO EXPONGA ESTE APARATO A LA LLUVIA O LA HUMEDAD.

**PRECAUCIÓN:** LOS CAMBIOS O MODIFICACIONES NO APROBADOS EXPRESAMENTE POR LA PARTE RESPONSABLE DEL CUMPLIMIENTO DE LAS NORMAS DE LA FCC PODRÍAN EVITAR A LA AUTORIDAD DE LOS USUARIOS OPERAR ESTE EQUIPO.

## Advertencia

Antes de operar esta unidad, por favor, lea este manual detenidamente.

### COLOCACIÓN

- No coloque la unidad en un carrito, soporte, trípode o estante inestable.
- No exponga la unidad a la luz solar directa ni a otras fuentes de calor.
- No maneje líquidos cerca o sobre la unidad.
- Nunca derrame líquido de ningún tipo en la unidad
- No coloque la unidad cerca de aparatos que generen campos magnéticos.
- No coloque objetos pesados encima de la unidad

### TEMPERATURA

- No coloque la unidad cerca ni conecte un radiador o un registro de sanador.
- Si la unidad se traslada rápidamente de un lugar frío a un lugar cálido, desconecte el cable de alimentación durante al menos dos horas para que la humedad que se hayan formado en el interior de la unidad se seque por completo.

### HUMEDAD

- No exponga la máquina a la lluvia, la humedad o colocarla cerca del agua
- Asegúrese de que el interior esté seca y fresca.

### VENTILACIÓN

- Mantenga claras las aberturas de ventilación.

**ADVERTENCIA** (solo aplicable a modelos de más de 7 kg)

Nunca coloque un televisor en una ubicación inestable. Un televisor puede caerse y causar lesiones personales graves o la muerte.

Muchas lesiones, particularmente a los niños, pueden evitarse tomando precauciones simples como:

- Utilizando gabinetes o soportes recomendados por el fabricante del televisor.
- Solo usar muebles que puedan soportar de manera segura el televisor.
- Asegurarse de que el televisor no sobresalga del borde de los muebles de soporte.
- No colocar el televisor en muebles altos (por ejemplo, armarios o estanterías) sin anclar tanto el mobiliario como el televisor a un soporte adecuado.
- No colocar el televisor en un paño u otros materiales que puedan estar ubicados entre el televisor y los muebles de apoyo.
- Educar a los niños sobre los peligros de treparse a los muebles para alcanzar el televisor o sus controles. Si su televisor existente se está reteniendo y reubicando, se deben aplicar las mismas consideraciones que arriba.

## Precauciones de Seguridad

1. Lea estas instrucciones.
2. Guarde estas instrucciones.
3. Observe todas las advertencias.
4. Siga todas las instrucciones.
5. No use este aparato cerca del agua. Por ejemplo, no lo use cerca de un lavadero, en un sótano húmedo o cerca de una piscina y similares.
6. Limpie solo con un paño seco.
7. No bloquee ninguna abertura de ventilación. Haga la instalación conforme a las instrucciones del fabricante. Las ranuras y aberturas en la parte posterior o inferior del gabinete se proporcionan para la ventilación, para garantizar un funcionamiento confiable del televisor y para protegerlo de un sobrecalentamiento. Estas aberturas no deben ser bloqueadas o cubiertas. Las aberturas nunca se deben bloquear colocando el televisor en una cama, sofá, alfombra u otra superficie similar.
8. No instale cerca de fuentes de calor como radiadores, registros de calor, estufas u otros aparatos (incluidos amplificadores) que produzcan calor.
9. No modifique el propósito de seguridad del enchufe polarizado o con conexión a tierra. Un enchufe polarizado tiene dos cuchillas con una más ancha que la otra. Un enchufe con toma de tierra tiene dos cuchillas y una tercera a tierra. La cuchilla ancha o la tercera clavija se proporcionan para su seguridad. Si el enchufe provisto no encaja en su toma de corriente, consulte a un electricista para reemplazar el equipo obsoleto.
10. Proteja el cable de alimentación de ser pisado o pellizcado particularmente en los enchufes, receptáculos de conveniencia y el punto donde salen del aparato.
11. Utilice únicamente aditamentos/ accesorios especificados por el fabricante.
12. Use solo con el carrito, el soporte, el trípode, el apoyo o la mesa especificados por el fabricante, o vendidos con el aparato. Cuando se usa un carro, tenga cuidado al mover la combinación del carro / aparato para evitar lesiones por vuelco. Una combinación de TV y carrito debe moverse con cuidado. Las paradas rápidas, la fuerza excesiva y las superficies irregulares pueden hacer que la combinación de TV y carrito se vuelque.
13. Desconecte este aparato durante tormentas eléctricas o cuando no se use durante largos períodos de tiempo. Para una protección adicional para este receptor de TV durante una tormenta eléctrica, o cuando no se utiliza durante largos períodos de tiempo, desenchúfelo de la toma de corriente y desconecte la antena o el sistema de cable. Esto evitará daños al televisor debido a los rayos y las sobretensiones de la línea de alimentación.
14. Remita todos los servicios a personal de servicio calificado. Se requiere servicio cuando el aparato ha sido dañado de alguna manera, como el cable de alimentación o el enchufe está dañado, se ha derramado líquido u objetos han caído en el aparato, el aparato ha estado expuesto a la lluvia o la humedad, no funciona normalmente, o ha sido eliminado.
15. Este televisor debe funcionar solo con el tipo de fuente de alimentación indicada en la etiqueta de clasificación. Si el cliente no está seguro del tipo de fuente de alimentación en su hogar, consulte con su distribuidor de electrodomésticos o con la compañía eléctrica local. Para la potencia de la batería del mando a distancia del televisor, consulte las instrucciones de funcionamiento.
16. El televisor no debe exponerse a goteos o salpicaduras. No se colocarán objetos llenos de líquidos, como jarrones, en el televisor.
17. Nunca inserte objetos de ningún tipo en este televisor a través de las aberturas, ya que pueden tocar una tensión peligrosa u otras partes eléctricas que podrían provocar un incendio o una descarga eléctrica. Nunca derrame líquido de ningún tipo en el televisor.
18. Desenchufe el televisor de la toma de corriente antes de limpiarlo. No use líquidos o aerosoles limpiadores. Utilice un paño húmedo para limpiarlo.
19. Este televisor nunca se debe colocar cerca o sobre un radiador o fuente de calor. Este televisor no debe colocarse en una instalación incorporada, como una estantería o un estante, a menos que se proporcione una ventilación adecuada o se cumplan las instrucciones del fabricante.
20. No coloque este televisor en un carrito, soporte, trípode, soporte o mesa inestable. El televisor puede caerse, causando lesiones graves a alguien y daños graves al aparato.
21. No intente reparar este televisor usted mismo, ya que al abrir o quitar las cubiertas puede exponerse a un alto voltaje peligroso u otros peligros. Remita todos los servicios a personal de servicio calificado.
22. Por favor, haga las medidas de prevención de electricidad estática y protección del panel antes de la revisión, evite dañar el panel y el elemento sensible de la placa principal, por ejemplo, IC, etc.
23. OJO: Para evitar lesiones, este aparato debe estar firmemente sujeto al piso / pared de acuerdo con las instrucciones de instalación.



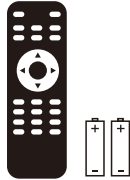
## Preparación para Su Nuevo Televisor

### Verifique los Accesorios

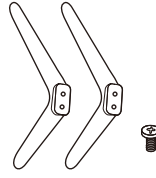
Verifique los accesorios que vienen con su televisor.



LED Televisor



Control Remoto y  
Baterías



Base del soporte de TV  
+  
4\*Tornillos



Manual de Usuario  
+  
Tarjeta de Garantía

### Guía de Instalación del Soporte

El televisor está empacado con el soporte de televisor separado del gabinete. Para configurar el soporte de la mesa de televisor, realice la instalación de acuerdo con las instrucciones a continuación.

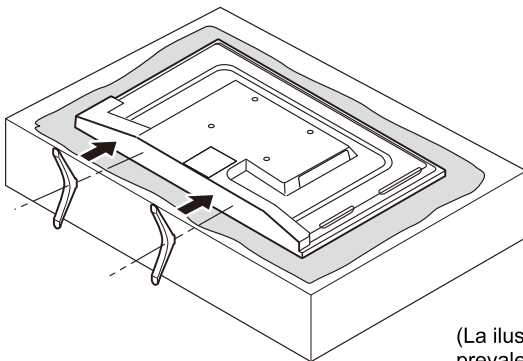
1. El panel se puede rayar fácilmente, así que por favor:

Coloque un paño suave sobre la mesa y coloque el televisor boca abajo sobre el paño.

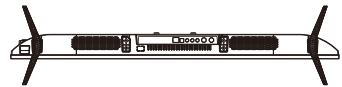
Nota: Desenchufe siempre el cable de CA primero cuando instale o extraiga el soporte.

2. Toma la base. Alinee los orificios de los tornillos de la base y el televisor, luego inserte los tornillos en los orificios de la base y apriételes.

Nota: Para garantizar que el televisor esté estable. por favor, asegure todos los tornillos.



Por favor, tome nota de la dirección de la base:



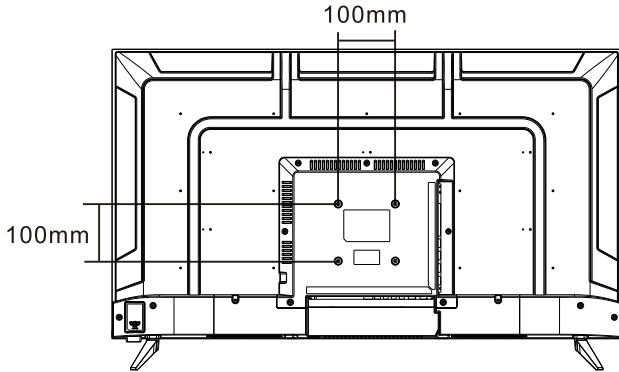
La vista inferior del televisor  
(El gabinete frontal está boca abajo)

(La ilustración es solo de referencia. Por favor prevalezca en especie)

## Montaje en la Pared (si está disponible)

Dimensión de la Unidad (unidad : mm)	Tornillos
VESA 100 x 100	M4 x 6 mm, 4 piezas

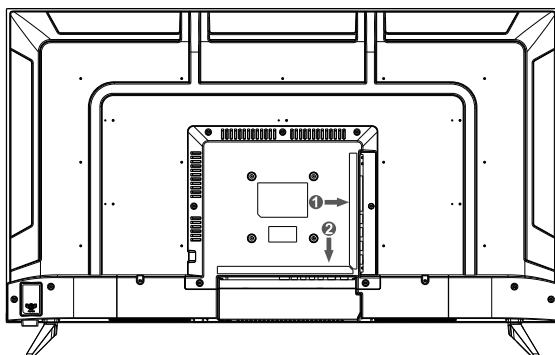
Nota: La longitud del tornillo especificado es solo una recomendación; longitud real requerida puede variar según el tipo de soporte de pared utilizado.



### Advertencias:

1. No instale usted mismo el soporte de pared. Por favor, póngase en contacto con profesionales calificados para la instalación.
2. El televisor no debe montarse en paredes o superficies que tengan un ángulo de más de 10 grados en dirección vertical.  
De lo contrario, el televisor podría caerse.
3. Las paredes para el montaje deben tener la resistencia suficiente para sostener todo el peso del televisor. Por ejemplo, paredes de concreto y ladrillo son preferibles. No coloque el soporte en paredes blandas, como paredes de tierra y placas de yeso.
4. Si se utilizan piezas de repuesto de diferentes especificaciones (como tornillos) durante el montaje, consulte con profesionales calificados para asegurarse de que estas piezas sean seguras y efectivas.
5. Antes de fijar la base a la pared, asegúrese de que los orificios para los anclajes cumplan con las reglas de instalación. De lo contrario, pueden existir algunos problemas potenciales.
6. No coloque ninguna fuente de calefacción debajo de su televisor. Ya que, puede provocar un incendio.
7. No coloque el televisor cerca de algo que gotee. Los transductores y los cables de alta tensión también deben mantenerse alejados del aparato. O, de lo contrario, puede causar fuga, descarga eléctrica o mala resonancia.
8. No coloque el televisor en un lugar donde puedan producirse colisiones o vibraciones.
9. Para evitar caídas inesperadas del televisor, no coloque ninguna fuerza fuerte en el televisor o en el soporte de pared después de la instalación.
10. Asegúrese de desenchufar el televisor antes de instalarlo. Mantenga cualquier objeto duro o afilado lejos del panel de la pantalla para evitar que se raye.
11. Después de la instalación, si hay alguna necesidad de mover el gabinete, póngase en contacto con los profesionales calificados.

## Explicación de las Tomas del TV



1	HDMI1/ARC	HDMI2	HDMI3	USB1	USB2	OPTICAL
2	Earphone	RJ45	CVBS	L	R	RF

**HDMI:** (High-Definition Multimedia Interface) Suministra una conexión digital no comprimida.

**USB:** Conecte a un dispositivo USB como un disco externo para acceder a la función de los medios de TV.

**OPTICAL:** Salida de sonido de TV digital.

**AURICULAR:** Conecta un auricular de 3.5mm para audio personal.

**RJ45:** Conecte a Internet.

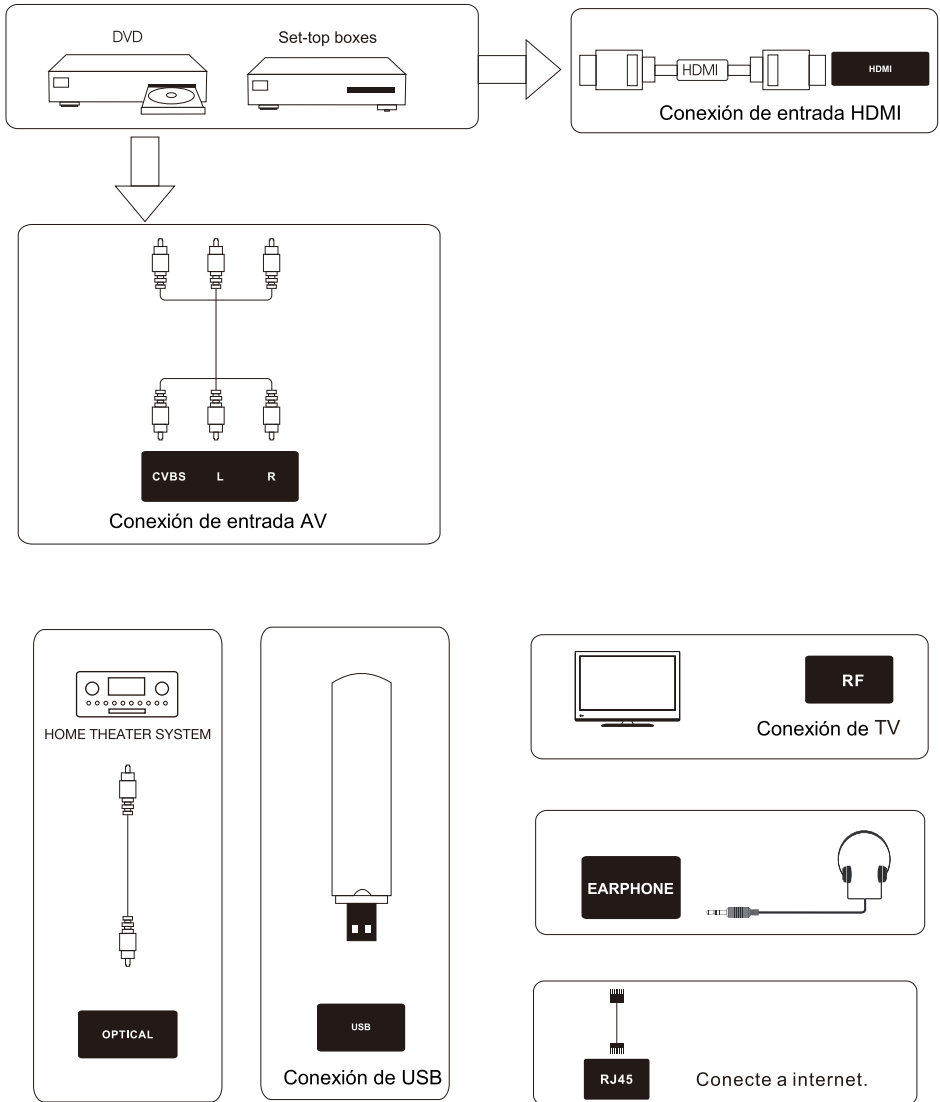
**CVBS:** Conecte a un dispositivo AV que tiene conectores de vídeo compuestos como un reproductor VCR o DVD.

**L:** Conexión del canal de audio izquierdo. El conector de audio izquierdo es normalmente blanco.

**R:** Conexión del canal de audio derecho. El conector de audio derecho es normalmente rojo.

**RF:** Conecte para recibir la señal desde su antena o el cable a través del cable coaxial.

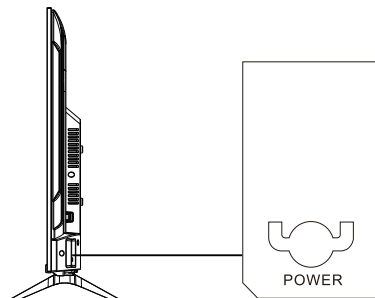
## Diagrama de Conexión del Dispositivo Externo



## Teclado y Panel Frontal

### Botones del Panel Lateral

Si no puede ubicar su mando a distancia, puede usar los botones laterales del teclado en su televisor para operar muchas funciones de TV.



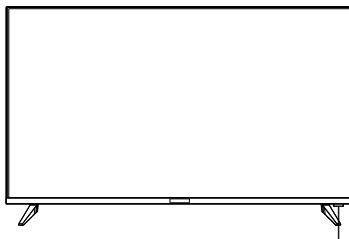
\*La imagen del menú OSD está sujeta a la visualización real.

- POWER(⏻)**:
1. Cuando el televisor esté encendido, presione este botón una vez para abrir la barra de menús.
  2. Presione el botón nuevamente para mover el cursor de izquierda a derecha, paso a paso. Puede ajustarlo según sea necesario.
  3. Mantenga presionado el botón para seleccionar la opción deseada. La pantalla aparecerá con el menú correspondiente. Mantenga pulsado brevemente para seleccionar  $\wedge/\vee$  o  $+/-$  y, a continuación, mantenga pulsado para seleccionar las opciones del menú emergente.
  4. Después de seleccionar el menú que desea ajustar, debe mover el cursor al icono de fuente (☐) y Mantenga presionado el botón para ingresar al menú.
  5. Mantenga presionado el botón para salir de la configuración.
  6. Repita 2-5 para otras opciones.
  7. Tenga en cuenta: El menú de configuración se apagará automáticamente si no hay ninguna operación en 10 segundos.

### Panel Frontal

Indicador de Encendido / Espera: Blanco e indicador apagado. Muestra blanco cuando el televisor está en espera y el indicador apagado cuando está encendido.

Sensor del mando a distancia: sensor IR del mando a distancia, que recibe rayos infrarrojos enviados por el mando a distancia.



Indicador de Encendido / Espera  
Sensor de Control Remoto

NOTA: Si hay una lámina protectora sobre la pantalla, quítela antes de usar el televisor.

## Instrucciones del Mando a Distancia

### Insertar Baterías en el Mando a Distancia

1. Retire la tapa del compartimiento de la batería de la parte posterior del mando a distancia levantando la tapa.
2. Inserte las 2 baterías AAA. Asegúrese de que las polaridades (+ y -) estén alineadas correctamente.
3. Vuelva a colocar la tapa

**Si el mando a distancia no funciona, verifique estos puntos:**

- Son correctas las polaridades (+, -)?
- Las baterías están gastadas?
- Hay una falla de alimentación de CA?
- Está enchufado el cable de alimentación?
- Hay alguna interferencia o bloqueo cerca del sensor del control remoto?

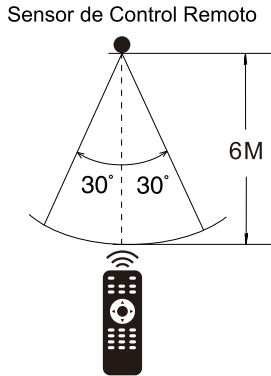
**PRECAUCIÓN:**

- Las baterías usadas deben reciclarse.
- Mantener fuera del alcance de los niños.
- NO use baterías nuevas y viejas juntas.
- Cambie ambas baterías al mismo tiempo.
- Cuando no use el mando a distancia por un tiempo prolongado, retire las baterías de la unidad.

Advertencia: No debe exponer las pilas (empaquetadas o en uso) a altas temperaturas como al calor del sol p el fuego.

### Ángulo de Recepción del Mando a Distancia

Utilice su mando a distancia dentro del rango de distancia y ángulo que se muestra a continuación.



## Conociendo el Mando a Distancia



### Botones del control remoto

POWER(⏻): Activa y desactiva la función inactiva.

MUTE(🔇): Reduce el volumen del televisor a su nivel mínimo. Presione de nuevo para restaurar el volumen.

NUMBER BUTTONS: Pulse 0-9 para seleccionar un canal de televisión directamente cuando esté viendo la televisión.

“-/-”: Para cambiar el dígito del canal.

Recall(↶): Vuelve al canal anterior.

SLEEP: Selecciona el temporizador de reposo, después del cual el televisor se apagará automáticamente.

AUDIO: Cambiar el canal de audio en modo DVD o multimedia.

FAV: Muestra la lista de canales favoritos.

HOME: Presione para abrir la página de inicio de Android.

MOUSE: Cambia al modo de ratón.

N: Presione esta tecla para acceder al sitio.

Y: Presione esta tecla para acceder al sitio de YouTube.

INPUT: Para seleccionar el menú de fuente de entrada.

INFO: Para mostrar la información del programa actual en la pantalla.

Arrows(⬅️/➡️/⬆️/⬇️): Utiliza las cuatro flechas para resaltar diferentes elementos en el menú del televisor o cambiar el valor.

OK: Botón Entrar y confirmar.

MENU: Accede al Menú principal o regresa al nivel superior de un submenú.

EXIT: Sale del menú o función actual.

VOL+ or VOL-: Aumenta o disminuye el volumen del televisor.

ASPECT: Cambia entre el modo de tamaño de pantalla preestablecido.

P.MODE: Permite seleccionar los modos de imagen deseados.

S.MODE: Permite seleccionar los modos de sonido

CH^ or CHv: Explora hacia arriba o hacia abajo a través de la lista de canales actual

RED/GREEN/YELLOW/BLUE: Use funciones adicionales en el menú OSD.

⏸️: Detenga los archivos multimedia.

⏮️ ⏭️: reproducir o pausar archivos multimedia.

⏮️ ⏭️: Revisión rápida y avance rápido.

⏮️ ⏭️: Seleccione el archivo multimedia anterior o siguiente.

CC/SUB-T: Selecciona los subtítulos cerrados.

Presione para seleccionar el subtítulo del archivo de video multimedia.

EPG: Muestra la guía electrónica de programas.

PRSTSC: Imprimir pantalla.

### NOTA:

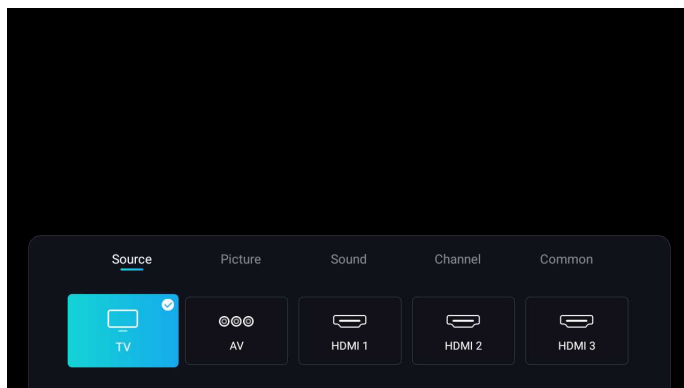
- ♦ Todas las imágenes en este manual son ejemplos, solo como referencia, el producto real puede diferir de las imágenes.
- ♦ Los botones no mencionados aquí no se usan.

## Operaciones Básicas

### Encendido y apagado

Conecte al cable CA al encender la TV. En este momento, la TV entra en el modo standby y el indicador eléctrico se vuelve blanco. Use el botón eléctrico (⏻) en el panel lateral de a TV o en el control remoto para encender la TV. Tras apagar la TV durante 5 segundos, puede encender de nuevo la TV.

### Seleccionar fuente de entrada



- Presione el botón INPUT para mostrar la lista fuente de entrada;
- Pulse el botón ◀/▶ para seleccionar la fuente de entrada que desea ver;
- Pulse el botón OK para llegar a la fuente de entrada;

### Ajustar la Pantalla OSD

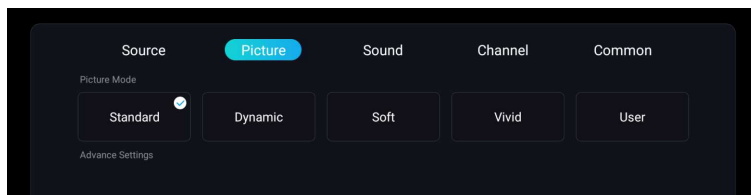
Presione el botón MENU para visualizar el MENÚ OSD PRINCIPAL;

- Pulse el botón ◀/▶ para seleccionar el MENÚ que desee, a continuación, pulse el botón ▲/▼◀/▶ para seleccionar el botón Submenú correspondiente.
- Pulse el botón OK para entrar en el submenú y pulse el botón MENU para volver al menú anterior.
- Pulse el botón ◀/▶ para ajustar el valor o seleccione el menú y, a continuación, presione OK para confirmar la opción de menú seleccionada.

Puede presionar el botón MENU para guardar y regresar al menú anterior, y presionar el botón EXIT para salir de todo el menú.

## Operaciones del Menú OSD

### Ajuste del menú



Pulse el botón **MENU** para mostrar el MENÚ PRINCIPAL OSD;

**Fuente:** Seleccione el Origen para mostrar la lista de orígenes de entrada.

**Imagen:** Usado para el ajuste del efecto de la imagen de TV.  
Por ejemplo: Modo de imagen, temperatura de color, etc.

**Sonido:** Usado para el ajuste del efecto del sonido de TV.  
Por ejemplo: Modo de sonido, Equilibrar, etc.

**Canal:** Usado para la búsqueda y la edición de canales, solo disponible en la entrada TV.  
Puedes elegir el tipo de antena, escanear y otras opciones.

**Común:** Se utiliza para opciones adicionales de TV.  
Por ejemplo: pantalla azul, bloqueo, etc.

Si el sistema de bloqueo está activado, introduzca la contraseña que estableció cuando ingresó al sistema de TV cuando Primero lo encendiste. Para facilitar la memorización, se recomienda que establezca una contraseña que sea simple y fácil de recordar.

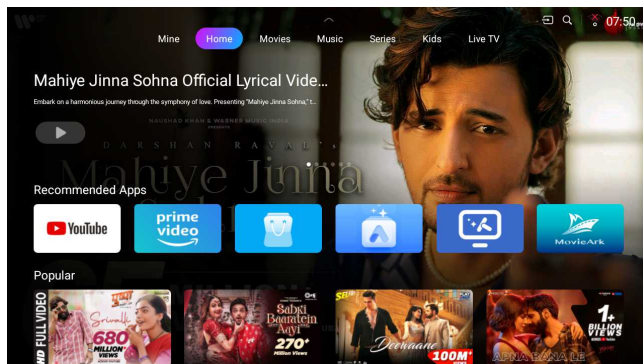
Para más ajustes, consulte los ajustes del menú.

## Operaciones del Menú OSD

### Operación de Smart TV

Presione el botón HOME en el control remoto para entrar en el Iniciador Principal. Presione los botones de flecha ◀/▶/▼/▲ para seleccionar el ícono y presione el botón "OK" para ingresar al submenú.

En el modo de TV inteligente, puede instalar / desinstalar la aplicación, explorar la web, la configuración del sistema y otras operaciones.

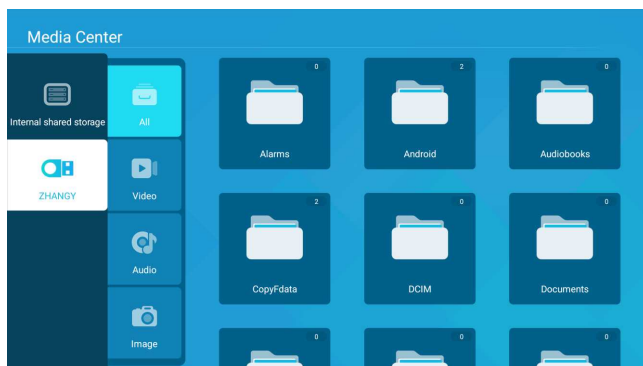


### Operación de medios

Nota: Antes de utilizar el menú MEDIOS, conecte el dispositivo USB o la tarjeta de memoria.

Presiona los botones ▲/▼/◀/▶ en el control remoto, selecciona la opción "Mío" en el Launcher Principal, luego elige el ícono "Medios" y pulsa el botón OK para entrar a la página de gestión de medios.

Haz clic en la letra de unidad correspondiente para ver el contenido de los archivos en el USB, y selecciona el archivo para visualizarlo o reproducirlo.

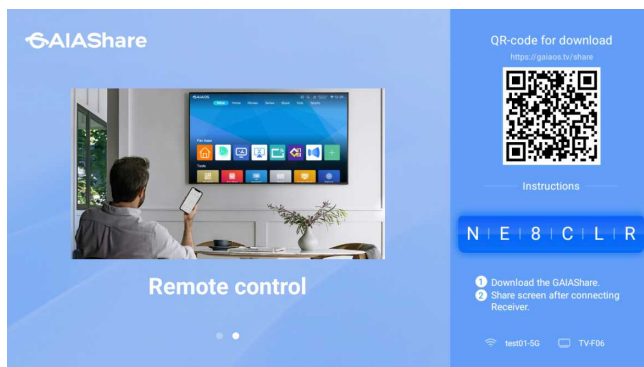


1. Presione el botón ◀/▶ para seleccionar la opción que desea ajustar en el menú Media, luego presione el botón OK para ingresar.
2. Presione el botón ◀/▶ para ajustar o presione el botón ▼/▲ para seleccionar.
3. Tras finalizar el ajuste, presione el botón EXIT para salir del menú entero.

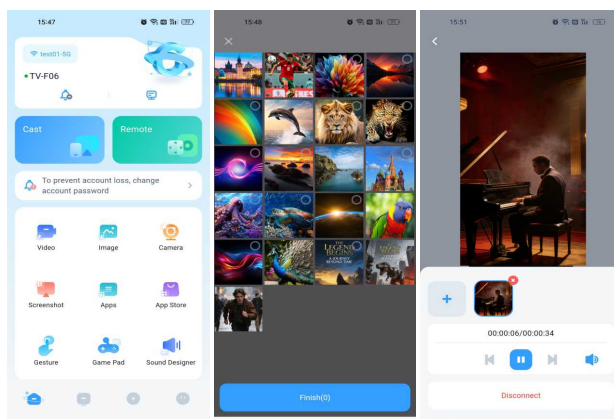
## Operaciones del Menú OSD

### GaiaShare de TV

1. Instala y abre la aplicación GaiaShare en tu televisor, luego establece una conexión con tu smartphone.
  2. Instala la aplicación GaiaShare en tu teléfono inteligente. Puedes descargarla escaneando el código QR que aparece en la pantalla de tu televisor o buscándola en la tienda de aplicaciones de tu móvil. Una vez instalada, abre la aplicación y conéctala a tu TV.
- Antes de conectarte, asegúrate de que tu teléfono, tableta y televisor estén conectados a la misma red Wi-Fi.
3. Selecciona el dispositivo que sea igual al que aparece en la pantalla del televisor, luego podrás conectar tu smartphone o tableta a tu TV



En la aplicación GaiaShare en tu teléfono inteligente, puedes elegir transmitir videos, audio o fotos a tu televisor, convirtiéndolo en una pantalla de visualización. Incluso puedes usar tu smartphone para controlar el televisor de forma remota.



## Solución de Problemas

### Identificación de Problemas

Si hay algún problema al usar el producto, consulte la lista a continuación. Si la lista no resuelve el problema, llame a nuestro Centro de Atención al Cliente de inmediato.

#### Problemas de TV

El televisor no se puede encender.

- Asegúrese de que el cable de CA esté enchufado.
- Verifique la toma de corriente de la pared, asegúrese de que la salida de CA funcione normalmente y de manera estable.
- Seleccione la función de Bloqueo de teclas en el Menú OPCIÓN. Y presione  $\square$  para desmarcar el estado de bloqueo.

#### No hay imagen ni sonido, pero el televisor está encendido y hay un cartel de "No hay señal" en la pantalla.

- Está tratando de usar una fuente de entrada sin ningún dispositivo conectado a ella? Para usar otro dispositivo video / audio, asegúrese primero de que el dispositivo externo funcione normalmente, luego presione Fuente y elija la Fuente de entrada correcta.
- La opción del tipo de señal puede estar configurada incorrectamente.
- El canal puede estar en blanco. Intente buscar el canal nuevamente o cambie otro canal.

#### El sonido está bien, pero la imagen es pobre.

- Si solo puede obtener imágenes en blanco y negro desde un dispositivo externo que haya conectado a su televisor, tal vez se deba a que los cables de video no están bien conectados o están conectados incorrectamente. Verifique primero la estabilidad de la conexión, luego verifique la corrección.
- Para la entrada de AV, el cable de video amarillo se conecta a la toma de entrada de video amarilla en el costado de su televisor. Para la entrada de Componente, los tres cables de video Y, Pb, Pr (rojo, azul y verde) deben conectarse a las tomas de entrada correspondientes en el costado de su televisor.
- Verifique las conexiones de antena. Asegúrese de que todos los cables estén firmemente conectados a la toma de TV en el costado de su televisor.
- Intente ajustar las características de color para mejorar.

#### No hay sonido, pero la imagen está bien.

- El sonido puede estar silenciado. Intente presionar el botón MUTE para restaurar el sonido.
- Para usar AV o Componente, recuerde conectar correctamente la salida de audio izquierda y derecha del dispositivo. El cable del canal izquierdo es blanco y el cable del canal derecho es rojo. Por favor, haga coincidir los cables y las tomas de acuerdo con sus colores.
- Los ajustes de sonido pueden no estar configurados correctamente.
- Si su fuente de audio tiene solo una toma o es una fuente de audio (mono), asegúrese de haber conectado la conexión a la toma Audio In L (blanco) en el televisor.

#### Los botones en el panel lateral no funcionan.

- Desenchufe el televisor de la Corriente Alterna durante 10 minutos y luego vuelva a enchufarlo. Encienda el televisor e intente de nuevo.

#### El televisor se apaga inesperadamente.

- El circuito de protección electrónica puede haberse activado debido a una sobretensión. Espere 30 segundos y luego encienda el televisor nuevamente. Si esto ocurre con frecuencia, el voltaje en su casa puede ser anormal. Si el otro equipo electrónico en su hogar no puede funcionar normalmente, consulte a un personal de servicio calificado.

#### El mando a distancia no funciona.

- Algo podría estar bloqueando entre el mando a distancia y el sensor remoto en el panel frontal del televisor. Asegúrese de que haya una ruta libre.
- Es posible que el mando a distancia no esté dirigido directamente al televisor.
- Las baterías en el mando a distancia pueden estar débiles, muertas o instaladas incorrectamente. Coloque baterías nuevas en el mando a distancia.

## Especificaciones

### Especificaciones del producto

◆ Resolución:	1920x1080
◆ La Fuente De Alimentacion:	AC 100-240V~50/60Hz
◆ Consumo de energía nominal:	75W
◆ Video:	avi , MPEG ,MPEG-4
◆ Música:	mp3
◆ Foto:	jpg , jpeg , bmp , png



**HDMI**™  
HIGH-DEFINITION MULTIMEDIA INTERFACE