



LED TV

User's Manual



SL7523GF / SL8623GF





Please read this manual carefully for proper usage before installation and use. It is recommended to keep this manual properly for future check. The pictures in this manual are only for reference.

Contents

Safety Warning and Notice	1
Mounting and Connecting	3
Packing list.....	3
Mounting the TV set.....	3
Connecting peripheral equipment.....	4
Panel Control Keys	5
Remote Control	6
Basic Operations	7
Turning on/Standby.....	7
Signal source selection.....	7
Menu operation description	7
Channel scanning.....	8
REC option.....	8
Time Shift option.....	8
Instructions for quick start	8
Basic Operations.....	8
Quick Start.....	8
Smart Applications.....	8
Network Settings.....	9
Bluetooth Setting.....	9
Recommendations	9
Important Statement on Network Services	9
Troubleshooting	9
Technical Specifications	10
Base Installation Instructions	11
Use of a TV wall mounting	12

Safety Warning and Notice

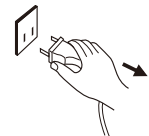
Thanks for choosing the high-performance and multifunctional intelligent LED TV produced by our company. This precious thing will bring you better audiovisual enjoyment. The design of this product has given consideration to factors affecting personal safety, and the product itself has gone through strict tests prior to delivery. However, improper operation may result in electric shock and fire disaster. To ensure safety, prolong the service life of this product, and make sure the best performance of this product can be given full play to, please read the manual and marking label carefully before using it and comply with the following safety instructions. Please keep the user manual for later use.

	Warning	May result in casualties
	Indicate the behaviors that must be prohibited	
	Attention	May result in personal injury or property losses
	Indicate the operations that must be performed	

Under Following Conditions


- Power failure or unstable voltage.
- Abnormal sound or smell from the device.
- AC power cord is damaged.
- TV set is damaged due to falling off, knock or impact.
- Any liquid or foreign matters enter into the TV set.

Turn off the TV set immediately, unplug the power cord from the power outlet, and contact authorized maintenance personnel.






- **If coal gas or other flammable gases leak, do not unplug the power cord of the TV set or other electric appliances; instead, close the valve of the gas immediately and open the doors and windows.**

**Warning**

-  ● Only use 100-240VAC, 50/60Hz power supply.
- All cables can be connected or pull out only after power supply is turned off.
- Do not fix the TV set on instable position, or else it may cause falling off, damage, or even fire.
- Do not put the TV set in the environment:
 1. With direct sunshine, moisture, overheating, undercooling or heavy dust;
 2. With flammable or explosive substance;
 3. With flammable or corrosive gas;
 4. In bathroom, kitchen, etc.
- Do not use damaged or improper power socket, and ensure that the plug and socket are connected properly.
- Keep the power plug and socket free of dust and metal pieces.
- Do not damage the power cord:
 1. It is prohibited to refit the power cord;
 2. Do not put heavy object on the power cord;
 3. Keep the power cord away from heat source;
 4. Do not drag the power cord when unplugging.
- Do not connect too many appliances to one power strip, or else it may cause fire due to high power consumption.
- Do not let open flame (e.g. lit candle) approach the TV set, or else it may cause electric shock or fire.
- Do not put the container filled with water on the TV set, to avoid electric shock or fire caused by water drop or splashing.
- Do not penetrate any sharp object, metal or liquid into the signal connector or air vents, to avoid short circuit and product damage as well as electric shock.
- The slots on the case is designed to release heat so as to assure that all inside components will not reach an extra high temperature and can work normally for a long time. Please do not cover the holes while place it.

**Warning**

-  ● Do not touch the plug with wet hands, or else it may cause electric shock.
-  ● Do not turn on the TV set in thunderstorm weather; instead, unplug the power plug and antenna connector to avoid lightning strike.
-  ● Do not disassemble the TV set by yourself, or else it may cause electric shock or fire. Contact qualified personnel for maintenance.

**Attention**

- Do not let children climb onto the TV set.
- Keep the small accessories away from children's reach to avoid swallowing.
- If the TV set won't be used for a long time, please turn off the device and unplug the power cord.
- Before cleaning the TV set, unplug the power cord and wipe with soft cloth; do not use chemical reagents and avoid foreign substances entering into the device. The incorrect cleaning (such as cleaning fluid, water, etc) may lead to damage of product's appearance, erasing products printing information, even flow into the machine and damage components, cause machine can not display.
- To adjust the position or angle of the TV set, please disconnect all wires and move slowly to avoid falling off.
- Do not rub with hard object, knock at, bend or squeeze the screen.
- Do not use machine immediately after transferring machine to the places with high temperature from low temperature, which will cause fogging inside machine and failures.
- If the screen is broken and the liquid splashes on skin, please wash with clean water immediately for 15 minutes, and go to see your doctor.
- To carry the TV set with hands, please grasp the corners and hold the bottom; do not apply force on the panel.



Attention

- **Displaying the same image for a long time or active image with fixed words, icons will leave "image persistence" on screen which will not disappear after powering off for a long time. This undesirable phenomenon is not covered by warranty.**
- **Healthy TV watching:**
 1. **Watch in appropriate light; poor light or long time watching may hurt your eyes.**
 2. **Adjust the volume appropriate to avoid hurting your hearing.**
- **Unplug the power cord of the device to cut off the power supply.**
- **If a power plug or appliance coupler is used as disconnecting device, it should ensure easy operation.**
- **Power plug shall be connected reliably. Loose power plugs may cause sparkle and fire.**
- **All the technical specifications in the user's manual and on the packaging are subject to changes without prior notice. If there is slight deviation between the user's manual and actual operation, the latter shall prevail.**

Google TV is the name of this device's software experience and a trademark of Google LLC. Google, YouTube, Chromecast built-in and YouTube Music are trademarks of Google LLC.



The terms HDMI, HDMI High-Definition Multimedia Interface, HDMI trade dress and the HDMI Logos are trademarks or registered trademarks of HDMI Licensing Administrator, Inc.

Mounting and Connecting

Packing list

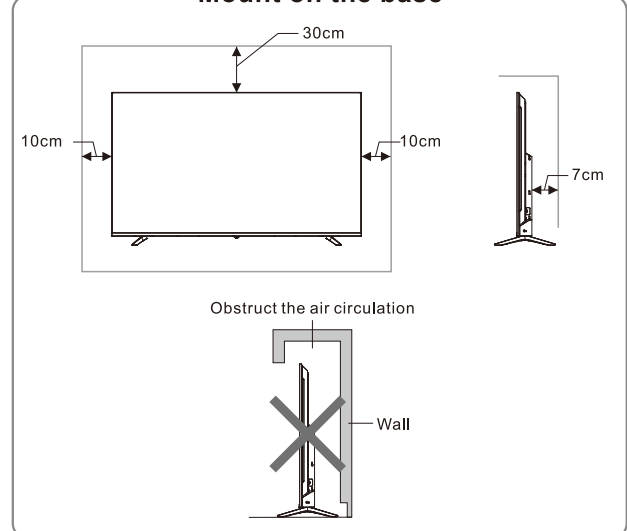
1. The TV set.
2. User Manual.
3. Remote control.
4. Power cord (or attached to TV set).
5. AV transfer cable (Optional).

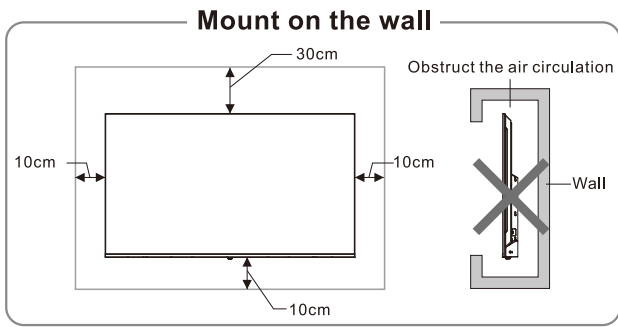
Mounting the TV set

Tips on Installation

- The TV set should be mounted near the AC power socket for easy plugging and unplugging.
- For your safety, please select appropriate wall mount bracket or base.
- To avoid hurt, it is required to place the TV set on stable plane, or fix on firm wall.
- Ask qualified personnel to mount the TV set on the wall. Improper mounting may result in instable TV set.
- Do not place the TV set at any place susceptible to mechanical vibration.
- Do not place the TV set at any place that insects may enter.
- Do not mount the TV set against air conditioner, or else the internal panel of the display may condense moisture and cause failure.
- Do not place the TV set at any place with strong magnetic field, or else it may be interfered with and damaged by electromagnetic wave.

Mount on the base





Ventilation

- Please keep this space at least around the TV, as shown in the figure.
- Do not cover the air vents or insert any object into the enclosure.
- Do not put the device in limited space, e.g. bookcase or embedded closet, unless the TV set is properly ventilated.

Warning

Never place a television set in an unstable location. A television set may fall, causing serious personal injury or death. Many injuries, particularly to children, can be avoided by taking simple precautions such as:

- Using cabinets or stands recommended by the manufacturer of the television set.
- Only using furniture that can safely support the television set.
- Ensuring the television set is not overhanging the edge of the supporting furniture.
- Not placing the television set on tall furniture (for example, cupboards or bookcases) without anchoring both the furniture and the television set to a suitable support.
- Not placing the television set on cloth or other materials that may be located between the television set and supporting furniture.
- Educating children about the dangers of climbing on furniture to reach the television set or its controls.

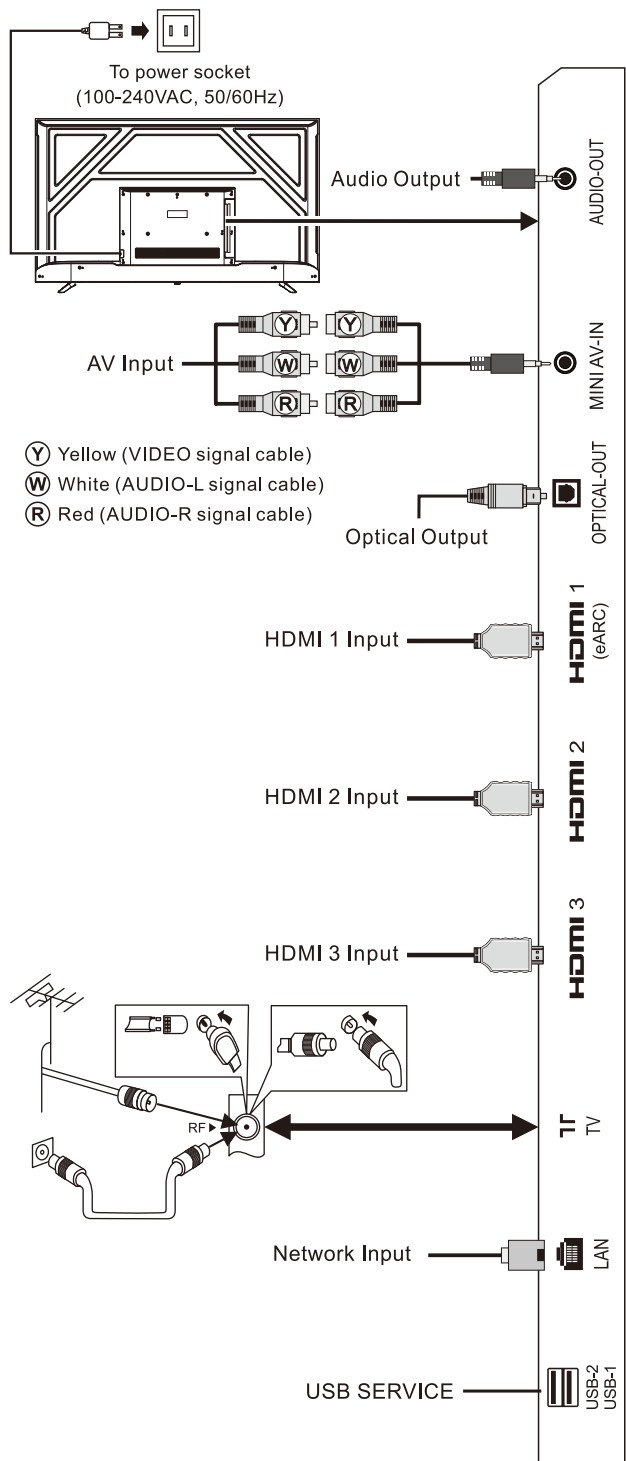
If your existing television set is being retained and relocated, the same considerations as above should be applied.

Connecting peripheral equipment

Remark:

1. When you need to connect the device which support the eARC function, please select the HDMI-1 interface.
2. HDMI connector can realize DVI connector function with external HDMI/DVI commutator.

3. The peripheral equipment and cables described in this manual should be purchased separately.

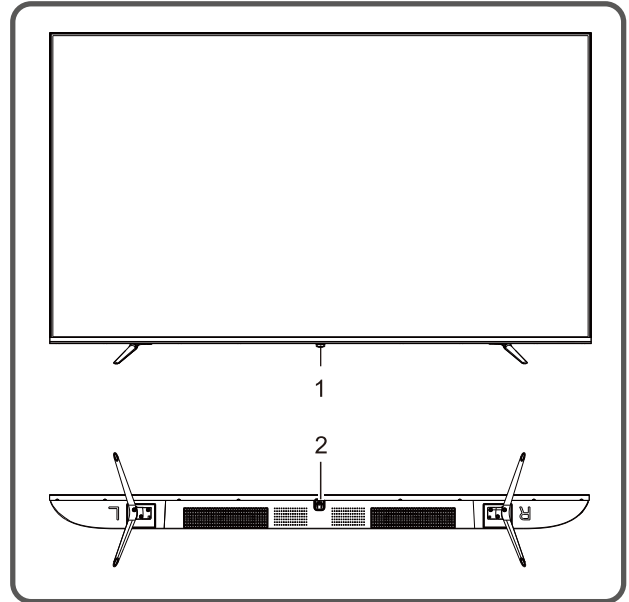




Warning

When connecting outdoor antenna to signal port of the TV set, please turn off the main power switch of the TV set first. Do not approach the outdoor antenna to high voltage mains power line to avoid electric shock. The wired network antenna connected to this TV set must be isolated from the protective grounding, or else it will cause fire or other hazards.

Panel Control Keys



1. Power LED indicator and remote receiving window.
2. ⏻ Standby: To switch the TV on or back to standby.

Remark:

- ①. The appearance varies depending on the model, and the actual product shall prevail.
- ②. Please use the remote control for more operation.

Remote Control

Method for Installation of Remote Control Battery

Remove the battery compartment cover and insert two AAA (No. 7, 1.5V) batteries; make sure the polarity of the batteries is in compliance with the polarity mark "+" and "-" in the battery compartment of the remote control.

Precautions for using the remote control

- The remote control should be pointed at the remote control sensor during operation. An object placed between the remote control and the remote control sensor may impede normal operation.
- The remote control should be prevented from strenuous vibration. Besides, please do not set or place the remote control under direct sunshine, as heating power may result in deformation of the remote control.
- Remote control failure may occur when the remote control sensor of the main unit is under direct sunshine or strong lighting; in this case, please change the angle of lighting or this TV set, or operate the remote control near the remote control sensor.
- Low battery will influence the remote control distance, in which case, the battery should be replaced with a new one. If the remote control is going to be idle for a long time or the battery runs out, please take the battery out to prevent the remote control from being corroded by battery leakage which may result in damage and failure of the remote control.
- Please do not use batteries of different types. It is not allowed to use old and new batteries together; the batteries should be replaced in pair.
- Please do not throw the batteries into fire or charge or decompose the batteries; do not charge, short-circuit, disassemble/assemble, heat or burn used batteries. Please dispose the waste batteries pursuant to relevant regulations on environmental protection.

Bluetooth voice remote control operation manual

Bluetooth Pairing

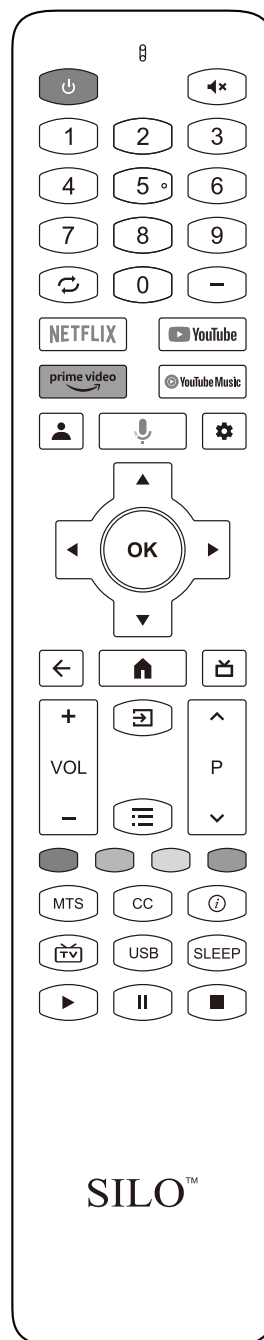
If the Bluetooth of remote control is not paired, press the Google Assistant Button, then long press [←] + [Home] keys to pair. When the TV show the device, select it and press [OK] key to finish.

Note:

1. Some models may not be supported.
2. Your Location must correspond to the language for exact search results. Some functions may not

be available if your location settings and language settings are different.

3. You can change the language according to language input settings. The languages available for Google Assistant may be changed in accordance with service operation policy.
4. Details of service may vary by model.
5. Before you use Google Assistant, you should make sure remote control paired.



Keys of the Remote Control

Note: The appearance of the remote control may be different from this diagram; please refer to the real object as standard.

Keys	Function
Power (⏻)	Switch between working and standby status.
Mute (🔇)	Turn on/off the sound.
Number keys	Select the channel or input numbers.
↺	Return to the previous channel
-	Decimal point.
NETFLIX	Open application.
YouTube	Open application.
prime video	Open application.
YouTube Music	Open application.
👤	Manage Google Account. (It is valid after login)
🗣️	Microphone / Google Assistant Use your voice to search for shows, control your TV, plan your day, and more. Just ask Google Assistant.
Setup (⚙️)	Open setting menu.
⏪, ⏩, ▲, ▼	Select items or adjust values.
OK	In TV mode, open channel list. In OSD menu operation, confirm the operation.
Back (⏪)	Return to previous menu interface.
Home (🏠)	Show home page.
📺	Electronic program guide.
VOL+/-	Turn up/down the volume.
Source (📶)	Show signal source menu.
Menu (☰)	Show OSD menu. (Non-smart mode.)
CH+/- (⏶ P ⏷)	Change channel.
Red key	Special function keys.
Green key	
Yellow key	
Blue key	
MTS	ATV: select NICAM mode; DTV: select audio language.
CC	Press [☰] key, and select TV options > Closed Captions > Enable Caption , then press [OK] key to enter. Select Yes and press [OK] key. After exiting OSD menu, press [CC] key to switch CC mode.
📄	Show information bar.
📺	Switch to TV mode.
SLEEP	Set the TV sleep timer.

Basic Operations

Remark:

1. The keys operation here refers to remote control operation, as for panel control keys operation, please refer to "**Panel Control Keys**".
2. Menu Operation Instruction in this manual explains the operation under TV mode, which could also be the reference to other modes.
3. Before powering on platform, please make sure that the power supply is stable.
4. The software of different countries is different. The specific software operation should be subject to the actual situation.
5. Because the product is constantly updated, the software is upgraded at any time, if the software operation is different from the actual operation, please refer to the actual product.

Turning on/Standby

Plug power cord into the electrical socket, then press [⏻] key to turn on the TV. When it is the first time to turn on the TV, the Initialization Settings interface appears, please set it as needed.

In power on state, press [⏻] key to switch to standby mode.

Signal source selection

You can connect various devices to the TV set and view high quality images. If the video device has HDMI, Composite and other video output ports. You can select one of them and connect to corresponding input ports of the TV set. After connection, turn on the device and press [📶] key, then menu of signal source will be displayed on the screen. Press the [▲]/[▼] key to select the input signal, and press [OK] key to confirm .

Menu operation description

Press [☰] key to show the main menu on the screen:

1. Press [▲]/[▼] key to select a menu from **Channels, TV options**.
2. Press [⏪]/[⏩] key to select an item in the menu.
3. Press [OK] key to enter the submenu.
4. Press [▲]/[▼] key to adjust the value or setting.
5. When the main menu is shown on the screen, press [☰] key to exit the main menu; Press

[←] key to return to previous menu when the TV display the submenu.

6. During menu operation, the icons of invalid options are gray.

Channel scanning

Scan the channels before watching the TV for the first time. Before scanning, please make sure that the antenna has been connected properly.

1. Press [≡] key, and press [▲]/[▼]/[◀]/[▶] key to select **Channel > Channel Installation Mode > Antenna/Cable**.
2. Select **Channels > Channel Scan**, and press [OK] key to search the station automatically.

Instructions for quick start

Note: Please log in to your Google Account to get access to more features.

Basic Operations

Press [⬆] key to show the home page.

1. Press [◀]/[▶] key to select an application;
2. Press [OK] key to run the application;
3. Press [←] key to return to previous page.

Quick Start

Before using this device, please get familiar with the operations below for better experience.

Language input setting

Language: In the smart mode, select the system language. Press [⚙] key, and select **Settings > System > Language**, and press [OK] key. Press [▲]/[▼] key to select the desired language, and then press [OK] key.

Selecting Input Method: In the smart mode, press [⚙] key, and select **Settings > System > Keyboard > Current keyboard**, and press [▲]/[▼] key to choose input method.

Setting System Time: In the smart mode, press [⚙] key, and select **Settings > System > Date & Time > Automatic date & time**, then select **Use network-provided time**. You can also set the system time manually.

Smart Applications

Apps: The **Apps** helps users manage applications, and allows users to install or uninstall apps in local disk.

Press [⬆] key, then press [◀]/[▶] key to select an application and press [OK] key to enter.

■ How to install an application?

Press [⬆] key, and select apps, then press [OK] key to enter, search apps you want and install them.

■ How to uninstall an application?

Press [⬆] key, and select the app that you want to uninstall, long press [OK] key and select to View details and uninstall it.

Network Settings

Wi-Fi

1. In smart mode, press [**⚙**] key, select **Settings > Network & Internet > Wi-Fi**, and press [**OK**] key to turn on WiFi, then the machine automatically searches for nearby wireless network signal. The network searched without **🔒** icon indicate that the machine can connect to the network without a password. The network with **🔒** icon indicate that it is encrypted and you must enter the correct password to connect to the network;
2. Select the desired network from the list, and press [**OK**] key;
3. Enter the password in the password box, then select **✓** and press [**OK**] key to connect to network.

Ethernet

1. Press [**⚙**] key, then select **Settings > Network & Internet > ETHERNET**;
2. Set **Proxy settings** and **IP settings**, then press [**OK**] key to connect to the internet.

Wow/WoI

It allows remote systems to wake up the sleeping TV by sending a frame of a specific format which the client anticipates. (It is available when network is connected.)

Press [**⚙**] key, and select **Settings > Network & Internet > OTHERS > Wake configs > WoW/WoL/ WoC**, and press [**OK**] key to enter. Press [**OK**] key to set it to on or off, and press [**OK**] key to confirm.

Bluetooth Setting

In smart mode, press [**⚙**] key, and select **Settings > Remotes & accessories**, then press [**OK**] key to enter. Select the device which you want to connect to and press [**OK**] key, then follow the prompt to connect.

Note: Select **Settings > System > About > Device name**, and you can check the TV name.

Recommendations

Google Assistant

Use your voice to search for shows, control devices, and more - Just ask Google Assistant

Chromecast built-in™

Easily cast movies, shows, photos, and more from your phone right to your TV.

Important Statement on Network Services

All contents and services obtained from this TV set belong to the third party and are protected by laws on copyright, patent right, trademark right and/or other intellectual property right. The said contents and services are only for your non-commercial purposes. It is not allowed to use any content or service without the authorization of the content owner or the service provider.

Our company will undertake no liability for any direct, indirect and accidental losses or damages caused by your or a third party's access to any content or service or any information or any third party software through this set under any circumstances.

Third party service may be changed, deleted or stopped without prior notice. Our company neither implies nor guarantees the continuous availability of some service or content within any period of time.

Our company is not held responsible for services related to the said service and content. Besides, we will not bear any liability for client service. Please directly contact relevant content and service providers if you have any problem and service request concerning relevant service or content.

Troubleshooting

■ Snowflake spots occur in the TV images and there is noise in accompanying sound.

1. Check if the antenna plug is loose or the cable is in good condition.
2. Check the antenna type (VHF/UHF).
3. Adjust the direction and position of the antenna.
4. Try to use signal enhancer.

■ There is neither display nor sound on the screen. The indication light is not on.

Check if the power line is connected.


■ Dotted line or strip disturbance occurs in TV images.

Do not use electric hair dryer aside the TV set and adjust the antenna direction to reduce disturbance.


■ Double images occur on the TV screen.

1. Use high oriented antenna.
2. Adjust the direction of the antenna.

■ **The images are colorless.**

Press [] key and select **Picture > Saturation** to increase color saturation.

■ **The TV has no accompanying sound.**

1. Adjust the volume to a proper degree.
2. Press [] key on the remote control to cancel mute mode.

■ **No signal input images show on the machine screen. The indicator light is blinking.**

1. Check if the signal connecting cable is loose or falls off. Reconnect it.
2. The machine may be in standby mode, please reboot.

■ **The remote control distance is short or out of control.**

1. Remove the object to avoid blocking the remote control receiving window.
2. Replace the battery.

■ **The browser cannot access any link.**

1. Ask the network administrator to obtain available IP address and other parameters.
2. Check if the network connecting cable is normally connected.
3. Consult the network service provider.

■ **Online video play is very slow.**

1. Please upgrade your network bandwidth to a higher one.
2. Please try to replace with other addresses to obtain better resources.

■ **Machine is slow, system crash, can't operate the machine.**

Disconnect the power supply first, and connect the power supply after about 1-2 minutes, then turn on the TV again.

Technical Specifications

Master unit

Max. Resolution	3840×2160
Power Supply	100-240VAC 50/60Hz
Power Consumption of Speaker	15W+15W
Operating environment:	
Temperature	5°C~40°C
RH	20%~80%
Atmospheric pressure	86kPa~106kPa
Storage environment:	
Temperature	-20°C~55°C
RH	20%~80%
Atmospheric pressure	86kPa~106kPa

Dimension (L×W×H) and Weight

75"

Excluding base	Unpacking: 1669×103×958(mm ³)
Including base	Unpacking: 1669×353×1020(mm ³) Packing: 1840×173×1095(mm ³) Net Weight: 29.2kg Gross Weight: 37.9kg

86"

Excluding base	Unpacking: 1924×106×1103(mm ³)
Including base	Unpacking: 1924×442×1183(mm ³) Packing: 2080×220×1270(mm ³) Net Weight: 37.2kg Gross Weight: 48.3kg

Technical specifications for TV

1. Supported standard:
ATV: NTSC-M/N.
DTV: ATSC.
2. Antenna input: 75Ω coax, unbalanced.
3. AV video input: 75Ω, 1±0.1Vp-p, RCA terminal.
4. AV audio input: 20KΩ, 0.2~2Vrms.
5. HDMI video input: 480i, 480P, 576i, 576P, 720P, 1080i, 1080P, 2160P.
6. Specific internal memory capacity in accordance with actual configuration.
7. Specific cache capacity in accordance with actual configuration.
8. Wireless connection: Wi-Fi (IEEE 802.11 b/g/n).

Power management

Mode	Power Consumption	
	75"	86"
Normal working	≤255W	≤365W
Standby	≤0.5W	≤0.5W

Note: If you turn on **WoW/WoL/WoC** function, the maximum power consumption of the machine in standby mode does not exceed 1W.

HDMI display mode

Video mode			
NO.	Mode	Resolution	Refresh rate
1	SD	720×480i/p	60Hz
2		720×576i/p	50Hz
3	HD	1280×720p	50Hz
4			60Hz
5	FHD	1920×1080i/p	50Hz
6			60Hz
7	UHD	3840×2160p	24Hz
8			25Hz
9			30Hz
10			50Hz
11			60Hz

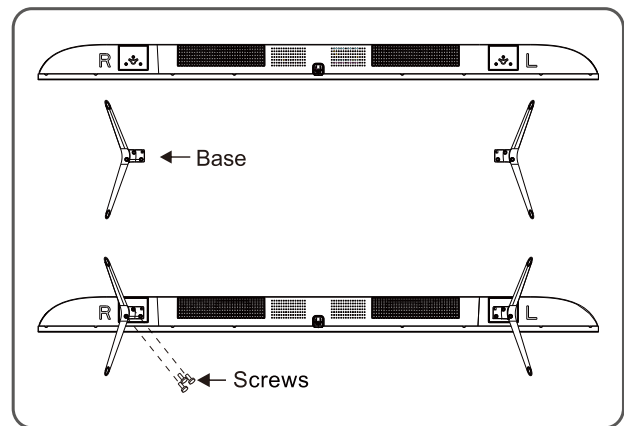
Remark: Under UHD mode, 50Hz and 60Hz refresh rate is effective only under HDMI version 2.0/2.1.

VESA mode			
NO.	Mode	Resolution	Refresh rate
1	VGA	640×480	60Hz
2	SVGA	800×600	60Hz
3	XGA	1024×768	60Hz
4	SXGA	1280×1024	60Hz
5	WXGA	1600×900	60Hz
6	WUXGA	1920×1080	60Hz
7	4K	3840×2160	30Hz
8			60Hz

Remark: Under 4K mode, 60Hz refresh rate is effective only under HDMI version 2.0/2.1.

Base Installation Instructions

Put the machine flat first, distinguish left and right base and base installation front and back direction, then install the bases in the bottom of the machine back cover as arrow direction in figure. Align screw holes, then fasten screws (notice that base module has to be adjusted at figure status, otherwise it cannot be installed in.)



Remark: The actual base and machine appearance may be different from pictures; please refer to the actual device.

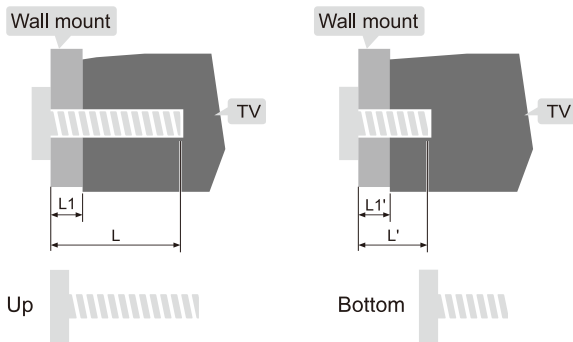
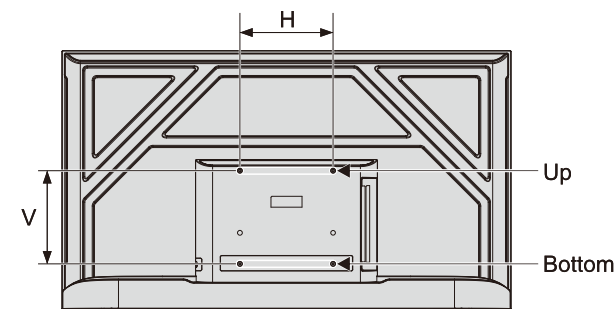
Use of a TV wall mounting

Warning

- Please purchase a suitable TV wall mount when mounting your TV on the wall.
- Ensure that the bearing capacity of the wall for mount installation is no less than 4 times the weight of the TV set and the wall mount so as to avoid falling.
- Please refer to the instructions provided with the TV set and wall mount for installation.
- Make sure there is no cable or conduit in the wall section where a wall mount will be installed.
- Please entrust a professional technician to complete installation. The company shall not be liable for accidents, personal injury or damage caused by improper installation of TV set.

Note:

- If any screws are found in the screw hole for wall mount behind the TV set before installing the wall mount, the screws shall be removed and put in place for later use.
- Please buy the wall screws according to the actual situation.



L1: Thickness of wall mount

L1': Thickness of wall mount

Distance between holes on the wall(H×V)(mm)	Required screws (recommended bolt length)(mm)
75"/86": 500 x 300	Up: 2 x M8 (20+L1≤L≤27+L1), Machine screws Bottom: 2 x M8 (20+L1'≤L'≤27+L1'), Machine screws



TV LED

Manual del usuario



SL7523GF / SL8623GF





Lea atentamente este manual para un uso adecuado antes de instalar y utilizar el producto. Guárdelo en un lugar seguro para referencias futuras. Las imágenes de este manual son solamente para referencia.

Contenido

Advertencia y aviso de seguridad	1
Instalación y conexión	3
Empaque	3
Instalación del TV	3
Conexión de equipos periféricos	4
Botones del panel de control	5
Control remoto	6
Operaciones básicas.....	7
Encendido/en espera	7
Selección de la fuente de señal	7
Descripción del funcionamiento del menú.....	8
Escaneo de canales	8
Instrucciones para inicio rápido	8
Operaciones básicas.....	8
Inicio Rápido	8
Aplicaciones Inteligentes.....	8
Ajustes de red	9
Configuración Bluetooth	9
Recomendaciones.....	9
Declaración Importante sobre los Servicios de Red... 9	9
Solución de problemas	10
Especificaciones técnicas	10
Instrucciones para la instalación en base.....	11
Instalación del soporte de pared	12

Advertencia y aviso de seguridad

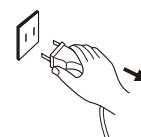
Gracias por elegir nuestro televisor LED inteligente de alto rendimiento y multifuncional. Disfrute de la mejor experiencia audiovisual. Este producto ha sido diseñado y fabricado para garantizar la seguridad personal y ha sido probado bajo estrictos estándares de calidad antes de salir de fábrica. Sin embargo, el uso inadecuado puede provocar descargas eléctricas e incendios. Para garantizar la seguridad, obtener el mejor desempeño y prolongar la vida útil del producto, lea este manual y las etiquetas de marcado con atención antes de usarlo y cumpla con las siguientes instrucciones de seguridad. Guarde este manual del usuario para consultas posteriores.

	Advertencia	Riesgo de accidente
	Indica las operaciones que no están permitidas	
	Atención	Riesgo de lesiones personales o pérdidas materiales
	Indica las operaciones que están permitidas	

Bajo las siguientes condiciones

- Falla de alimentación o voltaje inestable.
- Sonido u olor anormal del dispositivo.
- El cable de alimentación de CA está dañado.
- El televisor está dañado por caídas, golpes o impactos.
- Cualquier líquido o materia extraña entra al televisor.

Apague el televisor inmediatamente, desenchufe el cable de alimentación de la toma de corriente y póngase en contacto con el personal de mantenimiento autorizado.



- Si hubiera una fuga de gas u otros gases inflamables, no desenchufe el cable de alimentación del televisor u otros aparatos eléctricos; en su lugar, cierre inmediatamente la válvula del gas y abra las puertas y ventanas.

Advertencia



- Utilice solamente una fuente de alimentación de 100-240 V CA, 50/60 Hz.
- Todos los cables pueden conectarse o desconectarse solo después de que la fuente de alimentación esté apagada.
- No coloque el televisor en una posición inestable, ya que podría caerse, dañarse o incluso provocar un incendio.
- No instale el televisor en un ambiente:
 1. Con luz solar directa, humedad, sobrecalentamiento o polvo en exceso.
 2. Con sustancias inflamables o explosivas.
 3. Con gas inflamable o corrosivo.
 4. En el baño, cocina, etc.
- No utilice enchufes dañados o inadecuados y asegúrese de que la clavija y el enchufe estén conectados correctamente.
- Mantenga el enchufe y la toma de corriente sin polvo ni piezas metálicas.
- No dañe el cable de alimentación:
 1. No se permite reacondicionar el cable de alimentación.
 2. No coloque objetos pesados sobre el cable de alimentación.
 3. Mantenga el cable de alimentación alejado de fuentes de calor.
 4. No arrastre el cable de alimentación cuando lo desenchufe.
- No conecte demasiados aparatos a una extensión, de lo contrario podría provocar un incendio debido al alto consumo de energía.
- No deje que una llama expuesta (p. ej., vela encendida) llegue hasta el televisor, de lo contrario podría provocar una descarga eléctrica o un incendio.
- No coloque un recipiente con agua sobre el televisor para evitar descargas eléctricas o un incendio causado por la salpicadura de las gotas.
- No penetre ningún objeto punzante, metal o líquido en el conector de señal o en las rejillas de ventilación para evitar cortocircuitos y daños en el producto, así como descargas eléctricas.
- Las ranuras de la carcasa están diseñadas para liberar calor y asegurar que todos los componentes interiores no alcancen una temperatura alta y puedan funcionar normalmente durante un período prolongado. No obstruya las ranuras al ubicarlo.



No toque el enchufe con las manos mojadas, ya que podría provocar una descarga eléctrica.

Advertencia



No encienda el televisor durante una tormenta; en su lugar, desconecte el enchufe de alimentación y el conector de la antena para evitar un rayo.



No desmonte el televisor, ya que podría provocar descargas eléctricas o incendios. Póngase en contacto con el personal calificado para el mantenimiento.

Atención

- No permita que los niños se suban al televisor.
- Mantenga los accesorios pequeños fuera del alcance de los niños para evitar que los traguen.
- Si el televisor no se usará durante un período prolongado, apáguelo y desenchufe el cable de alimentación.
- Antes de limpiar el televisor, desenchufe el cable de alimentación y límpielo con un paño suave; no utilice reactivos químicos y evite que entren sustancias extrañas en el aparato. La limpieza incorrecta (por ejemplo, con líquidos de limpieza, agua, etc.) podría ocasionar daños en la apariencia y borrar la información impresa del producto, incluso podría ingresar el líquido hacia el interior, averiar los componentes y hacer que el aparato no funcione.
- Para ajustar la posición o el ángulo del televisor, desconecte todos los cables y muévelo lentamente para evitar que se caiga.
- No frote, golpee, doble ni apriete la pantalla con ningún objeto duro.
- No utilice el aparato inmediatamente después de trasladarlo a lugares de alta o baja temperatura ya que podría causar el empañamiento dentro del equipo y provocar fallas.
- Si la pantalla se rompe y el líquido salpica la piel, lávese inmediatamente con agua limpia durante 15 minutos y consulte a su médico.
- Para transportar el televisor con las manos, tómelo por las esquinas y sujete la parte inferior; no haga fuerza sobre el panel.



Atención

- Si se muestra la misma imagen durante un período prolongado o una imagen activa con palabras fijas, los iconos dejarán una "persistencia de imagen" en la pantalla que no desaparecerá y permanecerá por algún tiempo incluso después de apagarse. Este fenómeno indeseado no está cubierto por la garantía.
- Hábitos televisivos saludables:
 1. Se recomienda ver con una luz adecuada; una iluminación deficiente o usar el monitor LED durante un periodo prolongado podría dañar su visión.
 2. Ajuste el volumen adecuado para no dañar sus oídos.
- Desconecte el cable de alimentación del aparato para cortar la alimentación.
- Si utiliza un enchufe o un acoplador como dispositivo de desconexión, debe asegurarse de que sea fácil de usar.
- El enchufe debe estar conectado de forma segura. Los enchufes sueltos pueden causar chispas y fuego.
- Todas las especificaciones técnicas del manual del usuario y del embalaje están sujetas a cambios sin previo aviso. Si existe una ligera diferencia entre el manual del usuario y el funcionamiento real, prevalecerá este último.

Google TV es el nombre de la experiencia de software de este dispositivo y es una marca comercial de Google LLC.

Google, YouTube, Chromecast built-in y YouTube Music son marcas de Google LLC.



Los términos HDMI, HDMI High-Definition Multimedia Interface, HDMI trade dress y los logotipos de HDMI son marcas comerciales o marcas comerciales registradas de HDMI Licensing Administrator, Inc.

Instalación y conexión

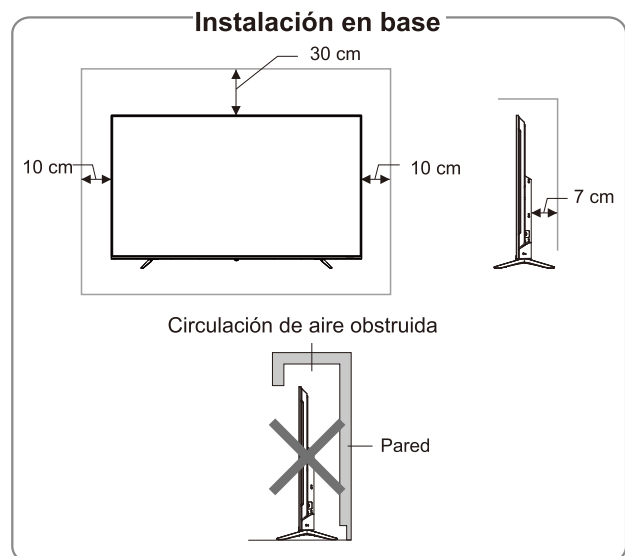
Empaque

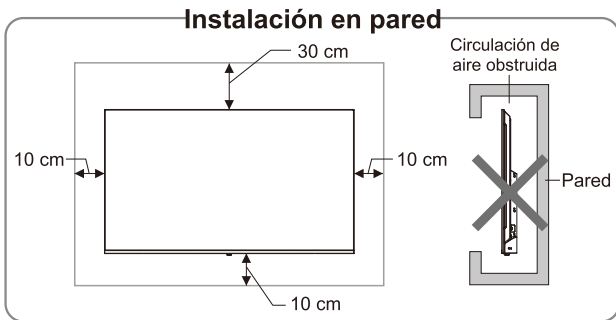
1. Equipo de TV.
2. Manual del usuario.
3. Control remoto.
4. Cable de alimentación (o colocado en el TV).
5. Cable de transferencia AV (Opcional).

Instalación del TV

Consejos para la instalación

- El televisor debe instalarse cerca de una toma de corriente eléctrica para poder enchufarlo y desenchufarlo fácilmente.
- Para su seguridad, utilice un soporte apropiado para la instalación en pared o base.
- Para evitar daños, es necesario instalar el televisor sobre una superficie plana y estable o fijarlo en una pared firme.
- Consulte al personal técnico calificado para la instalación del TV en pared. Una instalación incorrecta podría hacer que el televisor quedara inestable.
- No instale el televisor en un lugar donde pueda sufrir vibraciones mecánicas.
- No instale el televisor en un lugar donde los insectos puedan entrar al interior del equipo.
- No instale el televisor en contra del aire acondicionado, el panel interno de la pantalla podría condensar la humedad y provocar fallas.
- No instale el televisor cerca de campos magnéticos fuertes, esto puede provocar interferencias y daño por las ondas electromagnéticas.





Ventilación

- Mantenga por lo menos este espacio alrededor del televisor como se muestra en la figura.
- No cubra las rejillas de ventilación ni inserte ningún objeto en la carcasa.
- No coloque el aparato en un espacio limitado, como por ejemplo en un estante o armario empotrado, a menos que el televisor esté bien ventilado.

⚠ Advertencia

Nunca coloque el televisor en un lugar inestable. El televisor puede caerse y causar lesiones personales graves o la muerte. La mayoría de las lesiones, especialmente en los niños, se pueden evitar tomando precauciones simples como:

- Utilizar armarios o soportes recomendados por el fabricante del televisor.
- Utilizar únicamente muebles que puedan soportar de forma segura el televisor.
- Asegurar que el televisor no sobresalga del borde de los muebles de soporte.
- No colocar el televisor sobre muebles altos (por ejemplo, armarios o libreros) sin anclar tanto el mueble como el televisor a un soporte adecuado.
- No colocar el televisor sobre telas u otros materiales que puedan estar ubicados entre el televisor y los muebles de soporte.
- Eduque a los niños sobre los peligros de subirse a los muebles para alcanzar el televisor o sus controles.

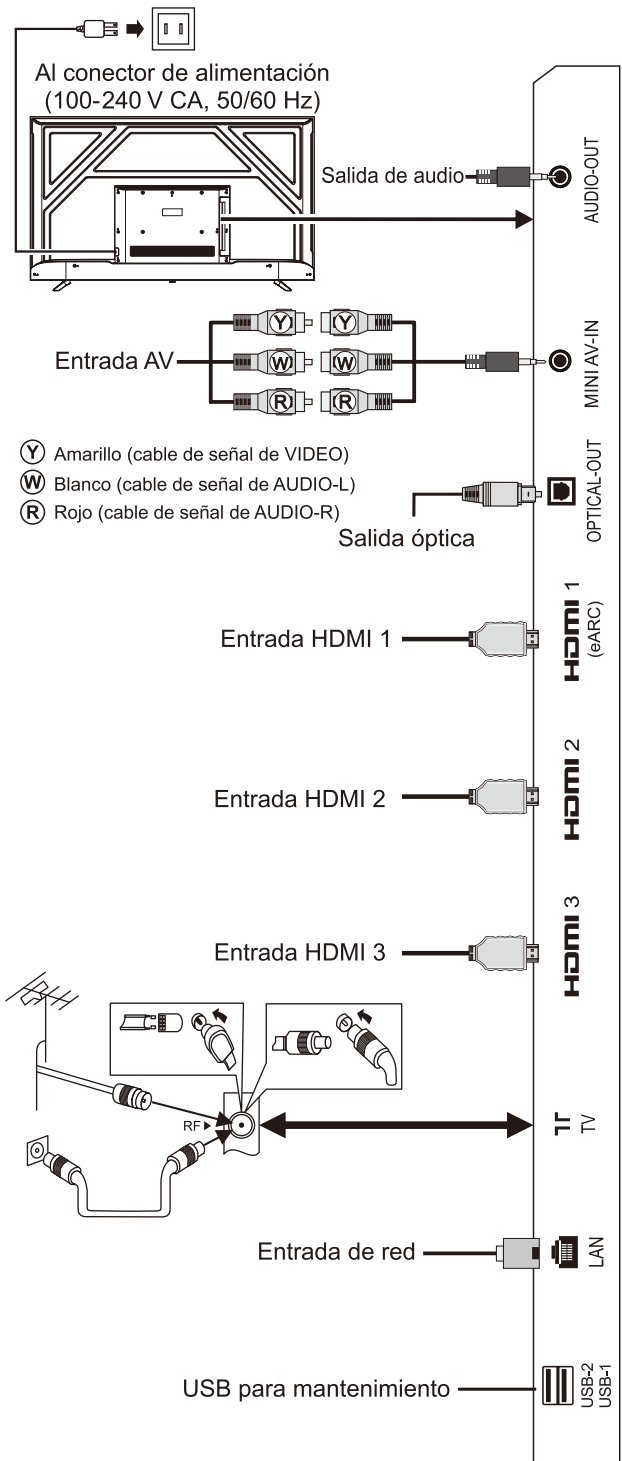
Si su televisor actual será trasladado y reubicado, se deben aplicar las mismas consideraciones que las anteriores.

Conexión de equipos periféricos

Importante:

1. Cuando conecte un dispositivo que soporte la función eARC, seleccione la interfaz HDMI-1.
2. El conector HDMI puede cumplir la función del conector DVI con conmutador HDMI/DVI externo.

3. Los dispositivos periféricos y cables descritos en este manual se deben adquirir por separado.

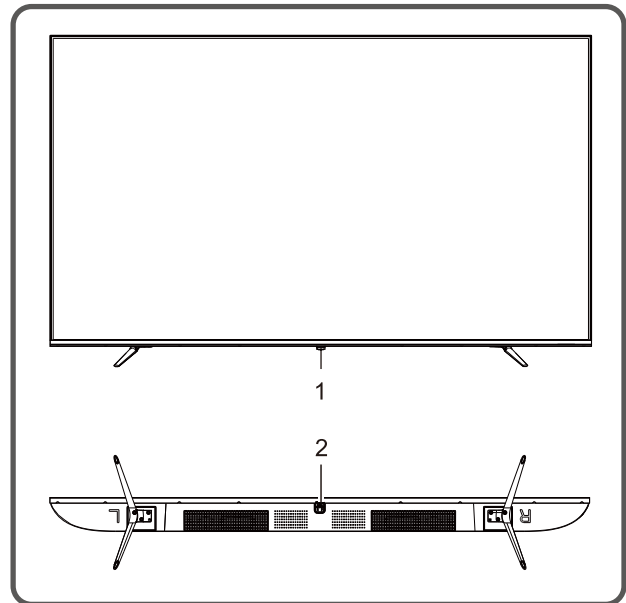





Advertencia

Antes de conectar la antena externa al puerto de señal del televisor, apague la fuente de alimentación del televisor. No acerque la antena externa a la red eléctrica de alta tensión para evitar descargas eléctricas. La antena de red cableada conectada a este televisor debe estar aislada de la protección a tierra, de lo contrario podría provocar incendios u otros peligros.

Botones del panel de control



1. Indicador LED de encendido y ventana de recepción del control remoto.
2.  En espera: Pulse este botón para encender el televisor o volver al modo de espera.

Importante:

- (1) La apariencia varía según el modelo, y prevalecerá el producto real.
- (2) Utilice el control remoto para realizar más operaciones.

Control remoto

Método para la instalación de las baterías del control remoto

Retire la tapa del compartimento de las baterías e inserte dos baterías AAA (N.º 7, 1.5 V). Asegúrese de que la polaridad de las baterías coincida con las marcas de polaridad "+" y "-" en el compartimento de las baterías del control remoto.

Precauciones para el uso del control remoto

- Cuando lo use, el control remoto deberá apuntar hacia el sensor del control remoto en el televisor. Si entre el control remoto y el sensor del control remoto del televisor hay un objeto, podría afectar al funcionamiento normal.
- No permita que el control remoto sufra vibraciones intensas. No coloque el control remoto bajo la luz directa del sol, ya que podría deformarlo.
- El control remoto puede presentar fallas si el sensor de control remoto del televisor está expuesto a la luz solar directa o a una luz intensa; en este caso, cambie el ángulo de iluminación del televisor o utilice el control remoto cerca del sensor de control remoto del televisor.
- El control remoto no funcionará si las baterías están bajas. En este caso, reemplace las baterías. Si no va a utilizar las baterías durante un período prolongado o si las baterías se agotan, retírelas para evitar que el control remoto se corra por una fuga de la batería que puede provocar daños y fallas en el control remoto.
- No utilice baterías de diferentes tipos. No utilice baterías nuevas y usadas al mismo tiempo. Reemplácelas en pares.
- No arroje las baterías al fuego ni las cargue o deje descomponer; no cargue, permita que entren en cortocircuito, desmonte/ensamble, caliente ni queme las baterías usadas. Deseche las baterías usadas de acuerdo con la normativa sobre protección del medioambiente.

Manual de operación del control por voz del control remoto Bluetooth Emparejamiento Bluetooth

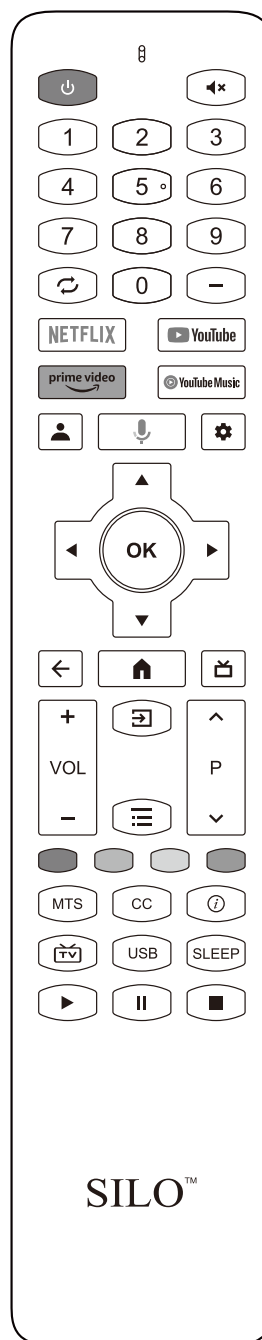
Si el Bluetooth del control remoto no está emparejado, presione el botón Google Assistant, luego mantenga presionados los botones [←] + [🏠] para emparejar. Cuando el televisor muestre el dispositivo, selecciónelo y presione el botón [OK] para finalizar.

Nota:

1. Es posible que algunos modelos no sean compatibles.
2. Su ubicación debe corresponder al idioma para obtener resultados de búsqueda exactos. Es posible

que algunas funciones no estén disponibles si la configuración de ubicación y de idioma son diferentes.

3. Puede cambiar el idioma según la configuración de entrada de idioma. Los idiomas en los que se encuentra disponible el Asistente de Google pueden cambiar según las políticas de uso del servicio.
4. Los detalles del servicio pueden variar según el modelo.
5. Antes de usar el Asistente de Google, asegúrese de que el control remoto esté emparejado.



Botones del control remoto

Nota: La apariencia real del control remoto puede ser diferente de la imagen; remítase al dispositivo real.

Botones	Función
Encendido (⏻)	Cambia entre el modo normal y modo de espera.
Mute (⏮)	Enciende y apaga el sonido.
Botones numéricos	Seleccione el canal o los números de entrada.
↶	Regresar al canal anterior
-	Punto decimal.
NETFLIX	Abrir aplicación.
YouTube	Abrir aplicación.
prime video	Abrir aplicación.
YouTube Music	Abrir aplicación.
👤	Administrar cuenta de Google. (Válido después de iniciar sesión).
🎤	Micrófono / Asistente de Google Use la voz para buscar programas, controlar el TV, planificar su día y mucho más. Pregúntele a Asistente de Google.
Configuración (⚙️)	Abre el menú de configuración.
◀, ▶, ▲, ▼	Selecciona elementos o ajusta valores.
OK	En el modo TV, abra la lista de canales. En el menú con visualización en pantalla (OSD), confirme la operación.
Regresar (←)	Regresa a la interfaz del menú anterior.
Inicio (🏠)	Muestra la página de inicio.
📺	Guía electrónica de programas.
VOL+/-	Sube/baja el volumen.
Fuente (📡)	Muestra el menú de fuentes de señales.
Menú (☰)	Muestra el menú de visualización en pantalla. (Modo no inteligente).
CAN+/- (⤴ P ⤵)	Cambia de canal.
Botón rojo	Botones de funciones especiales.
Botón verde	
Botón amarillo	
Botón azul	
MTS	ATV: selecciona el modo NICAM. DTV: selecciona el idioma de audio.
CC	Presione el botón [☰], y seleccione TV options > Closed Captions > Enable Caption (Opciones de TV > Subtítulos > Habilitar subtítulos), finalmente presione el botón [OK]. Seleccione Yes (Aceptar) y luego presione el botón [OK]. Después de salir del menú OSD, presione el botón [CC] para acceder al modo Subtítulos.
ⓘ	Muestra la barra de información.
📺	Cambia a modo TV.
REPOSO	Configure el temporizador de desconexión.

Operaciones básicas

Importante:

1. El funcionamiento de los botones descrito aquí se refiere al funcionamiento de los botones del control remoto. Para el funcionamiento de los botones del panel de control, consulte "**Botones del panel de control**".
2. Las instrucciones de utilización de los menús de este manual explican el funcionamiento en el modo TV, las cuales también podrían servir de referencia para otros modos.
3. Antes de encender la plataforma, asegúrese que la fuente de alimentación es estable.
4. El software puede variar según el país. El funcionamiento específico del software debe estar sujeto a la situación real.
5. Debido a que el producto se actualiza constantemente, el software podría actualizarse en cualquier momento. Si el funcionamiento del software es diferente al funcionamiento real, consulte el producto real.

Encendido/en espera

Enchufe el cable de alimentación en la toma de corriente y luego pulse el botón [⏻] para encender el TV. Cuando es la primera vez que enciende el televisor, aparece la interfaz de Configuración de Inicialización, configúrela de acuerdo a lo que necesite.

En el estado de encendido, pulse el botón [⏻] para cambiar al modo de espera.

Selección de la fuente de señal

Puede conectar varios dispositivos al televisor y ver imágenes de alta calidad. Si el dispositivo de video tiene puertos de salida HDMI, Compuesto y otros puertos de salida de video. Puede seleccionar uno de ellos y conectarlo a los puertos de entrada correspondientes del televisor. Después de la conexión, encienda el dispositivo y presione el botón [📡], entonces el menú de la fuente de señal se visualizará en la pantalla. Presione los botones [▲]/[▼] para seleccionar la señal de entrada y presione el botón [OK] para confirmar.

Descripción del funcionamiento del menú

Pulse el botón [≡] para mostrar el menú principal en la pantalla:

1. Pulse los botones [▲]/[▼] para seleccionar un menú de **Channels** (Canales), **TV options** (Opciones de TV).
2. Pulse los botones [◀]/[▶] para seleccionar una opción del menú.
3. Pulse el botón [OK] para ingresar al submenú.
4. Presione los botones [▲]/[▼] para ajustar el valor o la configuración.
5. Cuando el menú principal aparezca en pantalla, presione el botón [≡] para salir del menú principal; presione el botón [←] para regresar al menú anterior cuando el submenú aparezca en el televisor.
6. Cuando se utiliza el menú, los iconos de las opciones no válidas aparecen en gris.

Escaneo de canales

Explore los canales antes de ver televisión por primera vez. Antes de realizar la búsqueda, asegúrese de que la antena esté conectada correctamente.

1. Pulse el botón [≡], y pulse los botones [▲]/[▼]/[◀]/[▶] para seleccionar **Channel > Channel Installation Mode > Antenna/Cable** (Canal > Modo de Instalación de Canales > Antena/Cable).
2. Seleccione **Channels > Channel Scan** (Canales > Búsqueda de Canales) y presione el botón [OK] para buscar la estación automáticamente.

Instrucciones para inicio rápido

Nota: Para acceder a más funciones, inicie sesión en su cuenta de Google.

Operaciones básicas

Pulse el botón [🏠] para mostrar la página de inicio.

1. Pulse los botones [◀]/[▶] para seleccionar una aplicación.
2. Pulse el botón [OK] para ejecutar la aplicación.
3. Pulse el botón [←] para volver a la página anterior.

Inicio Rápido

Antes de utilizar este dispositivo, por favor, familiarícese con las siguientes operaciones para una mejor experiencia.

Configuración de entrada de idioma

Idioma: En el modo inteligente, seleccione el idioma del sistema. Pulse el botón [⚙️], seleccione **Settings > System > Language** (Configuración > Sistema > Idioma) y pulse el botón [OK]. Pulse los botones [▲]/[▼] para seleccionar el idioma deseado y luego pulse el botón [OK].

Selección del método de entrada: En el modo smart, pulse el botón [⚙️], seleccione **Settings > System > Keyboard > Current keyboard** (Configuración > Sistema > Teclado > Teclado actual) y presione los botones [▲]/[▼] para elegir el método de entrada.

Configuración de la hora del sistema: En el modo smart, pulse el botón [⚙️], seleccione **Settings > System > Date & Time > Automatic date & time** (Configuración > Sistema > Fecha y hora > Fecha y hora automáticas) y después seleccione **Use network-provided time** (Usar la hora provista por la red). También puede configurar la hora del sistema manualmente.

Aplicaciones Inteligentes

Aplicaciones: La sección de **Aplicaciones** ayuda a los usuarios a gestionar las aplicaciones y permite a los usuarios instalar o desinstalar aplicaciones en el disco local.

Pulse el botón [🏠], después pulse los botones [◀]/[▶] para seleccionar una aplicación y pulse el botón [OK] para ingresar.

■ ¿Cómo instalar una aplicación?




Pulse el botón [⏠], seleccione la opción de aplicaciones, después pulse el botón [OK] para aceptar y busque las aplicaciones que desee instalar.

■ ¿Cómo desinstalar una aplicación?

Pulse el botón [⏠] y seleccione la aplicación que desee desinstalar. Mantenga pulsado el botón [OK] y seleccione la opción para ver más detalles y desinstalarla.

Ajustes de red

Wi-Fi

1. En el modo smart, pulse el botón [⚙️], seleccione **Settings > Network & Internet > Wi-Fi** (Configuración > Internet y red > Wifi) y pulse el botón [OK] para activar el wifi. Entonces, la máquina buscará automáticamente las señales de red inalámbrica próximas. La red buscada sin el icono  indica que el equipo puede conectarse a la red sin contraseña. La red con el icono  indica que está encriptada y que debe ingresar la contraseña correcta para conectarse a la red;
2. Seleccione la red deseada de la lista y presione el botón [OK];
3. Ingrese la contraseña en el cuadro de contraseña, luego seleccione  y presione el botón [OK] para conectarse a la red.

Ethernet

1. Pulse el botón [⚙️], después, seleccione **Settings > Network & Internet > ETHERNET** (Configuración > Internet y red > Ethernet).
2. Establezca la **Proxy settings** (Configuración del proxy) y la **IP settings** (Configuración IP) y, a continuación, presione el botón [OK] para conectarse a Internet.

Wow/WoL

Permite que los sistemas remotos se activen cuando el TV está en suspensión al enviar un formato de trama específico que el cliente de red anticipa. (Disponible cuando la red está conectada).

Pulse el botón [⚙️], seleccione **Settings > Network & Internet > OTHERS > Wake configs > WoW/WoL/WoC** (Configuración > Internet y red > Otras > Configuraciones wake > WoW/WoL/WoC) y pulse el botón [OK] para aceptar. Presione el botón [OK] para activarla o desactivarla y presione el botón [OK] para confirmar.

Configuración Bluetooth

En el modo smart, pulse el botón [⚙️], seleccione **Settings > Remotes & accessories** (Configuración > Control remoto y accesorios), a continuación pulse el botón [OK] para aceptar. Seleccione el dispositivo que desea conectar y presione el botón [OK], luego siga las indicaciones para conectarlo.

Nota: Seleccione **Settings > System > About > Device name** (Configuración > Sistema > Acerca de > Nombre del dispositivo) y verá el nombre del TV.

Recomendaciones

Asistente de Google

Utilice su voz para buscar programas, controlar dispositivos y mucho más - solo pregúntele a Asistente de Google.

Chromecast built-in™

Transmita sin problemas todo tipo de películas, programas, fotos y mucho más directamente desde su teléfono al TV.

Declaración Importante sobre los Servicios de Red

Todos los contenidos y servicios obtenidos de este televisor pertenecen a terceros y están protegidos por las leyes de derechos de autor, patentes, marcas registradas u otros derechos de propiedad intelectual. Dichos contenidos y servicios son únicamente para fines no comerciales. No se permite el uso de ningún contenido o servicio sin la autorización del propietario del contenido o del proveedor del servicio.

Nuestra empresa no asumirá ninguna responsabilidad por ninguna pérdida o daño directo, indirecto o accidental causado por el acceso de usted o de un tercero a cualquier contenido o servicio o cualquier información o software de terceros a través de este equipo, bajo ninguna circunstancia.

El servicio de terceros puede ser cambiado, eliminado o interrumpido sin previo aviso. Nuestra empresa no asegura ni garantiza la disponibilidad continua de algún servicio o contenido dentro de cualquier período determinado.

Nuestra empresa no se hace responsable de los servicios relacionados con dicho servicio y contenido. Además, no asumimos ninguna responsabilidad por el servicio prestado al cliente. Póngase en contacto directamente con los proveedores de contenido y servicios pertinentes si tiene algún problema o una solicitud en relación con el servicio o contenido en cuestión.

Solución de problemas

- **En la pantalla del TV se ve lluvia y además, el TV hace ruido.**
 1. Verifique si el enchufe de la antena está suelto o si el cable no está en buen estado.
 2. Verifique el tipo de antena (VHF/UHF).
 3. Ajuste la orientación y posición de la antena.
 4. Intente utilizar un amplificador de señal.
- **No hay imagen ni sonido en la pantalla. La luz indicadora está apagada.**

Verifique si el suministro de alimentación está conectado.
- **La imagen del TV tiene puntos, líneas o rayas de interferencia.**

No utilice un secador de cabello cerca del televisor y ajuste la orientación de la antena para reducir la interferencia.
- **La pantalla del TV tiene imágenes dobles.**
 1. Utilice una antena en una posición alta.
 2. Ajuste la orientación de la antena.
- **La imagen no tiene color.**

Pulse el botón [≡] y seleccione **Picture > Saturation** (Imagen > Saturación) para aumentar la saturación del color.
- **El TV no tiene sonido.**
 1. Ajuste el volumen a un nivel adecuado.
 2. Pulse el botón [M] en el control remoto para cancelar el modo silencio.
- **No se muestran las imágenes de entrada de señal en la pantalla. La luz indicadora titila.**
 1. Verifique si el cable de señal está suelto o si se cae. Vuelva a conectar el cable.
 2. El dispositivo puede estar en modo de espera, reinícielo.
- **La distancia del control remoto es corta o está fuera de alcance.**
 1. Mueva el objeto que bloquee el sensor receptor.
 2. Reemplace las baterías.
- **El navegador no puede acceder a ningún enlace.**
 1. Solicite al administrador de la red que obtenga la dirección IP disponible y otros parámetros.
 2. Compruebe si el cable de conexión de red está correctamente conectado.
 3. Consulte con el proveedor de servicios de red.

- **La reproducción de video en línea es muy lenta.**
 1. Actualice el ancho de banda de su red a uno superior.
 2. Reemplace con otras direcciones para obtener mejores recursos.
- **El televisor está lento y el sistema falla. No se puede usar el televisor.**

Desconecte primero la fuente de alimentación y conéctela después de 1 o 2 minutos. Luego vuelva a encender el televisor.

Especificaciones técnicas

Unidad

Resolución máx.	3840 × 2160
Fuente de alimentación	100-240 V CA, 50/60 Hz
Consumo de energía del altavoz	15W+15W
Entorno de funcionamiento:	
Temperatura	5 °C ~ 40 °C
RH (humedad relativa)	20% ~ 80%
Presión atmosférica	86 kPa ~ 106 kPa
Entorno de almacenamiento:	
Temperatura	-20 °C ~ 55 °C
RH (humedad relativa)	20% ~ 80%
Presión atmosférica	86 kPa ~ 106 kPa

Dimensiones (largo × ancho × alto) y peso
75"

Sin base	Sin empaque: 1669 × 103 × 958(mm ³)
Base incluida	Sin empaque: 1669 × 353 × 1020(mm ³)
	Empaque: 1840 × 173 × 1095(mm ³)
	Peso neto: 29.2kg Peso bruto: 37.9kg

86"

Sin base	Sin empaque: 1924 × 106 × 1103(mm ³)
Base incluida	Sin empaque: 1924 × 442 × 1183(mm ³)
	Empaque: 2080 × 220 × 1270(mm ³)
	Peso neto: 37.2kg Peso bruto: 48.3kg

Especificaciones técnicas del TV

1. Estándar soportado:
ATV: NTSC M/N.
DTV: ATSC.
2. Entrada de antena: Coaxial de 75Ω, no balanceada.
3. Entrada de video AV: 75 Ω, 1±0.1Vp-p, terminal RCA.
4. Entrada de audio AV: 20 kΩ, 0.2 ~ 2 V rms.
5. Entrada de video HDMI: 480i, 480P, 576i, 576P, 720P, 1080i, 1080P, 2160P.

6. Capacidad de memoria interna específica de acuerdo con la configuración real.
7. Capacidad de caché específica de acuerdo con la configuración real.
8. Conexión inalámbrica: Wi-Fi (IEEE 802.11 b/g/n).

Gestión de energía

Modo	Consumo de energía	
	75"	86"
Funcionamiento normal	≤255W	≤365W
En espera	≤0.5W	≤0.5W

Nota: Si activa la función **WoW/WoL/WoC**, el consumo máximo de energía del televisor en modo de espera no supera 1 W.

Modo de visualización HDMI

Modo de video			
Nro.	Modo	Resolución	Frecuencia de actualización
1	SD	720 × 480i/p	60 Hz
2		720 × 576i/p	50 Hz
3	HD	1280 × 720p	50 Hz
4			60 Hz
5	FHD	1920 × 1080i/p	50 Hz
6			60 Hz
7	UHD	3840 × 2160p	24 Hz
8			25 Hz
9			30 Hz
10			50 Hz
11			60 Hz

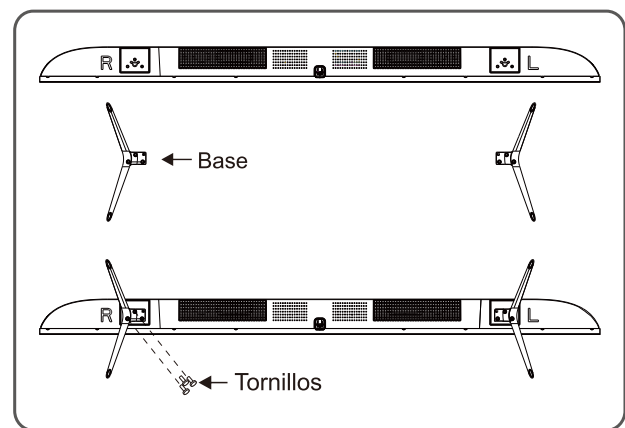
Importante: En el modo UHD, la velocidad de actualización de 50 y 60 Hz solo es efectiva en la versión 2.0/2.1 de HDMI.

Modo VESA			
Nro.	Modo	Resolución	Frecuencia de actualización
1	VGA	640 × 480	60 Hz
2	SVGA	800 × 600	60 Hz
3	XGA	1024 × 768	60 Hz
4	SXGA	1280 × 1024	60 Hz
5	WXGA	1600 × 900	60 Hz
6	WUXGA	1920 × 1080	60 Hz
7	4K	3840 × 2160	30 Hz
8			60 Hz

Importante: En el modo 4K, la frecuencia de actualización de 60 Hz solo es efectiva en la versión 2.0/2.1 de HDMI.

Instrucciones para la instalación en base

Coloque el TV en una superficie plana. Asegúrese de distinguir entre la derecha e izquierda de la base y entre la parte delantera y posterior de la base, luego inserte las bases en las ranuras de la parte inferior del TV de acuerdo a la dirección de la flecha en la figura. Alinee los orificios de los tornillos y asegúrese de atornillarlos firmemente (tenga en cuenta que el módulo de la base debe ajustarse según se muestra en la figura, de lo contrario la instalación será incorrecta).



Importante: La apariencia real de la base y del televisor puede ser diferente a la de las imágenes mostradas; remítase el dispositivo real.

Instalación del soporte de pared

Advertencia

- Adquiera un soporte de pared adecuado para el televisor cuando lo instale en la pared.
- Asegúrese de que la capacidad de carga de la pared para la instalación del soporte de pared no sea inferior a 4 veces el peso del televisor y del soporte de pared para evitar que se caiga.
- Si desea más información sobre la instalación del soporte de pared, consulte las instrucciones proporcionadas con el televisor y el soporte de pared.
- Asegúrese de que no haya ningún cable o conducto en el área de la pared donde se instalará el soporte de pared.
- Si necesita ayuda con la instalación del soporte de pared, comuníquese con un técnico. La empresa no se hace responsable de accidentes, lesiones o daños personales causados por una instalación inadecuada del televisor.

Distancia entre los orificios en la pared (H x V) (mm)	Tornillos necesarios (longitud de tornillo recomendada) (mm)
75"/86": 500 x 300	Superior: 2 x M8 (20+L1 ≤ L ≤ 27+L1), Tornillos de la máquina Inferior: 2 x M8 (20+L1' ≤ L' ≤ 27+L1'), Tornillos de la máquina

Nota:

- Si encuentra algún tornillo en el orificio del soporte de pared detrás del televisor antes de instalarlo, retire los tornillos y guárdelos para su uso posterior.
- Adquiera tornillos de pared conforme a la instalación real.

