

Letter: **ST-006-2017**

Date: July 5, 2017

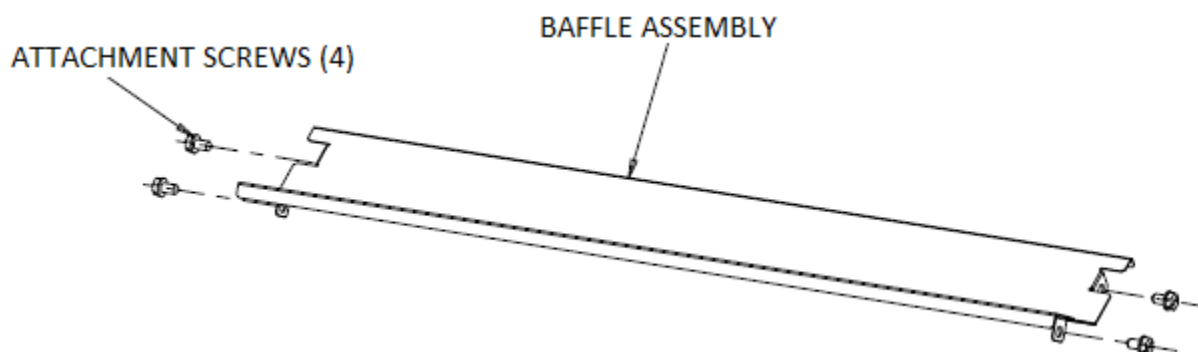
To: All Unitary Products Branch Service, Sales, and Training Managers
All Unitary Products Distribution Service, Sales, and Training Managers

Subject: S1-3732797500* Aluminum Service "A" Coil Horizontal Drain
Pan Attachment

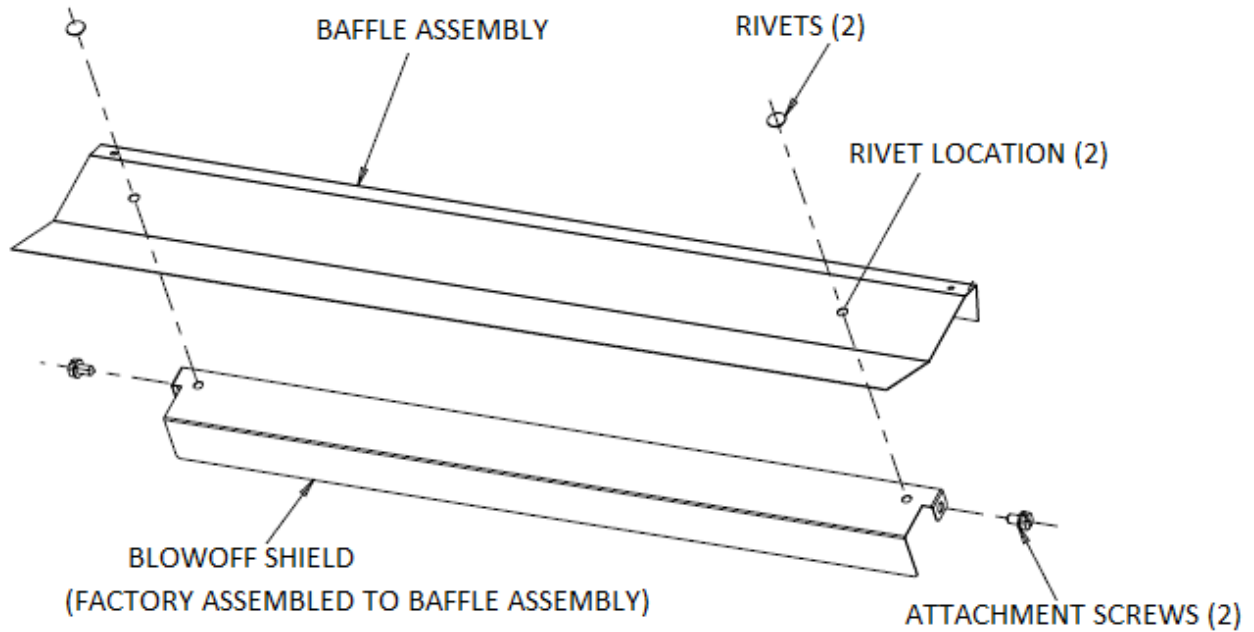
Product: S1-3732797500* Aluminum Service A coils for FC/PC/MC, AHV/AHE/AHR

In 2014 we introduced an aluminum service "A" coil as a service part for some select model FC/PC/MC indoor coils and AHV/AHE/AHR air handling units. There are a total of 7 aluminum service "A" coils currently offered. These 7 service parts cover the majority of all our "A" coil models. Other model "A" coils are replaced with a tin-coated service "A" coil.

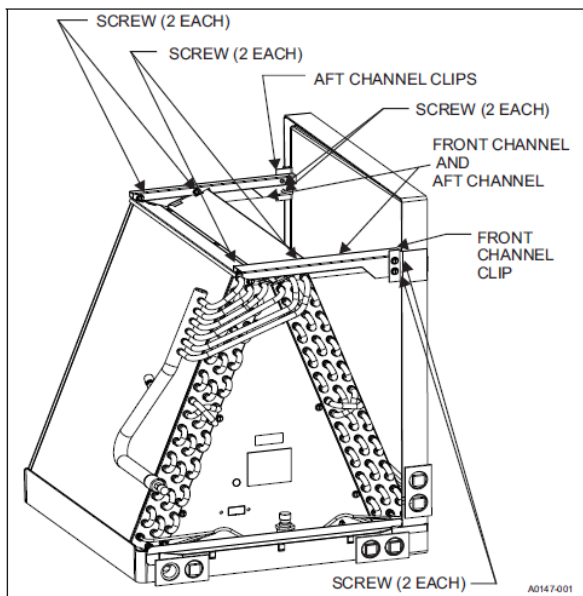
The current aluminum service "A" coil contains a top baffle assembly as shown below.



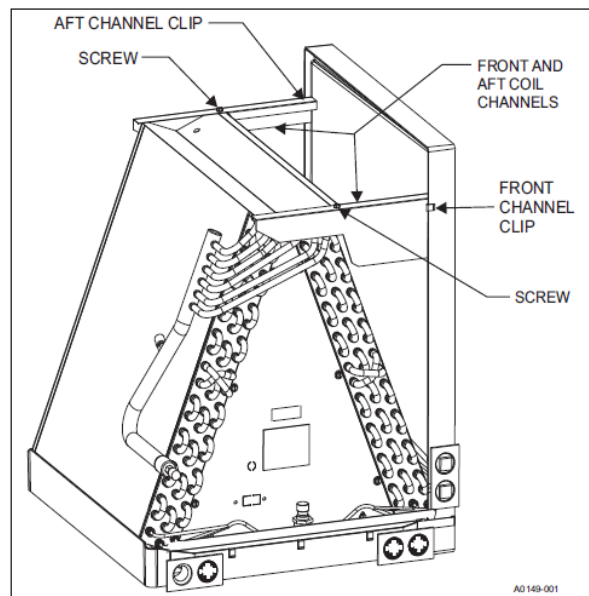
On October 10th, 2012 the MC model indoor coil top baffle was changed to a different style. This required different parts to connect the coil top baffle to the horizontal drain pan. An image of the new style top baffle is shown on the next page.



All MC model indoor coils and AHV/AHE/AHR model air handling units contain a factory installed horizontal drain pan. There are two styles of parts that fasten the coil top baffle assembly to the horizontal drain pan. Style A uses a clamp and screws to attach to the horizontal drain pan. Style B uses a clip to attach to the horizontal drain pan. These parts are referred to as a Condensate Channel Kit. The two different styles are shown below.



STYLE "A"

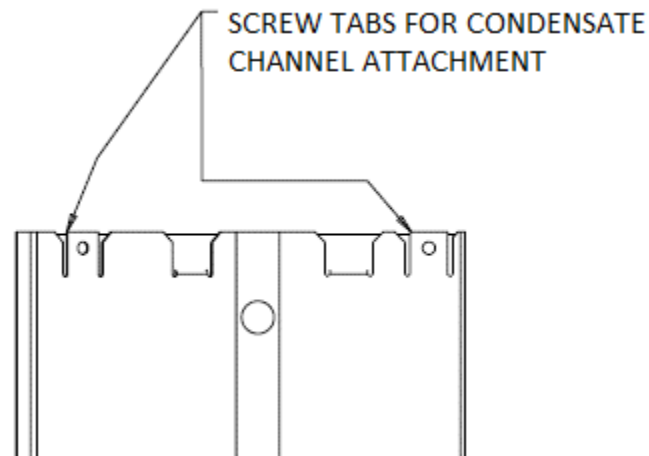


STYLE "B"

If you are replacing a coil in an FC or PC model cabinet, you may use the aluminum service "A" coil as received. If you are using this service coil for a horizontal application

such as in a MC model cabinet or an air handler, the old horizontal drain pan is to be re-used.

If the coil you are replacing has the style "A" condensate channel kit on it, the baffle assembly must be slightly modified. There is a set of tabs on the forward and aft portion of the coil top baffle assembly. These tabs must be bent up at a 90 degree angle to attach the front and rear condensate channel to the coil top baffle. See image below for screw tab location.



If the coil you are replacing has the style "B" condensate channel kit on it, the baffle assembly must be removed from the old coil and installed onto the new service "A" coil. Carefully remove the front and rear coil baffle attachment screws from the service "A" coil. Remove the style A coil baffle assembly and discard it. Remove the style B coil baffle assembly from the old coil. Style "A" has 4 screws and style "B" has two screws. Install the old style B coil baffle assembly onto the new service "A" coil. This will allow attachment of the style B front and rear condensate channels to the new service "A" coil so that the horizontal drain pan can be attached.

We are currently working to change the aluminum service "A" coil top baffle assembly to style B during coil production. We will also ship a new condensate channel kit with each service coil so that no top baffle assembly change will be necessary and the only part needed for re-use is the horizontal drain pan.

If you have any questions, feel free to call your residential distributor support team.

If you have any questions on this feel free to call Factory Direct Northeast Technical Services at 1-855-251-8267 and speak with a technical support representative.

Regards,
Thomas Hoffmaster II
York Factory Direct Northeast
Area Service Manager