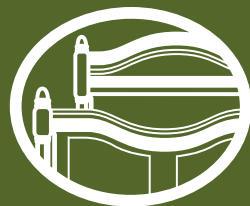


Briarwood

building family heirlooms one bedroom at a time.





Briarwood

building family heirlooms one bedroom at a time.

The classic farm barn has been an American icon since the settling of America. Assembled and erected from solid wood beams using mortise and tenon joinery, these barns remain a symbol of sustainability. While many of yesterday's barns have outlived their practical usefulness, there are almost as many still being utilized throughout the land. Their lifespan is not measured in years, but rather decades and centuries.

The woodworkers and craftsman here at Briarwood look to the symbol of the American barn for its value as a sustainable product, made from quality materials and constructed using superior methods. There is a lot one can learn when looking at these iconic structures. The same can be said about every Briarwood bedroom collection. We use only solid wood—not pressed wood; mortise and tenon joinery—not butt joints. And like the classic American barn, the lifespan of our furniture is built to be measured in decades and centuries. We don't just build bedrooms, we build family heirlooms.

In Briarwood's marketing materials, you may notice there is a classic farm barn featured in the backdrop because of what it represents. What you might not know is that this particular barn was built by ancestors of Briarwood, and the Troyer family, in 1862 and is still being used daily by a fourth-generation farmer in the family.

Each new design—like all of our beds—is designed to accommodate individual taste and needs. Each style comes in Twin, Full, Queen and King sizes. Each bed also can be customized to meet storage or design needs. Select our standard bed, with a standard or low footboard, or take advantage of our Rail or Footboard Drawers for extra storage. Collections also include a matching or complementary dresser, chest, nightstand, and mirror. All of our collections are available in six standard species of wood. The wood can then be finished in a number of stains to best match specific preferences, as well as existing bedroom furnishings and decor.

We also offer an extensive line of Bunk Beds, with design and styling adapted from many classic Briarwood Collections, such as Classic Mission, Cape Cod, and Camp Teton. These, too, are designed to meet specific needs, including some less common twin-over-full combinations. Classic Daybeds and Bed Seats round out the full line of offerings from Briarwood.

All of Briarwood's Collections are made In U.S.A. Constructed in Holmes County, Ohio in our family-owned facility. When you buy from us, you are supporting more than just our family business. You are supporting the families of everyone involved. From the American timbers we use, to the truckers who deliver our furniture, Briarwood is pleased to be a contributor to the local economy and support small, family-owned businesses.

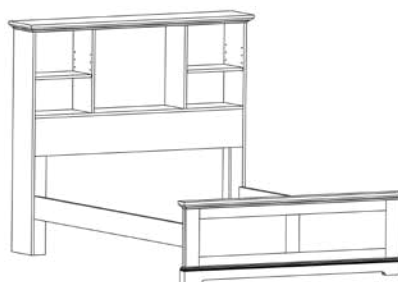
For more information about Briarwood products, or if you are interested in carrying Briarwood Collections in your store, there are opportunities in certain geographic locations. Contact us at 330.359.5161 to learn how we can help you be more profitable within your current retail space.

Table of Contents

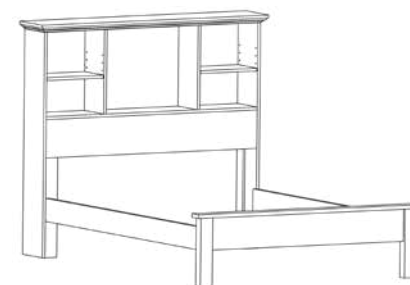
Kanata	6
Conestoga	10
Grand Haven Mission	14
Koehler Creek	18
Loretta	22
Marshfield Shaker	26
Oxford	30
Latrobe Springs	34
Mayfield	38
Newberry	42
Wingate	44
Roxanne	48
Stanton	52
Savannah	56
Cottage Grove	60
Carla Elizabeth	64
Hadley	68
Newberry Panel Bed	72
Pencil Post	74
Bayshore	76
Santa Rosa	78
Classic Mission	80
Centura	82
Millcreek	84
Camp Teton Bunk	86
Colonial Bunk	88
Classic Mission Bunk	90
Cape Cod Bunk	92
Lyndale Daybed with Drawers	94
Lyndale Daybed	95
Classic Mission Daybed	96
Addison Daybed	97
Charlotte Daybed	98
Bed Seats	99
Cleaning & Care	100

With each bed design you get to select... Style, Storage Configuration, Species and Stain Color

The focal point of every Briarwood bedroom collection is the bed. The rest of the collection is designed to accent the bed design and provide additional storage and functionality. Each of our beds is designed to accommodate your individual taste and needs. Each collection offers a bed in Twin, Full, Queen and King sizes. Each bed can also be customized to meet your storage or design needs. Select our standard bed, with a standard or low footboard, or our Rail or Footboard Drawers, for extra storage.



Standard Footboard



Low Footboard



Drawer Rail



Drawer Footboard

Bed Storage Options

You can select any of our bed designs and then decide if you would prefer one of the four options we offer. Selections depend on your individual storage needs, and overall design preference.

Choose from Twin, Full, Queen and King sizes. Then choose a standard or low footboard. Or take advantage of our Rail or Footboard Drawers for extra storage.



Briarwood's Rail and Footboard Drawers are finished inside and out and are constructed with the same quality and attention to detail as the rest of our collections.





Kanata

Collection





The progressive styling of this bedroom set features a bed designed with a spalted maple head and footboard, framed in walnut. The case goods are also spalted maple with walnut tops. Inset drawers feature a recessed shoulder and square walnut drawer pulls. The light and dark wood combination, and its modern styling accents, make this set very attractive in today's market.

Rustic Walnut/Wormy Maple w/ Natural finish

Hardware: K52-B

Kanata

Additional Pieces Not Shown: 7 Drawer Dresser, 5 Drawer Chest,
1 Drawer Night Stand



Bed



9 Drawer Dresser

63.5"W x 43" H x 19"D



6 Drawer Chest

40"W x 53"H x 19"D



3 Drawer Night Stand

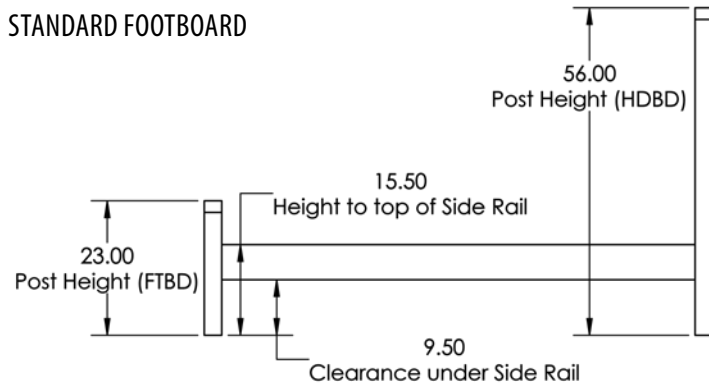
17"W x 26"H x 17"D

Kanata Bed Dimensions

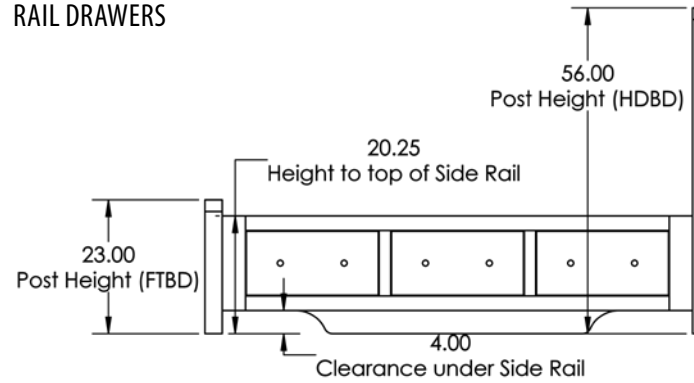
Twin = 45" W x 85" L
Full = 60" W x 85" L

Queen = 66" W x 90" L
King = 82" W x 90" L

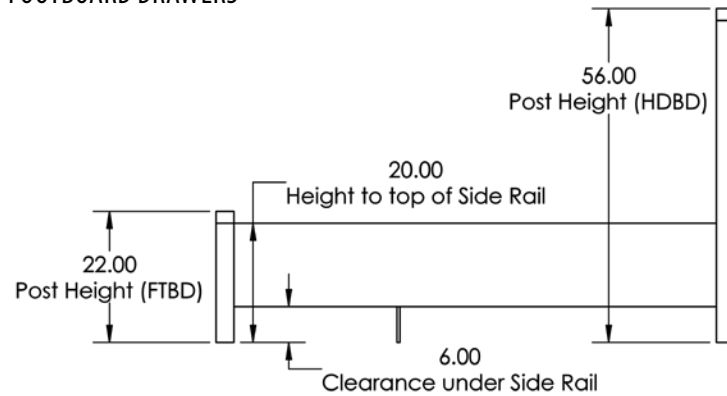
STANDARD FOOTBOARD



RAIL DRAWERS



FOOTBOARD DRAWERS



Conestoga

Collection





Reminiscent of a bygone era when hard-working Conestoga wagons traversed the rough and dangerous mountain passes of Appalachia, our Conestoga Bedroom Collection revives the spirit of rugged beauty. Like its namesake, this collection offers a fresh yet rugged look for today while restfully transforming to circa 1800s. From the dark finish (as shown) to the braced headboard and drawer fronts to the rugged black pulls, this set is truly the rustic bedroom you've always wanted!

Roughsawn Oak w/Warm Brown; Hardware: K3273 BL

Conestoga

Additional Pieces Not Shown: 7 Drawer Dresser, 6 Drawer Chest, 5 Drawer Chest,
1 Drawer Night Stand



Bed



9 Drawer Dresser
64"W x 44.75" H x 19.5"D



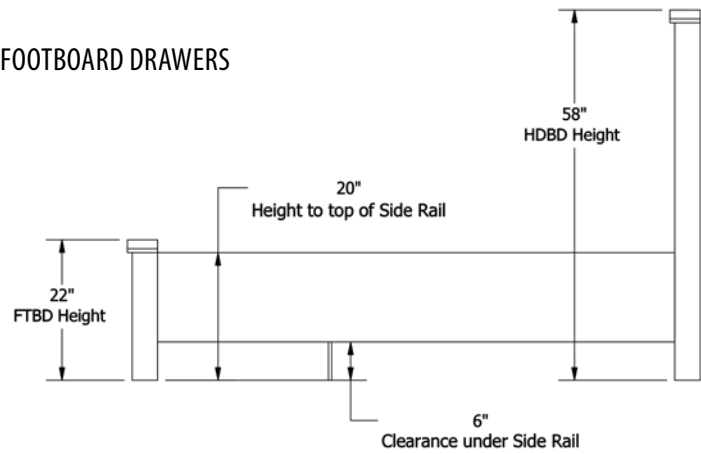
3 Drawer Night Stand
26"W x 28" H x 17.5"D

Conestoga Bed Dimensions

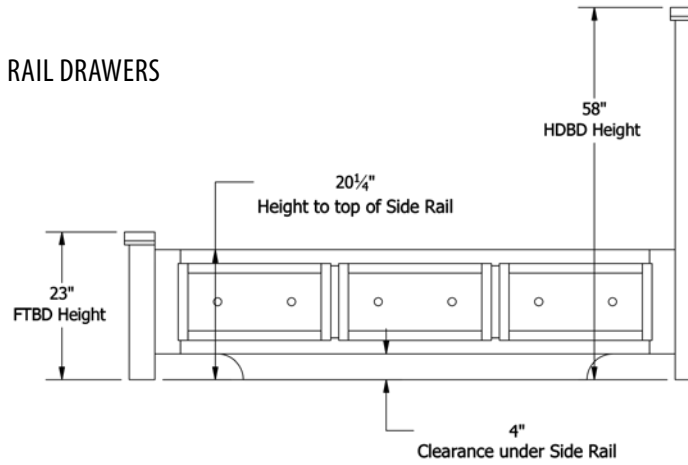
Twin = 47" W x 84³/₄" L
Full = 62" W x 84³/₄" L

Queen = 68" W x 89³/₄" L
King = 84" W x 89³/₄" L

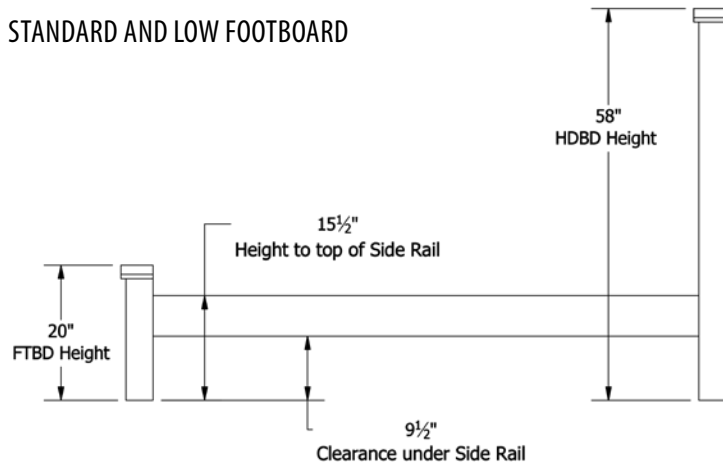
FOOTBOARD DRAWERS



RAIL DRAWERS



STANDARD AND LOW FOOTBOARD



Grand Haven Mission

Collection





One of the most majestic mission beds on the market today, this bed has been a best seller for many years. The mission design dates back to the pre-1900s, and although its popularity ebbs and flows, this collection will never go out of style. Details in the design of the feet and hardware add to this collection's appeal.

**Quartersawn White Oak w/ OCS-113 Michaels
Hardware: K2980 DACM**



Grand Haven Mission

Additional Pieces Not Shown: 7 Drawer Dresser, 5 Drawer Chest, 1 Drawer Night Stand



Bed



9 Drawer Dresser
60"W x 45"H x 19"D



6 Drawer Chest
40"W x 54"H x 19"D



3 Drawer Night Stand
26"W x 30"H x 17"D

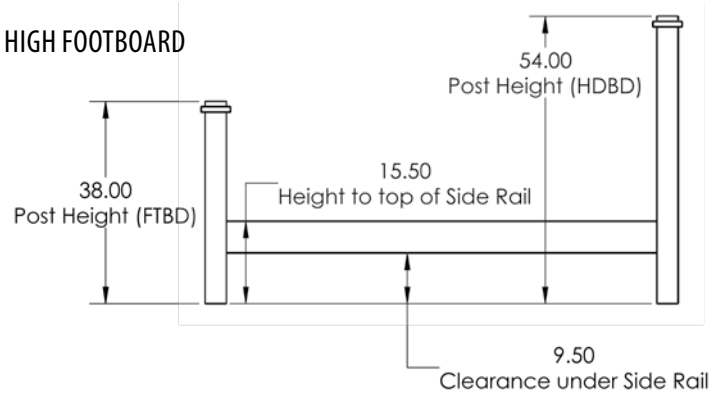
Grand Haven Mission

Bed Dimensions

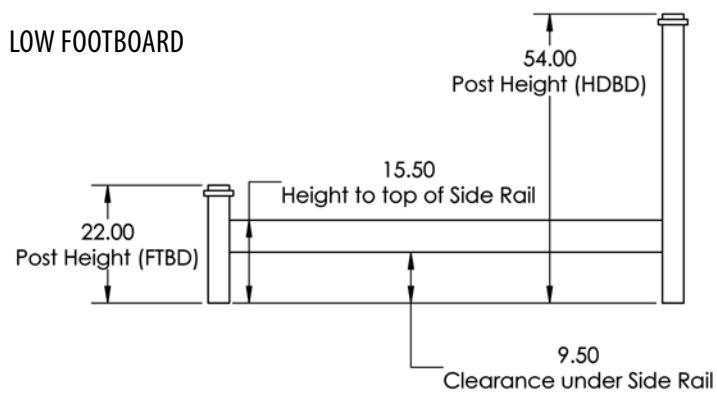
Twin = 45"W x 85" L
Full = 60"W x 85" L

Queen = 66"W x 90" L
King = 82"W x 90" L

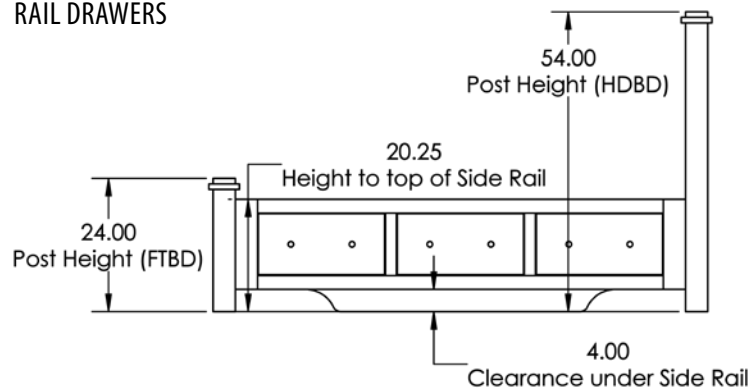
HIGH FOOTBOARD



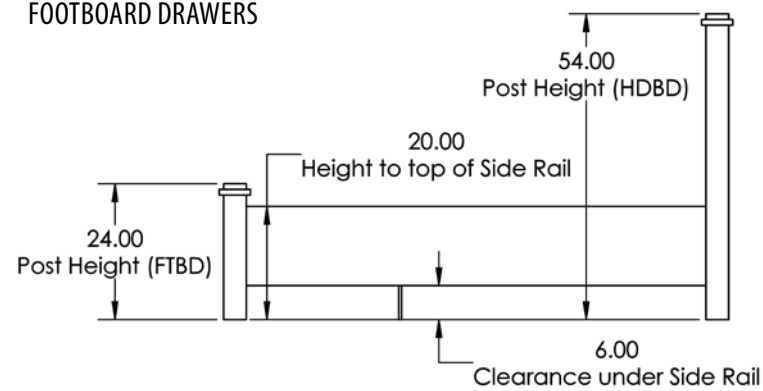
LOW FOOTBOARD



RAIL DRAWERS




FOOTBOARD DRAWERS



Koehler Creek

Collection





The distinct high headboard and rustic details of the Koehler Creek bed catch your eye in a way that is nearly irresistible. The Koehler Creek's heavy rails look great with Footboard Drawers. Post frame construction and just the right hardware make the entire collection an instant classic.

**Rustic Quartersawn White Oak w/ FC-N3037 Tavern
Hardware: P2174-OBH & P2170-OBH**

Koehler Creek

Additional Pieces Not Shown: 7 Drawer Dresser, 5 Drawer Chest,
1 Drawer Night Stand



Bed



9 Drawer Dresser

62.5"W x 44"H x 19.5"D



6 Drawer Chest

39"W x 54"H x 19.5"D



3 Drawer Night Stand

24.5"W x 27"H x 17"D

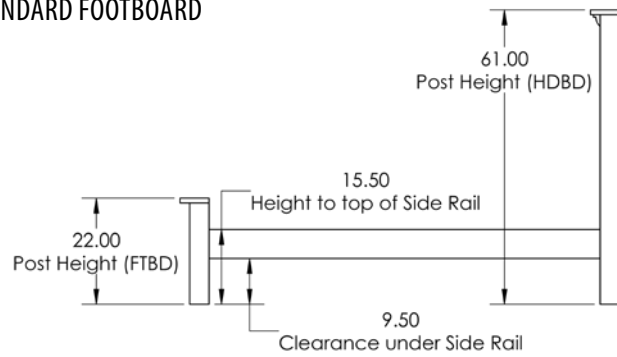
Koehler Creek

Bed Dimensions

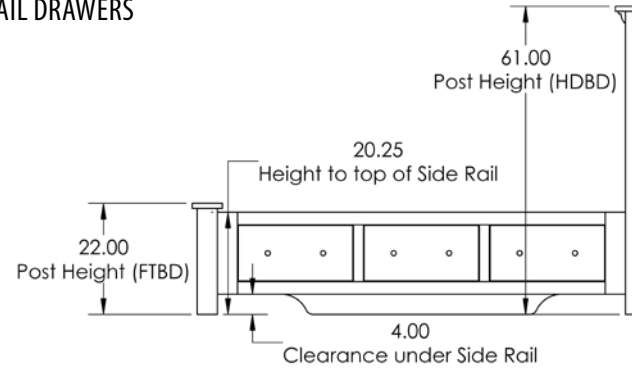
Twin = 47" W x 85" L
Full = 62" W x 85" L

Queen = 68" W x 90" L
King = 84" W x 90" L

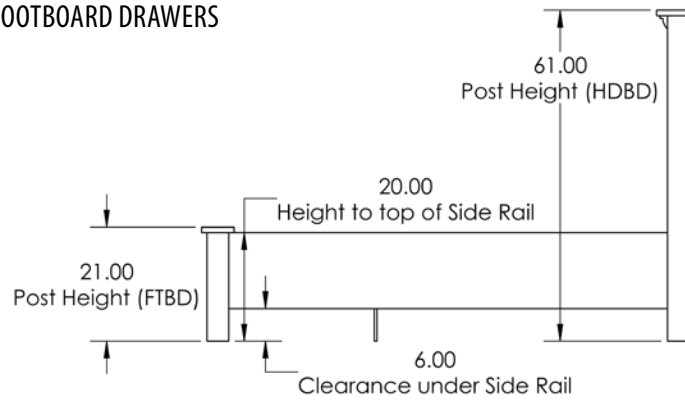
STANDARD FOOTBOARD



RAIL DRAWERS



FOOTBOARD DRAWERS



Loretta

Collection





This Loretta panel bed puts a new twist on a classic look. The Loretta's corner posts hint of a classic mission design, while the panels in the head and footboard reflect the styling of heavier more rustic designs. This bed looks right at home amongst all of the elements of our Koehler Creek Collection.

**Rustic Quartersawn White Oak w/ FC-N3037 Tavern
Hardware: P2174-OBH & P2170-OBH**

Loretta

Additional Pieces Not Shown: 7 Drawer Dresser, 5 Drawer Chest, 1 Drawer Night Stand



Bed



9 Drawer Dresser
62.5"W x 44"H x 19.5"D



6 Drawer Chest
39"W x 54"H x 19.5"D



3 Drawer Night Stand
24.5"W x 27"H x 17"D

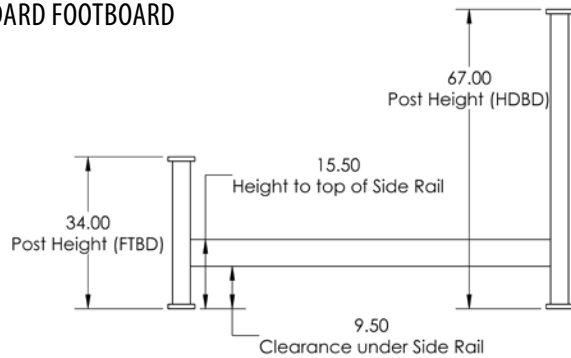
Loretta

Bed Dimensions

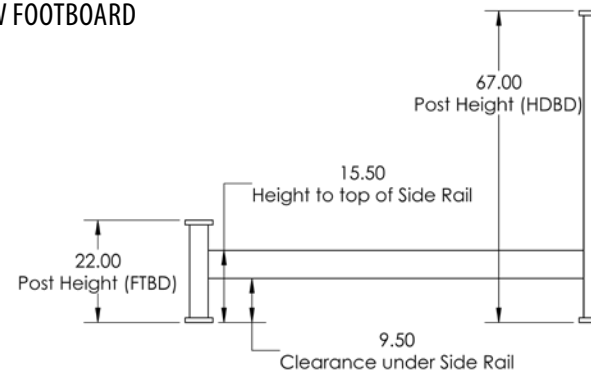
Twin = 47"W x 87"L
 Full = 62"W x 87"L

Queen = 68"W x 92"L
 King = 84"W x 92"L

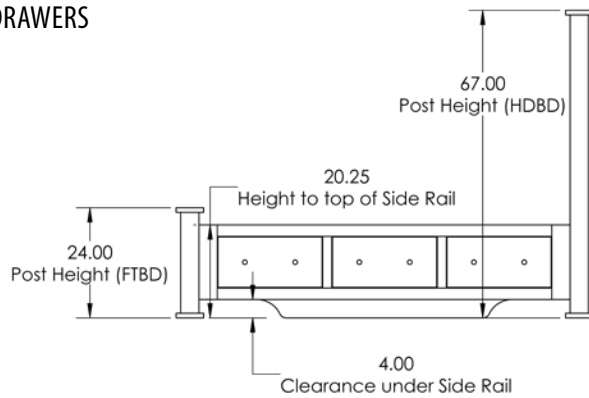
STANDARD FOOTBOARD



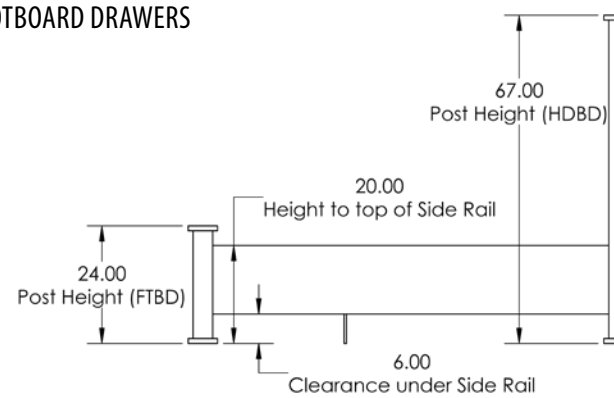
LOW FOOTBOARD



RAIL DRAWERS



FOOTBOARD DRAWERS



Marshfield Shaker

Collection





The clean lines of the Marshfield Shaker bed are clearly inspired by classic American Shaker designs. This collection is another timeless classic from Briarwood.

Sap Cherry w/ OCS 108
Hardware: KR 15C

Marshfield Shaker

Additional Pieces Not Shown: 9 Drawer Dresser, 5 Drawer Chest, 3 Drawer Night Stand



Bed



7 Drawer Dresser
61.5"W x 35.25"H x 19.5"D



6 Drawer Chest
38"W x 55.25"H x 19.5"D



1 Drawer, 1 Door Night Stand
23.5"W x 29.25"H x 17"D

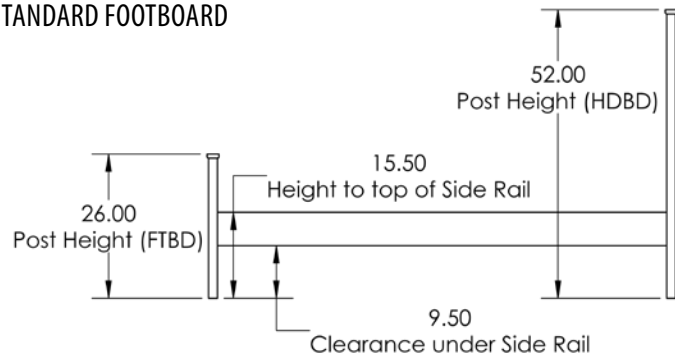
Marshfield Shaker

Bed Dimensions

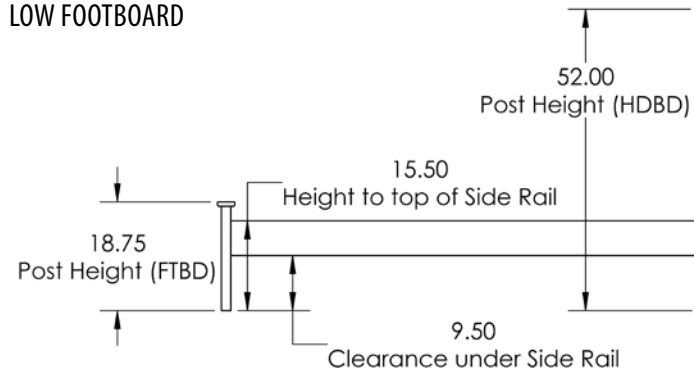
Twin = 45" W x 81" L
 Full = 60" W x 81" L

Queen = 66" W x 86" L
 King = 82" W x 86" L

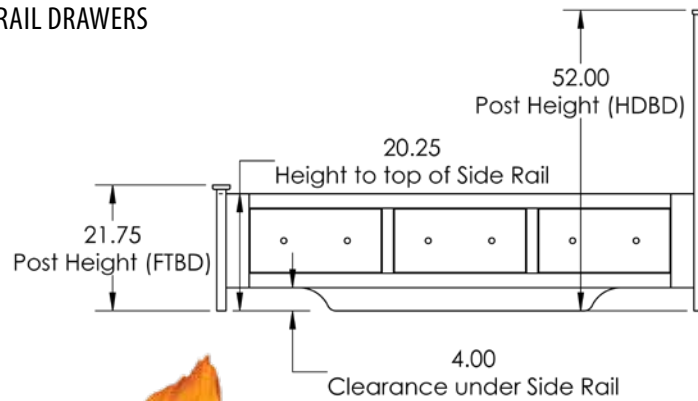
STANDARD FOOTBOARD



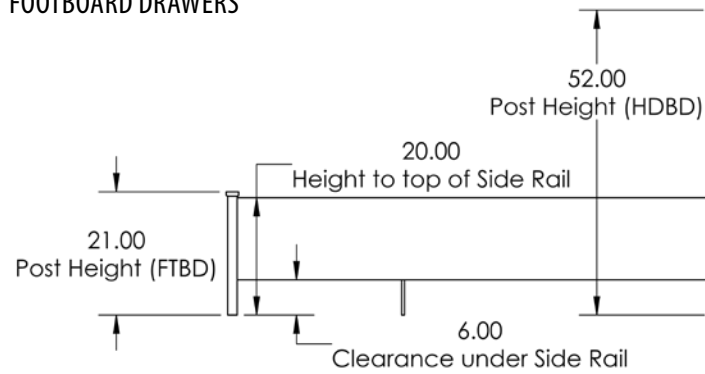
LOW FOOTBOARD



RAIL DRAWERS



FOOTBOARD DRAWERS



Oxford

Collection





The traditional stylings of the Oxford bed feature an arched head and footboard design. Shown here in Cherry with our popular rail drawers, this bed is a show stopper. The Oxford Collection features expressive drawer fronts and reflects the unique arched shape of the head and footboard in the base of each piece.

Sap Cherry w/ OCS 104 Seely finish
Hardware: D521-BC & D523-BC

Oxford

Additional Pieces Not Shown: 7 Drawer Dresser, 5 Drawer Chest, 3 Drawer Night Stand



Bed



9 Drawer Dresser

62.5"W x 44.5"H x 19.5"D



6 Drawer Chest

39"W x 54.5"H x 19.5"D



1 Drawer, 2 Door Night Stand

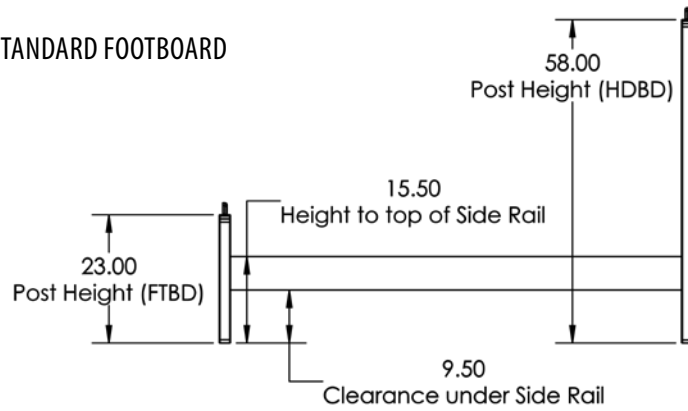
24.5"W x 28.5"H x 17"D

Oxford Bed Dimensions

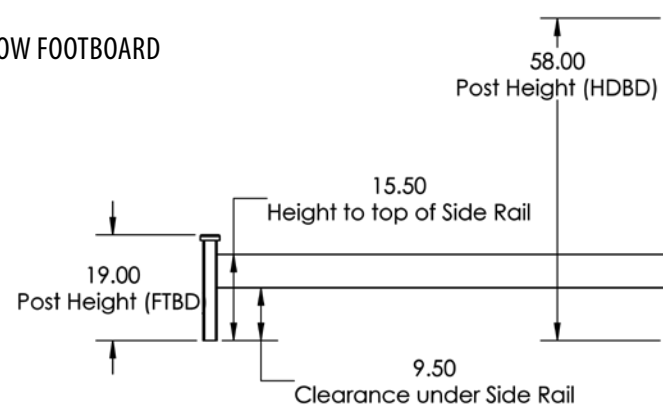
Twin = 45" W x 80" L
Full = 60" W x 80" L

Queen = 66" W x 85" L
King = 82" W x 85" L

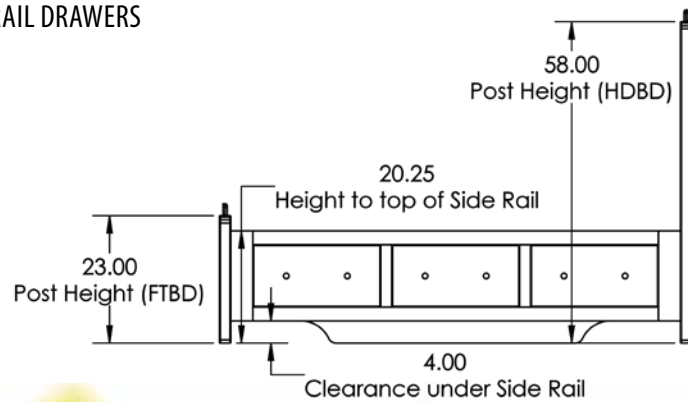
STANDARD FOOTBOARD



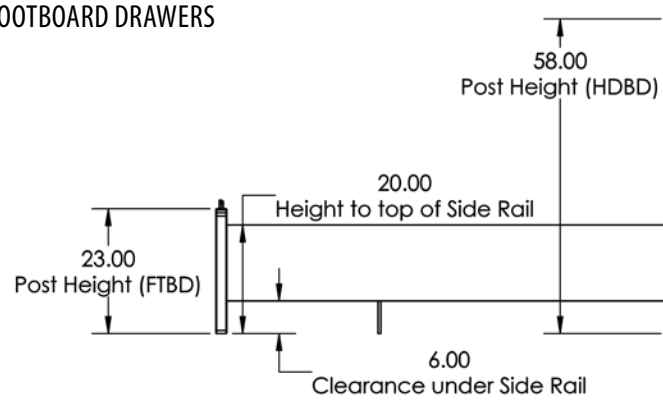
LOW FOOTBOARD



RAIL DRAWERS

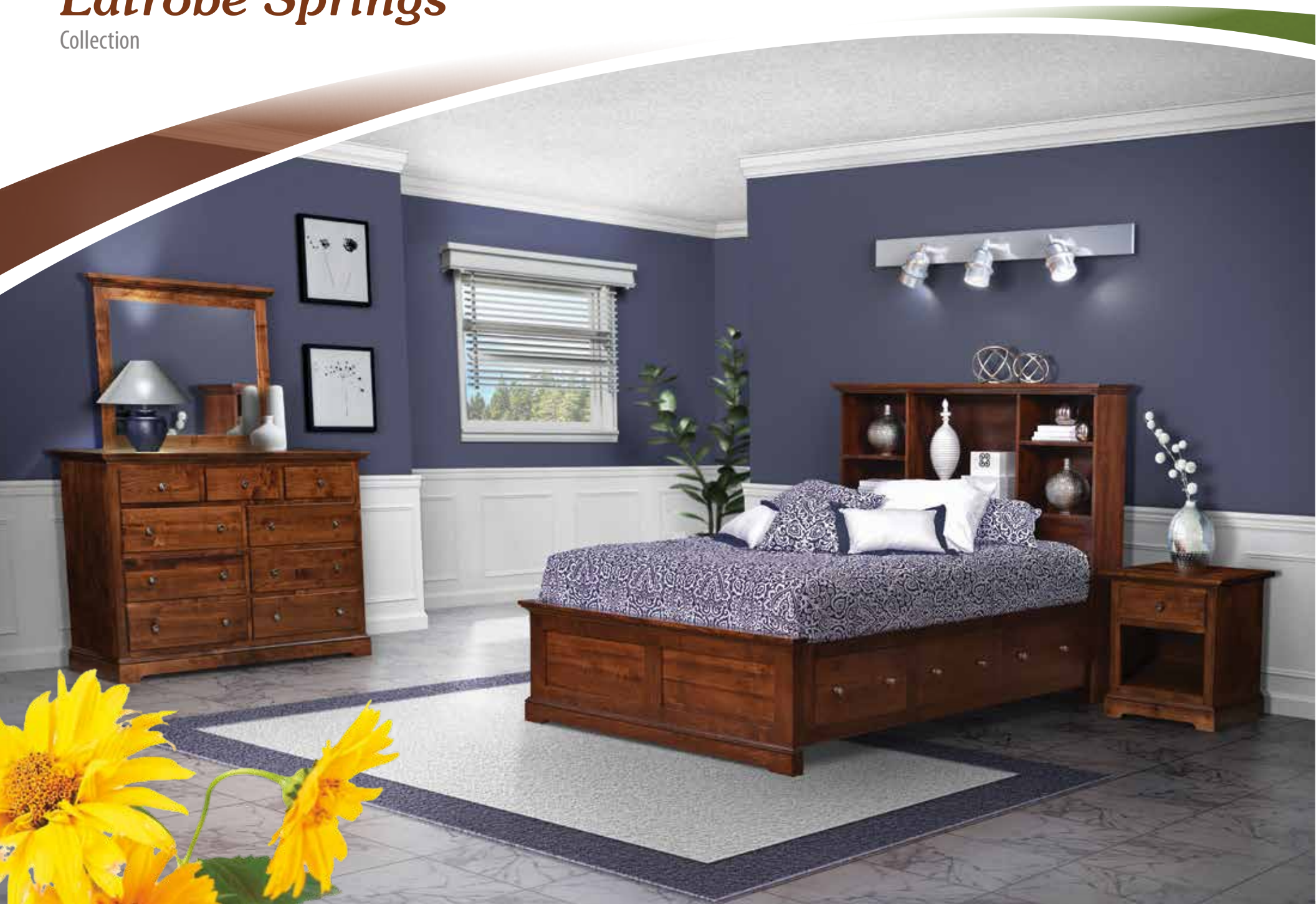


FOOTBOARD DRAWERS



Latrobe Springs

Collection





This design features lots of storage options. If storage in the headboard is not enough, you might consider the optional side rail drawers. The details in the footboard take the Latrobe Springs bed beyond functional, making it perfect for any bedroom in your home.

Brown Maple w/ OCS-228 Rich Tobacco
Hardware: 2370 PWT

Latrobe Springs

Additional Pieces Not Shown: 7 Drawer Dresser, 6 Drawer Chest, 5 Drawer Chest, 3 Drawer Night Stand



Bed



9 Drawer Dresser
62.5"W x 43.25" H x 21"D



1 Drawer Night Stand
24.5"W x 26.25"H x 19"D

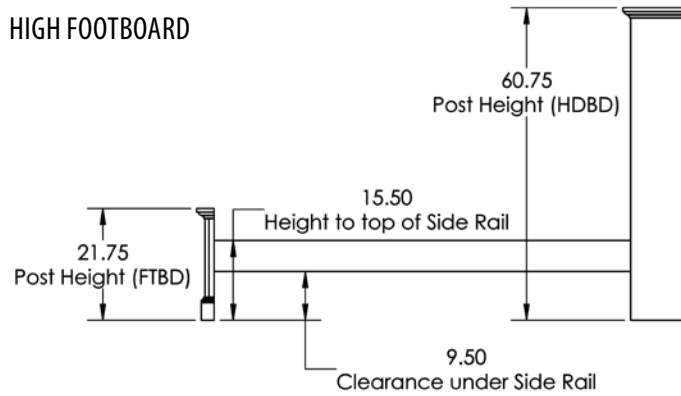
Latrobe Springs

Bed Dimensions

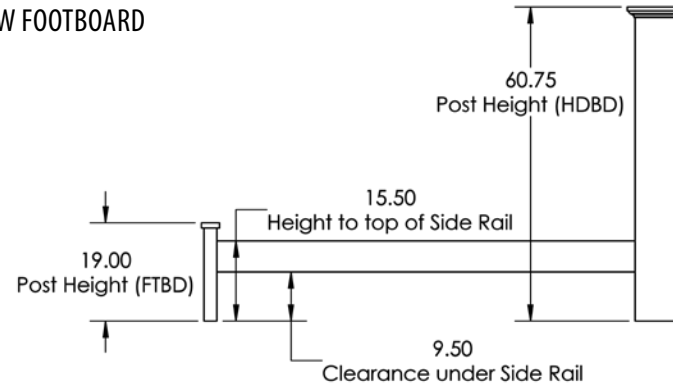
Twin = 46" W x 90" L
 Full = 61" W x 90" L

Queen = 67" W x 95" L
 King = 83" W x 95" L

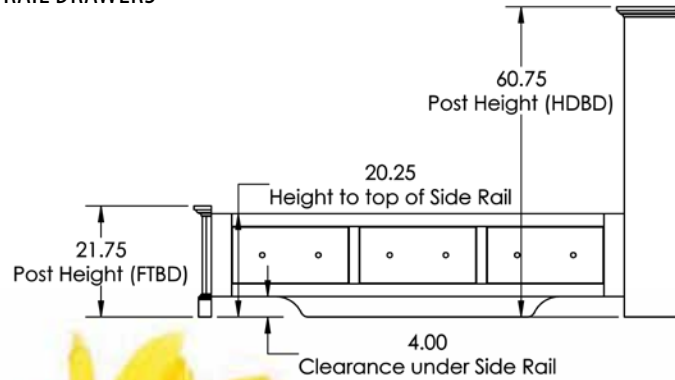
HIGH FOOTBOARD



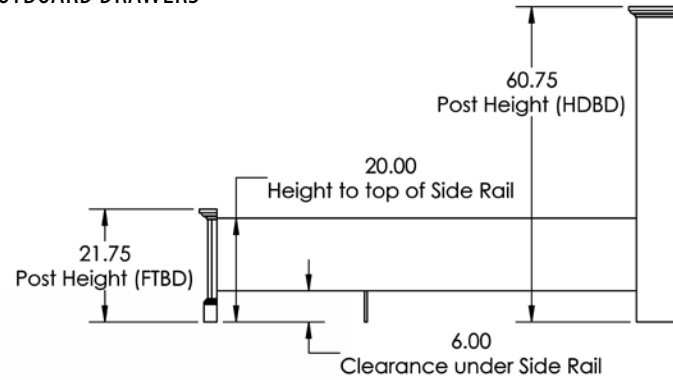
LOW FOOTBOARD



RAIL DRAWERS

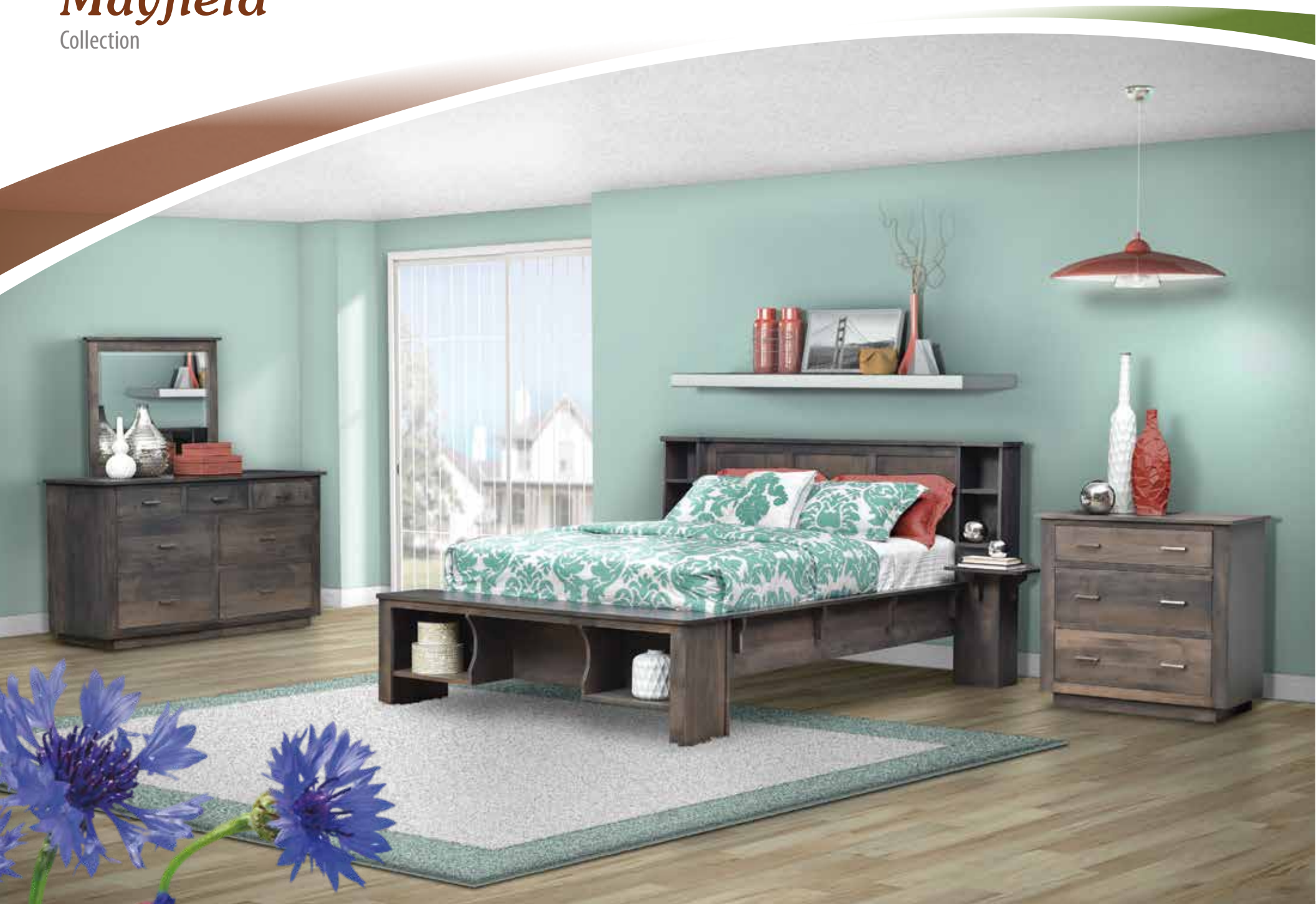


FOOTBOARD DRAWERS



Mayfield

Collection





With storage in the headboard and footboard, the Mayfield is an extremely functional choice. Its low profile, straight lines, and decorative rail create a very contemporary, yet casual look. Also unique to the Mayfield Collection is a oversized bedside chest in place of the more traditional nightstand.

Brown Maple w/ OCS-118
Hardware: 36570 G10

Mayfield

Additional Pieces Not Shown: 6 Drawer Chest, 5 Drawer Chest,
1 Drawer 2 Door Bedside Chest



Bed



9 Drawer Dresser

62"W x 44.25"H x 21"D



5 Drawer Chest

38"W x 43.25"H x 21"D



3 Drawer Bedside Chest

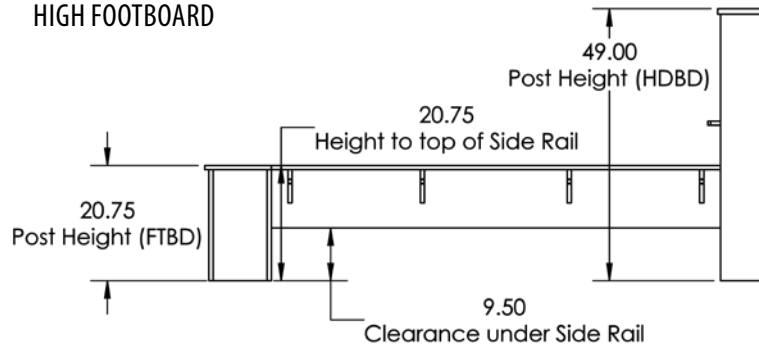
33"W x 33.75"H x 19"D

Mayfield Bed Dimensions

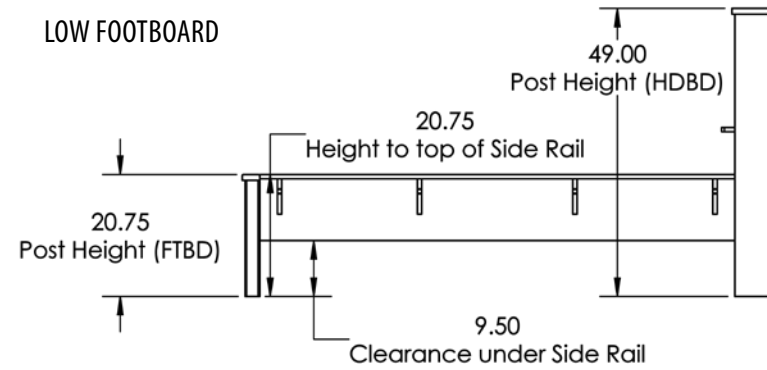
Twin = 60"W x 93" L
Full = 75"W x 93" L

Queen = 81"W x 98" L
King = 97"W x 98" L

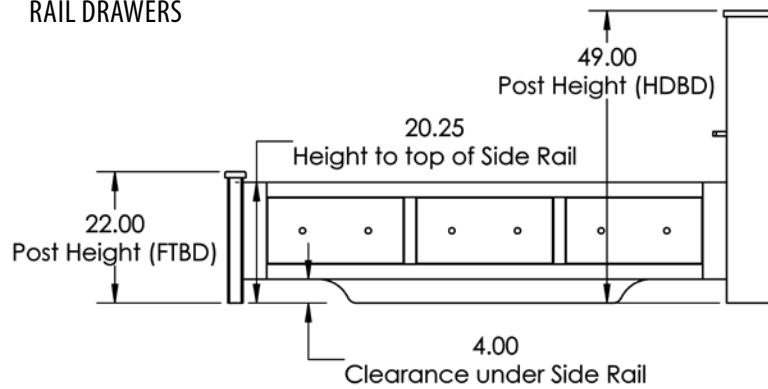
HIGH FOOTBOARD



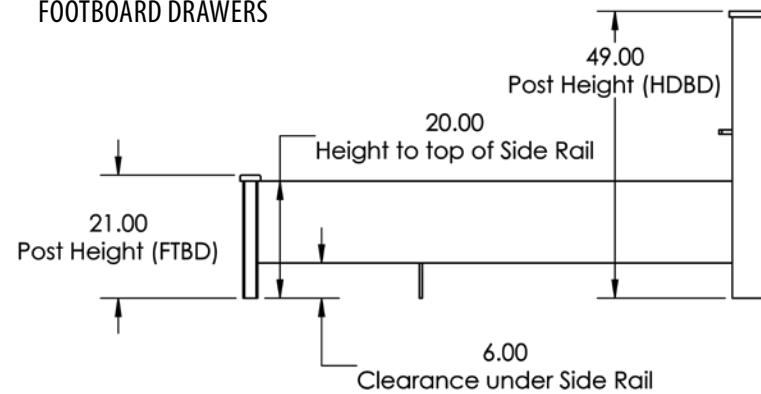
LOW FOOTBOARD



RAIL DRAWERS



FOOTBOARD DRAWERS



Newberry

Collection

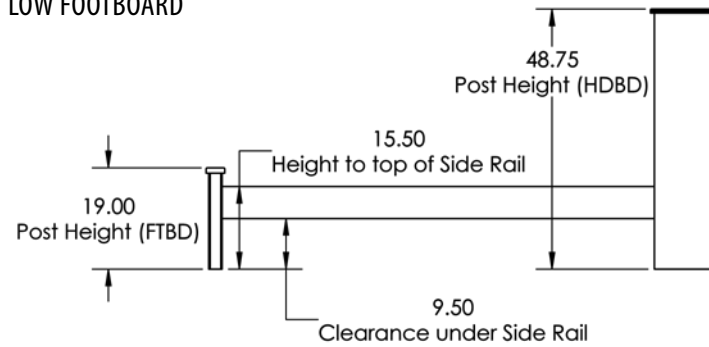


Newberry Bed Dimensions

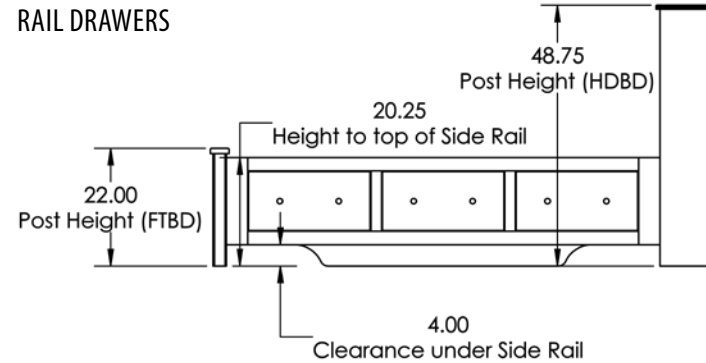
Twin = 45" W x 90" L
Full = 60" W x 90" L

Queen = 66" W x 95" L
King = 82" W x 95" L

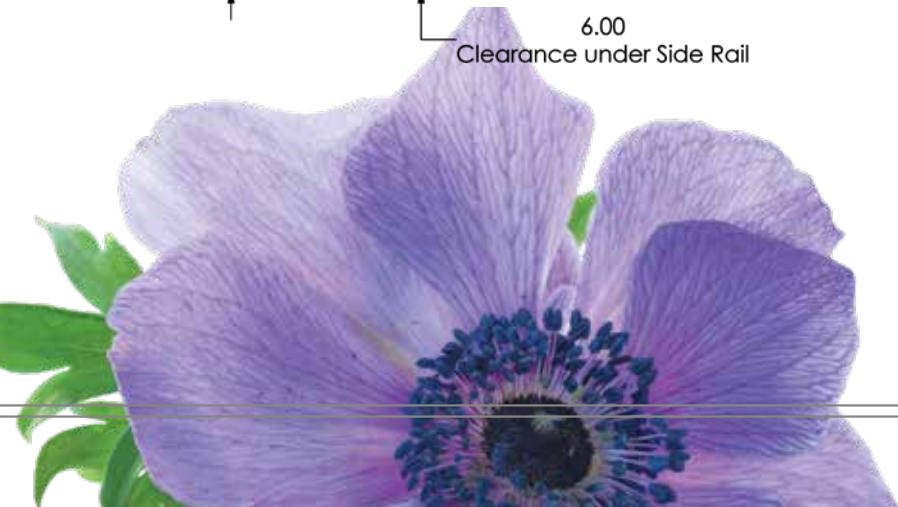
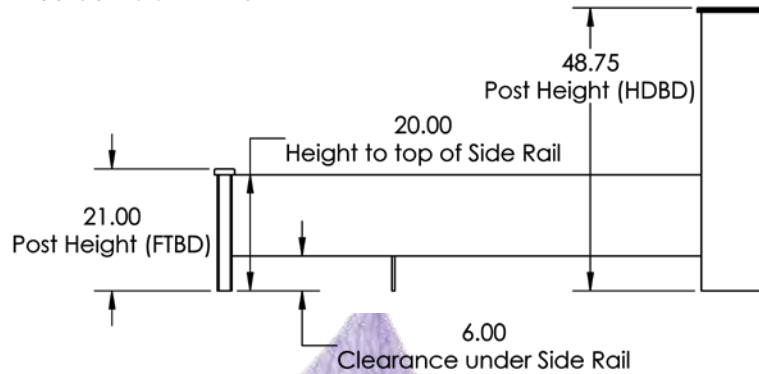
LOW FOOTBOARD



RAIL DRAWERS



FOOTBOARD DRAWERS



Wingate

Collection





Distinctive is the word that comes to mind when you try to describe our Wingate Collection. Ornate detail work on every piece, unique waistline under the top row of drawers, and a decorative headboard and footboard make this exquisite collection far beyond ordinary. Right down to the bun feet, no detail was overlooked.

Brown Maple w/ FC28188 Cloudy Maple
Hardware: K6303 SIM

Wingate

Additional Pieces Not Shown: 9 Drawer Dresser, 5 Drawer Chest,
1 Drawer Night Stand



Bed*



7 Drawer Dresser*

63.5"W x 38.5"H x 21.5"D



6 Drawer Chest*

39.25"W x 60"H x 21.25"D



3 Drawer Night Stand*

24.75"W x 32.5"H x 19.25"D

*Shown in Oak w/ Rich Cherry

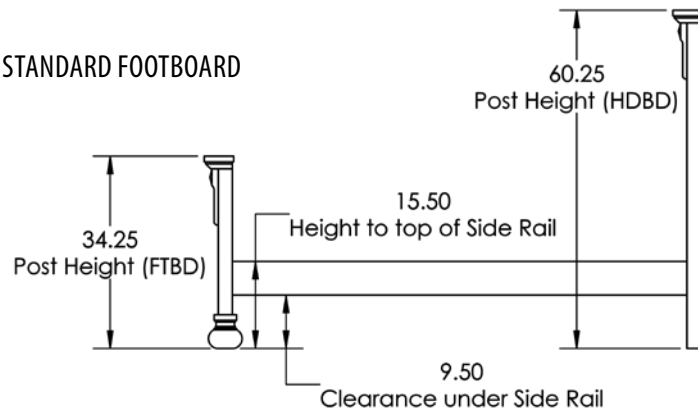
Wingate

Bed Dimensions

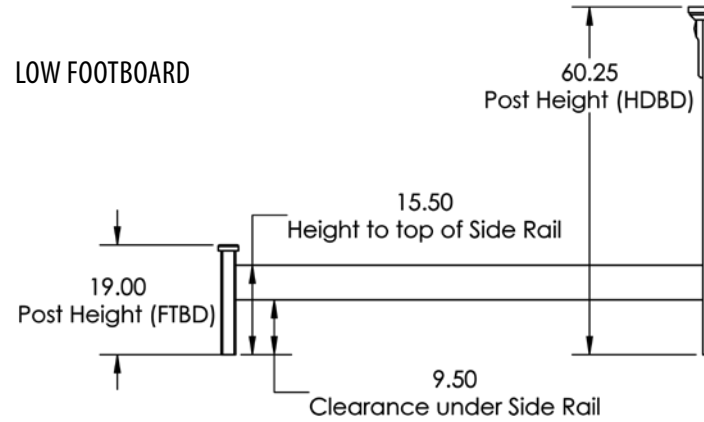
Twin = 48" W x 83" L
 Full = 63" W x 83" L

Queen = 69" W x 89" L
 King = 85" W x 89" L

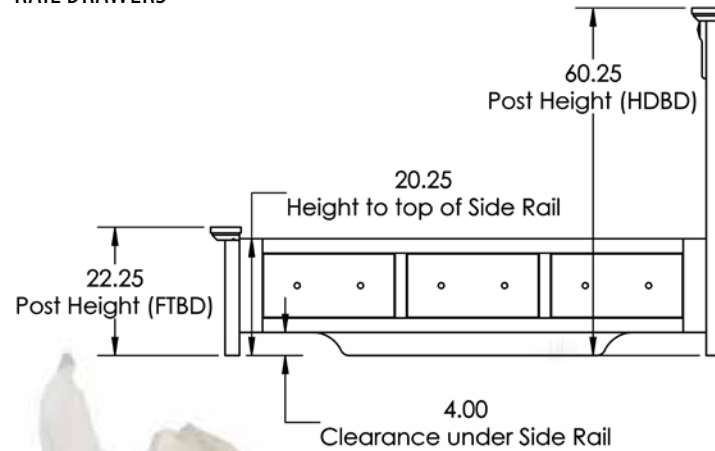
STANDARD FOOTBOARD



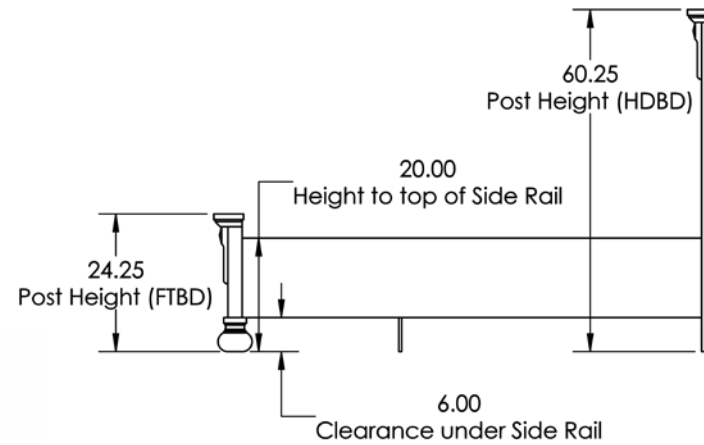
LOW FOOTBOARD



RAIL DRAWERS



FOOTBOARD DRAWERS



Roxanne

Collection





Smaller in stature than some of our other beds, the Roxanne is ideal for a guest room. Intricate post detail, grooves, moldings, and panels create its appealing look. These same features carry over to the complete collection, creating what feels like a very feminine bedroom set.

Brown Maple w/ FC 10901 Golden Brown
Hardware: 2370 PWT

Roxanne

Additional Pieces Not Shown: 9 Drawer Dresser, 5 Drawer Chest,
1 Drawer Night Stand



Bed



7 Drawer Dresser

62"W x 35.5"H x 21"D



6 Drawer Chest

39"W x 54.75"H x 21"D



3 Drawer Night Stand

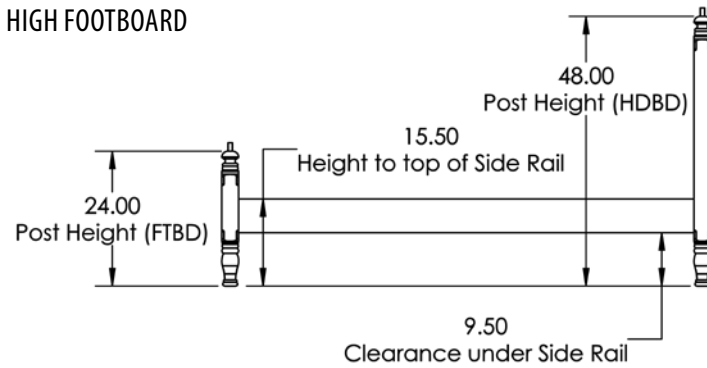
24.5"W x 29.5"H x 19"D

Roxanne Bed Dimensions

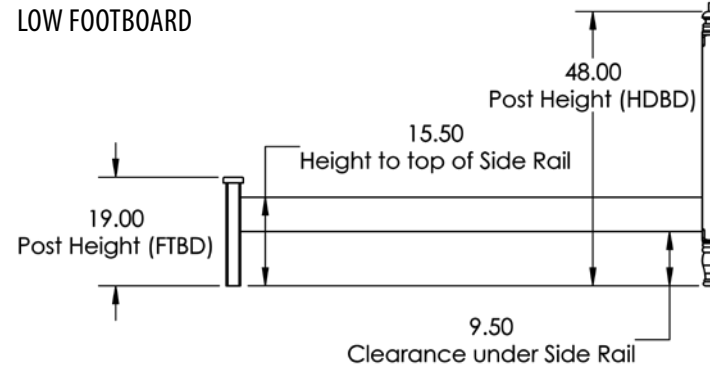
Twin = 43" W x 82" L
Full = 58" W x 82" L

Queen = 64" W x 87" L
King = 80" W x 87" L

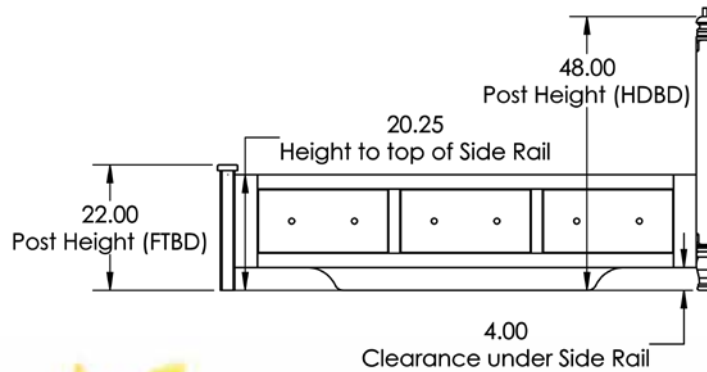
HIGH FOOTBOARD



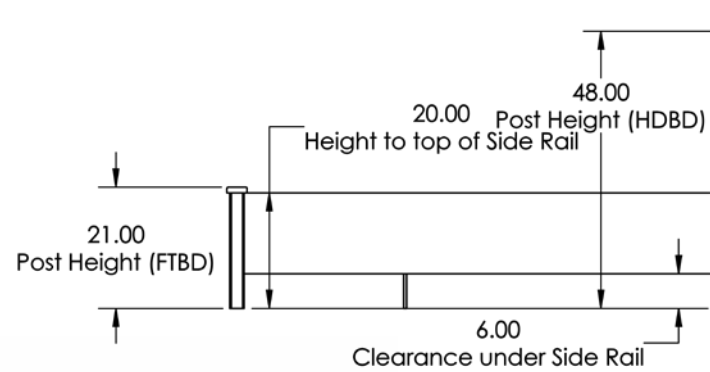
LOW FOOTBOARD



RAIL DRAWERS



FOOTBOARD DRAWERS



Stanton

Collection



This collection is part of the Quick Ship Program!





Featuring unique bun feet and traditional sleigh bed headboard styling, the Stanton Collection features antiqued-style drawer pulls and smooth, rounded corners on all of the case goods. What's even better is that this beautiful collection is available as part of Briarwood's Quick Ship Program, which means it ships in just 10 days! Shown here with optional footboard drawers and finished in Chocolate Spice, allowing the natural characteristics of the wood to show through.

Sap Cherry w/ FC-9090 Chocolate Spice

Hardware: K87-B & K88-B

Stanton

Items shown in Sap Cherry. Additional Pieces Not Shown: 7 Drawer Dresser, 5 Drawer Chest, 1 Drawer Night Stand.



Stanton Panel Bed shown with optional footboard drawers. Quick Ship is available for standard panel headboard and drawer footboard only.

Bed

Refer to our price book for items available through the Quick Ship Program.



9 Drawer Dresser

61.5"W x 44"H x 19.25"D



6 Drawer Chest

36"W x 54"H x 19.25"D



3 Drawer Night Stand

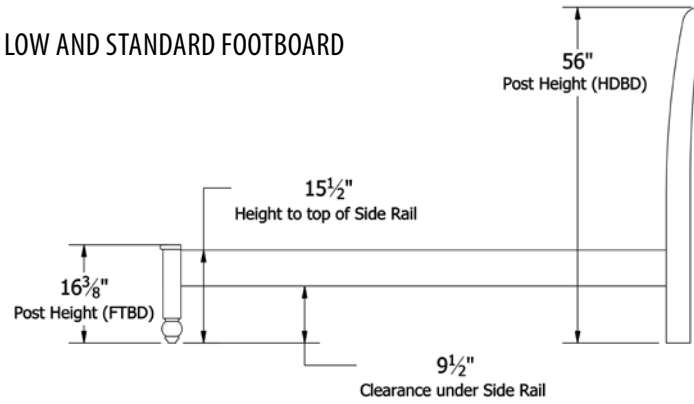
23.5"W x 28"H x 17.25"D

Stanton Bed Dimensions

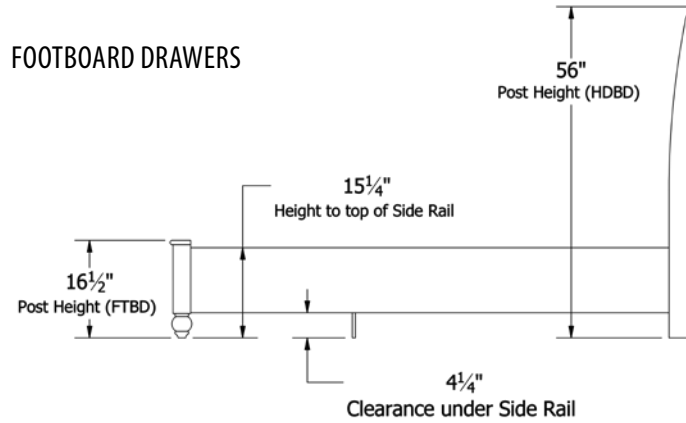
Twin = 44¹/₄" W x 85" L
Full = 59¹/₄" W x 85" L

Queen = 65¹/₄" W x 92" L
King = 81¹/₄" W x 92" L

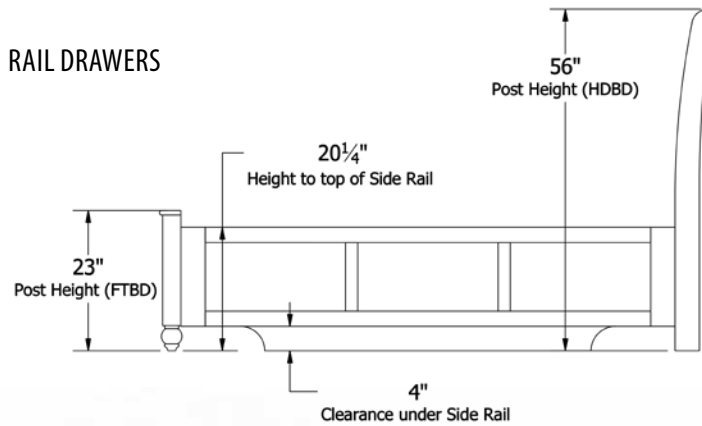
LOW AND STANDARD FOOTBOARD



FOOTBOARD DRAWERS



RAIL DRAWERS



Savannah

Collection



This collection is part of the Quick Ship Program!





The Savannah collection includes a classic panel bed, but the set has a modern, lived-in feel that is full of character. As part of our Quick Ship Program, this set ships in just 10 days! It is also available at a very attractive price point, making the Savannah an excellent combination of charm, quality, and value!

Brown Maple w/ OCS-117 Asbury
Hardware: 36607-ORB & 36601-ORB

Savannah

Additional Pieces Not Shown: 7 Drawer Dresser, 5 Drawer Chest, 1 Drawer Night Stand

Refer to our price book for items available through the Quick Ship Program.



Bed

Quick Ship includes King or Queen Beds with Low Footboard



9 Drawer Dresser

64.5"W x 43"H x 19"D



6 Drawer Chest

41"W x 53" H x 19"D



3 Drawer Night Stand

26.5"W x 26"H x 17"D

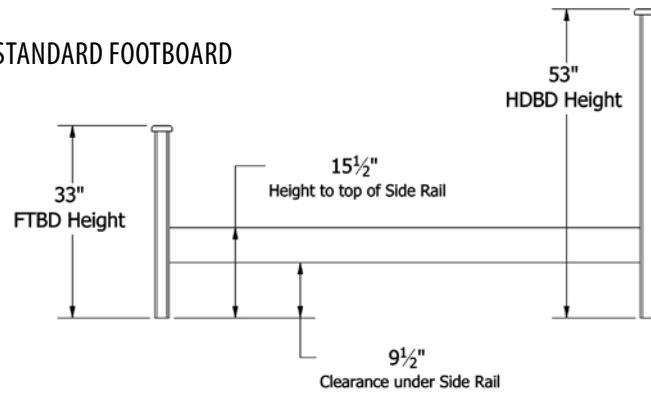
Savannah

Bed Dimensions

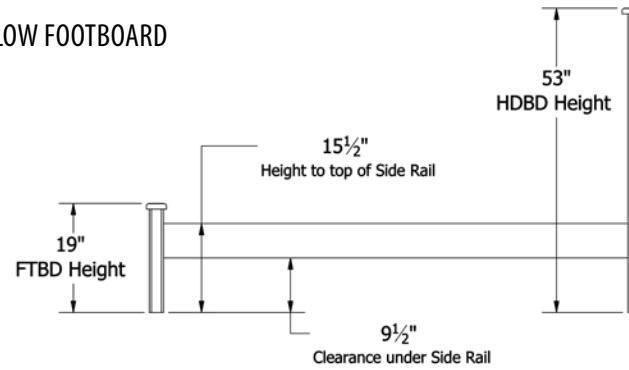
Twin = 45" W x 81" L
 Full = 60" W x 81" L

Queen = 66" W x 86" L
 King = 82" W x 86" L

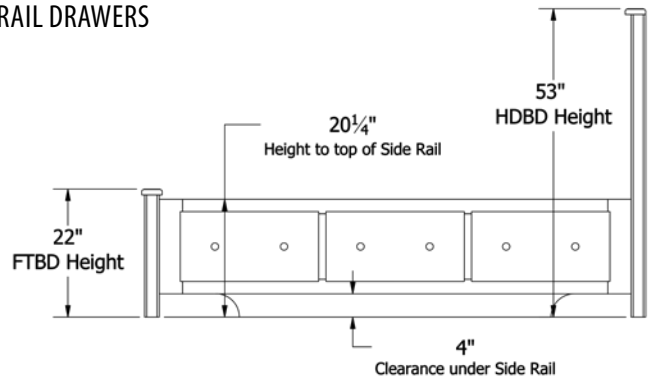
STANDARD FOOTBOARD



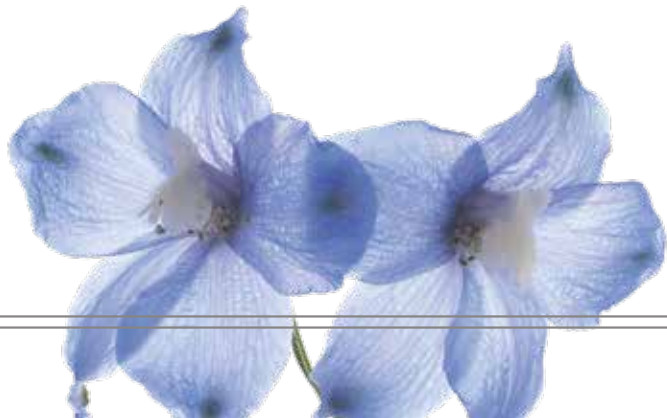
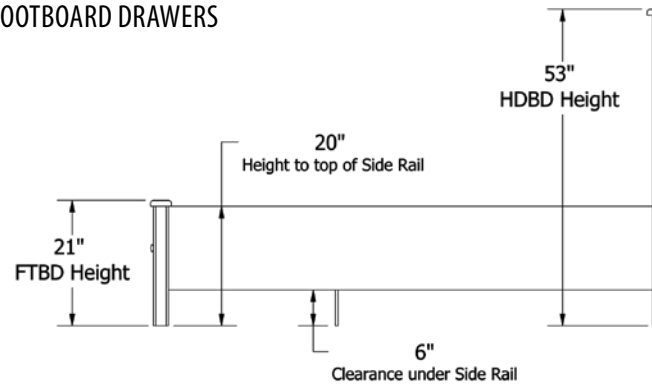
LOW FOOTBOARD



RAIL DRAWERS



FOOTBOARD DRAWERS



Cottage Grove

Collection





The Cottage Grove collection will invite you in and remind you of a peaceful morning by the seashore, or a cool night in a cabin. The individual plank-style construction of the headboard and footboard draws its cues from times gone by, when craftsmanship truly mattered. The traditional looking bun feet and teardrop antiqued brass hardware add to the classic styling while the two-tone finish, accented by Brown Maple tops and precisely crafted inset drawers add a modern twist.

Brown Maple w/Pecan finish on tops, Swiss Coffee on Base
Hardware: P3191 DAC

Cottage Grove

Additional Pieces Not Shown: 7 Drawer Dresser, 6 Drawer Chest, 5 Drawer Chest, 1 Drawer Night Stand



Bed



9 Drawer Dresser
61.5"W x 44.25"H x 19.5"D



Gentleman's Chest
45"W x 46.75"H x 19.5"D



3 Drawer Night Stand
23.5"W x 28.25"H x 17.75"D

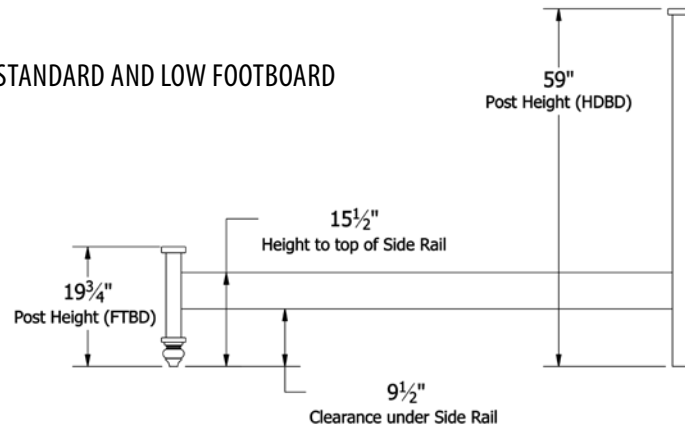
Cottage Grove

Bed Dimensions

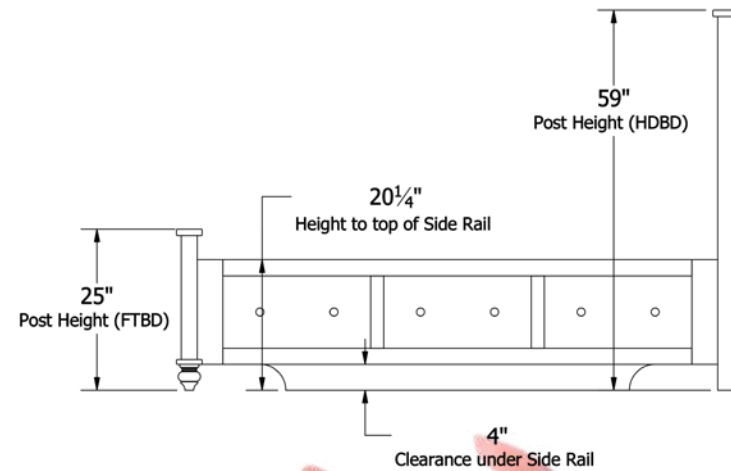
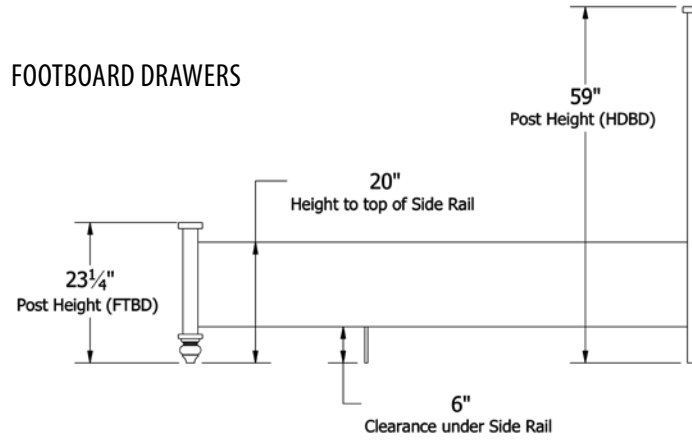
Twin = 44¹/₄" W x 82¹/₂" L
 Full = 59¹/₂" W x 82¹/₂" L

Queen = 65¹/₂" W x 87¹/₂" L
 King = 81¹/₂" W x 87¹/₂" L

STANDARD AND LOW FOOTBOARD



FOOTBOARD DRAWERS



Carla Elizabeth

Collection





With an intriguing blend of industrial, rustic and traditional styling, the Carla Elizabeth Collection features antiqued-style drawer pulls, wrought-look metal rod accents on all pieces and smooth, rounded corners on the hand-planed tops of the case goods and headboard/footboard. Additionally, the set allows the natural characteristics of the wood to show through, further adding to the warm, inviting look of this collection.

Rustic Quartersawn White Oak w/ FC-10901 Golden Brown 10-Sheen Hardware: K58BL & K558 BL

Carla Elizabeth

Additional Pieces Not Shown: 7 Drawer Dresser, 5 Drawer Chest



Bed



9 Drawer Dresser

63.5"W x 45"H x 19.75"D



Lingerie Chest

25.5"W x 55"H x 19.75"D



6 Drawer Chest*

40.25"W x 56"H x 19.75"D



3 Drawer Night Stand

25.5"W x 30"H x 17.75"D



1 Drawer Night Stand*

25.5"W x 30"H x 17.75"D

*Shown in Brown Maple w/S40788

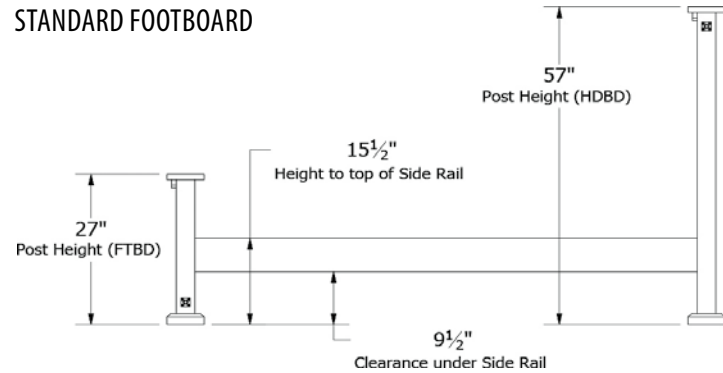
Carla Elizabeth

Bed Dimensions

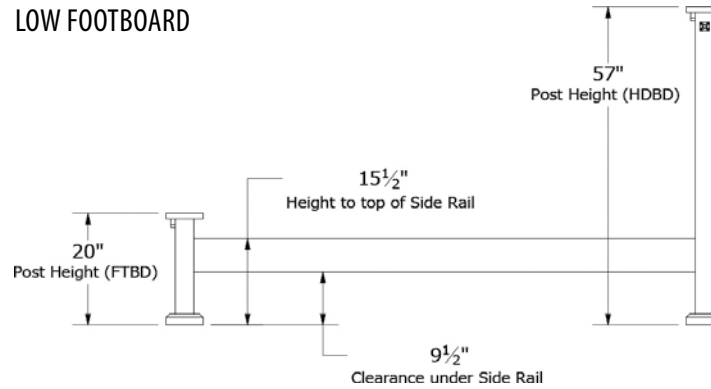
Twin = 45³/₄" W x 85" L
 Full = 60³/₄" W x 85" L

Queen = 66³/₄" W x 90" L
 King = 82³/₄" W x 90" L

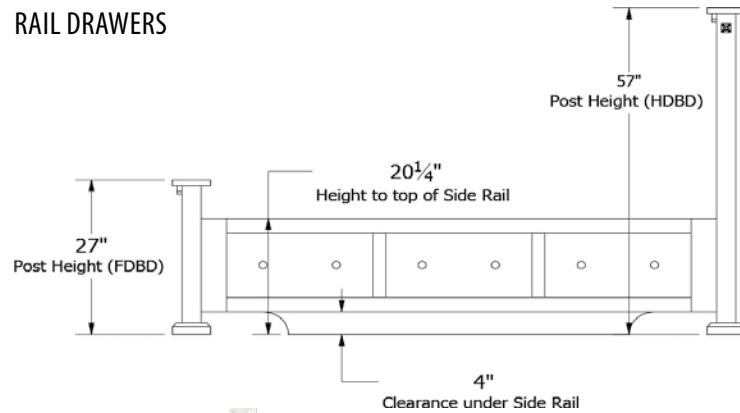
STANDARD FOOTBOARD



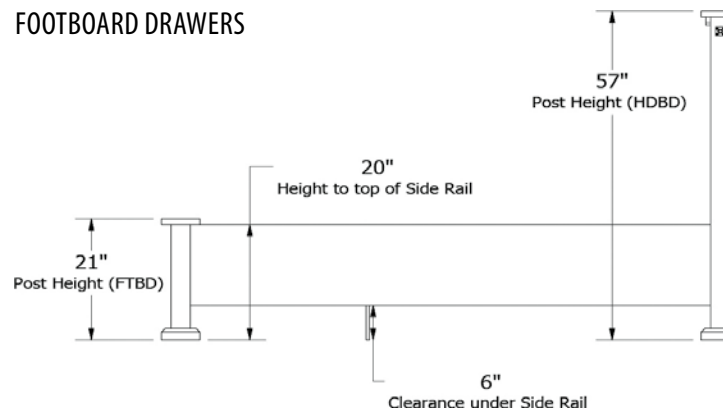
LOW FOOTBOARD



RAIL DRAWERS

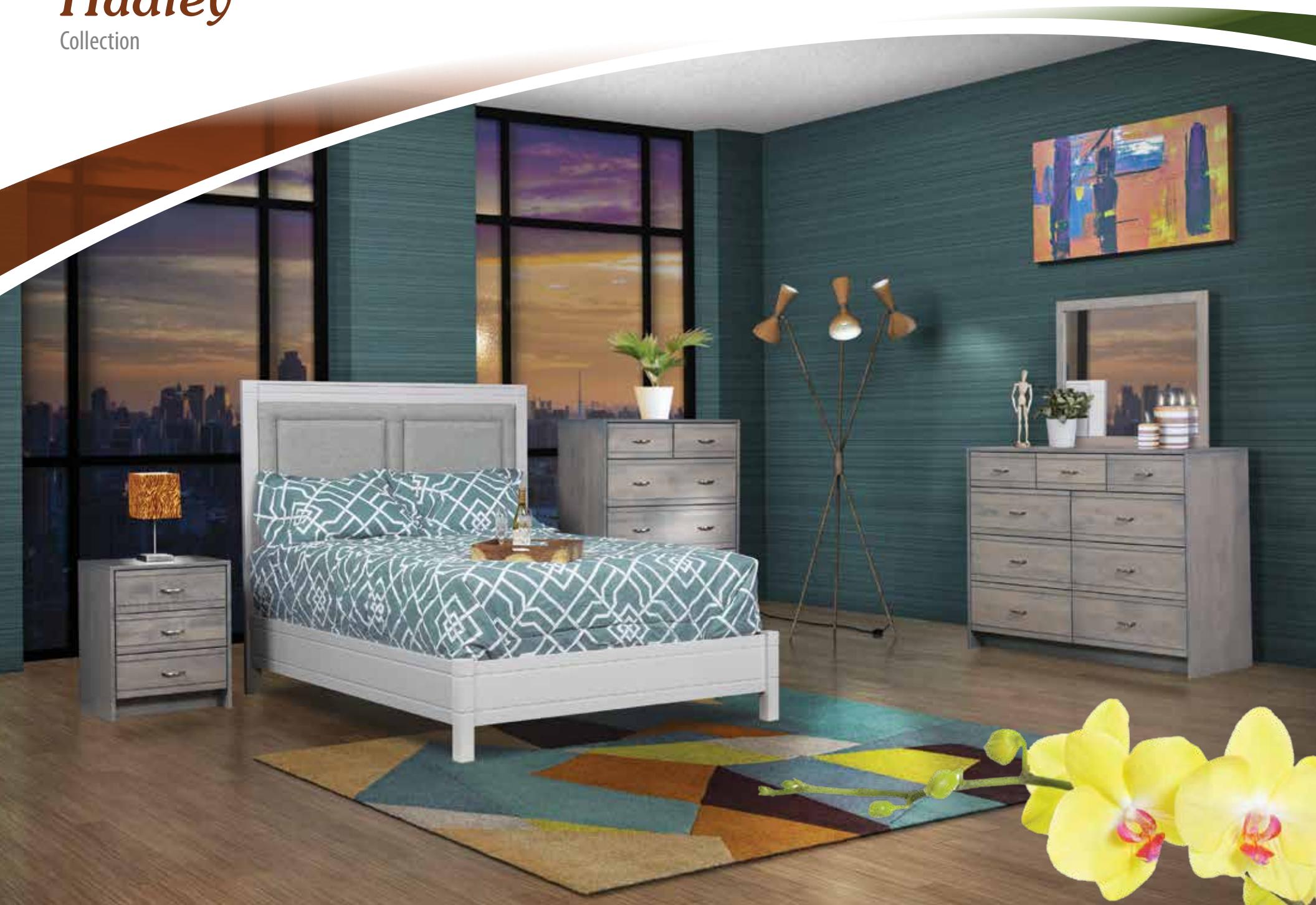


FOOTBOARD DRAWERS



Hadley

Collection





The Hadley Collection features a striking contrast of colors with “Tin Man Gray” shown on the case goods, and Oz Gray on the bed. Inset drawers and sleek, modern hardware provide more contemporary cues, as do the accent lines on the bed and case goods. The headboard also showcases a layered fabric insert, for added comfort and style. With the optional USB ports you can easily charge your mobile devices while you sleep.

Brown Maple: Bed 300-043; Cases 300-042
Hardware: 52720 G10 Fabric: 2081B-Brook

Hadley

Additional Pieces Not Shown: 7 Drawer Dresser, 5 Drawer Chest



Bed



9 Drawer Dresser

60"W x 42.5"H x 18.5"D



6 Drawer Chest

36.5"W x 52.5"H x 18.5"D



6 Drawer Chest

36.5"W x 52.5"H x 18.5"D



3 Drawer
Night Stand

22"W x 26.5"H x 16.5"D



1 Drawer, 1 Door
Night Stand

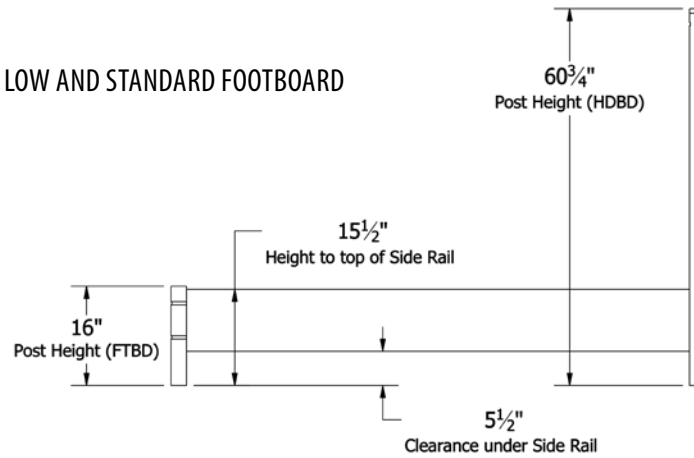
22"W x 26.5"H x 16.5"D

Hadley Bed Dimensions

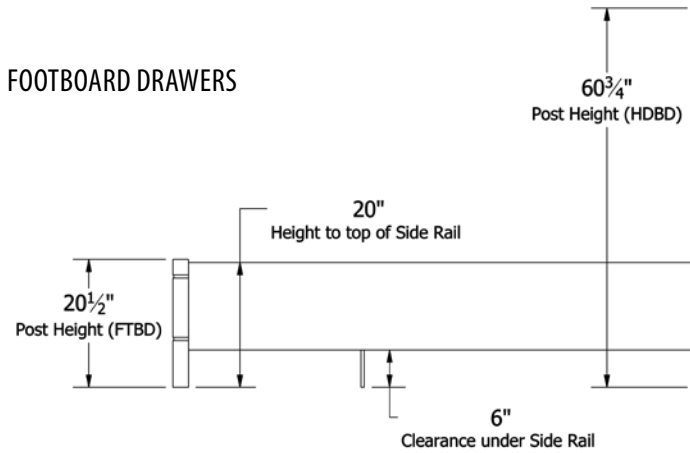
Twin = 43" W x 80" L
Full = 58" W x 80" L

Queen = 64" W x 85" L
King = 80" W x 85" L

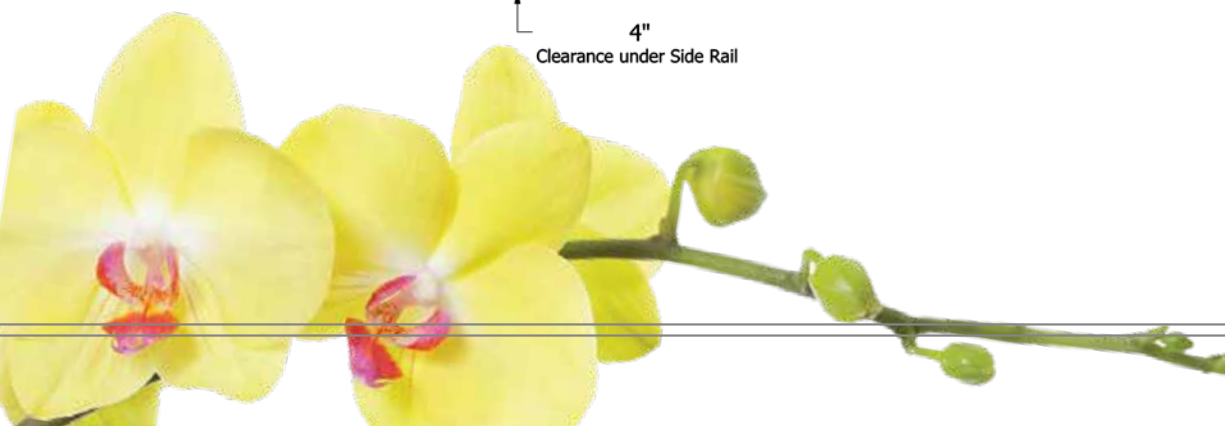
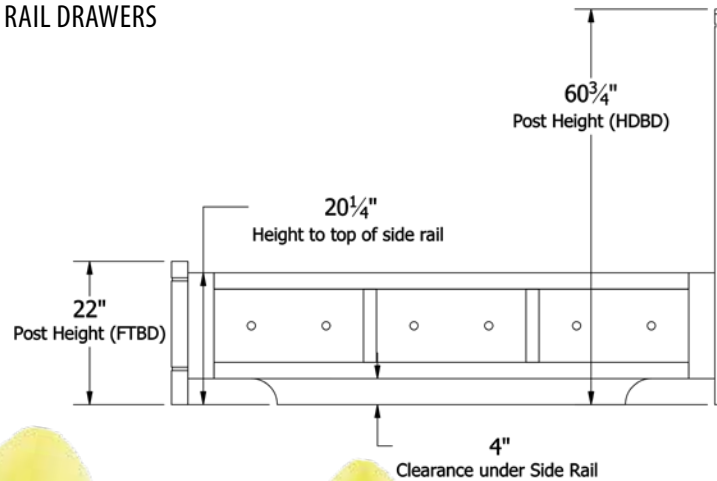
LOW AND STANDARD FOOTBOARD



FOOTBOARD DRAWERS



RAIL DRAWERS



Newberry Panel

Bed



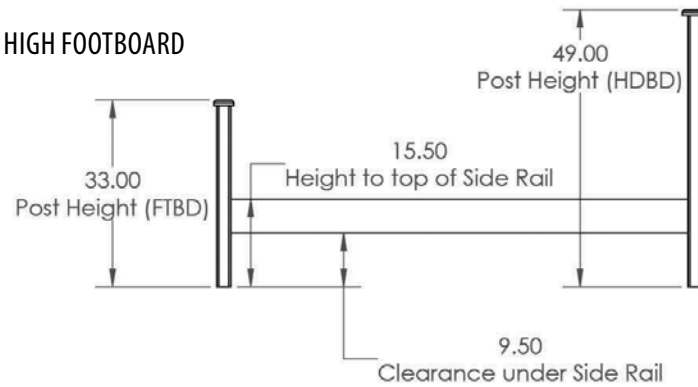
Newberry Panel

Bed Dimensions

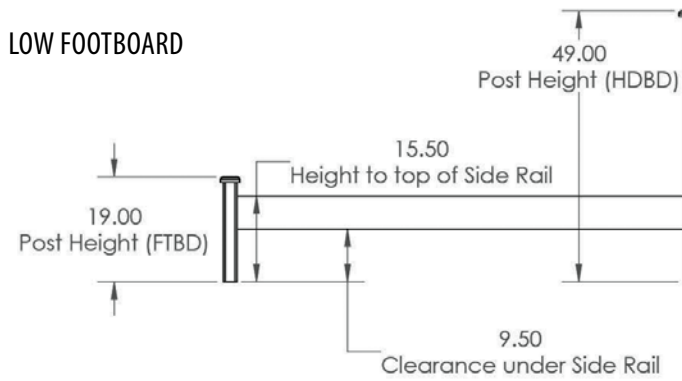
Twin = 45"W x 83"L
Full = 60"W x 83"L

Queen = 66"W x 88"L
King = 82"W x 88"L

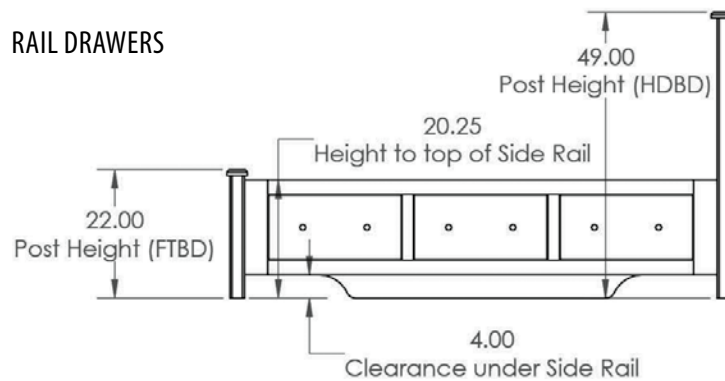
HIGH FOOTBOARD



LOW FOOTBOARD



RAIL DRAWERS



FOOTBOARD DRAWERS



The classic styling of this panel bed looks great as a standalone element or when combined with the complete Newberry Collection.

Pencil Post

Bed

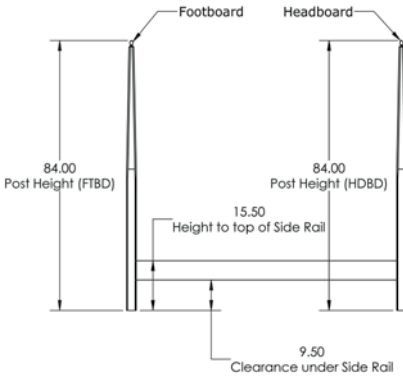


Pencil Post Bed Dimensions

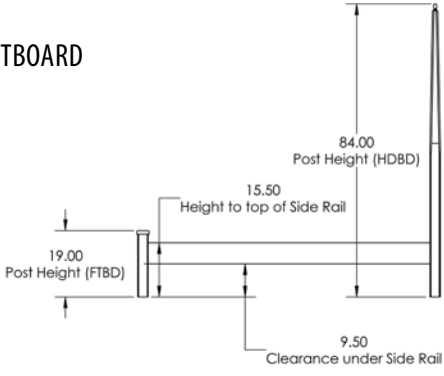
Twin = 43"W x 82"L
Full = 58"W x 82"L

Queen = 64"W x 87"L
King = 80"W x 87"L

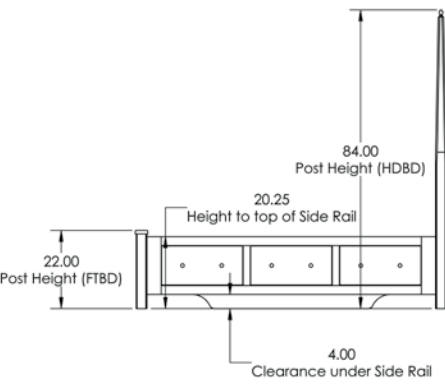
HIGH FOOTBOARD



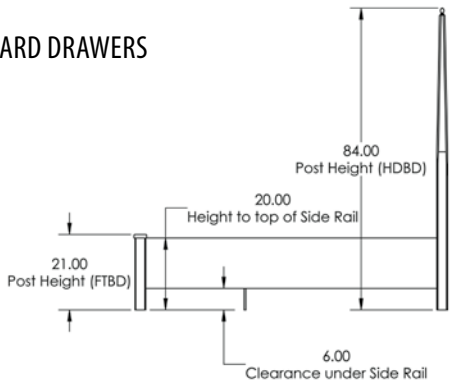
LOW FOOTBOARD



RAIL DRAWERS



FOOTBOARD DRAWERS



The timeless Shaker styling of our Pencil Post bed has been a part of fine interior styling for centuries. Available with or without a canopy top, this bed will continue to be in style for centuries to come. This bed is right at home when combined with our complete Marshfield Collection.

Bayshore

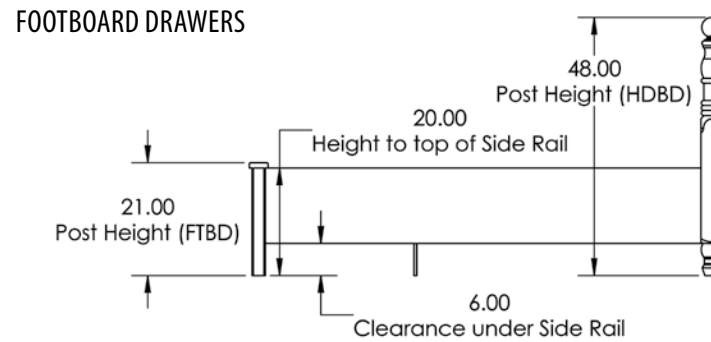
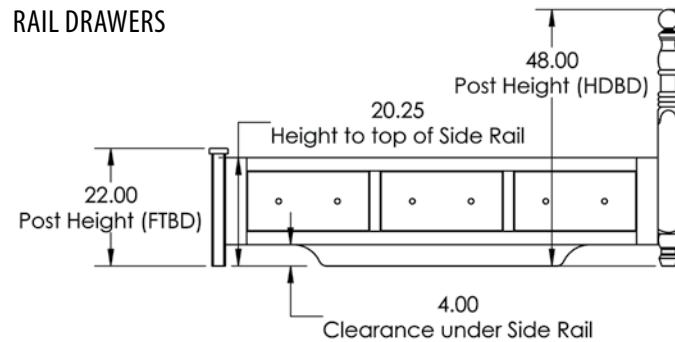
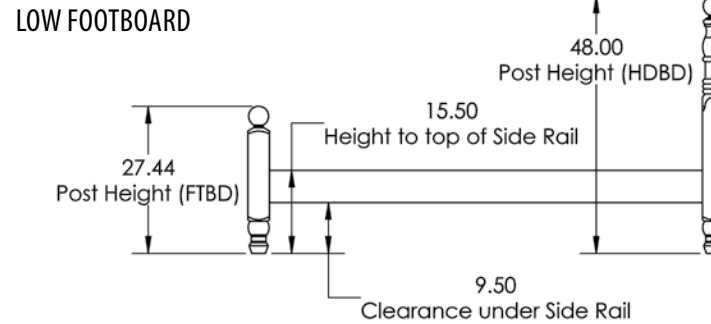
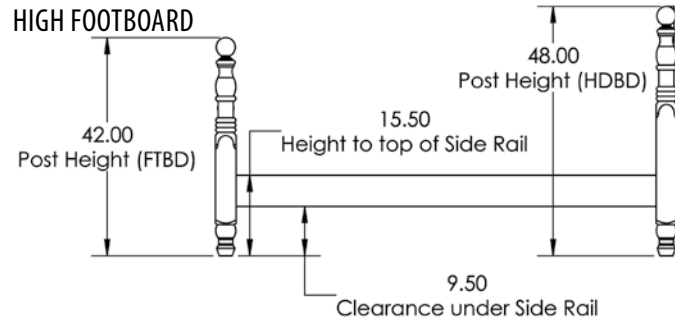
Bed



Bayshore Bed Dimensions

Twin = 44" W x 84" L
Full = 59" W x 84" L

Queen = 65" W x 89" L
King = 81" W x 89" L



Old-fashioned cannonball posts turned from 4" lumber combine with the headboard to create a casual combination of curves and straight edges. Bold enough for your master suite, yet refined enough to be right at home in a secondary or guest room. This bed can easily be paired with the complete Roxanne Collection.



Santa Rosa

Bed



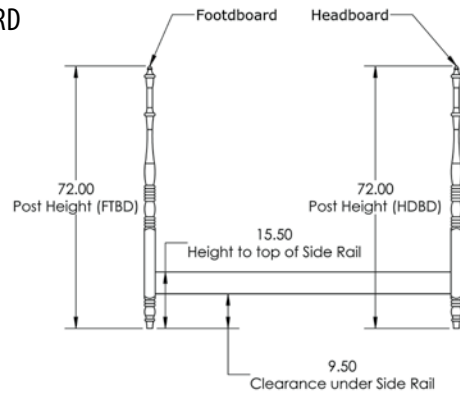
Santa Rosa

Bed Dimensions

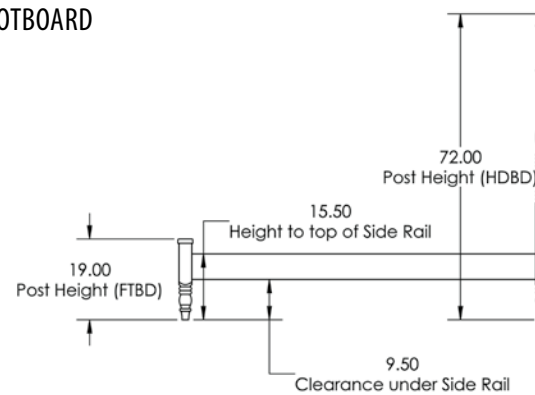
Twin = 43" W x 82" L
 Full = 58" W x 82" L

Queen = 64" W x 87" L
 King = 80" W x 87" L

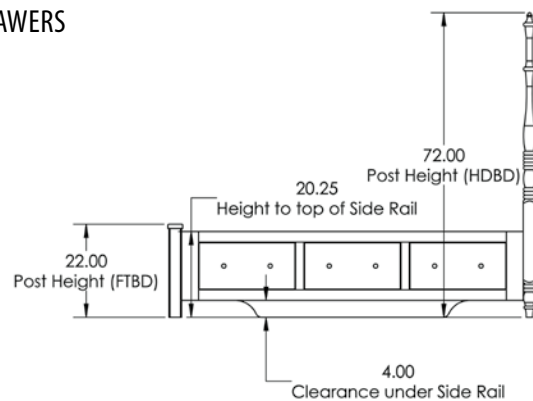
HIGH FOOTBOARD



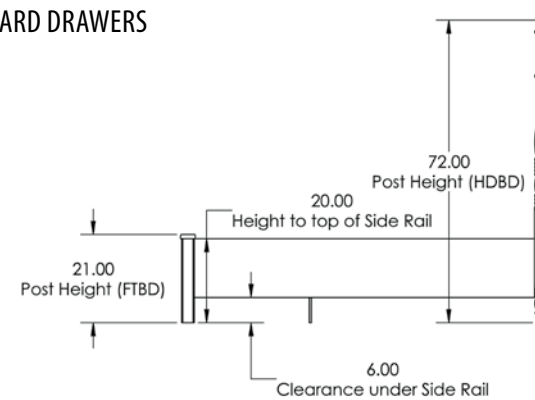
LOW FOOTBOARD



RAIL DRAWERS



FOOTBOARD DRAWERS



A classic American design, the Santa Rosa features tall beaded posts and easy curves in the headboard. The high blanket rail on the footboard allows your bedding to be properly displayed. This bed is sure to capture your eye, and can also be paired with the complete Roxanne Collection.

Classic Mission

Bed



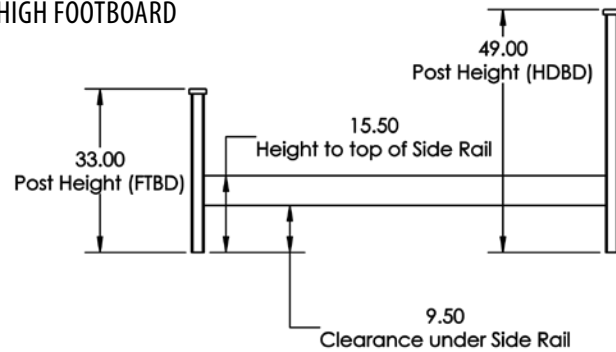
Classic Mission

Bed Dimensions

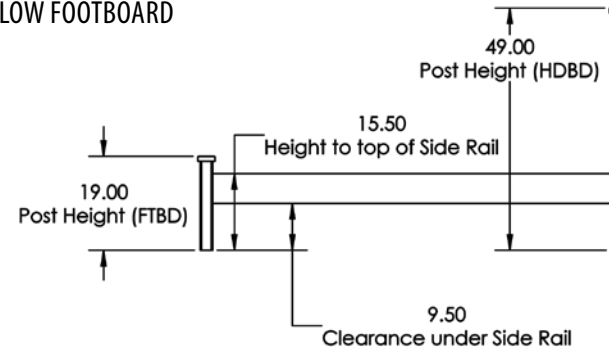
Twin = 45" W x 83" L
Full = 60" W x 83" L

Queen = 66" W x 88" L
King = 82" W x 88" L

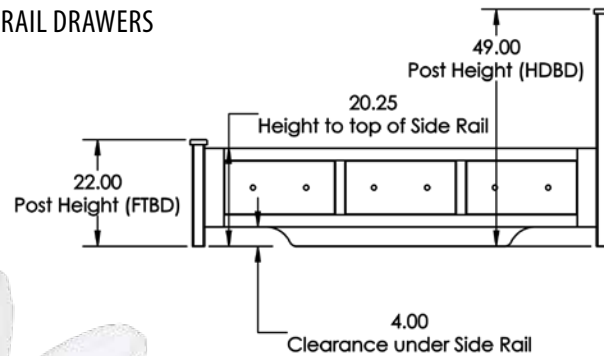
HIGH FOOTBOARD



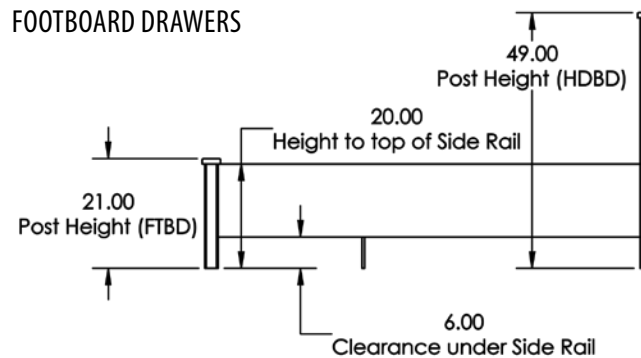
LOW FOOTBOARD



RAIL DRAWERS



FOOTBOARD DRAWERS



The name says it all. This bed is smaller in stature than our Grand Haven Mission. Its timeless design is lasting and proven, and looks right at home with the entire Mission Collection.

Centura

Bed

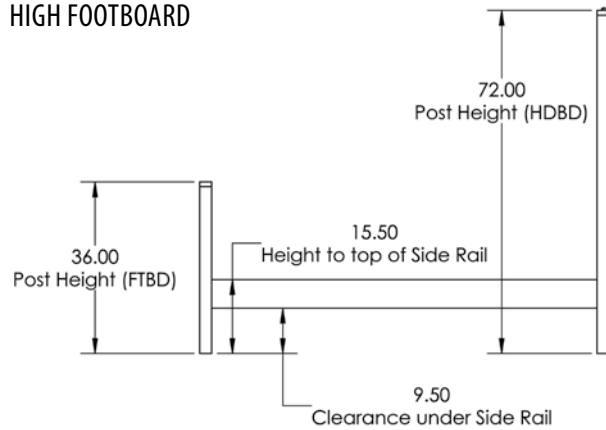


Centura Bed Dimensions

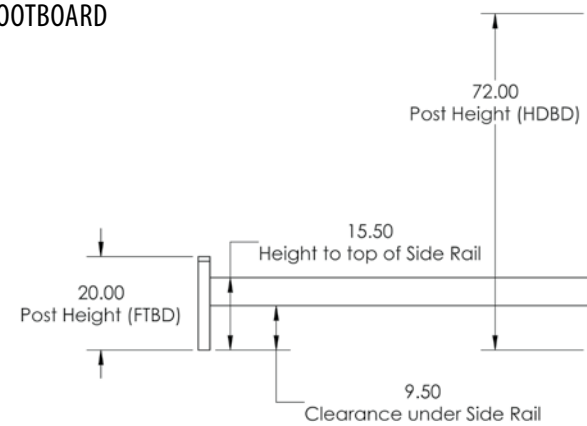
Twin = 43"W x 81" L
Full = 58"W x 81" L

Queen = 64"W x 86" L
King = 80"W x 86" L

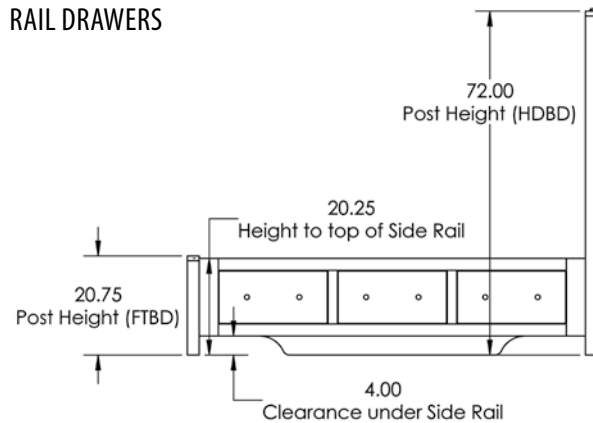
HIGH FOOTBOARD



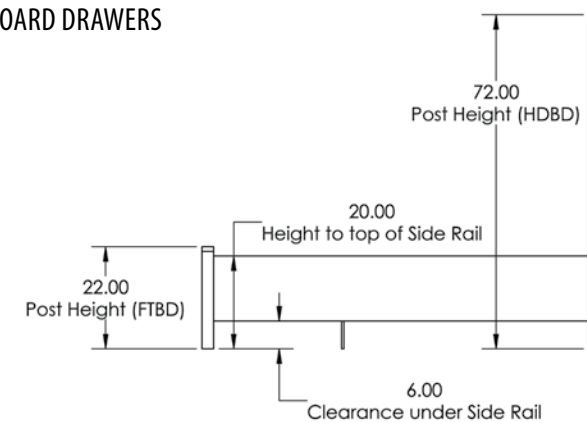
LOW FOOTBOARD



RAIL DRAWERS



FOOTBOARD DRAWERS



Dating back to the turn of the century, the Centura's tall headboard has always made a statement. Inserts in the head and footboards allow a tremendous amount of wood to show. If you like wood beds, the Centura may be just the bed for your master suite.

Millcreek

Bed

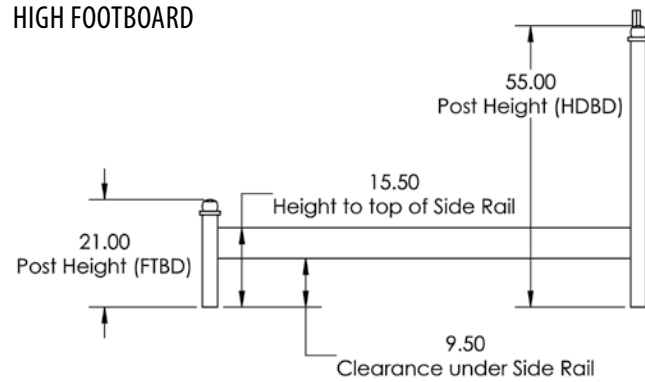


Millcreek Bed Dimensions

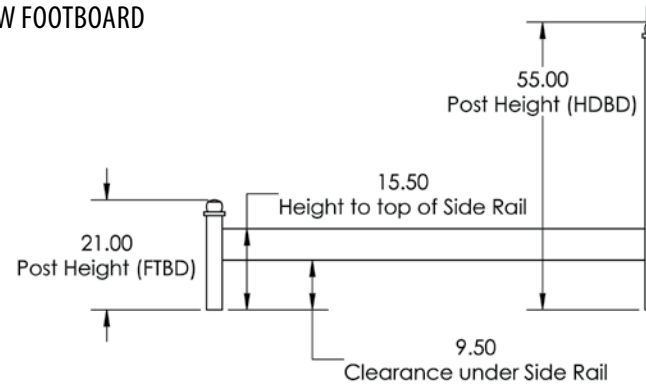
Twin = 43"W x 82"L
Full = 58"W x 82"L

Queen = 64"W x 87"L
King = 80"W x 87"L

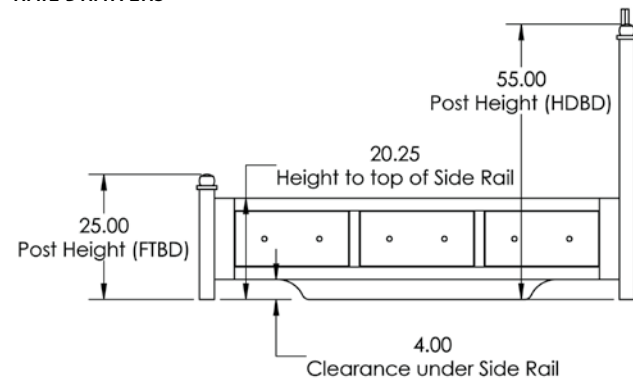
HIGH FOOTBOARD



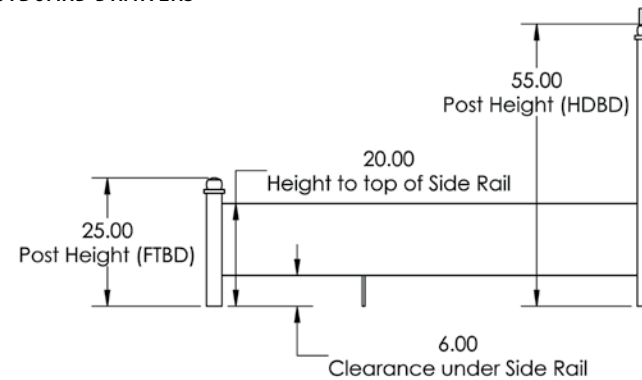
LOW FOOTBOARD



RAIL DRAWERS



FOOTBOARD DRAWERS



The rustic look of this bed is evident in its vertical distressed planking in the angled panel. Its low footboard, with a planking cross piece, finish out the design, and prove that not everything has to be straight and smooth to be beautiful.



Camp Teton Bunk



Twin Over Twin
45" W x 82" L x 70" tall

Twin Over Full
60" W x 82" L x 70" tall

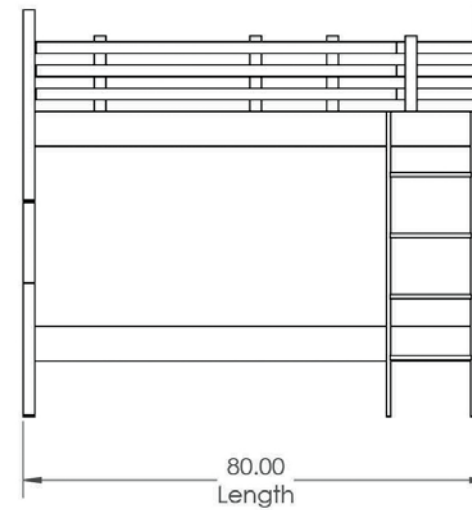
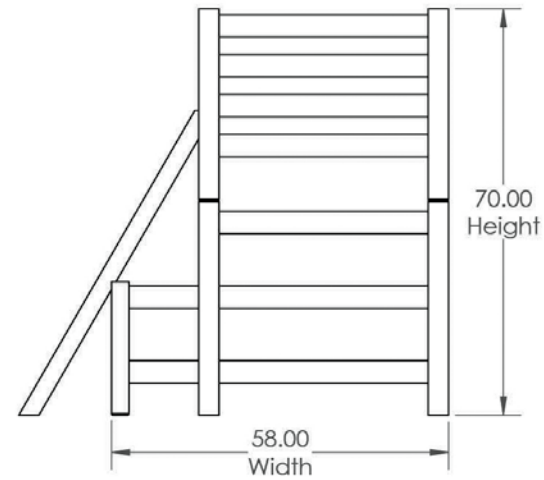


The Camp Teton Bunk Bed is a slightly simpler and lighter design when compared to some of our other bunks. However, this design has proven to be highly adaptable. Excellent for a kids' room and proven in the hospitality industry.

Camp Teton Bunk

Bed Dimensions

Twin Over Full



Colonial Bunk



Colonial Bunk

Bed Dimensions

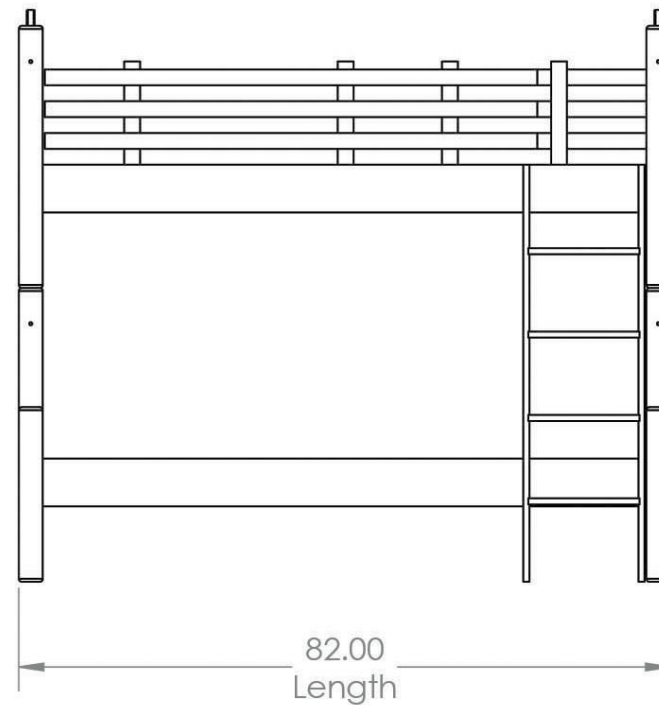
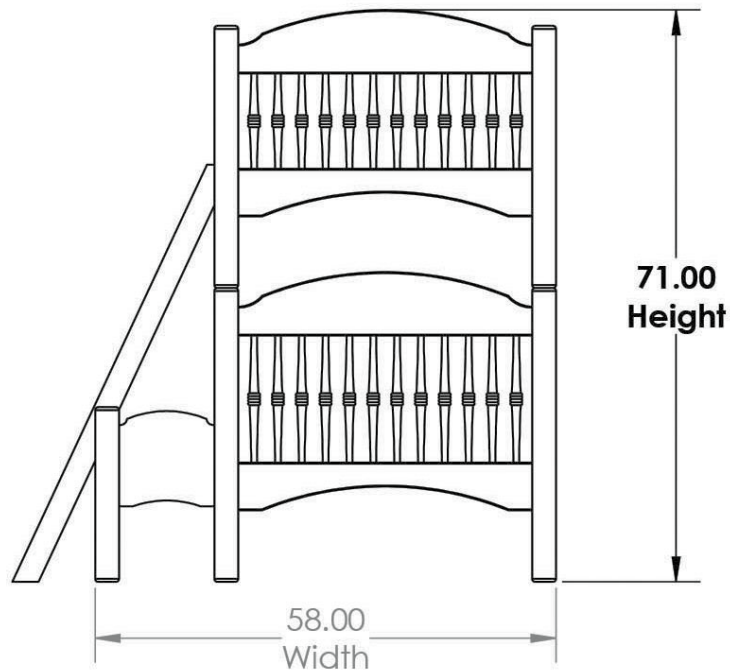
Twin Over Twin

43"W x 82"L x 71" tall

Twin Over Full

58"W x 82"L x 71" tall

Twin Over Full



Where casual and traditional meet, you'll find the square posts, turned spindles and slightly arched top and bottom of our Colonial Bunk Bed.



Classic Mission Bunk



Classic Mission Bunk

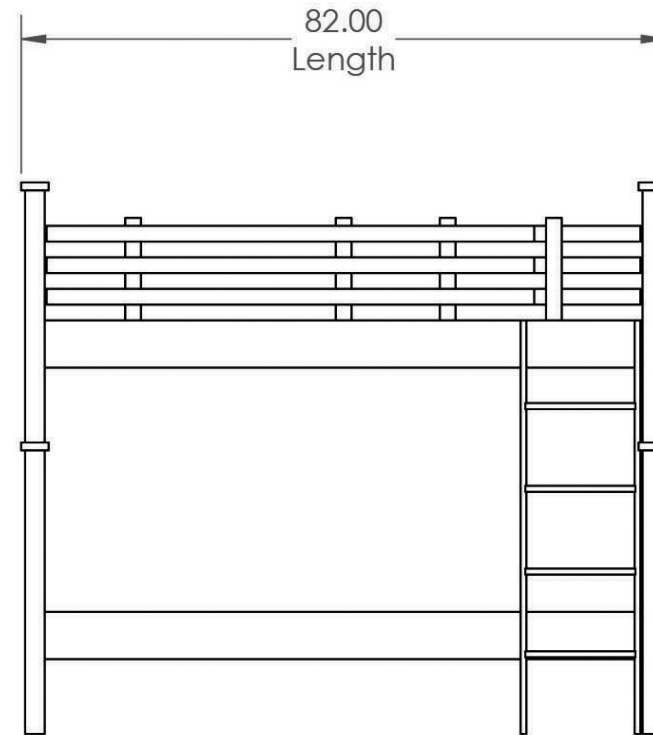
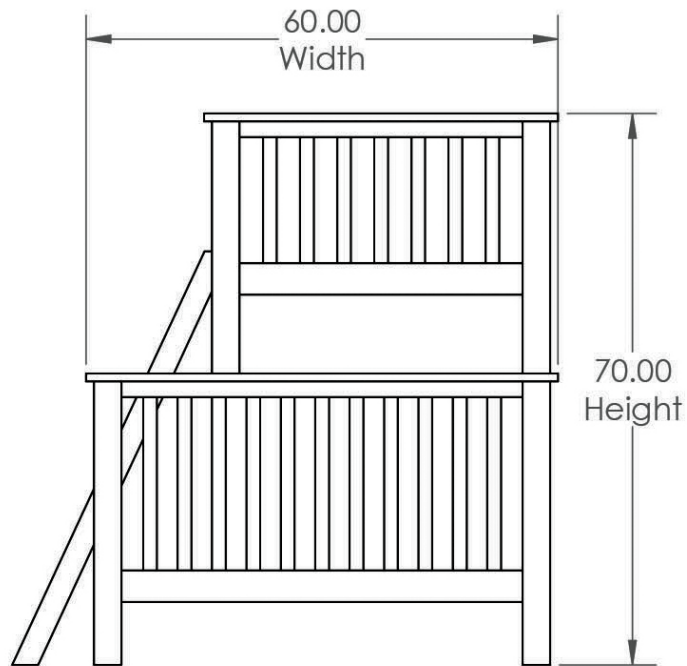
Bed Dimensions

Twin Over Twin

46"W x 82"L x 70" tall

Twin Over Full

60"W x 82"L x 70" tall



Bunk beds are a great solution when you don't have a lot of extra space. Not to mention they are a lot of fun for the kids. Extending the Classic Mission style into bunk beds was only natural.

Cape Cod Bunk



Cape Cod Bunk

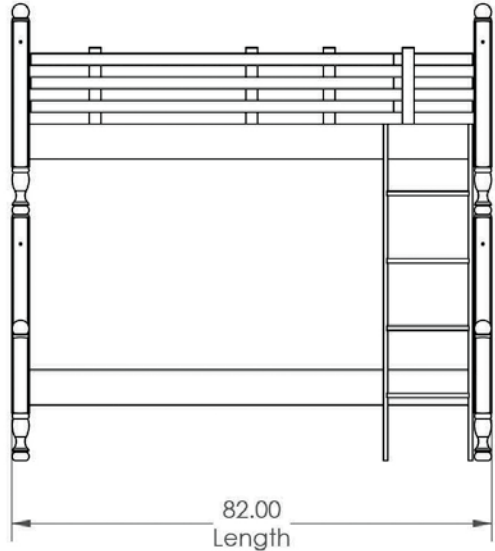
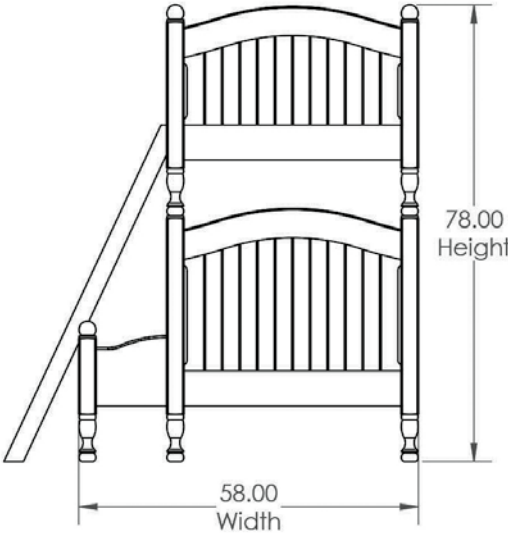
Bed Dimensions

Twin Over Twin
43" W x 82" L x 78" tall

Twin Over Full
58" W x 82" L x 78" tall



Twin Over Full

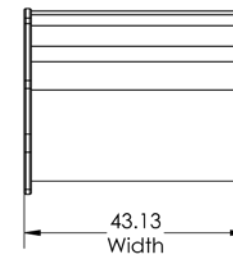
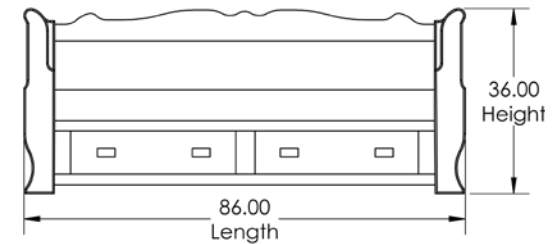


This is the ultimate bunk bed. Built, maybe even overbuilt, to handle years of hard use. This bed gets its style from extra thick cross pieces and grooved solid wood panels. Accented with detailed turnings on the posts, the Cape Cod makes a statement in any child's room.



Lyndale

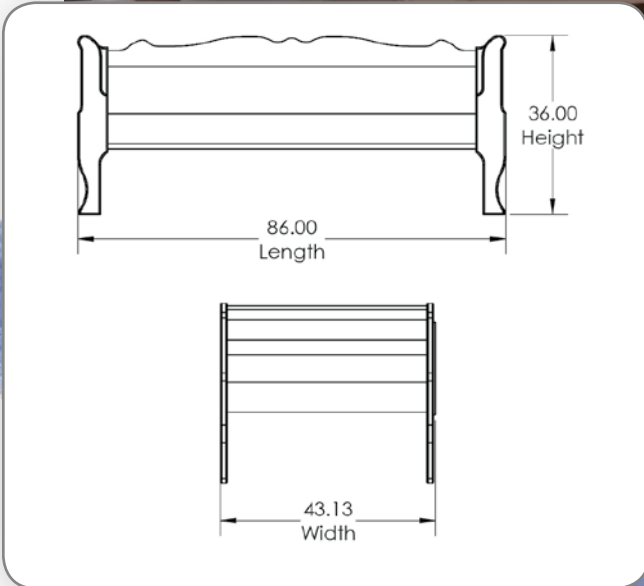
Daybed with Drawers



Like the original Lyndale Day Bed, our NEW version with drawers represents lasting beauty and great versatility. Whether you are sitting, sleeping, or just plain relaxing, our day bed is designed for ultimate comfort and style. And the spacious drawers provides storage for those items you'll need to maximize the experience!

Lyndale

Daybed



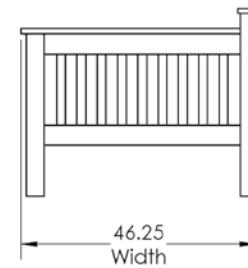
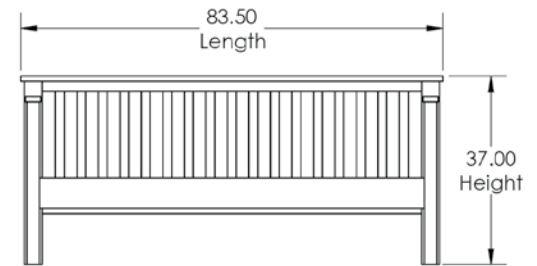
The Lyndale Day Bed represents lasting beauty and great versatility. Whether you are sitting, sleeping, or just plain relaxing, our day bed is designed for ultimate comfort and style. Sleepovers are not a problem, either. Simply add a matching trundle that neatly tucks away under your day bed and pull it out as needed.

Classic Mission

Daybed

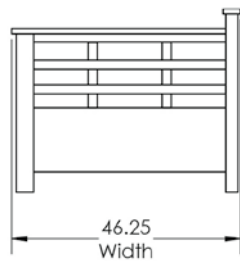
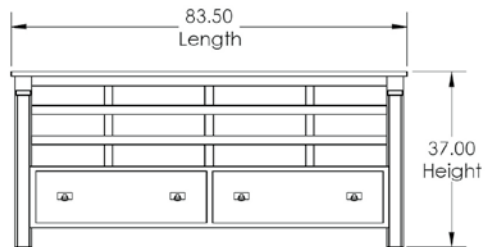


Continuing in the Classic Mission line, this daybed offers all the style and versatility you need from a daybed. A matching trundle is also available.



Addison

Daybed



A modern design featuring strong horizontal lines with just a hint of classic mission. Two large drawers offer a lot of storage rarely found in a daybed.

This daybed is sure to get attention.

Charlotte

Daybed



A definite blend of traditional design with accents from today's most refreshing styles. Charlotte's Daybed features beautifully turned feet and post caps blended with vertical flat panel sides and back. The daybed is shown with a tasteful mix of paint and glazing that offsets the traditional black drawer pulls. A perfect addition to any bedroom or common area needing extra seating, lounging area or sleeping space.



Bed Seats

Complete your bedroom with a bed seat from Briarwood. These high quality seats provide a comfortable place for you to sit as you prepare to start your day, or get into bed. We offer bed seats for many of our most popular designs.



Laural Hill Bed Seat



Bayshore Bed Seat

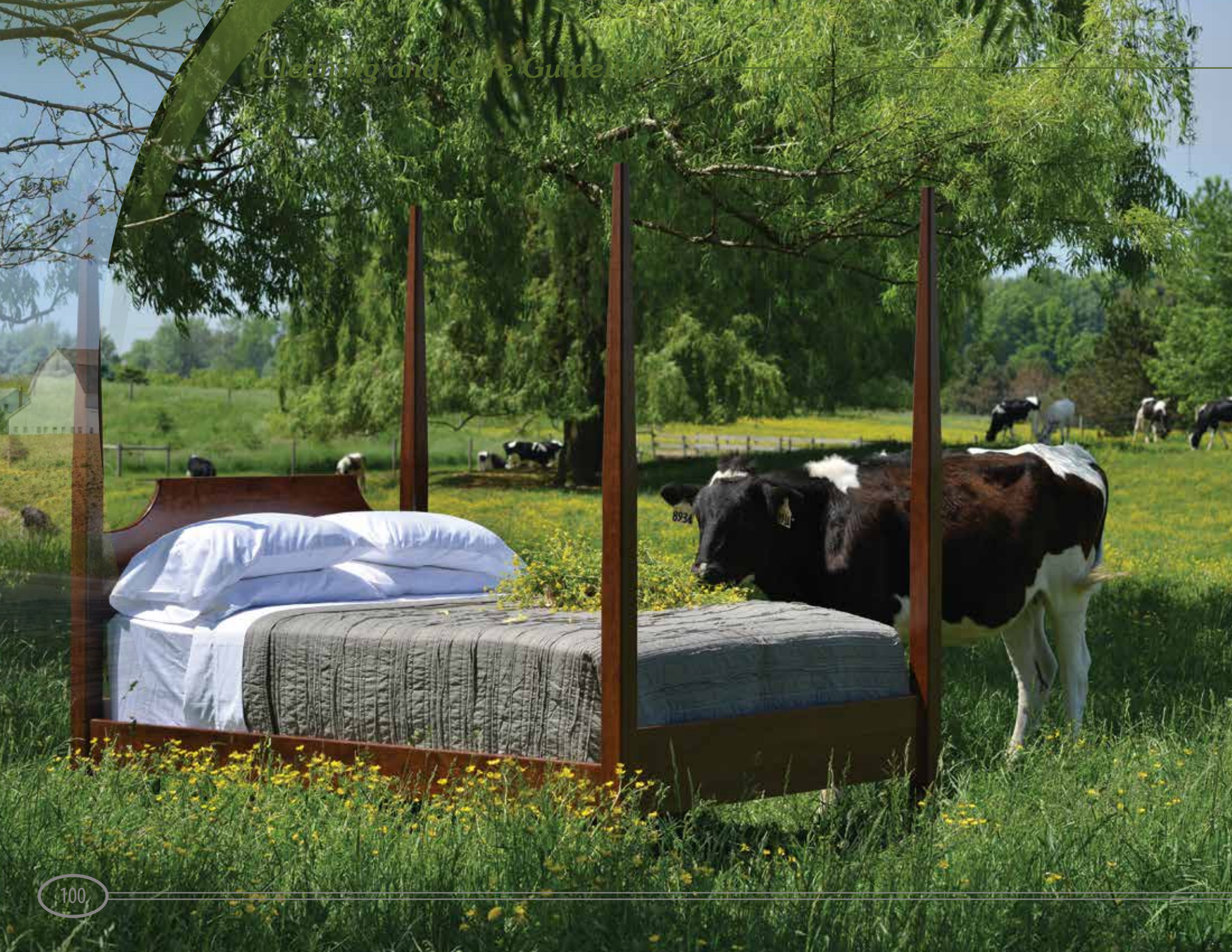


Lyndale Bed Seat



Classic Mission Bed Seat





Cleaning and Care Guidelines

Solid hardwood is the most durable and beautiful material from which to craft fine furniture, but even hardwood needs protection. Briarwood Furniture is proud to use Woodwright® brand catalyzed varnishes on our furniture. These quality varnishes, along with proper care, will ensure your furniture will stay beautiful for generations. As recommended by Woodwright Quality Wood Finishing Products, here are some guidelines for caring for hardwood furniture.

CLEANING AND POLISHING

We recommend that you care for your heirloom quality furniture with Heirloom Essentials® Fine Furniture Polish & Spotless Cleanser. This cleaner is formulated to maintain the beauty and luster of furniture that has been finished with catalyzed varnish.



To remove dust, fingerprints, grease and food residue, we recommend cleaning your furniture regularly with H.E. Spotless Furniture & Glass Cleanser.

To maintain the rich luster of your furniture, polish it as often as you'd like with H.E. Fine Furniture Polish.

CLEANERS TO AVOID

Products containing silicone, wax or ammonia. Wax buildup on varnished wood will react to moisture, heat and solvents and cause hazing or blushing. Silicone will prevent varnished wood from being refinished in the future. When used repeatedly, ammonia will soften any finish and make it soft and sticky.

ABRASION AND SCRATCHING

Lift and move items across furniture rather than sliding. Put soft, protective pads underneath vases and decorative items. Keep furniture free of dust, since even small dust particles can be abrasive.

EXTREME HEAT

Do not place hot items directly on furniture. This includes not only items that have come out of the oven, but also the microwave. The average temperature from a microwave-heated dish is 211°F, while catalyzed varnish is tested to withstand temperatures up to 140°F.

SPILLS AND WATER RINGS

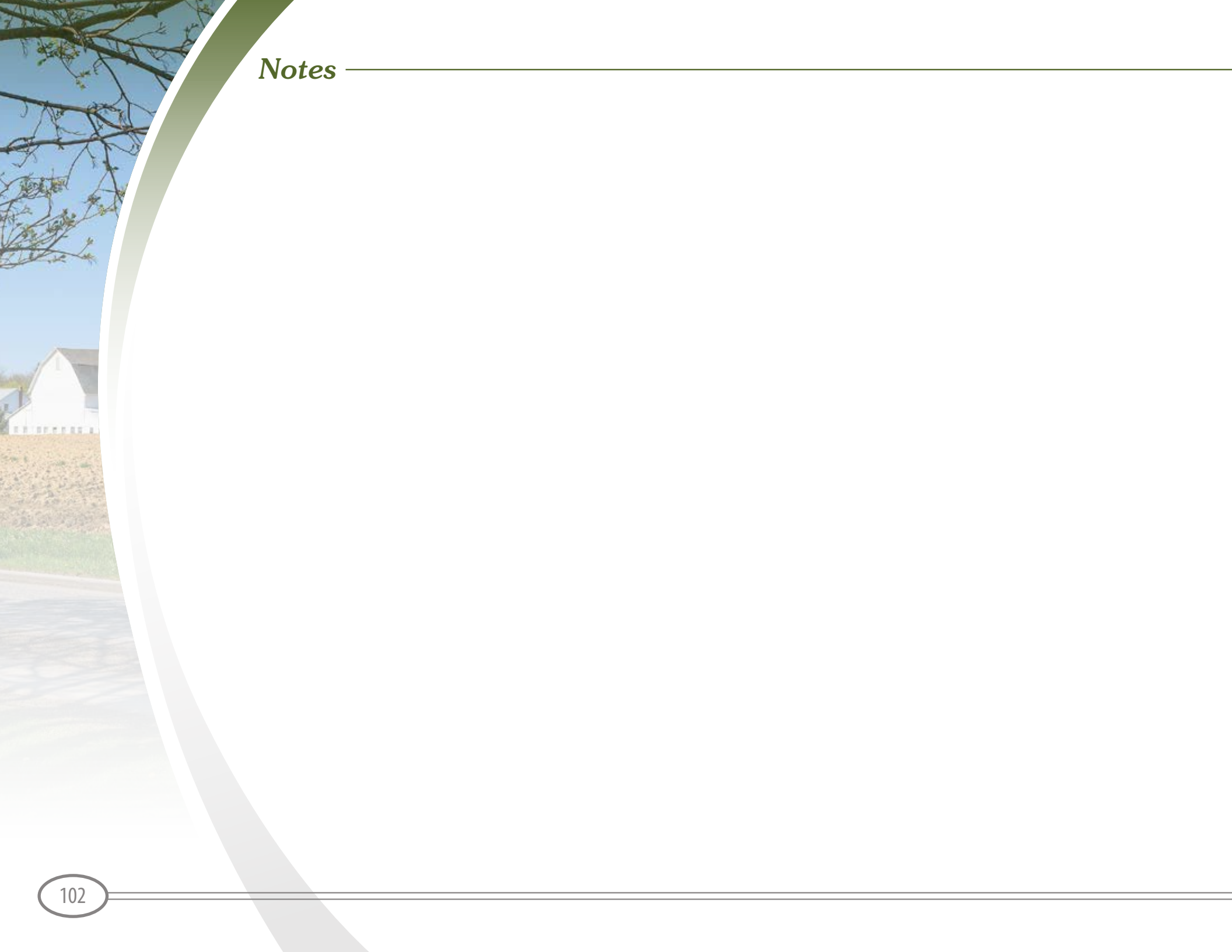
The catalyzed varnish on Briarwood's furniture helps protect the hardwood from spills and water damage, but if left for extended periods of time, it can cause discoloration. While the discoloration generally disappears over time, it's always best to blot spills and water rings immediately.

NATURAL DARKENING

Rotate place mats, table coverings and accessories regularly to prevent uneven aging when exposed to natural sunlight. Table leaves should also be rotated, since leaves stored away from sunlight will not age the same as the rest of the table. Natural or light colored wood is the most susceptible to natural darkening.

For more information on these cleaners or to become a dealer, contact Woodwright at 1.800.322.8172 or visit online at WoodwrightFinish.com.

Notes





Briarwood
building family heirlooms one bedroom at a time.

8444 TR 652 Millersburg, OH 44654

Fax: 330-359-0457, Phone: 330-359-5161

